

**ABBREVIATIONS:**

AB	ANCHOR BOLT	L	LOW
ABV	ABOVE	LB	LINK BEAM
AC	AIR CONDITIONER	LB/FT	POUNDS PER FOOT
ACI	AMERICAN CONCRETE INSTITUTE	LD	DEVELOPMENT LENGTH
ADDL	ADDITIONAL	LG	LONG
ADJ	ADJACENT	LL	LIVE LOAD
AFF	ABOVE FINISHED FLOOR	LLRS	LATERAL LOAD RESISTING SYSTEM
AISC	AMERICAN INSTITUTE OF STEEL CONSTRUCTION	LP	LOW POINT
ALT	ALTERNATE ALUM ALUMINUM	LRFD	LOAD RESISTANCE FACTOR DESIGN
ANCH	ANCHOR	LT	LIGHT
ANG	ANGLE	LW	LIGHT WEIGHT
APRD	APPROVED	MAX	MAXIMUM
APPROX	APPROXIMATE	MAS	MASONRY
ARCH	ARCHITECTURAL	MATER	MATERIAL
ASTM	AMERICAN SOCIETY FOR TESTING AND MATERIALS	MC	MOMENT CONNECTION
AVG	AVERAGE	MO	METAL DECK
AWG	AMERICAN WELDING SOCIETY	MECH	MECHANICAL
		MEP	MECHANICAL ELECTRICAL AND PLUMBING
B	BASE	MEZZ	MEZZANINE
BETW	BETWEEN	MF	MOMENT FRAME
BF	BRACE FRAME	MFG	MANUFACTURER
BKT	BRACKET	MIN	MINIMUM
BL	BUILDING LINE	MISC	MISCELLANEOUS
BLDG	BUILDING		
BM	BEAM		
BOTT	BOTTOM	N	NORTH
BRK	BRICK	NA	NOT APPLICABLE
B/S/STL	BOTTOM OF STEEL BOTH SIDES	NIS	NOT IN CONTRACT
		NS	NUMBER
CANT	CANTILEVER	N-S	NORTH-SOUTH
CF	CUBIC FOOT	NW	NORTH WEST
CG	CENTER OF GRAVITY		
CIP	CAST IN PLACE	O/C	ON CENTER
CJT	CONCRETE JOINT	OPNG	OPENING
CL	CENTER LINE	OPP	OPPOSITE
CLC	CELLING		
CLR	CLEAR	PC	PILE CAP
CM	CONSTRUCTION MANAGER	PF	POUNDS PER CUBIC FOOT
CMU	CONCRETE MASONRY UNITS	PL	PLATE
COL	COLUMN	PL	POUNDS PER LINEAR FOOT
CONC	CONCRETE	PS	POUNDS PER SQUARE FOOT
COND	CONDITIONS	PSI	POUNDS PER SQUARE INCH
CONN	CONNECTION	PT	POST TENSION
CONST	CONSTRUCTIONS	RC	REINFORCED CONCRETE
CONT	CONTAINERS	REF	REFERENCE
CONTR	CONTRACTOR	REFOR	REINFORCEMENT
COORD	COORDINATE	REQ'D	REQUIRED
COVR	CORRUGATED	RFT	REQUEST FOR INFORMATION
CY	CUBIC YARD		
		S	SOUTH
DEMO	DEMOLITION	SB	SPANDREL BEAM
DEPT	DEPARTMENT	SCHED	SCHEDULE
DIA	DIAMETER	SECT	SECTION
DIM	DIMENSION	SF	SQUARE FOOT
DIR	DIRECTION	SHT	SHEET
DN	DOWN	SL	SLAB
DWL	DOWEL	SPA	SPACING
DWG	DRAWING	SPEC	SPECIFICATIONS
		ST	STEEL
E	EAST	STD	STANDARD
EA	EACH	STIFF	STIFFENER
EF	EACH FACE	STRUC	STRUCTURAL
EL	ELEVATION	SW	SHEARWALL
ELEC	ELECTRIC	SM	SMALLER
ELEV	ELEVATOR	T&B	TOP AND BOTTOM
EMBD	EMBEDMENT	THK	THICK
ENCL	ENCLOSURE	T/	TOP OF
ENR	ENGINEER OF RECORD	TED	TO BE DETERMINED
EOS	EDGE OF SLAB	TEMP	TEMPORARY
EP	EMBEDDED PLATE	TSP	TONS PER SQUARE FOOT
EQ	EQUAL	TYP	TYPICAL
EQUIP	EQUIPMENT	U	UNLESS OTHERWISE NOTED
ETC	ETCETERA	U	UPTURNED BEAM
E-W	EAST WEST		
EXIST	EXISTING	VERT	VERTICAL
EXP	EXPANSION EXP	VERT	VERTICAL IN FIELD
		W	WEST
EXT	EXPANSION JOINT	W/	WITH
EXTN	EXTENSION	W/D	WITH OUT
EXTER	EXTERIOR	WF	WIDE FLANGE
FL	FLOOR	WP	WORKING POINT
FND	FOUNDATION	WPC	WATER PROOFING
FOB	FACE OF BUILDING	WS	WATER STOP
FP	FIRE PROOFING	WT	WIND TRUSS
FT	FOOTING	WWF	WELDED WIRE FABRIC
FTG	FOOTING		
		C	CENTERLINE
GA	GAUGE	A	ANGLE
GALV	GALVANIZED	#	AND
GC	GENERAL CONTRACTOR	Ø	DIAMETER
GB	GRADE BEAM		AT
GRG	GRATING		
GYP	BO GYPSUM BOARD		
		H	HIGH
H	HIGH	HDR	HEADER
HDR	HEADER	HGT	HEIGHT
HCT	HORIZONTAL	HORIZ	HORIZONTAL
HR	HOUR	HP	HIGH POINT
HS	HIGH STRENGTH	HR	HOUR
HVAC	HEAT, VENTILATION & AIR CONDITIONING	HT	HEIGHT
		HT	HORIZONTAL
		HP	HIGH POINT
		HR	HOUR
		HT	HEIGHT
		HORIZ	HORIZONTAL
		HT	HORIZONTAL
		HP	HIGH POINT
		HR	HOUR
		HT	HEIGHT
		HORIZ	HORIZONTAL
		HT	HORIZONTAL
		HP	HIGH POINT
		HR	HOUR
		HT	HEIGHT
		HORIZ	HORIZONTAL
		HT	HORIZONTAL
		HP	HIGH POINT
		HR	HOUR
		HT	HEIGHT
		HORIZ	HORIZONTAL
		HT	HORIZONTAL
		HP	HIGH POINT
		HR	HOUR
		HT	HEIGHT
		HORIZ	HORIZONTAL
		HT	HORIZONTAL
		HP	HIGH POINT
		HR	HOUR
		HT	HEIGHT
		HORIZ	HORIZONTAL
		HT	HORIZONTAL
		HP	HIGH POINT
		HR	HOUR
		HT	HEIGHT
		HORIZ	HORIZONTAL
		HT	HORIZONTAL
		HP	HIGH POINT
		HR	HOUR
		HT	HEIGHT
		HORIZ	HORIZONTAL
		HT	HORIZONTAL
		HP	HIGH POINT
		HR	HOUR
		HT	HEIGHT
		HORIZ	HORIZONTAL
		HT	HORIZONTAL
		HP	HIGH POINT
		HR	HOUR
		HT	HEIGHT
		HORIZ	HORIZONTAL
		HT	HORIZONTAL
		HP	HIGH POINT
		HR	HOUR
		HT	HEIGHT
		HORIZ	HORIZONTAL
		HT	HORIZONTAL
		HP	HIGH POINT
		HR	HOUR
		HT	HEIGHT
		HORIZ	HORIZONTAL
		HT	HORIZONTAL
		HP	HIGH POINT
		HR	HOUR
		HT	HEIGHT
		HORIZ	HORIZONTAL
		HT	HORIZONTAL
		HP	HIGH POINT
		HR	HOUR
		HT	HEIGHT
		HORIZ	HORIZONTAL
		HT	HORIZONTAL
		HP	HIGH POINT
		HR	HOUR
		HT	HEIGHT
		HORIZ	HORIZONTAL
		HT	HORIZONTAL
		HP	HIGH POINT
		HR	HOUR
		HT	HEIGHT
		HORIZ	HORIZONTAL
		HT	HORIZONTAL
		HP	HIGH POINT
		HR	HOUR
		HT	HEIGHT
		HORIZ	HORIZONTAL
		HT	HORIZONTAL
		HP	HIGH POINT
		HR	HOUR
		HT	HEIGHT
		HORIZ	HORIZONTAL
		HT	HORIZONTAL
		HP	HIGH POINT
		HR	HOUR
		HT	HEIGHT
		HORIZ	HORIZONTAL
		HT	HORIZONTAL
		HP	HIGH POINT
		HR	HOUR
		HT	HEIGHT
		HORIZ	HORIZONTAL
		HT	HORIZONTAL
		HP	HIGH POINT
		HR	HOUR
		HT	HEIGHT
		HORIZ	HORIZONTAL
		HT	HORIZONTAL
		HP	HIGH POINT
		HR	HOUR
		HT	HEIGHT
		HORIZ	HORIZONTAL
		HT	HORIZONTAL
		HP	HIGH POINT
		HR	HOUR
		HT	HEIGHT
		HORIZ	HORIZONTAL
		HT	HORIZONTAL
		HP	HIGH POINT
		HR	HOUR
		HT	HEIGHT
		HORIZ	HORIZONTAL
		HT	HORIZONTAL
		HP	HIGH POINT
		HR	HOUR
		HT	HEIGHT
		HORIZ	HORIZONTAL
		HT	HORIZONTAL
		HP	HIGH POINT
		HR	HOUR
		HT	HEIGHT
		HORIZ	HORIZONTAL
		HT	HORIZONTAL
		HP	HIGH POINT
		HR	HOUR
		HT	HEIGHT
		HORIZ	HORIZONTAL
		HT	HORIZONTAL
		HP	HIGH POINT
		HR	HOUR
		HT	HEIGHT
		HORIZ	HORIZONTAL
		HT	HORIZONTAL
		HP	HIGH POINT
		HR	HOUR
		HT	HEIGHT
		HORIZ	HORIZONTAL
		HT	HORIZONTAL
		HP	HIGH POINT
		HR	HOUR
		HT	HEIGHT
		HORIZ	HORIZONTAL
		HT	HORIZONTAL
		HP	HIGH POINT
		HR	HOUR
		HT	HEIGHT
		HORIZ	HORIZONTAL
		HT	HORIZONTAL
		HP	HIGH POINT
		HR	HOUR
		HT	HEIGHT
		HORIZ	HORIZONTAL
		HT	HORIZONTAL
		HP	HIGH POINT
		HR	HOUR
		HT	HEIGHT
		HORIZ	HORIZONTAL
		HT	HORIZONTAL
		HP	HIGH POINT
		HR	HOUR
		HT	HEIGHT
		HORIZ	HORIZONTAL
		HT	HORIZONTAL
		HP	HIGH POINT
		HR	HOUR
		HT	HEIGHT
		HORIZ	HORIZONTAL
		HT	HORIZONTAL
		HP	HIGH POINT
		HR	HOUR
		HT	HEIGHT
		HORIZ	HORIZONTAL
		HT	HORIZONTAL
		HP	HIGH POINT
		HR	HOUR
		HT	HEIGHT
		HORIZ	HORIZONTAL
		HT	HORIZONTAL
		HP	HIGH POINT
		HR	HOUR
		HT	HEIGHT
		HORIZ	HORIZONTAL
		HT	HORIZONTAL
		HP	HIGH POINT
		HR	HOUR
		HT	HEIGHT
		HORIZ	HORIZONTAL
		HT	HORIZONTAL
		HP	HIGH POINT
		HR	HOUR
		HT	HEIGHT
		HORIZ	HORIZONTAL
		HT	HORIZONTAL
		HP	HIGH POINT
		HR	HOUR
		HT	HEIGHT
		HORIZ	HORIZONTAL
		HT	HORIZONTAL
		HP	HIGH POINT
		HR	HOUR
		HT	HEIGHT
		HORIZ	HORIZONTAL
		HT	HORIZONTAL
		HP	HIGH POINT
		HR	HOUR
		HT	HEIGHT
		HORIZ	HORIZONTAL
		HT	HORIZONTAL
		HP	HIGH POINT
		HR	HOUR
		HT	HEIGHT
		HORIZ	HORIZONTAL
		HT	HORIZONTAL
		HP	HIGH POINT
		HR	HOUR
		HT	HEIGHT
		HORIZ	HORIZONTAL
		HT	HORIZONTAL
		HP	HIGH POINT
		HR	HOUR
		HT	HEIGHT
		HORIZ	HORIZONTAL
		HT	HORIZONTAL
		HP	HIGH POINT
		HR	HOUR
		HT	HEIGHT
		HORIZ	HORIZONTAL
		HT	HORIZONTAL
		HP	HIGH POINT
		HR	HOUR
		HT	HEIGHT
		HORIZ	HORIZONTAL
		HT	HORIZONTAL
		HP	HIGH POINT
		HR	HOUR
		HT	HEIGHT
		HORIZ	HORIZONTAL
		HT	HORIZONTAL
		HP	HIGH POINT
		HR	HOUR
		HT	HEIGHT
		HORIZ	HORIZONTAL
		HT	HORIZONTAL
		HP	HIGH POINT
		HR	HOUR
		HT	HEIGHT
		HORIZ	HORIZONTAL
		HT	HORIZONTAL
		HP	HIGH POINT
		HR	HOUR
		HT	HEIGHT
		HORIZ	HORIZONTAL
		HT	HORIZONTAL
		HP	HIGH POINT
		HR	HOUR
		HT	HEIGHT
		HORIZ	HORIZONTAL
		HT	HORIZONTAL
		HP	HIGH POINT
		HR	HOUR
		HT	HEIGHT
		HORIZ	HORIZONTAL
		HT	HORIZONTAL
		HP	HIGH POINT
		HR	HOUR
		HT	HEIGHT
		HORIZ	HORIZONTAL
		HT	HORIZONTAL
		HP	HIGH POINT
		HR	HOUR
		HT	HEIGHT
		HORIZ	HORIZONTAL
		HT	HORIZONTAL
		HP	HIGH POINT
		HR	HOUR
		HT	HEIGHT
		HORIZ	HORIZONTAL
		HT	HORIZONTAL
		HP	HIGH POINT
		HR	HOUR
		HT	HEIGHT
		HORIZ	HORIZONTAL
		HT	HORIZONTAL
		HP	HIGH POINT
		HR	HOUR
		HT	HEIGHT
		HORIZ	HORIZONTAL
		HT	HORIZONTAL
		HP	HIGH POINT
		HR	HOUR
		HT	HEIGHT
		HORIZ	HORIZONTAL
		HT	HORIZONTAL
		HP	HIGH POINT
		HR	HOUR
		HT	HEIGHT
		HORIZ	HORIZONTAL
		HT	HORIZONTAL
		HP	HIGH POINT
		HR	HOUR
		HT	HEIGHT
		HORIZ	HORIZONTAL
		HT	HORIZONTAL
		HP	HIGH POINT
		HR	HOUR
		HT	HEIGHT
		HORIZ	HORIZONTAL
		HT	HORIZONTAL
		HP	HIGH POINT
		HR	HOUR
		HT	HEIGHT
		HORIZ	HORIZONTAL
		HT	HORIZONTAL
		HP	HIGH POINT
		HR	HOUR
		HT	HEIGHT
		HORIZ	HORIZONTAL
		HT	HORIZONTAL
		HP	HIGH POINT
		HR	HOUR
		HT	HEIGHT
		HORIZ	HORIZONTAL
		HT	HORIZONTAL
		HP	HIGH POINT
		HR	HOUR
		HT	HEIGHT
		HORIZ	HORIZONTAL
		HT	HORIZONTAL
		HP	HIGH POINT
		HR	HOUR
		HT	HEIGHT
		HORIZ	HORIZONTAL
		HT	HORIZONTAL
		HP	HIGH POINT
		HR	HOUR
		HT	HEIGHT
		HORIZ	HORIZONTAL
		HT	HORIZONTAL
		HP	HIGH POINT
		HR	HOUR
		HT	HEIGHT
		HORIZ	HORIZONTAL
		HT	HORIZONTAL
		HP	HIGH POINT
		HR	HOUR
		HT	HEIGHT
		HORIZ	HORIZONTAL
		HT	HORIZONTAL
		HP	HIGH POINT
		HR	HOUR
		HT	HEIGHT

PROJECT:  
**138 EAST 50TH ST.**  
**NEW YORK, NY**

OWNER/DEVELOPER:  
**CERUZZI PROPERTIES, LLC**  
 400 PARK AVENUE, 5th FLOOR  
 NEW YORK, NY 10022  
 TEL: (212) 300-1700

ARCHITECT OF RECORD:  
**SLCEArchitects, LLP**  
 1359 BROADWAY, 14th FLOOR  
 NEW YORK, NY 10018  
 TEL: (212) 979-8400  
 FAX: (212) 979-8387

DESIGN ARCHITECT:  
**Pelli Clarke Pelli Architects**  
 322 EIGHTH AVENUE  
 NEW YORK, NY 10001  
 TEL: (212) 417-9494  
 FAX: (212) 417-9497

STRUCTURAL ENGINEER:  
**WSP**  
 228 East 45th St.  
 New York, NY 10017  
 (212) 687-9888  
 www.wspgroup.com/usa

M.E.P. ENGINEER:  
**MGE**  
 MGE Engineering D.P.C. / an engineer success  
 115 West 32nd Street, 12th Floor, New York, NY 10001  
 P: (212) 633-0055 F: (212) 633-0050 www.mgepc.net

CIVIL ENGINEER:  
**Philip Habib & Associates**  
 102 MADISON AVENUE, 11th FLOOR  
 NEW YORK, NEW YORK 10016  
 TEL: (212) 929-5656  
 FAX: (212) 929-5655

DOB EXPEDITOR:  
**JAM Consultants, Inc.**  
 104 WEST 29th STREET, 9th FLOOR  
 NEW YORK, NEW YORK 10001  
 TEL: (212) 244-4427  
 FAX: (212) 244-4497

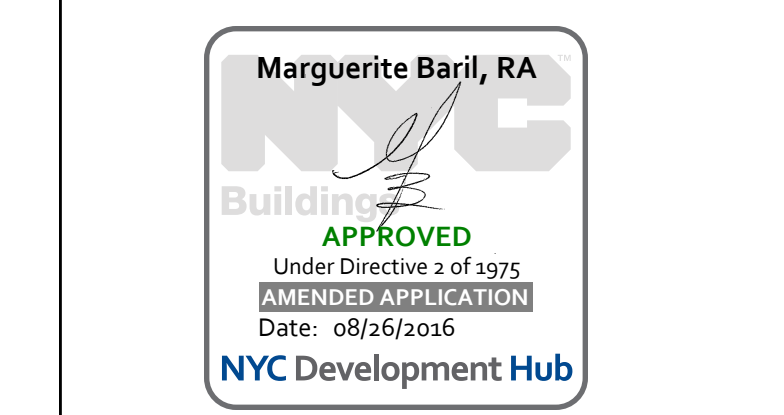
VERTICAL TRANSPORTATION CONSULTANT:  
**Jenkins & Huntington, Inc.**  
 1251 AVENUE OF THE AMERICAS  
 NEW YORK, NEW YORK 10020  
 TEL: (212) 696-1818  
 FAX: (212) 696-4528

ZONING CONSULTANT:  
**Development Consulting Services**  
 330 WEST 42ND STREET  
 NEW YORK, NEW YORK 10036  
 TEL: (212) 714-0285  
 FAX: (212) 714-0283

EXTERIOR WALL CONSULTANT:  
**Vidaris, Incorporated**  
 340 PARK AVENUE SOUTH, 15th FL.  
 NEW YORK, NEW YORK 10010  
 TEL: (212) 689-3389

REVISIONS:

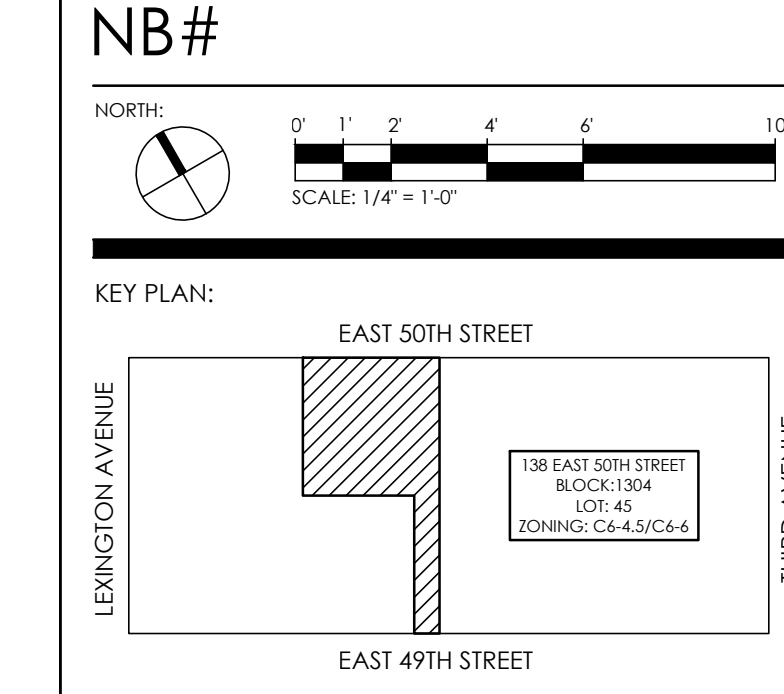
03-18-16	ISSUE TO DOB
02-10-16	REVISED SUPERSTRUCTURE
02-08-16	REVISED FOUNDATION FOR CONSTRUCTION
02-03-16	REVISED SUPERSTRUCTURE
02-03-16	ISSUE FOUNDATION FOR CONSTRUCTION
11-17-15	REVISED SUPERSTRUCTURE FOR BID
09-30-15	ISSUE TO 1A
DATE:	REVISION:



D.O.B. NUMBER: **NB#**

WORKS:

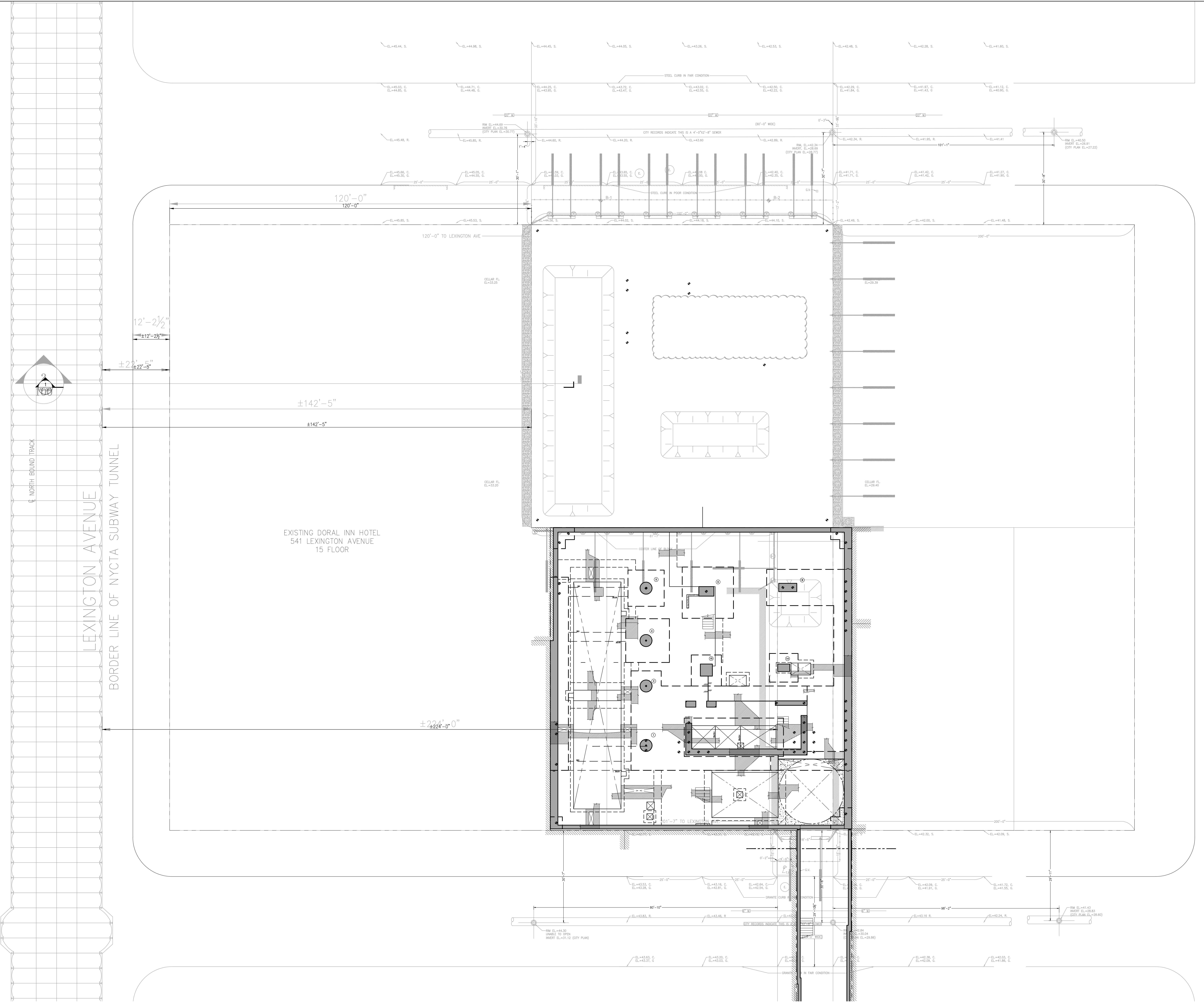
SCALE: 1/8" = 1'-0"



PROJECT:  
**138 EAST 50TH STREET**  
**NEW YORK, N.Y.**

DRAWING TITLE:  
**FOUNDATION (SUB-CELLAR) PLAN**

SEAL & SIGNATURE: DATE: 05/14/2015  
 PROJECT No.: 1990031  
 DRAWN BY: CASO  
 CHECKED BY: CS  
 DWG. No.: **FO-010.00**  
 SHEET No.: of 0



**1** FOUNDATION (SUB-CELLAR) PLAN  
 SCALE: 3/32" = 1'-0"

OWNER/DEVELOPER:  
**CERUZZI PROPERTIES, LLC**  
 400 PARK AVENUE, 5TH FLOOR  
 NEW YORK, NY 10022  
 TEL: (212) 900-1700

ARCHITECT OF RECORD:  
**SLCE Architects, LLP**  
 1359 BROADWAY, 14TH FLOOR  
 NEW YORK, NY 10018  
 TEL: (212) 979-8400  
 FAX: (212) 979-8387

DESIGN ARCHITECT:  
**Pelli Clarke Pelli Architects**  
 322 EIGHTH AVENUE  
 NEW YORK, NY 10001  
 TEL: (212) 417-9494  
 FAX: (212) 417-9497

STRUCTURAL ENGINEER:  
**WSP**  
 228 East 45th St.  
 New York, NY 10017  
 (212) 687-9888  
 www.wspgroup.com/usa

M.E.P. ENGINEER:  
**MGE**  
 MGE Engineering D.P.C., Inc. an engineer success  
 115 West 32nd Street, 12th Floor, New York, NY, 10001  
 P.O. BOX 8505 F 212 643 0550 www.mgepc.com

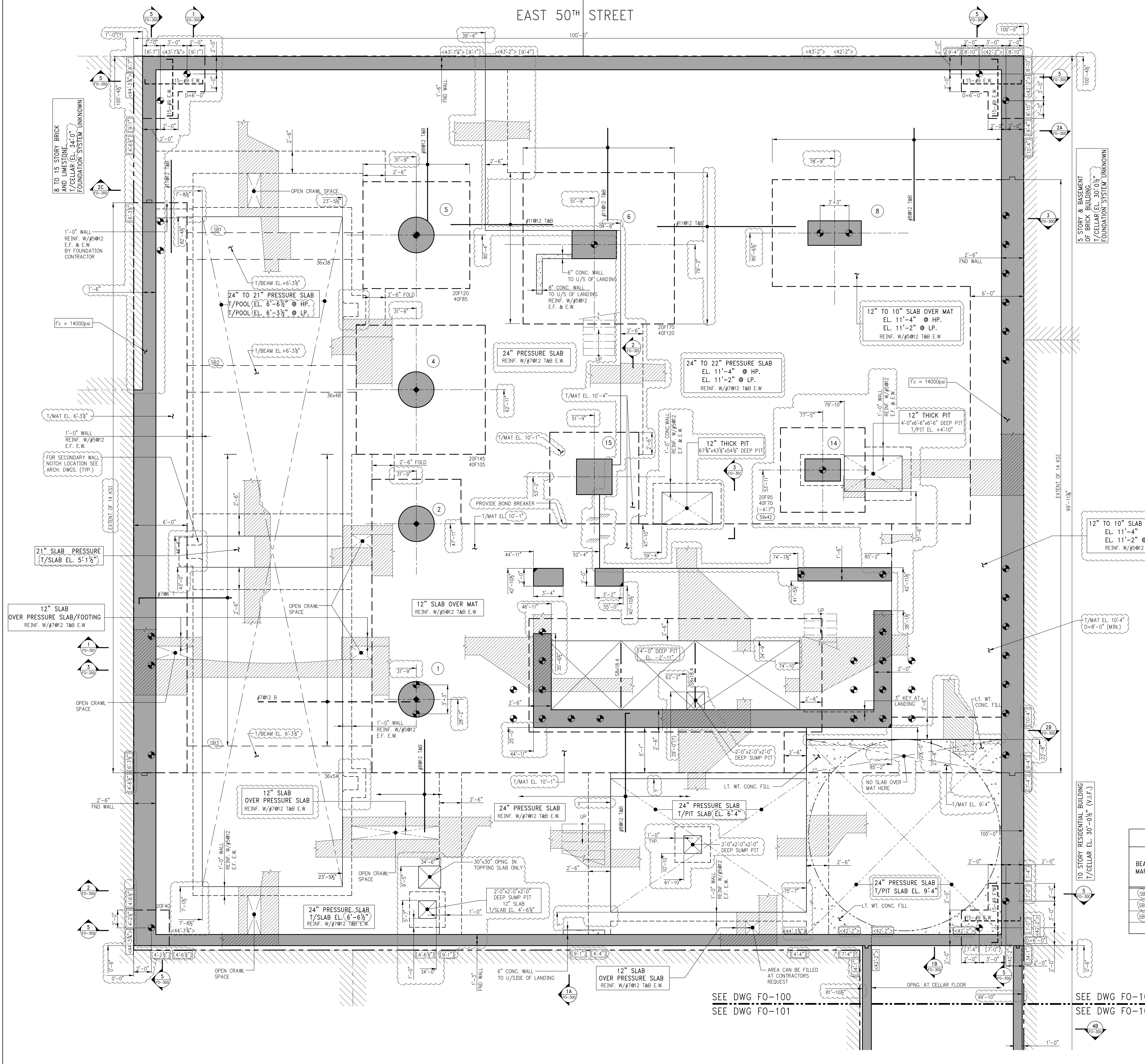
CIVIL ENGINEER:  
**Philip Habib & Associates**  
 102 MADISON AVENUE, 11TH FLOOR  
 NEW YORK, NY 10017  
 TEL: (212) 929-5656  
 FAX: (212) 929-5655

DOB EXPEDITOR:  
**JAM Consultants, Inc.**  
 104 WEST 29TH STREET, 9TH FLOOR  
 NEW YORK, NY 10001  
 TEL: (212) 244-4427  
 FAX: (212) 244-4497

VERTICAL TRANSPORTATION CONSULTANT:  
**Jenkins & Huntington, Inc.**  
 1251 AVENUE OF THE AMERICAS  
 NEW YORK, NY 10020  
 TEL: (212) 696-1818  
 FAX: (212) 696-4528

ZONING CONSULTANT:  
**Development Consulting Services**  
 330 WEST 42ND STREET  
 NEW YORK, NY 10018  
 TEL: (212) 714-0282  
 FAX: (212) 714-0283

EXTERIOR WALL CONSULTANT:  
**Vidaris, Incorporated**  
 340 PARK AVENUE SOUTH, 15TH FL.  
 NEW YORK, NY 10010  
 TEL: (212) 689-3389



- NOTES:**
- TOP OF SLAB ELEVATION TO BE (1'-0") U.O.A. ON PLAN.
  - PRESSURE SLAB TO BE 2'-0" THICK U.O.A. THIS (1'-0") ON PLAN.
  - BOTTOM & TOP REINFORCEMENT TO BE #7@12 CONT. E.W. FOR 2'-0" PRESSURE SLAB.
  - TOP OF FOOTING TO BE 2'-4" BELOW TOP OF SLAB U.O.A.
  - FOOTINGS TO BE CENTERED ON COLLARS OF WALLS U.O.A.
  - TOP OF FOUNDATION WALL TO BE 1'-4" BELOW TOP OF 1<sup>ST</sup> FLOOR SLAB U.O.A.
  - FOR GENERAL NOTES, ABBREVIATIONS AND LEGEND SEE DRAWING FO-001.
  - FOR FOUNDATION TYPICAL DETAILS SEE FO-200 SERIES DRAWINGS.
  - FOR FOUNDATION SECTIONS SEE FO-300 SERIES DRAWINGS.
  - FOR MAT REINFORCEMENT SEE DWG. FO-110.
  - FOR LINK BEAM SCHEDULE AND SHEARWALL DETAILS SEE S-940 SERIES DRAWINGS.
  - FOR COLUMN SIZES, REINFORCEMENT AND DETAILS SEE S-950 SERIES DRAWINGS.

- LEGEND:**
- [ ] INDICATES THE BOTTOM OF FOUNDATION WALL ELEVATION.
  - <-> INDICATES THE TOP OF FOUNDATION WALL ELEVATION.
  - (---) INDICATES TOP OF FOOTING ELEVATION IF NOT TYPICAL (SEE NOTE 2 ABOVE).
  - X#X#X# INDICATES FOOTING MARK.
  - XXXX INDICATES SIZE OF PIERS IN INCHES, FIRST DIMENSION SHOWN IS IN THE EAST-WEST DIRECTION.
  - ⊕ INDICATES 615k ROCK ANCHOR. SEE FO-200 FOR DETAILS.

**SQUARE FOOTING SCHEDULE**  
 CONCRETE: f'c = 10 ksi ALLOWABLE BEARING PRESSURE=20 TONS/SF ROCK

MARK	SIZE	THICKNESS (DEPTH IN INCHES)	REINFORCEMENT EACH WAY*	REMARKS
20F40	4'-0"x4'-0"	72	8-#9	
20F95	9'-6"x9'-6"	54	17-#10	
20F120	12'-0"x12'-0"	66	25-#11	
20F145	14'-6"x14'-6"	78	32-#11	
20F170	17'-0"x17'-0"	92	45-#11	

\* DESIGNATION "H" INDICATES THAT REINFORCEMENT IS TO BE HOOKED 90° AT EACH END.

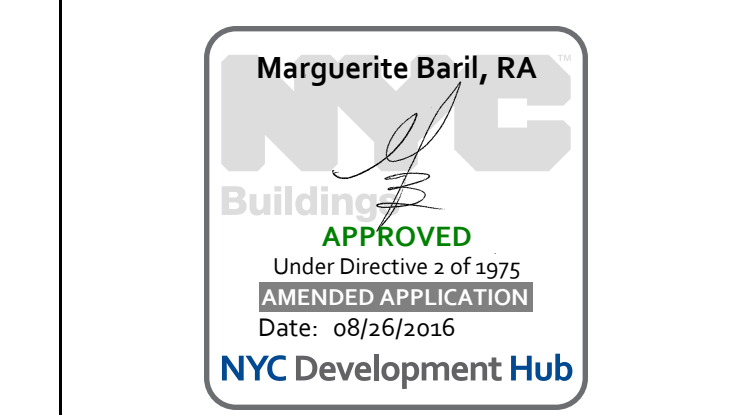
**SQUARE FOOTING SCHEDULE**  
 CONCRETE: f'c = 10 ksi ALLOWABLE BEARING PRESSURE=40 TONS/SF ROCK

MARK	SIZE	THICKNESS (DEPTH IN INCHES)	REINFORCEMENT EACH WAY*	REMARKS
40F70	7'-0"x7'-0"	42	14-#10 (H)	
40F85	8'-6"x8'-6"	50	18-#11 (H)	
40F105	10'-6"x10'-6"	63	24-#11 (H)	
40F120	12'-0"x12'-0"	75	35-#11 (H)	

\* DESIGNATION "H" INDICATES THAT REINFORCEMENT IS TO BE HOOKED 90° AT EACH END.

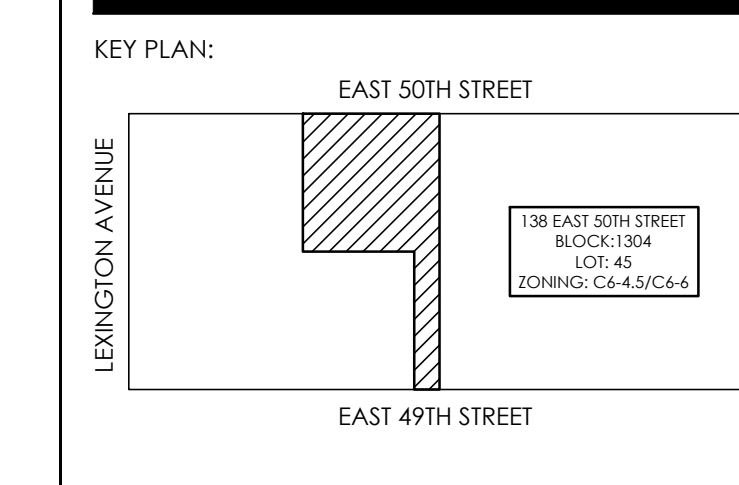
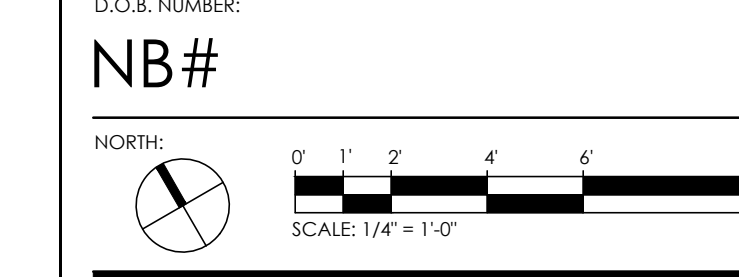
**STRAP BEAM SCHEDULE**

BEAM MARK	SIZE (WxD)	REINFORCEMENT		TOP ADD'L BARS AT SUPPORT	STIRRUPS		REMARKS
		BOTTOM CONTINUOUS	TOP CONTINUOUS		TYPE	SPACING	
SB1	36x36	11-#11	33-#11 (3 LAYERS)		3 #5	86	#5@12 HORIZ. E.F.
SB2	36x48	11-#11	33-#11 (3 LAYERS)		3 #5	86	#5@12 HORIZ. E.F.
SB3	36x54	14-#11 (2 LAYERS)	33-#11 (3 LAYERS)		3 #5	86	#5@12 HORIZ. E.F.



**REVISIONS:**

NO.	DATE	DESCRIPTION
01-18-16	ISSUE TO DOB	
02-10-16	REVISED SUPERSTRUCTURE	
02-09-16	REVISED FOUNDATION FOR CONSTRUCTION	
02-03-16	REVISED SUPERSTRUCTURE	
02-03-16	ISSUE FOUNDATION FOR CONSTRUCTION	
11-17-15	REVISED SUPERSTRUCTURE	
10-12-15	REVISED SUPERSTRUCTURE FOR BID	
09-30-15	ISSUE TO IA	
09-10-15	REVISED FOUNDATION	
09-15-15	ADDITIONAL FOUNDATION SET	
08-03-15	ISSUE FOR SUPERSTRUCTURE BID	



**1 FOUNDATION (SUB-CELLAR) PLAN - PART 1**  
 FO-100 SCALE: 1/4" = 1'-0"

PROJECT: 138 EAST 50TH STREET NEW YORK, N.Y.

DRAWING TITLE: FOUNDATION (SUB-CELLAR) PLAN (PART 1)

DATE: 05/14/2015  
 PROJECT NO.: 1990031  
 DRAWN BY: CASO  
 CHECKED BY: CS  
 DWG. NO.: FO-100.00  
 SHEET NO.: 1 of 0



PROJECT:  
138 EAST 50TH ST.  
NEW YORK, NY

OWNER/DEVELOPER:  
CERUZZI PROPERTIES, LLC  
400 PARK AVENUE, 5th FLOOR  
NEW YORK, NY 10022  
TEL: (212) 300-1700

ARCHITECT OF RECORD:  
SLCEArchitects, LLP  
1359 BROADWAY, 14th FLOOR  
NEW YORK, NY 10018  
TEL: (212) 979-8400  
FAX: (212) 979-8387

DESIGN ARCHITECT:  
Pelli Clarke Pelli Architects  
322 EIGHTH AVENUE  
NEW YORK, NY 10001  
TEL: (212) 417-9494  
FAX: (212) 417-9497

STRUCTURAL ENGINEER:  
WSP  
228 East 45th St.  
New York, NY 10017  
(212) 687-9888  
www.wspgroup.com/usa

M.E.P. ENGINEER:  
MGE  
MGE Engineering D.P.C., Inc. an engineer success  
115 West 32nd Street, 12th Floor, New York, NY 10001  
P: (212) 633-0555 F: (212) 633-0550 www.mgepc.com

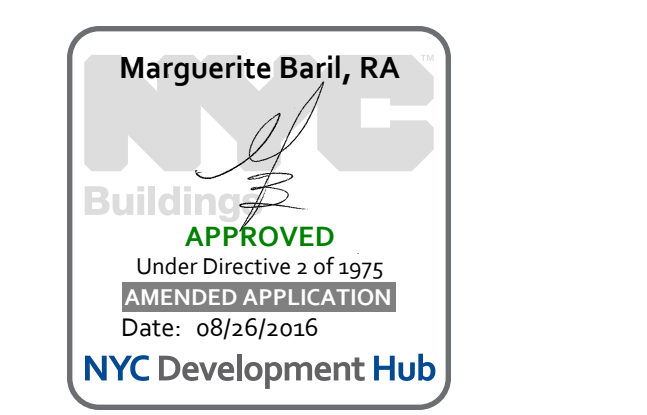
CIVIL ENGINEER:  
Philip Habib & Associates  
102 MADISON AVENUE, 11th FLOOR  
NEW YORK, NEW YORK 10016  
TEL: (212) 929-5656  
FAX: (212) 929-5655

DOB EXPEDITOR:  
JAM Consultants, Inc.  
104 WEST 29th STREET, 9th FLOOR  
NEW YORK, NEW YORK 10001  
TEL: (212) 244-4427  
FAX: (212) 244-4497

VERTICAL TRANSPORTATION CONSULTANT:  
Jenkins & Huntington, Inc.  
1251 AVENUE OF THE AMERICAS  
NEW YORK, NEW YORK 10020  
TEL: (212) 496-1818  
FAX: (212) 696-4528

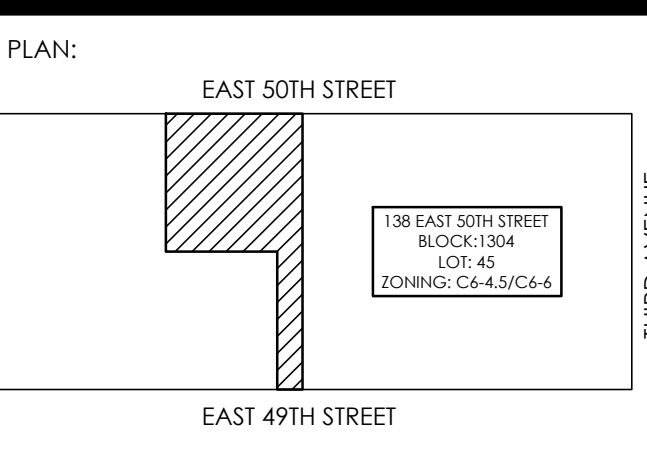
ZONING CONSULTANT:  
Development Consulting Services  
330 WEST 42ND STREET  
NEW YORK, NEW YORK 10036  
TEL: (212) 714-0285  
FAX: (212) 714-0283

INTERIOR WALL CONSULTANT:  
Vidaris, Incorporated  
340 PARK AVENUE SOUTH, 15th FL.  
NEW YORK, NEW YORK 10010  
TEL: (212) 689-3389



03-18-16	ISSUE TO DOB
02-10-16	REVISED SUPERSTRUCTURE
02-08-16	REVISED FOUNDATION FOR CONSTRUCTION
02-03-16	REVISED SUPERSTRUCTURE
02-03-16	ISSUE FOUNDATION FOR CONSTRUCTION
12-17-15	REVISED SUPERSTRUCTURE
11-17-15	REVISED SUPERSTRUCTURE FOR BID
09-30-15	ISSUE TO IA
09-10-15	REVISED FOUNDATION
09-10-15	ADDENDUM # FRODO SET
08-03-15	ISSUE FOR SUPERSTRUCTURE BID
DATE:	REVISION:

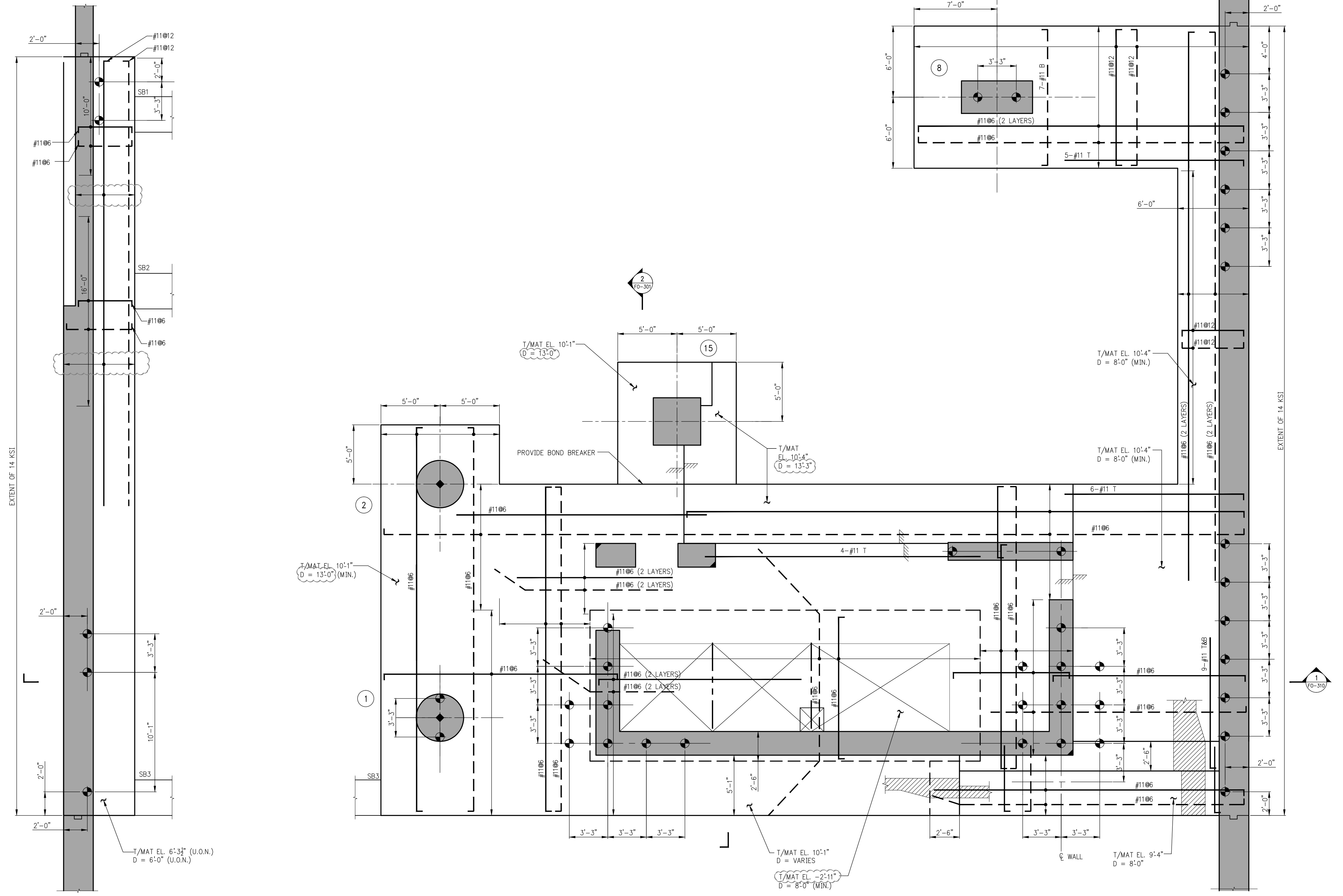
DOB NUMBER:  
NB#  
NOTES:  
SCALE: 1/4" = 1'-0"



PROJECT:  
138 EAST 50TH STREET  
NEW YORK, N.Y.

DRAWING TITLE:  
MAT FOOTING  
REINFORCEMENT PLAN

SEAL & SIGNATURE:  
DATE: 05/14/2015  
PROJECT No.: 1990031  
DRAWN BY: CASO  
CHECKED BY: CS  
DWG. No.:  
FO-110.00  
SHEET No.: of 0

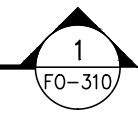
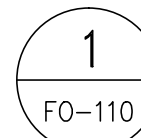


**1 FOUNDATION MAT REINFORCEMENT**  
SCALE: 1/4" = 1'-0"

- NOTES:
- MAT THICKNESS SEE PLAN.
  - $f'_c$  (MAT) = 10000psi (MIN.)
  - ALL MATS TO BEAR ON 40 TON/SF ROCK (MIN.)
  - MAT REINF. TO BE #1186 TABS
  - INDICATES ADDITIONAL TOP REINF.
  - INDICATES ADDITIONAL BOTTOM REINF.
  - INDICATES 615k ROCK ANCHOR. SEE FO-200 FOR DETAILS.
  - FOR BALANCE OF NOTES SEE FO-100.

EXTENT OF 14 KSI

EXTENT OF 14 KSI



138 EAST 50TH ST.  
NEW YORK, NY

OWNER/DEVELOPER:  
**CERUZZI PROPERTIES, LLC**  
400 PARK AVENUE, 5th FLOOR  
NEW YORK, NY 10022  
TEL: (212) 300-1700

ARCHITECT OF RECORD:  
**SLICE Architects, LLP**  
1359 BROADWAY, 14th FLOOR  
NEW YORK, NY 10018  
TEL: (212) 979-9400  
FAX: (212) 979-8387

DESIGN ARCHITECT:  
**Pelli Clarke Pelli Architects**  
322 EIGHTH AVENUE  
NEW YORK, NY 10001  
TEL: (212) 417-9476  
FAX: (212) 417-9477

STRUCTURAL ENGINEER:  
**WSP**  
228 East 45th St.  
New York, NY 10017  
(212) 687-9888  
www.wspgroup.com/usa

M.E.P. ENGINEER:  
**MGE**  
MGE Engineering D.P.C., Inc. an engineer success  
118 West 32nd Street, 12th Floor, New York, NY 10001  
P: (212) 611-9000 F: (212) 611-0000 www.mgepc.com

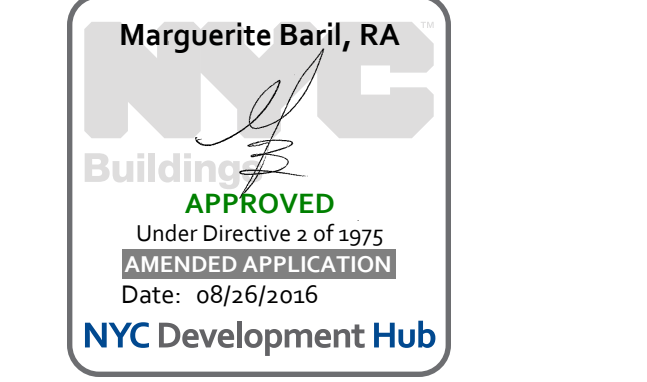
CIVIL ENGINEER:  
**Philip Habib & Associates**  
102 MADISON AVENUE, 11th FLOOR  
NEW YORK, NY 10016  
TEL: (212) 929-5656  
FAX: (212) 929-5655

DOB EXPEDITOR:  
**JAM Consultants, Inc.**  
104 WEST 29th STREET, 9th FLOOR  
NEW YORK, NY 10001  
TEL: (212) 244-4497  
FAX: (212) 244-4497

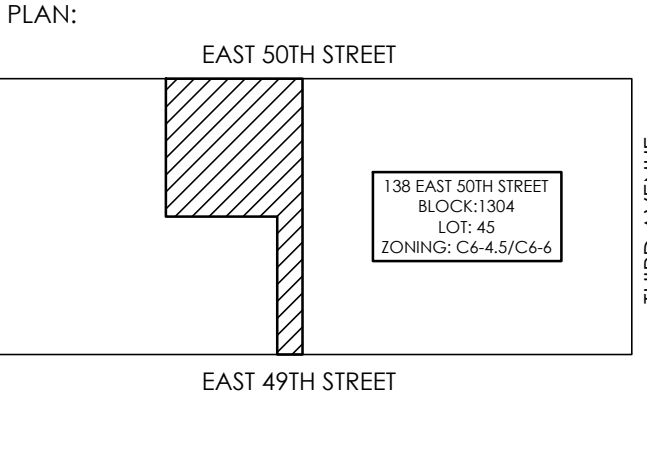
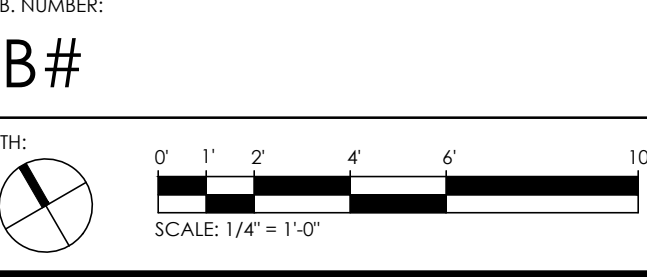
VERTICAL TRANSPORTATION CONSULTANT:  
**Jenkins & Huntington, Inc.**  
1251 AVENUE OF THE AMERICAS  
NEW YORK, NY 10020  
TEL: (212) 696-1818  
FAX: (212) 696-4528

ZONING CONSULTANT:  
**Development Consulting Services**  
330 WEST 42ND STREET  
NEW YORK, NY 10018  
TEL: (212) 714-0282  
FAX: (212) 714-0283

EXTERIOR WALL CONSULTANT:  
**Vidar, Incorporated**  
340 PARK AVENUE SOUTH, 15th FL.  
NEW YORK, NY 10010  
TEL: (212) 689-5389



03-18-16	ISSUE TO DOB
02-10-16	REVISED SUPERSTRUCTURE
02-08-16	REVISED FOUNDATION FOR CONSTRUCTION
02-03-16	REVISED SUPERSTRUCTURE
01-03-16	ISSUE FOUNDATION FOR CONSTRUCTION
01-17-15	REVISED SUPERSTRUCTURE FOR BID
09-30-15	ISSUE TO IA
09-10-15	REVISED FOUNDATION
09-21-15	ADDENDUM 1 PRICING SET
08-25-15	ISSUE FOR SUPERSTRUCTURE BID
06-26-15	ISSUE FOR FOUNDATION BID
DATE:	REVISION:



PROJECT:  
138 EAST 50TH STREET  
NEW YORK, N.Y.

DRAWING TITLE:  
**TYPICAL FOUNDATION DETAILS I**

SEAL & SIGNATURE:

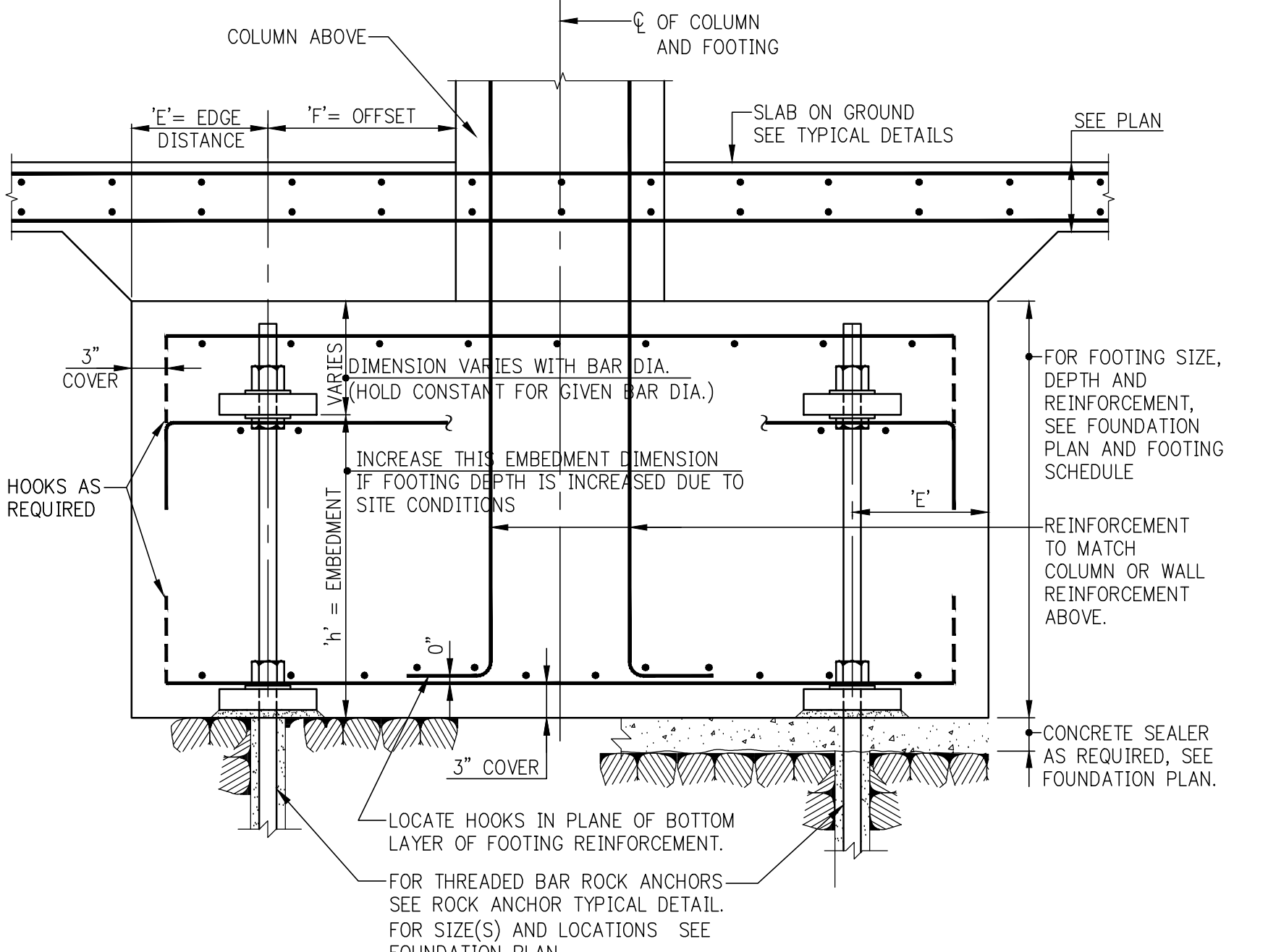
DATE: 05/14/2015  
PROJECT No.: 1590031  
DRAWN BY: CASO  
CHECKED BY: CS  
DWG. No.:  
**FO-200.00**  
SHEET No.: of 0

TABLE FOR DOUBLE CORROSION PROTECTION ROCK ANCHORS

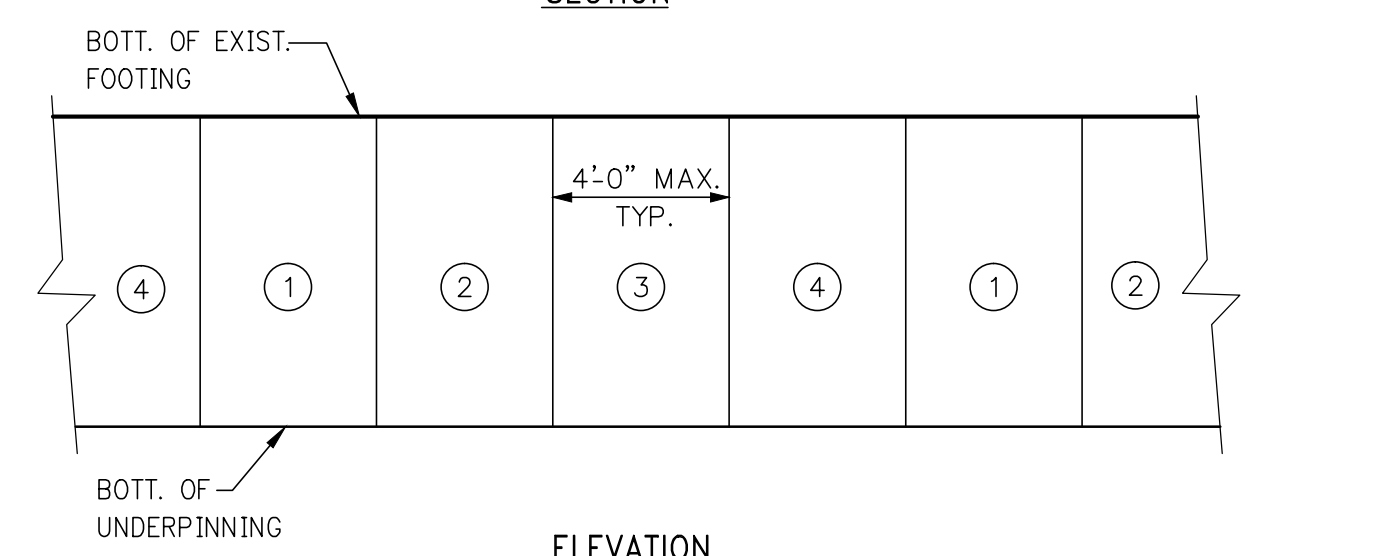
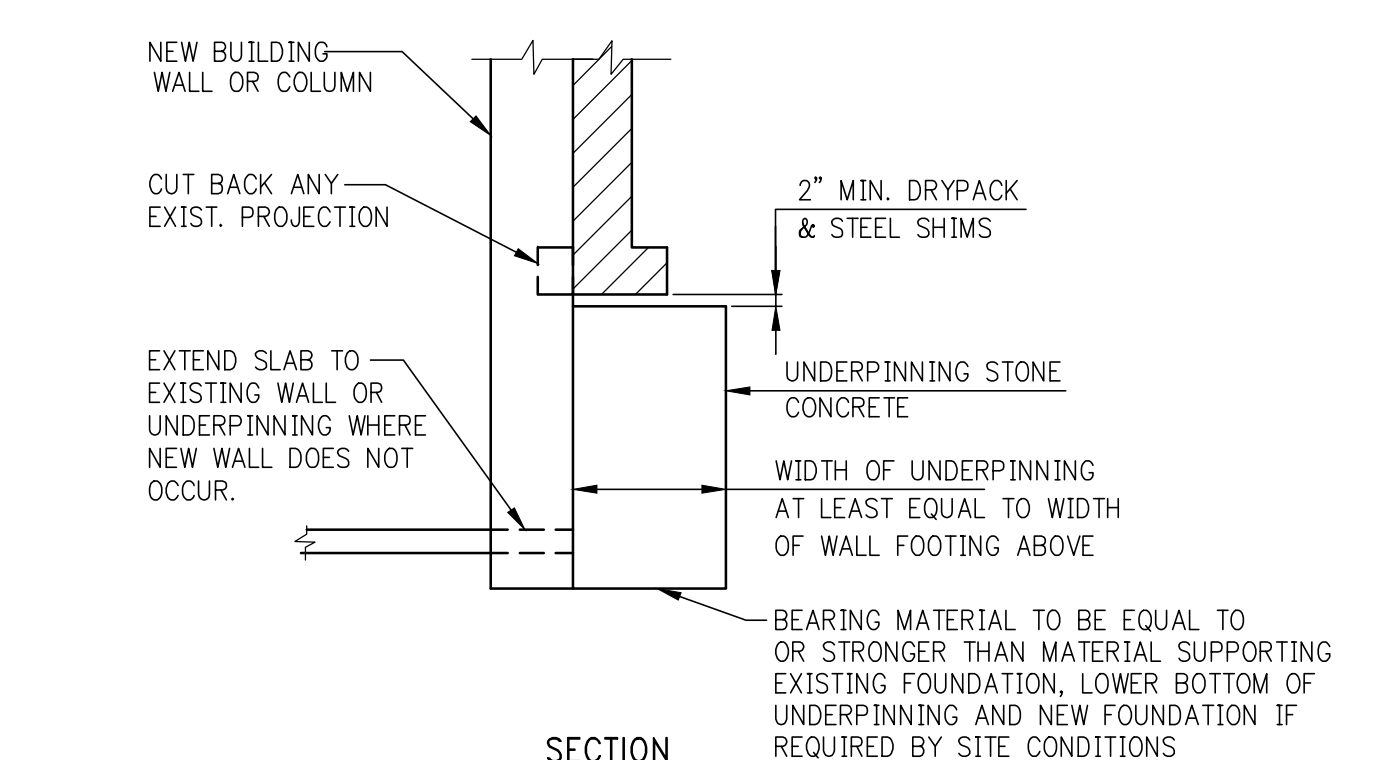
THREADED BAR DIAMETER	DESIGN LOAD (KIPS)	ANCHOR PLATE (F <sub>y</sub> =50 ksi)	MINIMUM DRILL HOLE DIAMETER	MINIMUM BOND LENGTH	MINIMUM EMBEDMENT IN FOOTING "h"	MAXIMUM OFFSET "t" OR "g" SEE NOTE 4	MINIMUM EDGE DISTANCE "e"
3"	615*	12"x12"x4/8"	8"	35'-0"	5'-0"	2'-0"	2'-0"

- NOTES FOR CORROSION PROTECTION TABLE:
- MINIMUM DRILL HOLE DIAMETER ASSUMES COUPLERS ARE NOT REQUIRED. HOLE DIAMETER MAY INCREASE DUE TO USE OF COUPLERS OR ROCK CONDITION
  - ACTUAL BOND LENGTH TO BE DETERMINED BY GEOTECHNICAL CONSULTANT FROM BORINGS AND ROCK SAMPLES. GROUP ACTION EFFECTS ARE TO BE CONSIDERED.
  - PLATES FOR LARGE DIAMETER BARS TO BE SUPPLIED BY MANUFACTURER, SUBJECT TO ENGINEER'S APPROVAL. GRADE 50 MAY BE USED AT MANUFACTURER'S OPTION.
  - MAXIMUM OFFSET "t" OR "g" MAY BE INCREASED IF MINIMUM EMBEDMENT "h" IS ALSO INCREASED BY AT LEAST THE SAME AMOUNT. PROJECT DESIGNER IS TO ESTABLISH NEW DIMENSIONS.

- ROCK ANCHOR GENERAL NOTES
- ROCK ANCHORS SHALL BE IN CONFORMANCE WITH LATEST PTI (POST - TENSIONING INSTITUTE) "RECOMMENDATIONS FOR PRESTRESSED ROCK AND SOIL ANCHORS". FOR SIZES AND LOCATIONS SEE FOUNDATION DRAWINGS.
  - ALL ROCK ANCHORS SHALL BE GRADE 150 THREADED BARS CONFORMING TO ASTM A-722. THREADED BARS SHALL BE PROVIDED WITH SHOP FABRICATED DOUBLE CORROSION PROTECTION. THREADED BARS, ANCHORS, CENTRALIZERS, ACCESSORIES, CORROSION PROTECTION SYSTEM, ETC. SHALL BE PROVIDED BY SAS, STRESSETEEL, OR APPROVED EQUAL.
  - THREADED BARS SHALL BE ENCAPSULATED WITH HIGH STRENGTH PVC CORRUGATED SHEATHING (COMPRESSIVE STRENGTH = 7,000 PSI) AND SHALL BE PRE-GRouted BY THE MANUFACTURER.
  - ANCHORS SHALL CONFORM TO ASTM A-36, UNLESS GRADE 50 IS CALLED FOR IN THE DETAILS.
  - ANCHOR NUTS AND COUPLERS SHALL BE CAPABLE OF DEVELOPING 100% OF THE ULTIMATE STRENGTH OF THE THREADED BAR & CARE MUST BE TAKEN NOT TO DAMAGE THE TENDONS. KEEP ALL COMPONENTS OF THE SYSTEM FREE OF DIRT OR OTHER DELETERIOUS SUBSTANCES.
  - DO NOT WELD IN THE VICINITY OF THE THREADED BARS.
  - DO NOT USE ANCHORS AS A GROUND FOR WELDING.
  - THE FIRST THREE ANCHORS INSTALLED, AND TEN PER CENT OF REMAINING ANCHORS, SHALL BE PERFORMANCE TESTED. ALL OTHER ANCHORS SHALL BE PROOF TESTED. ALL TESTS SHALL BE PERFORMED USING A CALIBRATED CENTER HOLE JACK.
  - PERFORMANCE TESTS SHALL BE MADE BY CYCLICALLY AND INCREMENTALLY LOADING AND UNLOADING THE ANCHOR IN ACCORDANCE WITH THE FOLLOWING SCHEDULE, WHERE AL= ALIGNMENT LOAD AND P= DESIGN LOAD:  
10.1 AL, 25P  
10.2 AL, 25P, 50P  
10.3 AL, 25P, 50P, 75P  
10.4 AL, 25P, 50P, 75P, 100P  
10.5 AL, 25P, 50P, 75P, 100P, 120P  
10.6 AL, 25P, 50P, 75P, 100P, 120P, 133P (TEST LOAD)
  - HOLD 1.33P FOR GREEP TEST. RECORD MOVEMENTS AT EACH INCREMENT USING A DIAL INDICATOR CAPABLE OF READING INCREMENTS OF .001 INCH. ALL IN CONFORMANCE WITH PTI RECOMMENDATIONS. REDUCE LOAD TO "TRANSFER LOAD" (1.00 P) AND LOCK OFF ANCHOR NUT AT "TRANSFER LOAD"
  - "PROOF" TESTS SHALL BE MADE BY INCREMENTALLY LOADING THE ANCHOR: AL, 25P, 50P, 75P, 100P, 120P, 133P (TEST LOAD, TEN MINUTE HOLD) RECORD MOVEMENTS AT EACH INCREMENT IN CONFORMANCE WITH PTI RECOMMENDATIONS. REDUCE LOAD TO "TRANSFER LOAD" (1.00 P) AND LOCK OFF ANCHOR NUT AT "TRANSFER LOAD"
  - CONTRACTOR SHALL SUBMIT ANCHOR SHOP DRAWING(S) FOR APPROVAL PRIOR TO COMMENCING ANCHOR INSTALLATION. SHOP DRAWING(S) SHALL CONTAIN ANCHOR DETAILS, AND INSTALLATION AND TESTING PROCEDURES.

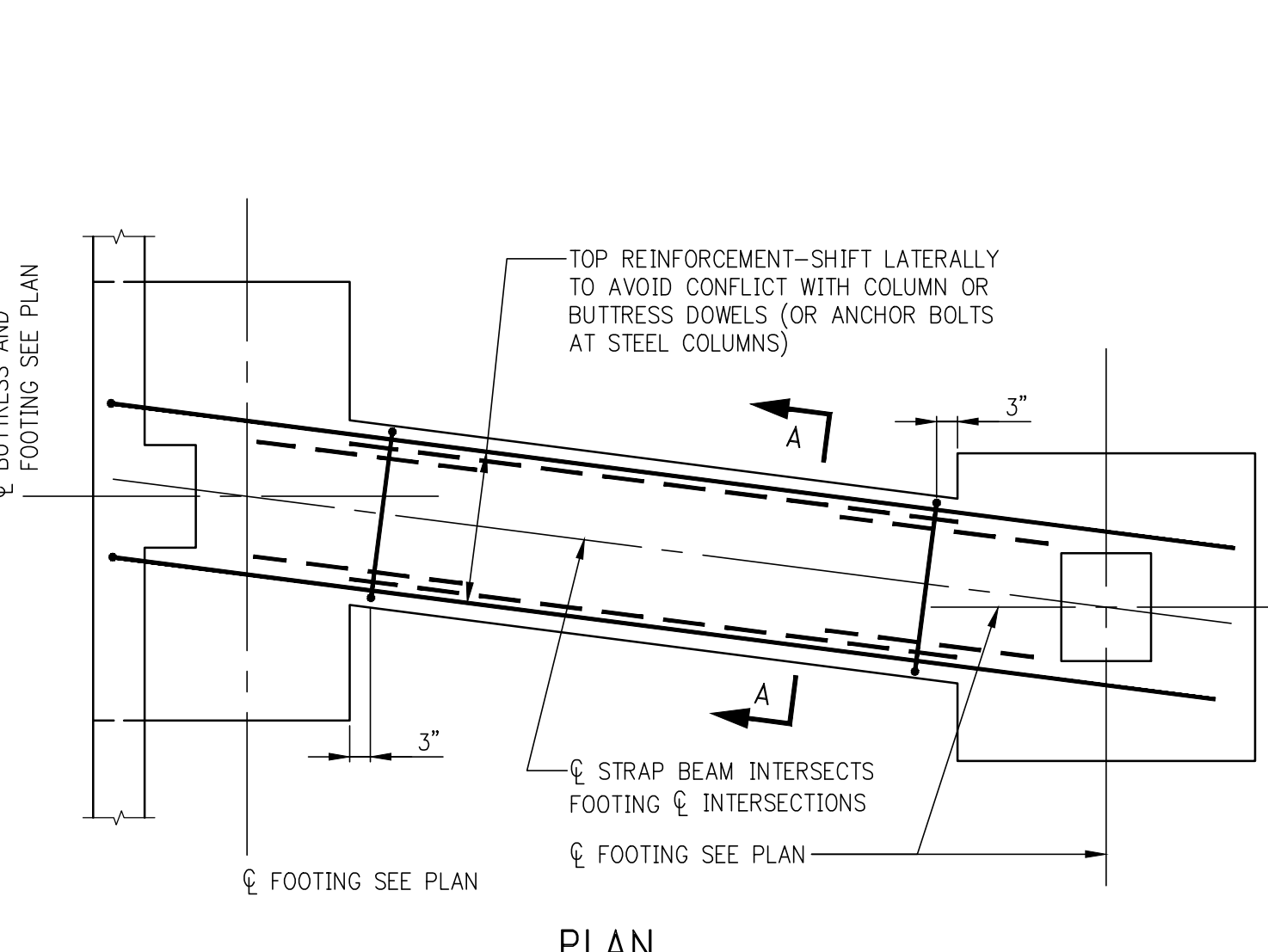


ROCK ANCHORAGE AT CONCRETE COLUMN OR WALL  
NOTE:  
SHEARWALL REINFORCEMENT WILL GENERALLY BE LAP SPLICED. SEE SHEARWALL DETAILS FOR TYPE OF SPLICE REQUIRED.

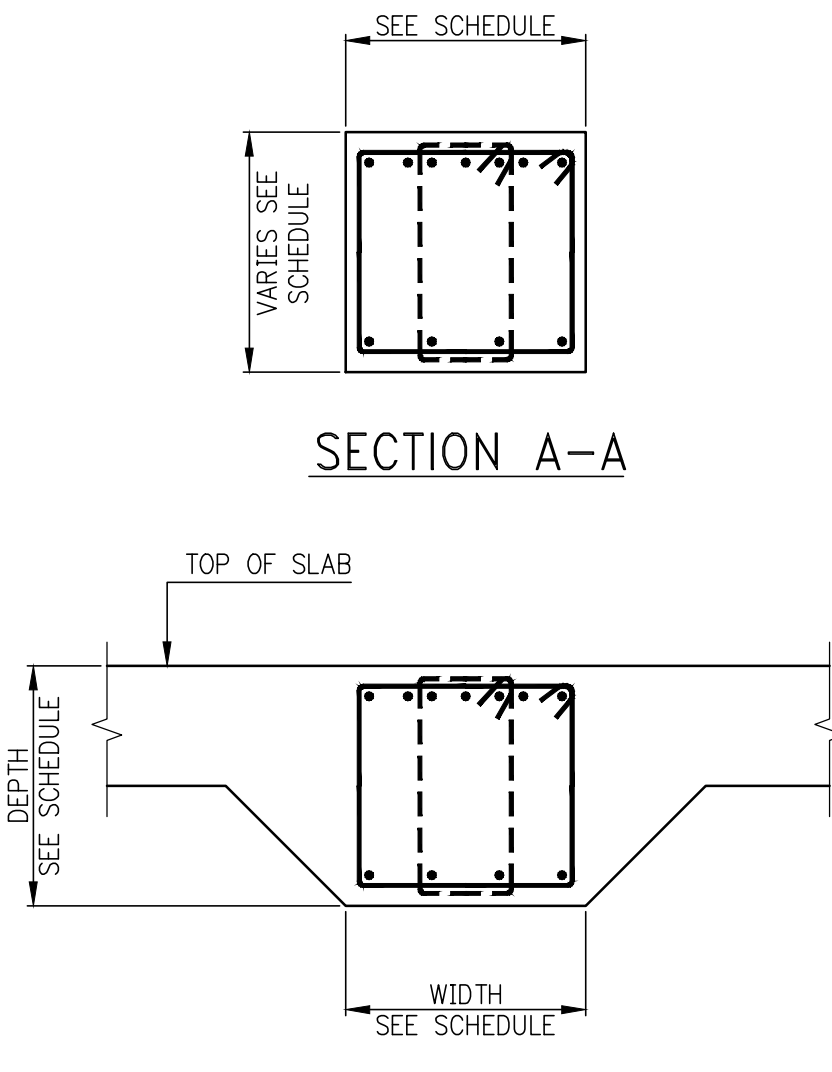


- NOTES:
- EXCAVATE & PLACE PANELS IN ORDER SHOWN
  - MINIMUM CLEAR DISTANCE BETWEEN SIMULT. CUTS TO BE 12'-0"
  - CONCRETE FOR UNDERPINNING TO BE CONTROLLED STONE CONCRETE 3000 P.S.I.

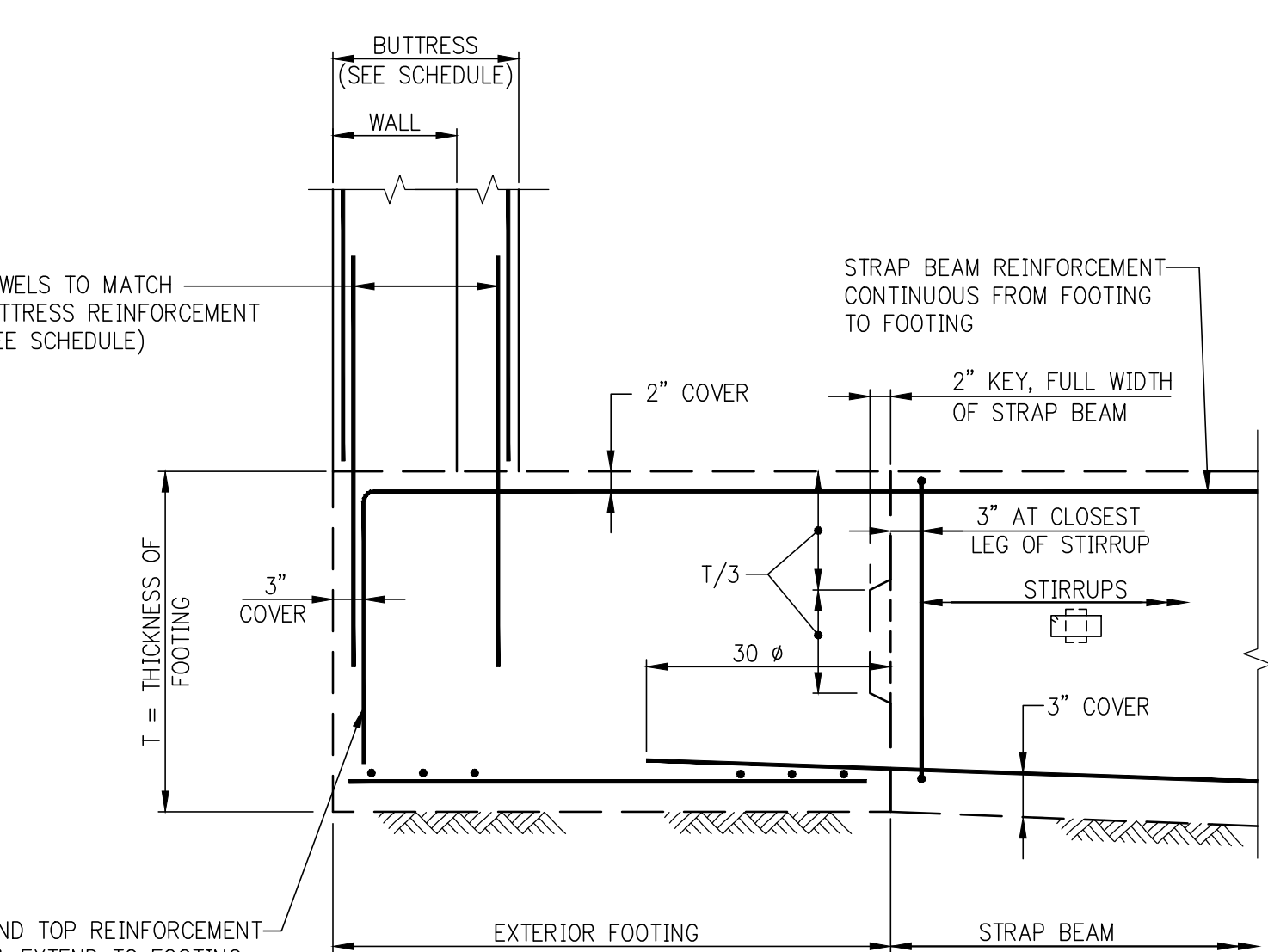
- SUGGESTED UNDERPINNING DETAIL
- NOTES:
- THIS DETAIL IS REPRESENTATIVE OF ONE METHOD OF UNDERPINNING UNDER PARTICULAR CIRCUMSTANCES. THE CONTRACTOR MUST EVALUATE THIS PROJECT AND DETERMINE EXACT METHODS AND PROCEDURES TO BE FOLLOWED.
  - CONTRACTOR'S UNDERPINNING DESIGN ENGINEER SHALL BE A REGISTERED PROFESSIONAL ENGINEER IN THE STATE OF NEW YORK AND SHALL REVIEW ALL AVAILABLE BORING DATA AND EXISTING CONDITIONS TO DETERMINE THE NECESSITY OF PRELOADING AND/OR JACKING TO PROTECT ADJACENT STRUCTURES PRIOR TO COMMENCEMENT OF UNDERPINNING OPERATIONS.
  - THE CONTRACTOR'S PROFESSIONAL ENGINEER SHALL FILE WITH THE BUILDING DEPARTMENT THE SELECTED PROCEDURE.



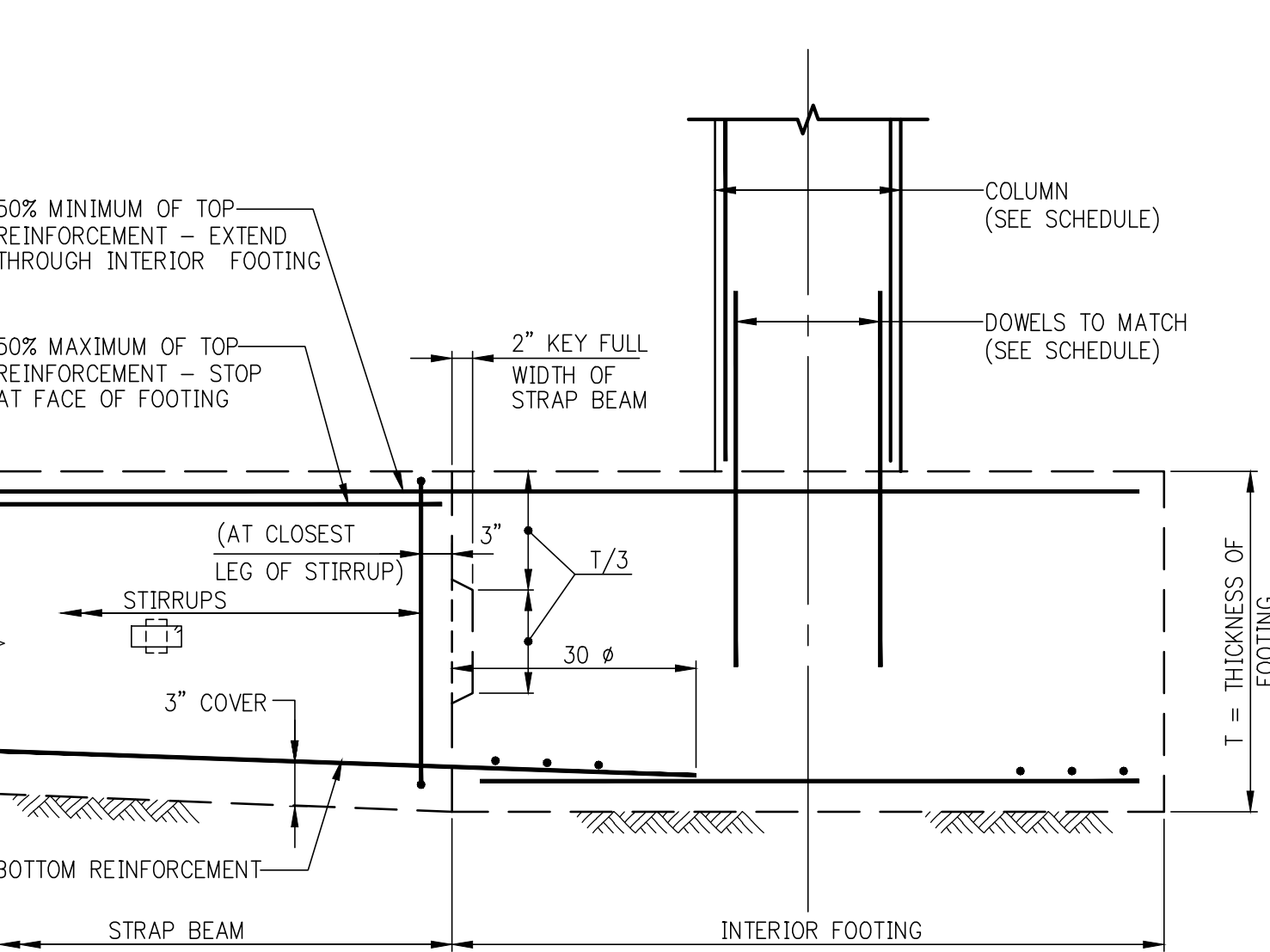
STRAP BEAM FOR FOOTINGS ON SOIL OR ROCK  
NOTE:  
STRAP BEAM MUST FRAME DIRECTLY TO FOOTINGS. STRAP BEAMS MAY NOT FRAME TO PIERS OR BUTTRESSES.



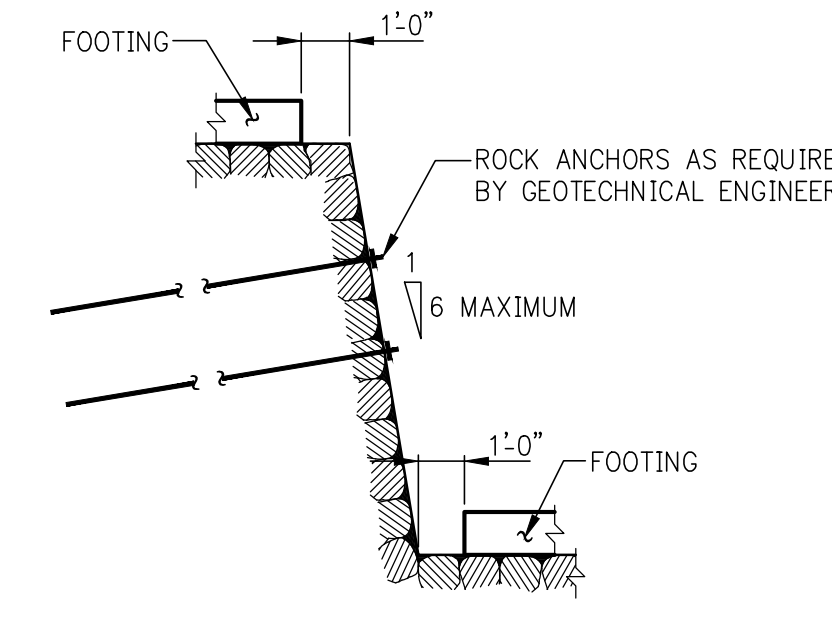
ALTERNATIVE SECTION A-A (AT STRAP BEAM MONOLITHIC WITH SLAB)  
NOTE:  
FOR SLAB DETAILS AND WATERPROOFING REQUIREMENTS SEE FOUNDATION PLANS AND DETAILS



ELEVATION - EXTERIOR FOOTING  
NOTE:  
SEE FOUNDATION DRAWINGS FOR STRAP BEAM SIZE, REINFORCEMENT, AND STIRRUPS.

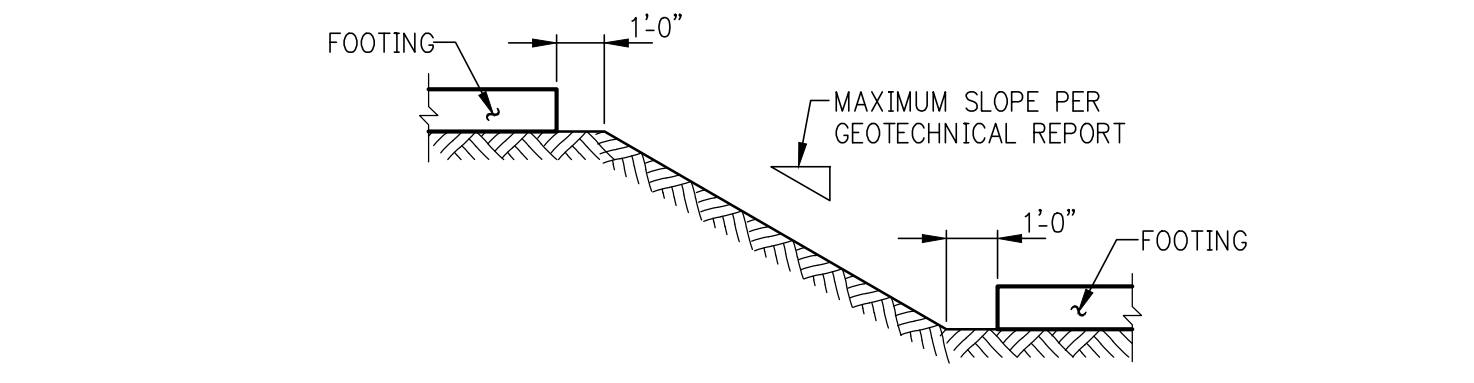


ELEVATION - INTERIOR FOOTING

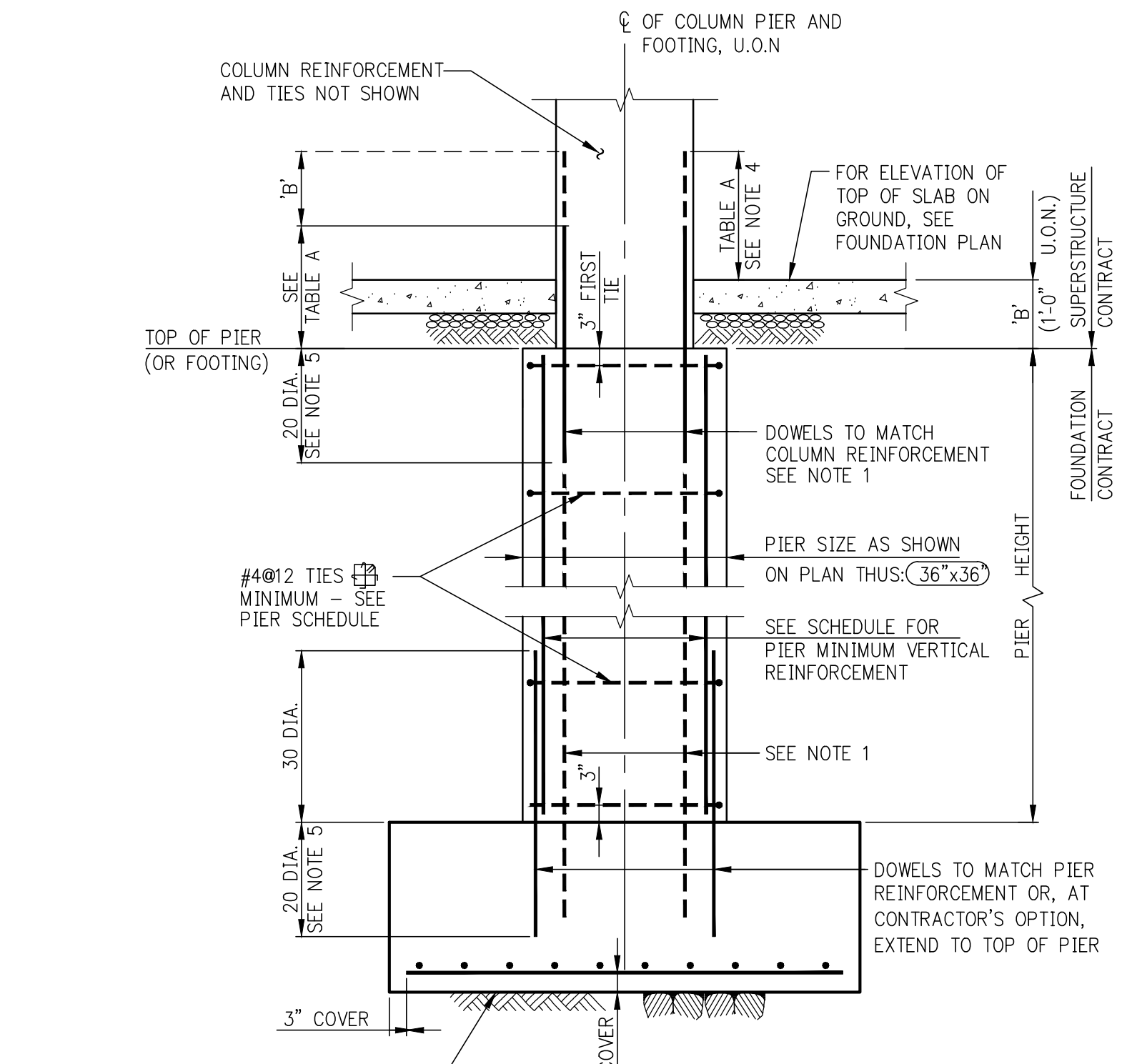


ADJACENT FOOTINGS ON ROCK AT DIFFERENT ELEVATIONS  
FOR ROCK CAPACITY = 20 TONS PER SQ. FT. OR HIGHER.

NOTE:  
THIS DETAIL IS SUBJECT TO THE INTEGRITY OF THE ROCK AND PITCH OF ROCK SEAMS AND MAY BE MODIFIED DUE TO SITE CONDITIONS. MAXIMUM HEIGHT DIFFERENTIAL TO BE DETERMINED BY GEOTECHNICAL ENGINEER WHEN ACTUAL ROCK CONDITION IS OBSERVED.



ADJACENT FOOTINGS ON SOIL



INTERIOR FOOTING AND PIER AT CONCRETE COLUMN  
THIS DETAIL DOES NOT APPLY WHERE COLUMN REINFORCEMENT IS IN TENSION.

- NOTES:
- WHERE PIER HEIGHT IS LESS THAN EMBEDMENT LENGTH OF COLUMN DOWELS, EMBED DOWELS IN FOOTING AND EXTEND THROUGH PIER INTO COLUMN ABOVE.
  - AT CONTRACTOR'S OPTION, A SHORT PIER MAY BE ELIMINATED BY THICKENING THE COLUMN FOOTING TO THE TOP OF PIER ELEVATION.
  - MAXIMUM PIER HEIGHT TO BE EIGHT TIMES THE LEAST PIER DIMENSION. INCREASE PIER SIZE AS REQUIRED TO MAINTAIN THIS RATIO.
  - WHEN SLAB ON GROUND IS POURED BEFORE COLUMN, INCREASE LENGTH OF DOWELS BY DIMENSION 'b' (FROM TOP OF PIER TO TOP OF SLAB). IN ADDITION, IF COLUMN CONCRETE STRENGTH IS GREATER THAN 1.4 TIMES SLAB CONCRETE STRENGTH, THE SLAB CONCRETE STRENGTH MUST BE INCREASED LOCALLY TO MATCH COLUMN CONCRETE STRENGTH FOR A DISTANCE OF 2 FEET IN ALL DIRECTIONS FROM COLUMN FACES.
  - IF GRADE 75 COLUMN REINFORCEMENT IS USED, INCREASE DOWEL EMBEDMENT LENGTH TO 24 DIAMETERS.
  - MINIMUM CONCRETE STRENGTH OF F<sub>c</sub>=4,000 PSI IS REQUIRED FOR PIER AND FOOTING. SEE PLANS AND NOTES FOR GREATER STRENGTH REQUIREMENTS.

PIER: MINIMUM VERTICAL REINFORCEMENT

PIER SIZE (OR EQUIVALENT)	VERTICAL REINF.
UP TO 36x36	8-#6
37x37 TO 48x48	12-#6
49x49 TO 54x54	12-#7
55x55 TO 66x66	16-#7
67x67 TO 84x84	16-#8

NOTE:  
THE PIER SCHEDULE MAY REQUIRE A GREATER AMOUNT OF REINFORCEMENT, BUT NOT LESS.

TABLE A  
COMPRESSION LAP SPLICE LENGTH

BAR SIZE	f <sub>y</sub> =60 KSI	f <sub>y</sub> =75 KSI
#5 TO #11	30 DIA.	44 DIA.
#14 & #18	45"-#11 DOWELS	60"-#11 DOWELS

PROJECT:  
**138 EAST 50TH ST.  
 NEW YORK, NY**

OWNER/DEVELOPER:  
**CERUZZI PROPERTIES, LLC**  
 400 PARK AVENUE, 5TH FLOOR  
 NEW YORK, NY 10022  
 TEL: (212) 300-1700

ARCHITECT OF RECORD:  
**SLCEArchitects, LLP**  
 1359 BROADWAY, 14th FLOOR  
 NEW YORK, NY 10018  
 TEL: (212) 979-8400  
 FAX: (212) 979-8387

DESIGN ARCHITECT:  
**Pelli Clarke Pelli Architects**  
 322 EIGHTH AVENUE  
 NEW YORK, NY 10001  
 TEL: (212) 417-9476  
 FAX: (212) 417-9497

STRUCTURAL ENGINEER:  
**WSP**  
 228 East 45th St.  
 New York, NY 10017  
 (212) 687-9888  
 www.wspgroup.com/usa

M.E.P. ENGINEER:  
**MGE**  
 MGE Engineering D.P.C., Inc. an engineer success  
 115 West 32nd Street, 12th Floor, New York, NY 10001  
 P: (212) 633-0555 F: (212) 633-0550 www.mgepc.net

CIVIL ENGINEER:  
**Philip Habib & Associates**  
 102 MADISON AVENUE, 11TH FLOOR  
 NEW YORK, NEW YORK 10016  
 TEL: (212) 929-5656  
 FAX: (212) 929-5655

DOB EXPIRATOR:  
**JAM Consultants, Inc.**  
 104 WEST 29TH STREET, 9TH FLOOR  
 NEW YORK, NEW YORK 10001  
 TEL: (212) 244-4427  
 FAX: (212) 244-4497

VERTICAL TRANSPORTATION CONSULTANT:  
**Jenkins & Huntington, Inc.**  
 1251 AVENUE OF THE AMERICAS  
 NEW YORK, NEW YORK 10020  
 TEL: (212) 696-1818  
 FAX: (212) 696-4528

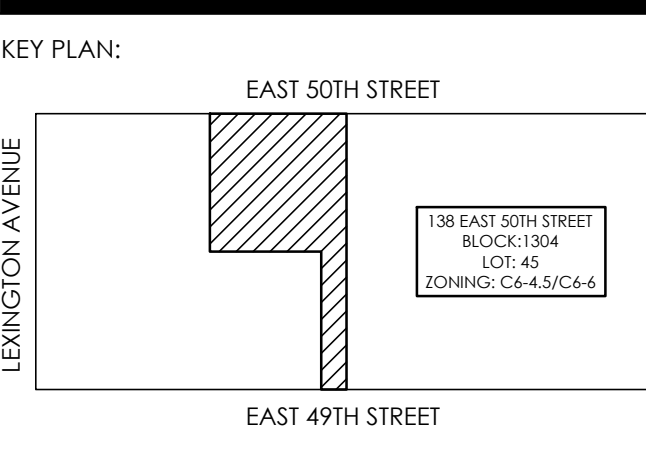
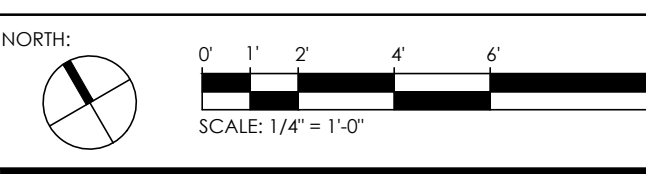
ZONING CONSULTANT:  
**Development Consulting Services**  
 330 WEST 42ND STREET  
 NEW YORK, NEW YORK 10036  
 TEL: (212) 714-0282  
 FAX: (212) 714-0283

EXTERIOR WALL CONSULTANT:  
**Vidaris, Incorporated**  
 340 PARK AVENUE SOUTH, 15TH FL.  
 NEW YORK, NEW YORK 10010  
 TEL: (212) 689-3389

**Marguerite Baril, R.A.**  
 Building Code  
 APPROVED  
 Under Directive 2 of 1976  
 REVISED/REDESIGNED/RECORRECTED  
 Date: 08/16/2016  
 NYC Development Hub

03-18-16	ISSUE TO DOB
02-10-16	REVISED SUPERSTRUCTURE
02-09-16	REVISED FOUNDATION FOR CONSTRUCTION
02-03-16	REVISED SUPERSTRUCTURE
02-03-16	ISSUE FOUNDATION FOR CONSTRUCTION
01-17-16	REVISED SUPERSTRUCTURE FOR BID
09-30-15	ISSUE TO IA
09-10-15	REVISED FOUNDATION
09-21-15	ADDENDUM 1 PRECISE SET
08-03-15	ISSUE FOR SUPERSTRUCTURE BID
06-26-15	ISSUE FOR FOUNDATION BID

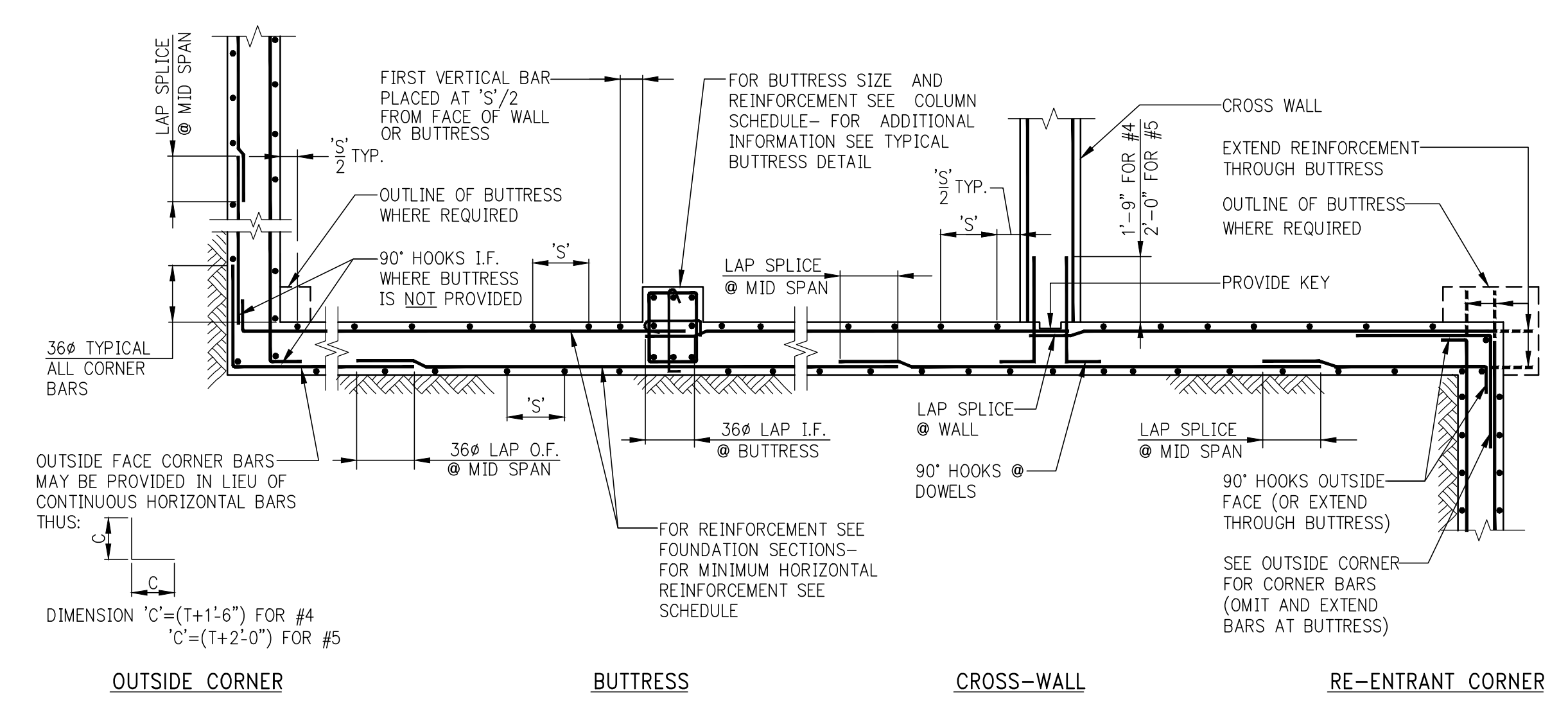
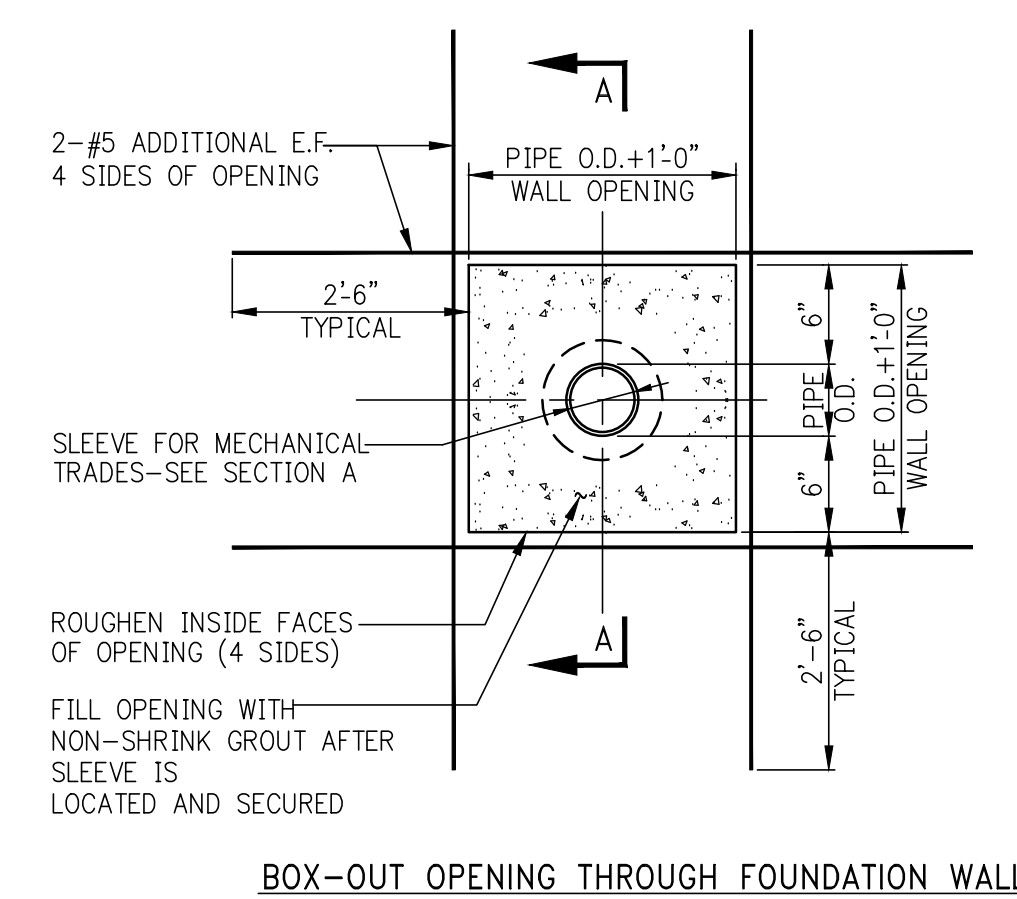
DOB NUMBER:  
**NB#**



PROJECT:  
**138 EAST 50TH STREET  
 NEW YORK, N.Y.**

DRAWING TITLE:  
**TYPICAL FOUNDATION DETAILS 2**

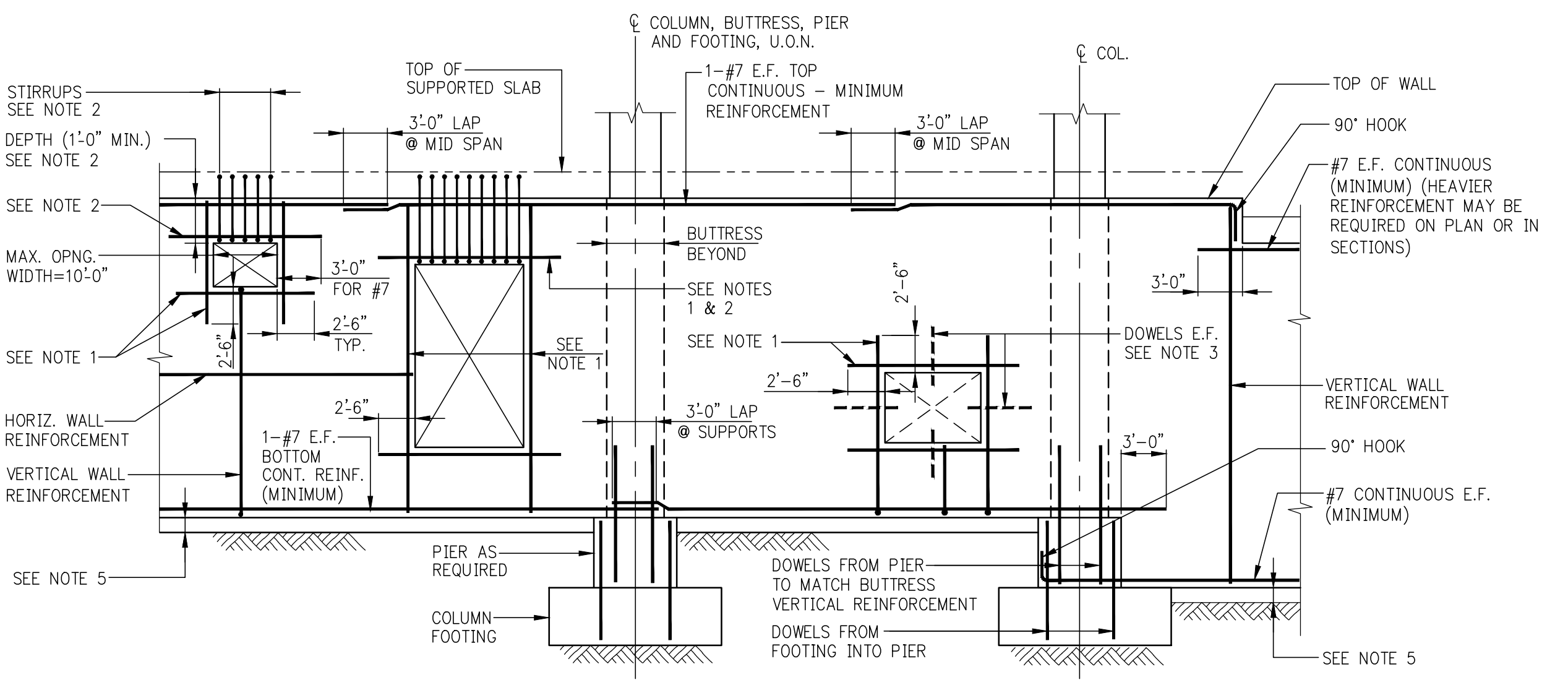
SEAL & SIGNATURE: DATE: 05/14/2015  
 PROJECT No.: 1990031  
 DRAWN BY: CAGD  
 CHECKED BY: CS  
 DWG. No.: **FO-201.00**  
 SHEET No.: of 0



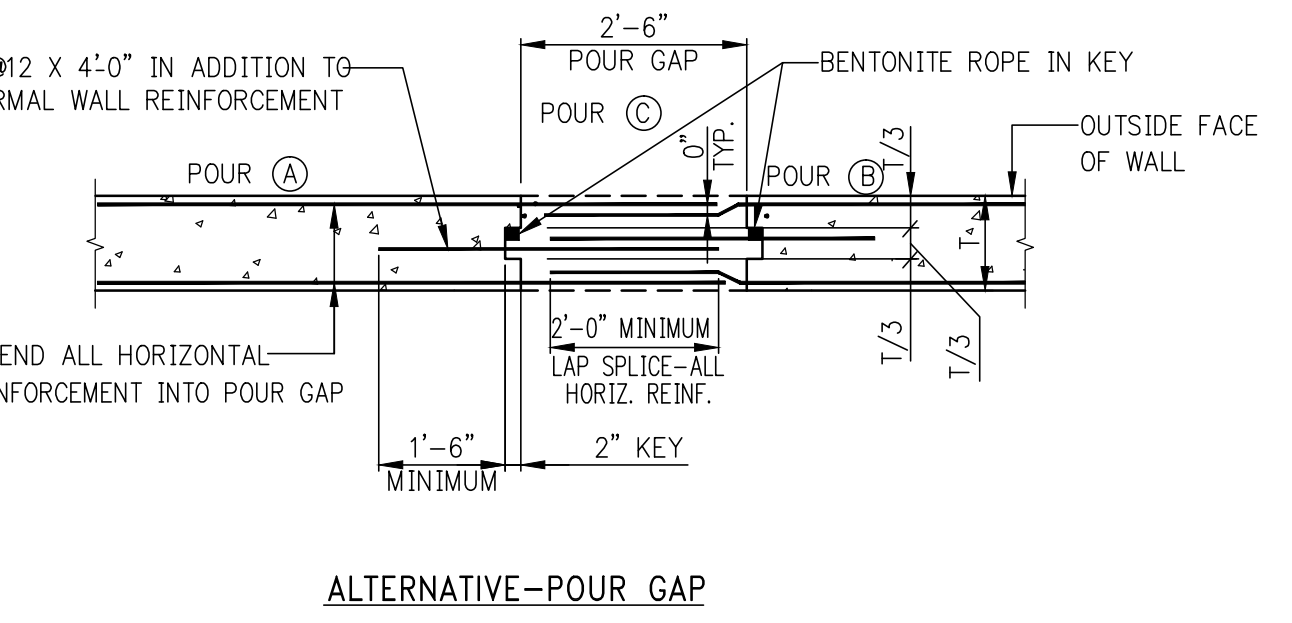
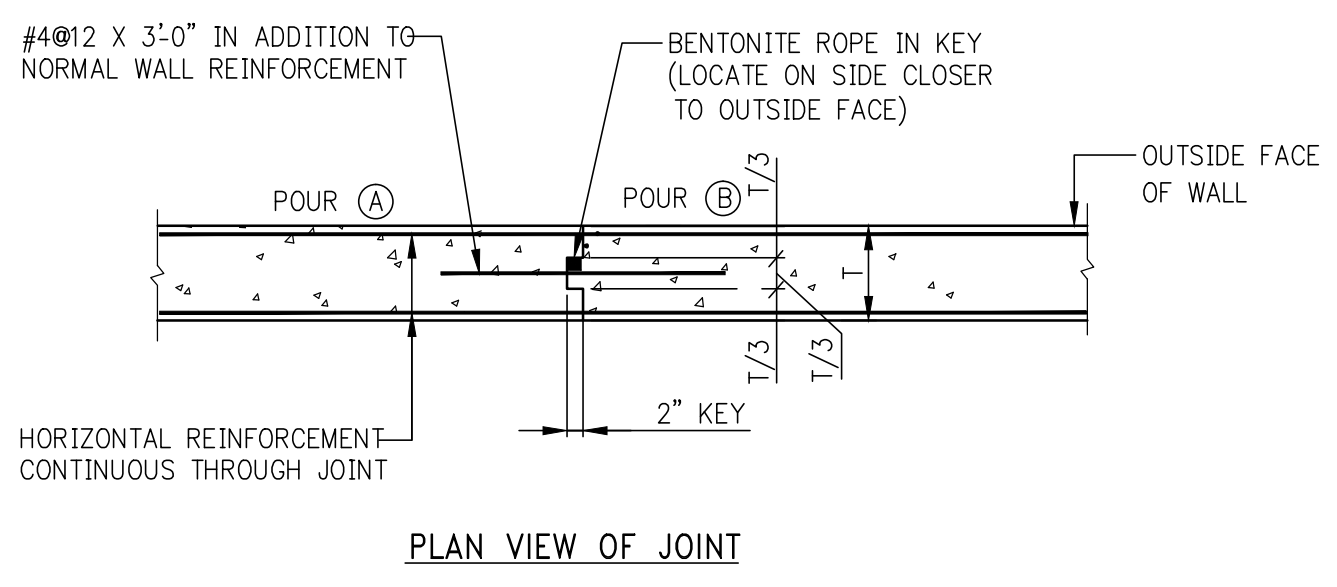
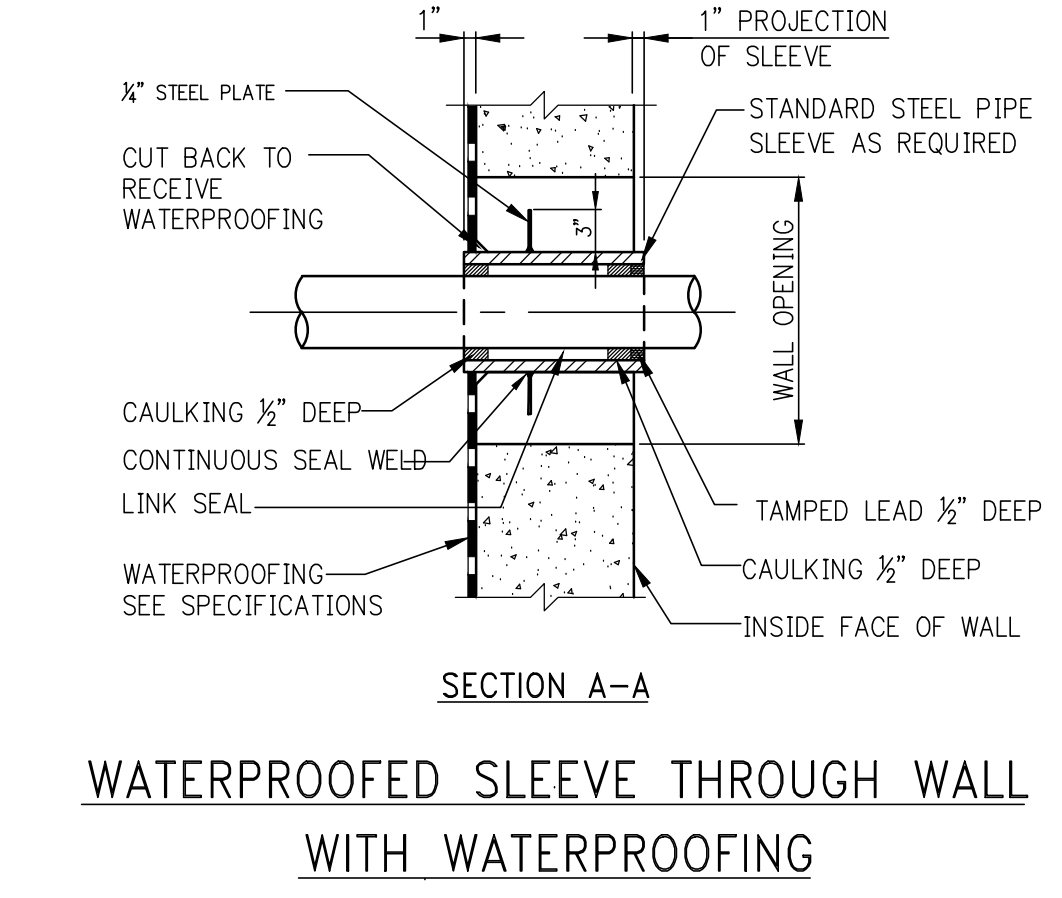
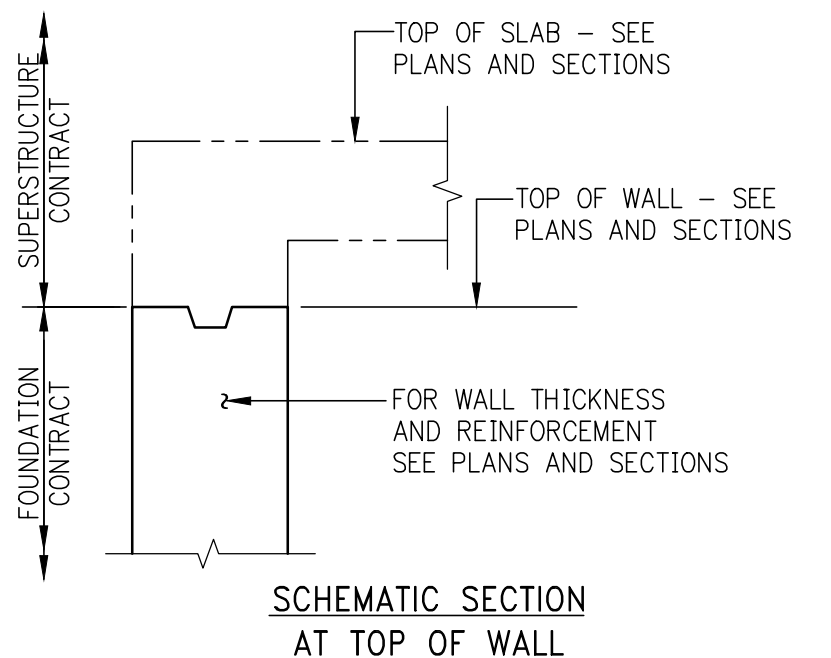
T = WALL THICKNESS	HORIZONTAL REINFORCEMENT
UP TO 10"	#4@18 E.F.
11" TO 12"	#4@16 E.F.
13" TO 16"	#4@12 E.F.
17" TO 20"	#4@10 OR #5@15 E.F.
21" TO 22"	#4@9 OR #5@12 E.F.
23" TO 24"	#4@8 OR #5@12 E.F.
OVER 24"	SEE PLANS AND SECTIONS

**HORIZONTAL SECTION SHOWING PLACEMENT OF FOUNDATION WALL REINFORCEMENT**

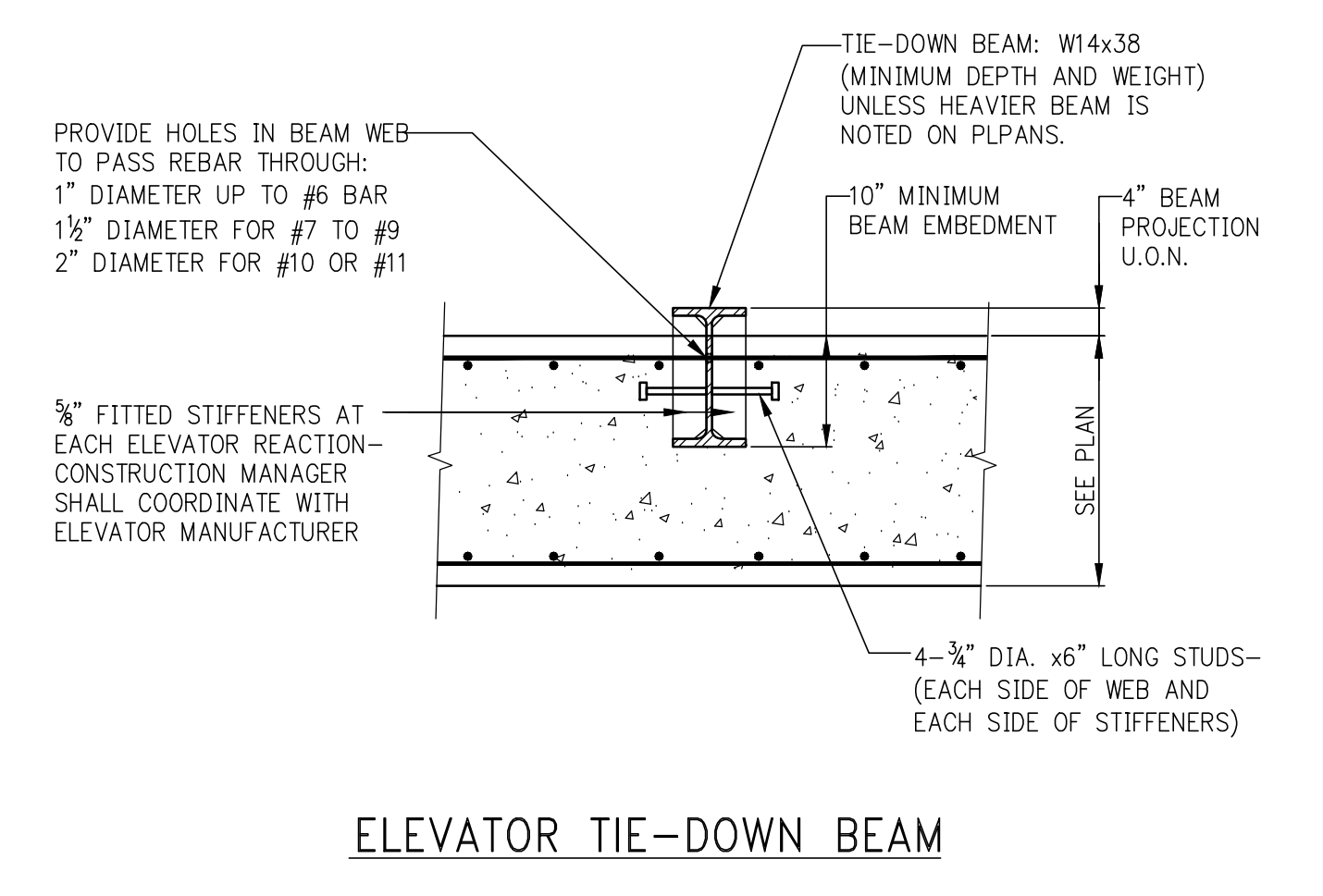
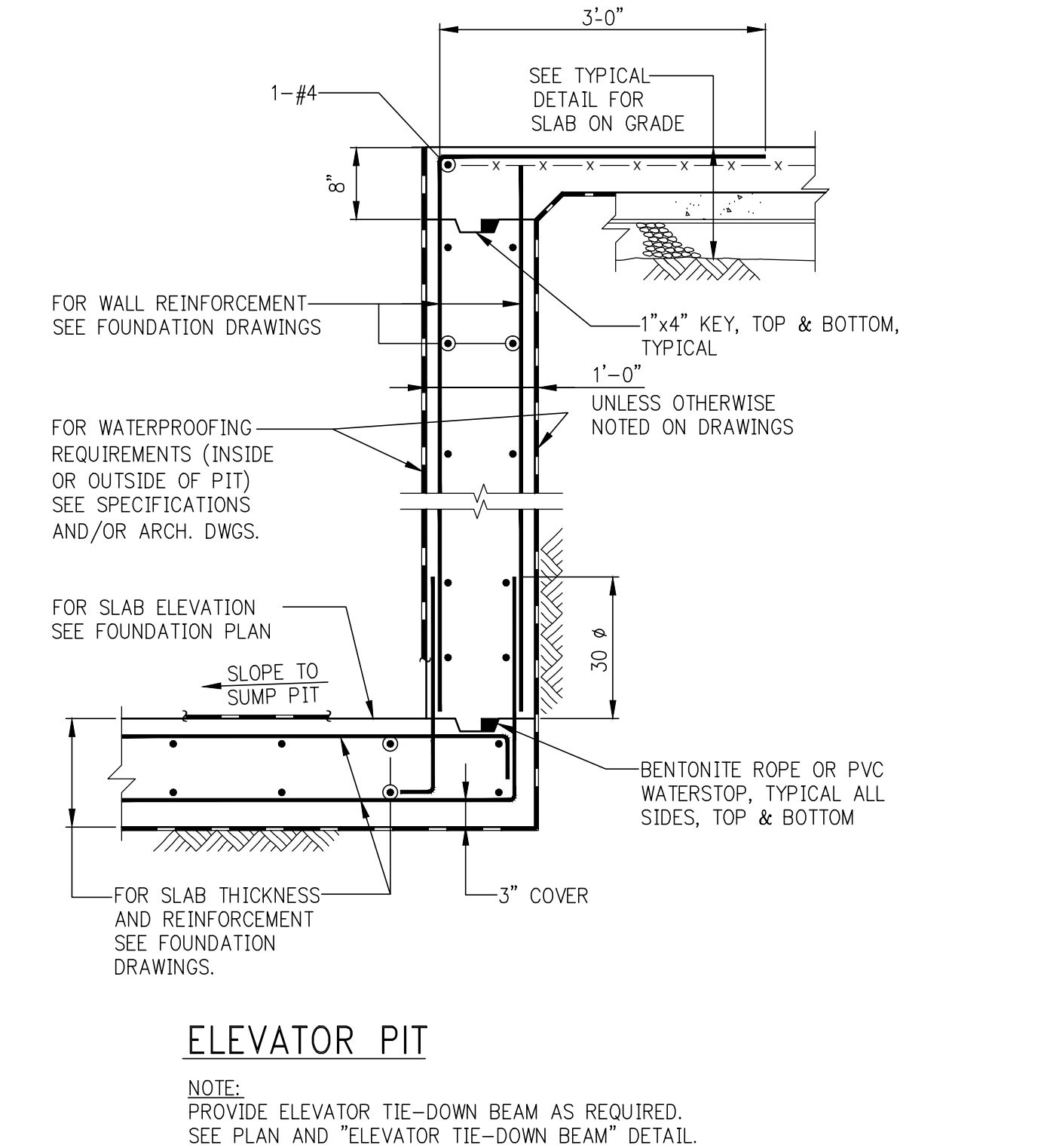
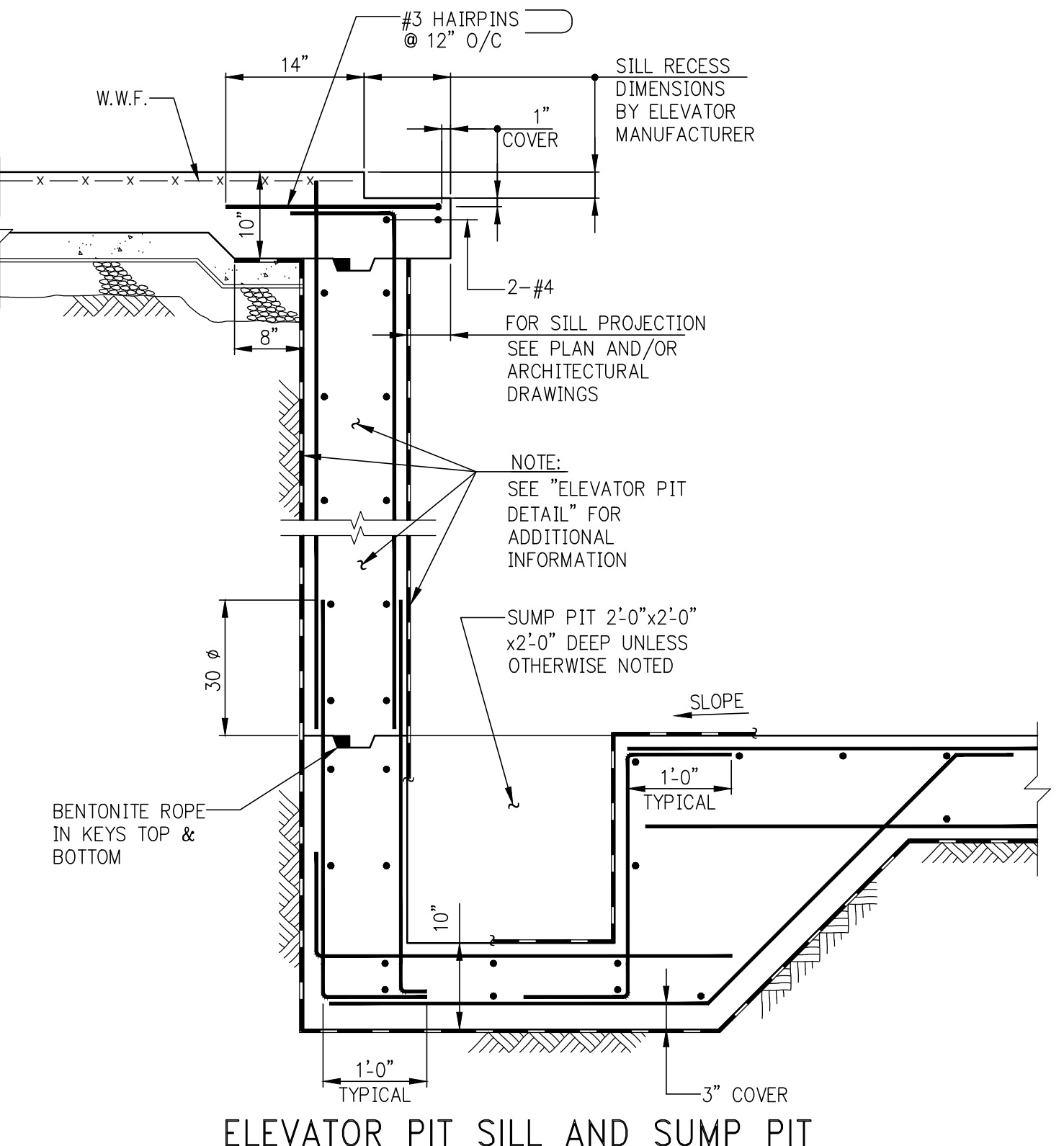
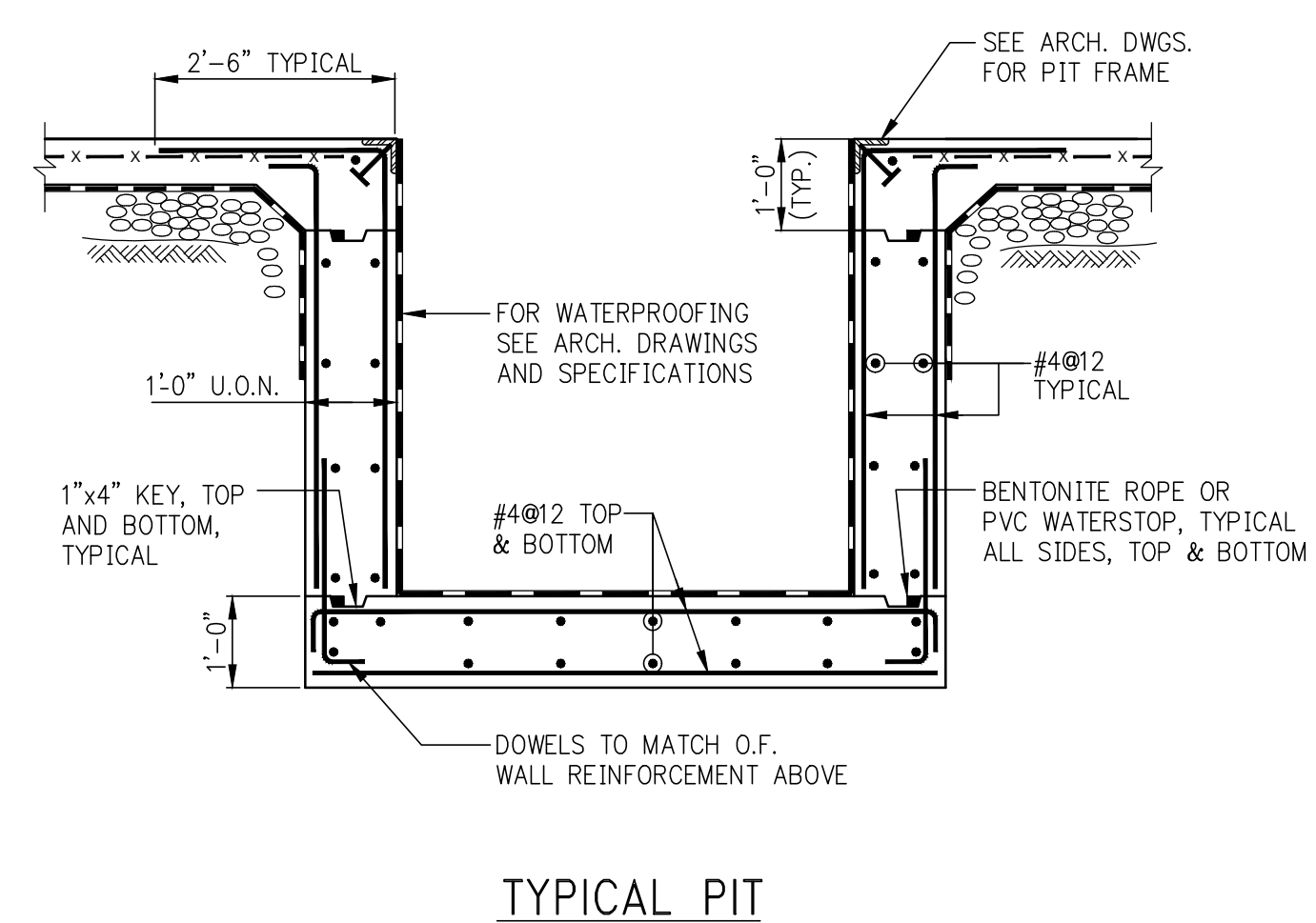
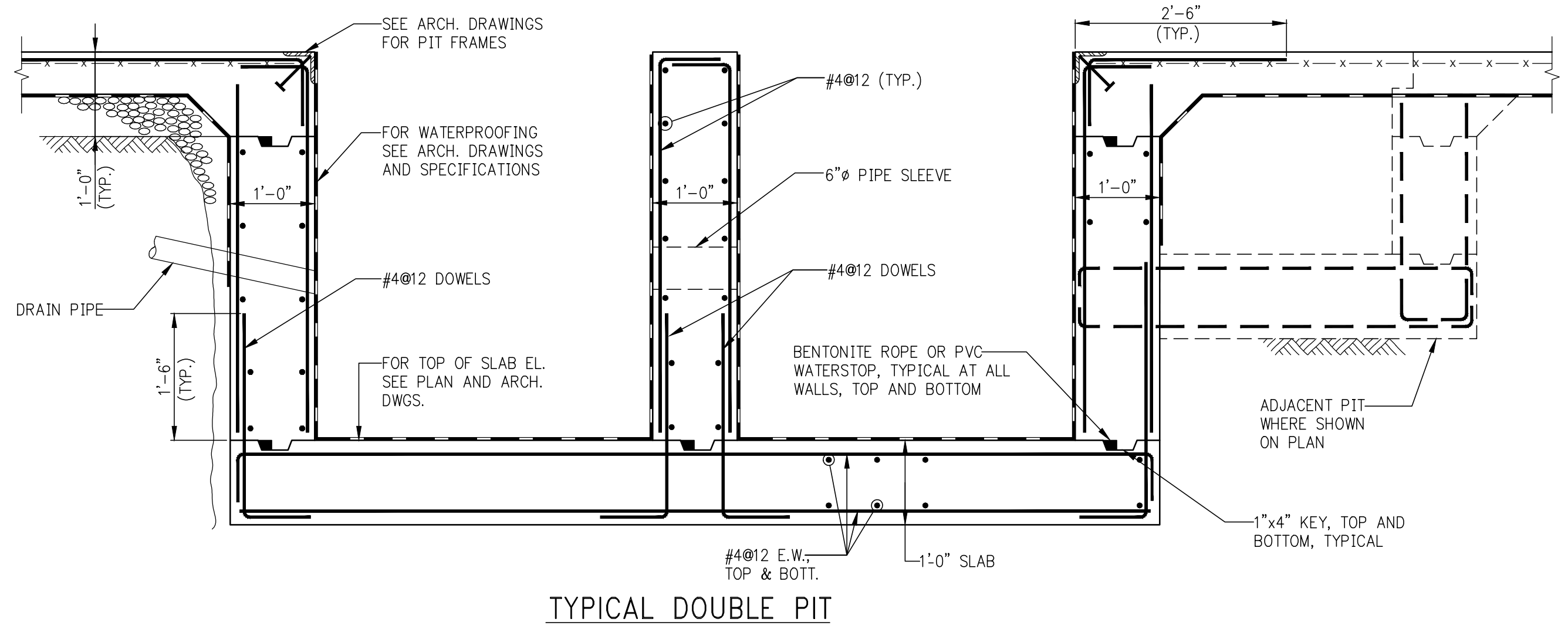
NOTE:  
 VERTICAL CONSTRUCTION JOINT IN WALL IS NOT SHOWN HERE - SEE TYPICAL CONSTRUCTION JOINT DETAIL

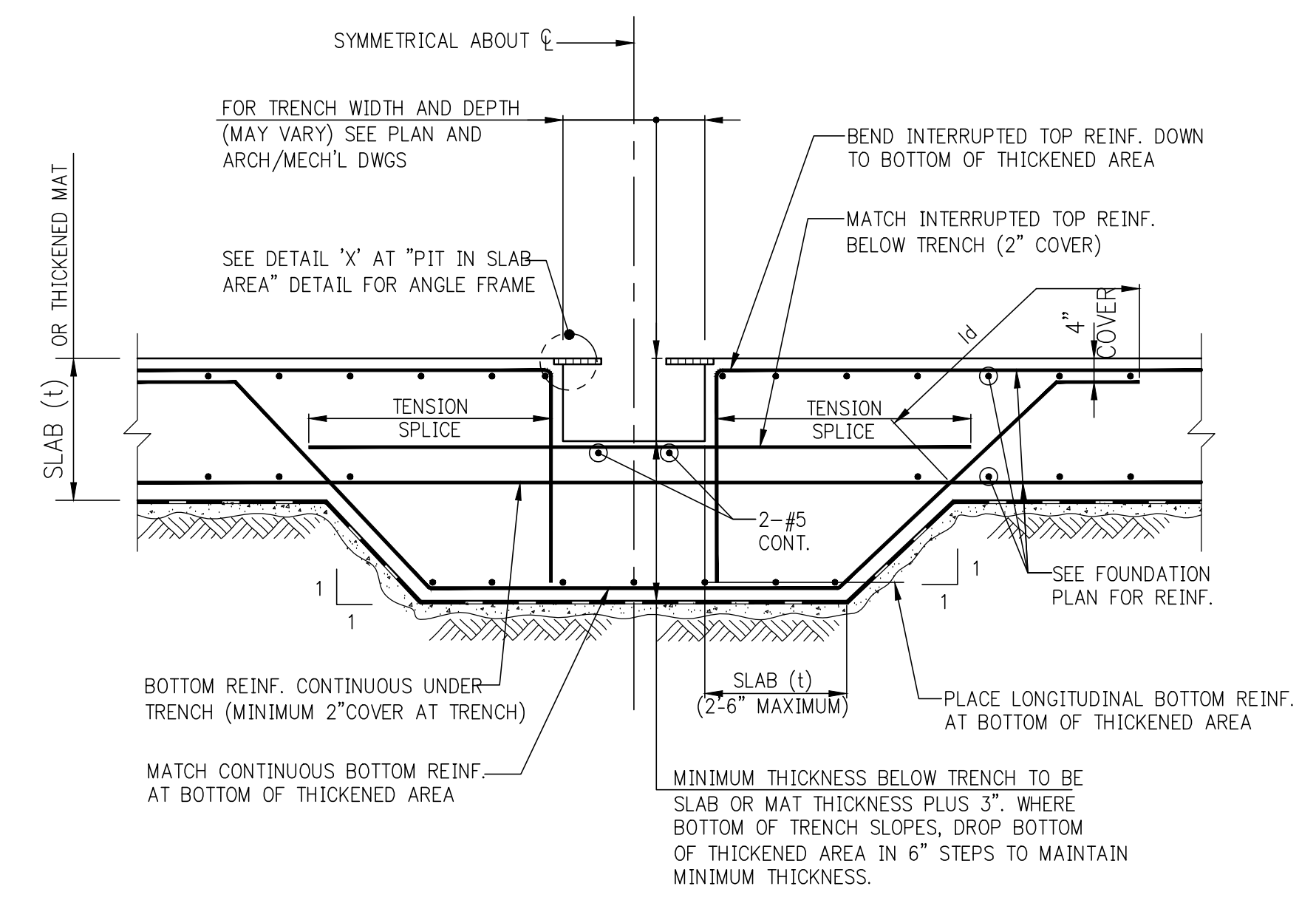


- NOTES:
- ADD #5 BARS (HORIZ. & VERT.) AT ALL FOUR EDGES OF OPENINGS. AREA OF ADDED BARS AT EACH EDGE TO BE EQUAL TO ONE HALF OF AREA OF INTERRUPTED BARS IN THE CORRESPONDING DIRECTION. PROVIDE A MINIMUM OF 1-#5 E.F.
  - WHERE TOP EDGE OF OPENING IS LESS THAN 2'-6" FROM TOP OF WALL ADD 1-#7 E.F. (ON LIEU OF #5) OVER OPENING. PROVIDE #4 [ ] STIRRUPS @ 6" - EXTEND INTO SLAB WITH 2" COVER AT TOP OF STIRRUPS.
  - AT UTILITY ACCESS OPENINGS WHICH ARE TO BE FILLED IN WITH CONCRETE, PROVIDE DOWELS PROJECTING 1'-0" INTO OPENING, EITHER EXTEND HORIZONTAL AND VERTICAL WALL REINFORCEMENT, OR ADD #4@12 E.F. DOWELS X2'-6" LONG.
  - FOR ACTUAL OPENING SIZES AND LOCATIONS, SEE PLANS, SECTIONS, ARCHITECTURAL DWGS. AND MEP DWGS. SUBMIT SHOP DRAWINGS WITH WALL ELEVATIONS SHOWING ALL OPENINGS AND REINFORCEMENT.
  - PROVIDE FOOTING OR CONCRETE MUD SLAB TO SUPPORT WALL FORMS AND WET CONCRETE. SEE FOUNDATION SECTIONS ON FS-300 SERIES DRAWINGS FOR ADDITIONAL DETAILS.

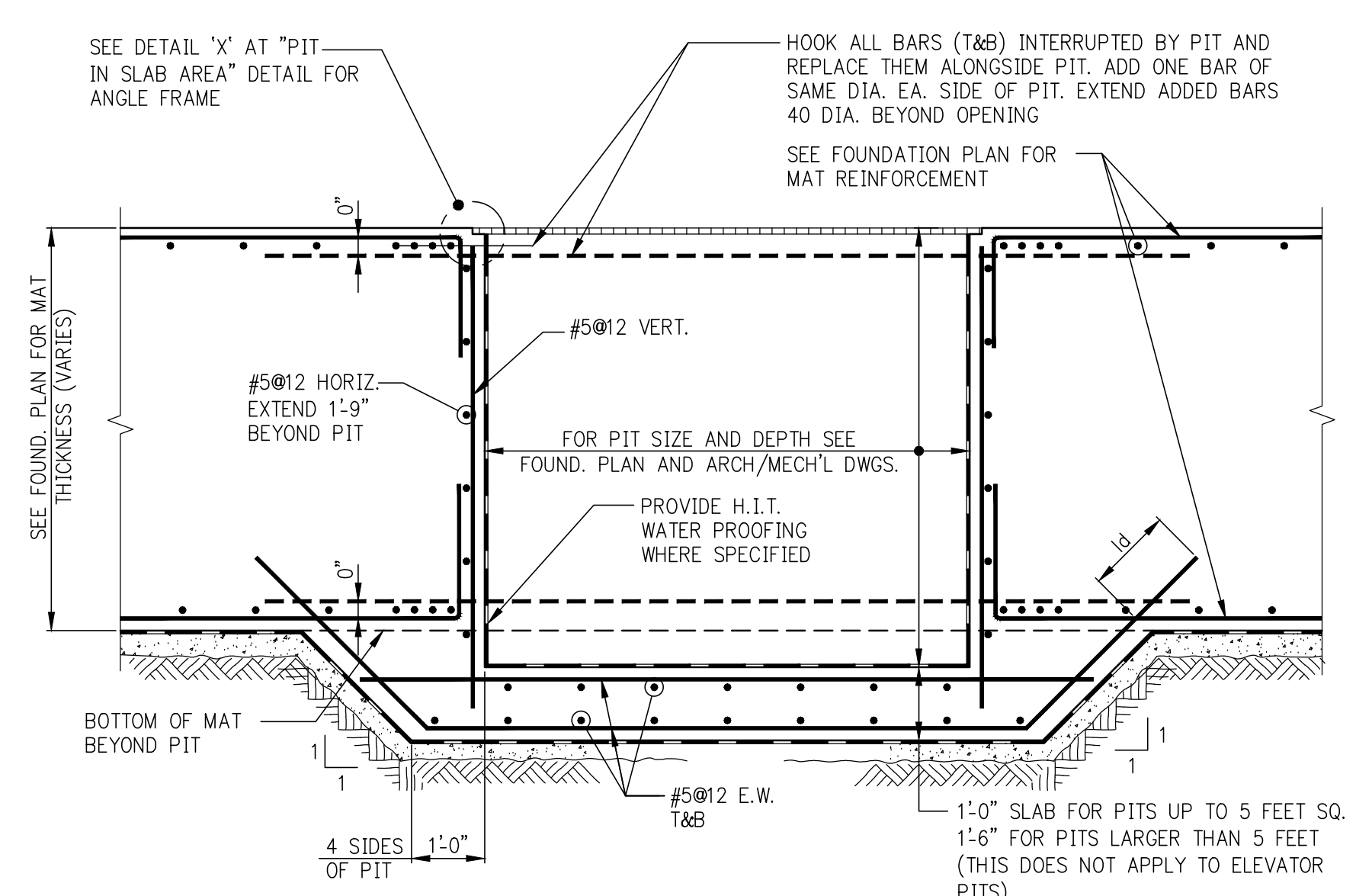


- NOTES:
- CONSTRUCTION JOINTS IN WALLS SHALL BE LOCATED AT LEAST FOUR FEET FROM FACE OF SUPPORTING PIER, FOOTING, PILE CAP, ETC. OR FROM WALL OPENING.
  - MAXIMUM SPACING BETWEEN JOINTS SHALL BE FORTY FEET UNLESS NOTED OTHERWISE ON THE FOUNDATION DRAWINGS.
  - CONCRETE SHALL NOT BE PLACED IN THE POUR GAP UNTIL 24 HOURS AFTER PLACEMENT OF THE MOST RECENT ADJACENT SECTION.
  - FOR JOINTS IN SHEARWALLS SEE DETAILS IN FS-400 OR S-400 SERIES.

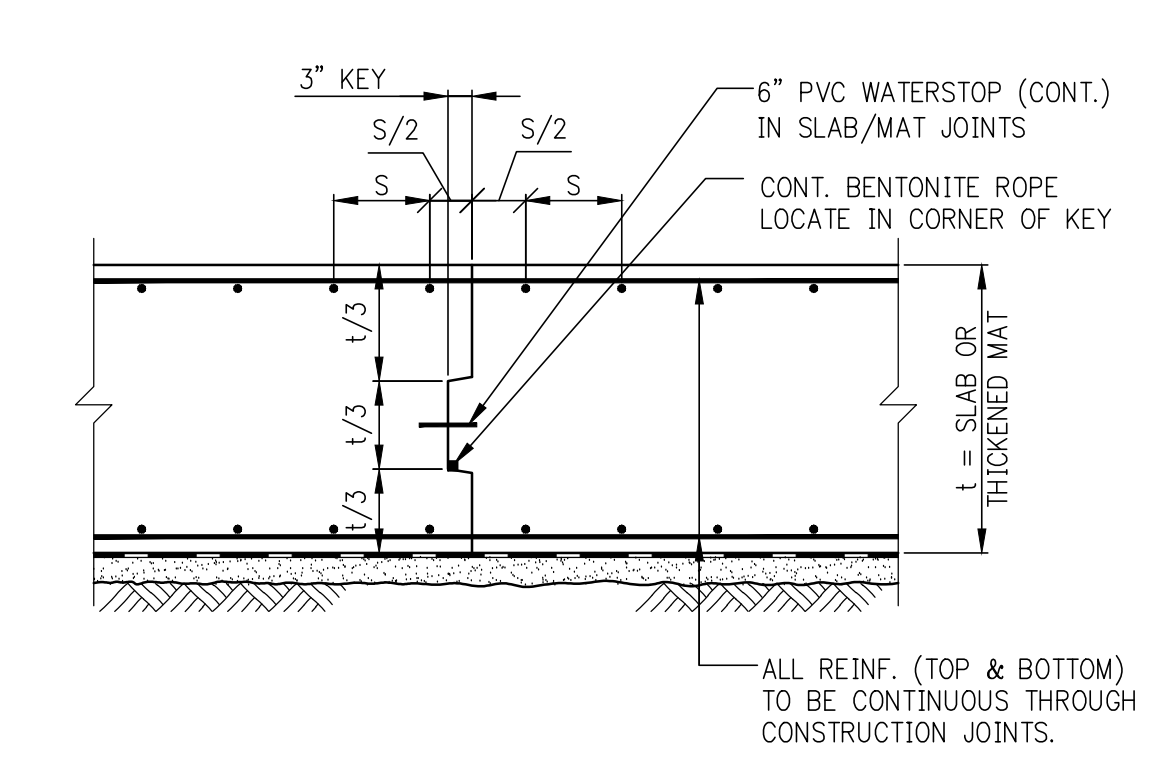




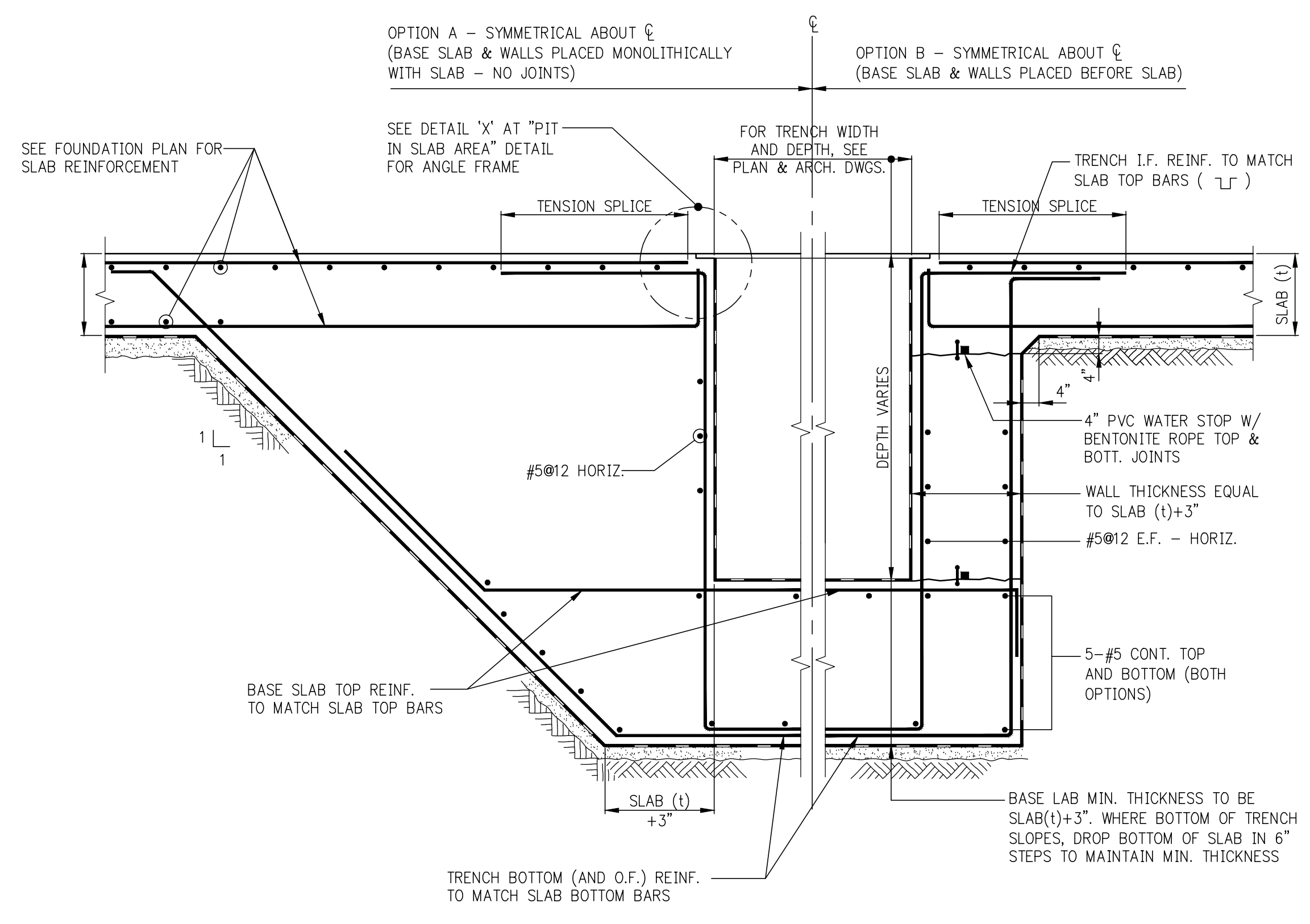
MAT FOUNDATION SHALLOW TRENCH IN PRESSURE SLAB OR MAT



MAT FOUNDATION PIT IN THICKENED MAT

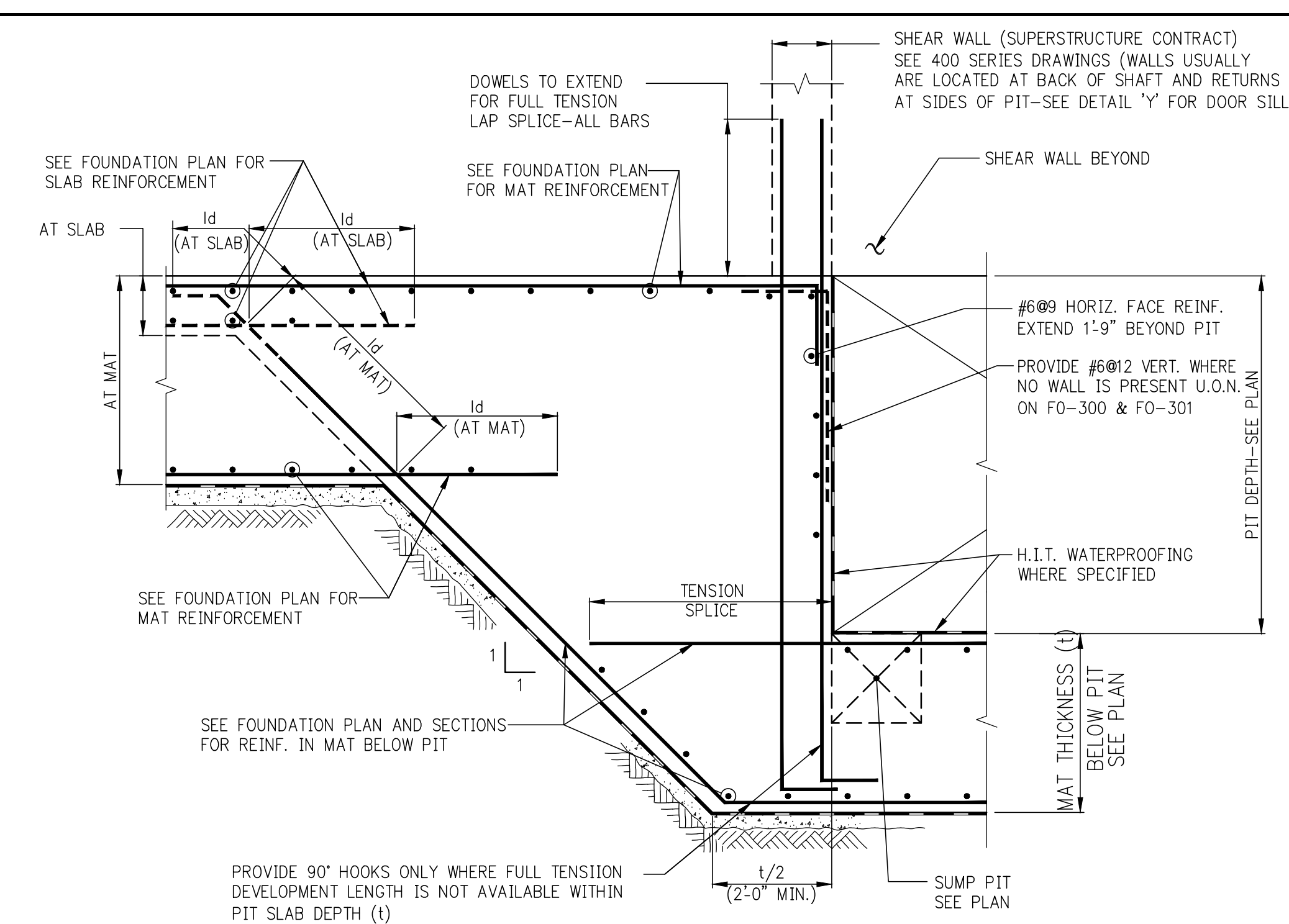


MAT FOUNDATION CONSTRUCTION JOINT

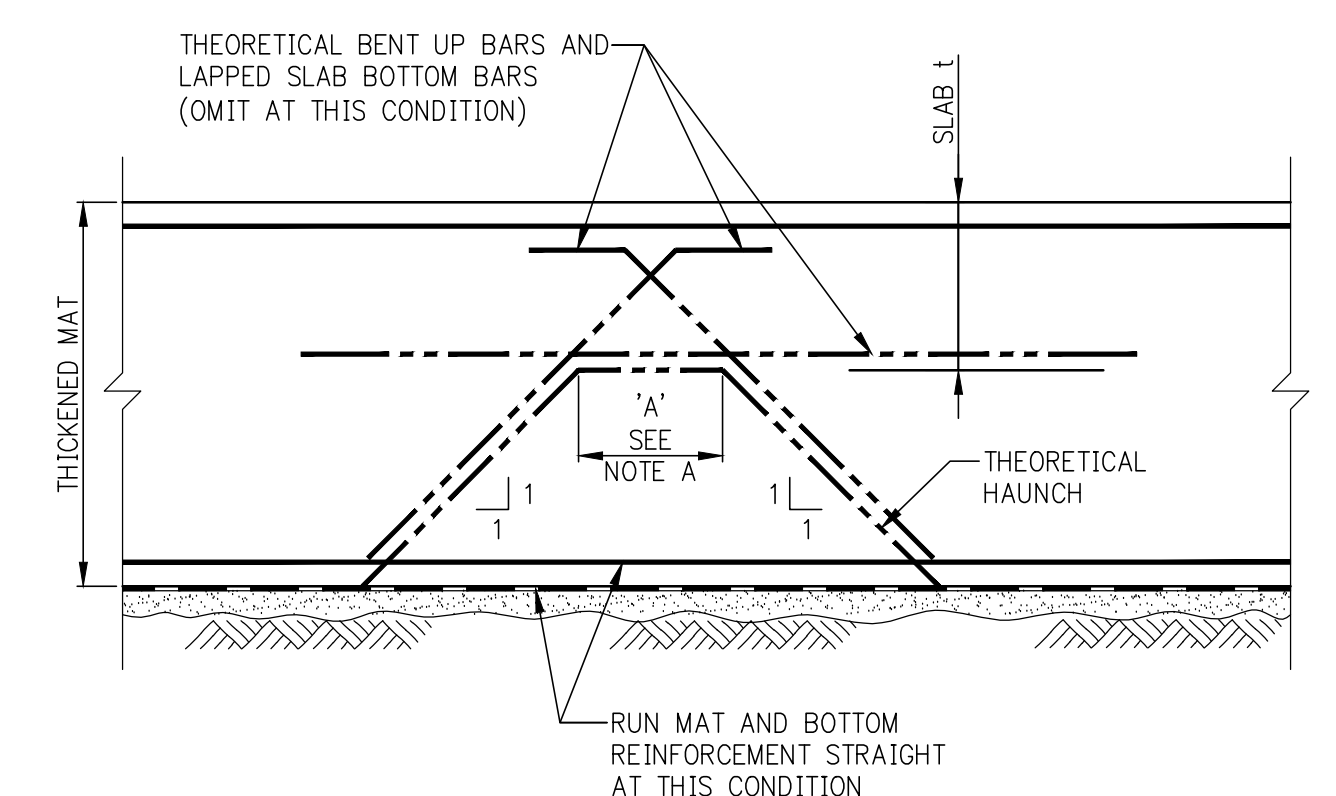


MAT FOUNDATION TRENCH IN PRESSURE SLAB AREA (DEEPER THAN SLAB)

**NOTE:**  
TOP AND BOTTOM SLAB REINF. MUST BE LAP SPLICED AND HOOKED AS SHOWN TO MAINTAIN MOMENT CAPACITY CONTINUITY.

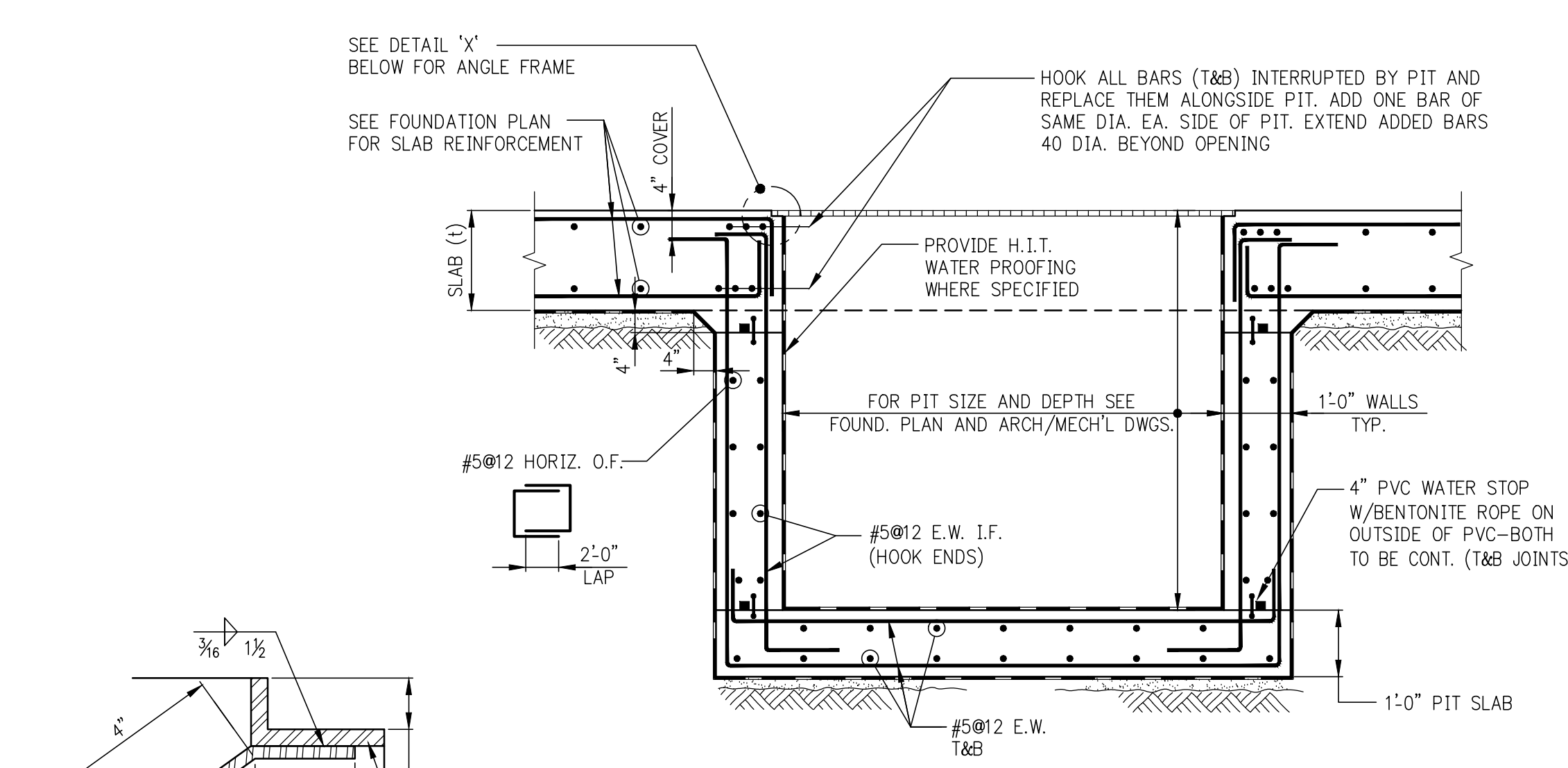


MAT FOUNDATION ELEVATOR PIT (3 SIDES)



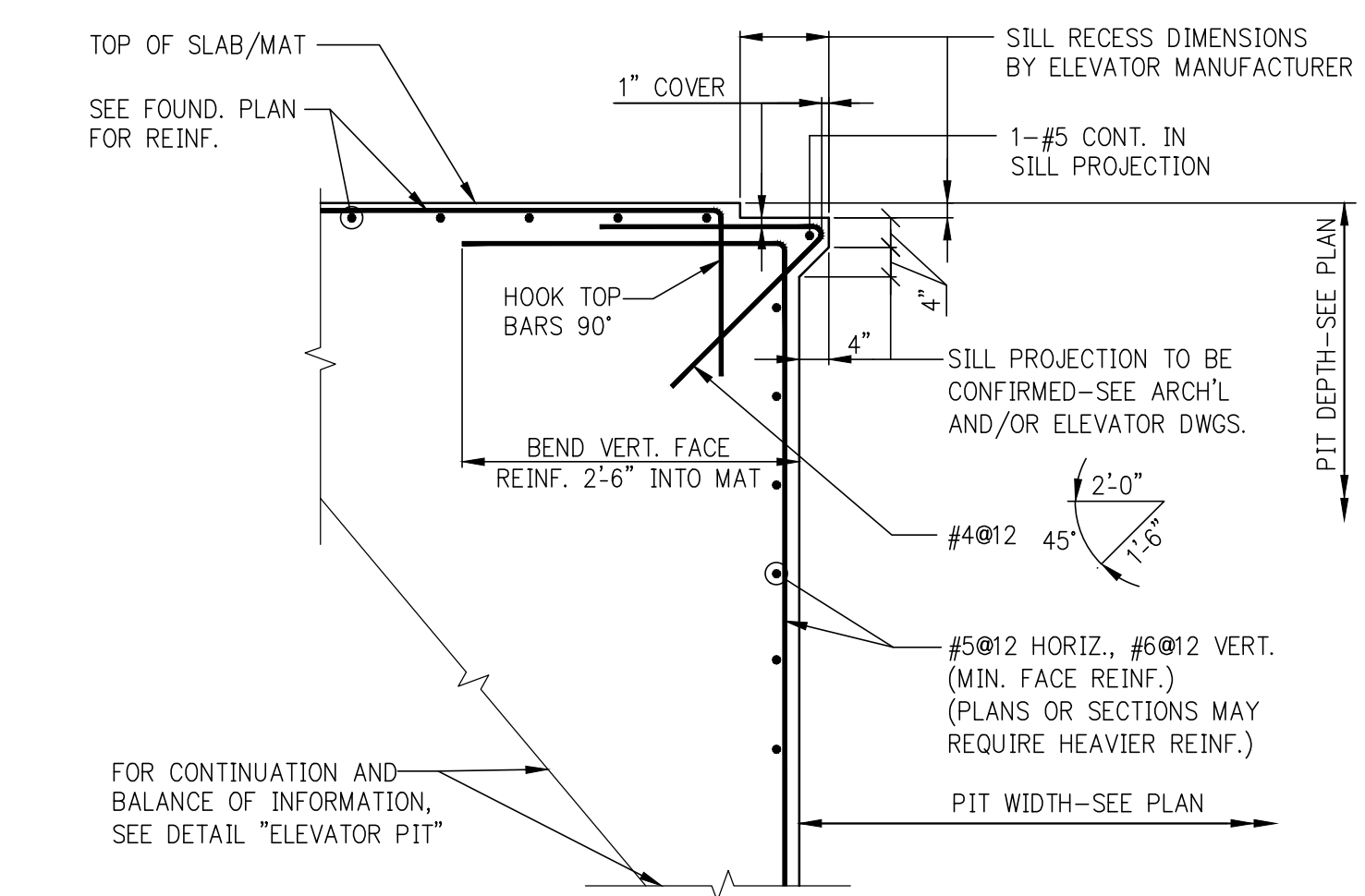
MAT FOUNDATION CONDITION WHERE THEORETICAL HAUNCHES ARE TO BE OMITTED

**NOTE A:**  
WHEN THEORETICAL DIMENSION 'A' IS LESS THAN 1'-6", OMIT HAUNCHES REPRESENTED BY DASHED LINES



MAT FOUNDATION PIT IN SLAB AREA

DETAIL X



MAT FOUNDATION DETAIL 'Y' AT ELEVATOR SILL RECESS

PROJECT:  
**138 EAST 50TH ST.  
NEW YORK, NY**

OWNER/DEVELOPER:  
**CERUZZI PROPERTIES, LLC**  
400 PARK AVENUE, 5TH FLOOR  
NEW YORK, NY 10022  
TEL: (212) 300-1700

ARCHITECT OF RECORD:  
**SLICE Architects, LLP**  
1359 BROADWAY, 14TH FLOOR  
NEW YORK, NY 10018  
TEL: (212) 979-8400  
FAX: (212) 979-8387

DESIGN ARCHITECT:  
**Pelli Clarke Pelli Architects**  
322 EIGHTH AVENUE  
NEW YORK, NY 10001  
TEL: (212) 417-9494  
FAX: (212) 417-9497

STRUCTURAL ENGINEER:  
**WSP**  
228 East 45th St.  
New York, NY 10017  
(212) 687-0888  
www.wspgroup.com/usa

M.E.P. ENGINEER:  
**MGE**  
115 West 32nd Street, 12th Floor, New York, NY 10001  
TEL: (212) 625-1000  
FAX: (212) 625-1000  
www.mgepc.net

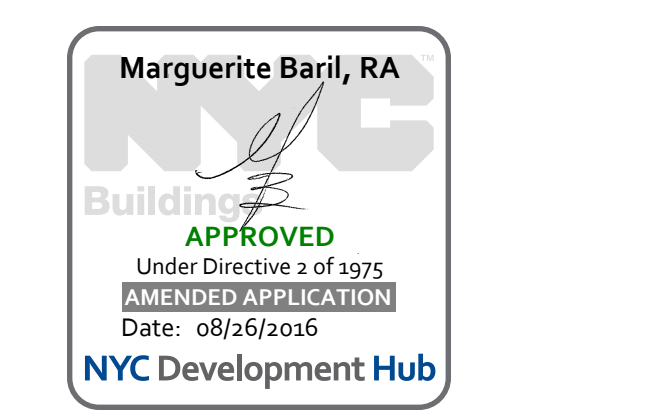
CIVIL ENGINEER:  
**Philip Habib & Associates**  
102 MADISON AVENUE, 11TH FLOOR  
NEW YORK, NY 10016  
TEL: (212) 929-5656  
FAX: (212) 929-5655

DOB EXPEDITOR:  
**JAM Consultants, Inc.**  
104 WEST 29TH STREET, 9TH FLOOR  
NEW YORK, NY 10001  
TEL: (212) 244-4427  
FAX: (212) 244-4497

VERTICAL TRANSPORTATION CONSULTANT:  
**Jenkins & Huntington, Inc.**  
1251 AVENUE OF THE AMERICAS  
NEW YORK, NY 10020  
TEL: (212) 696-1818  
FAX: (212) 696-4528

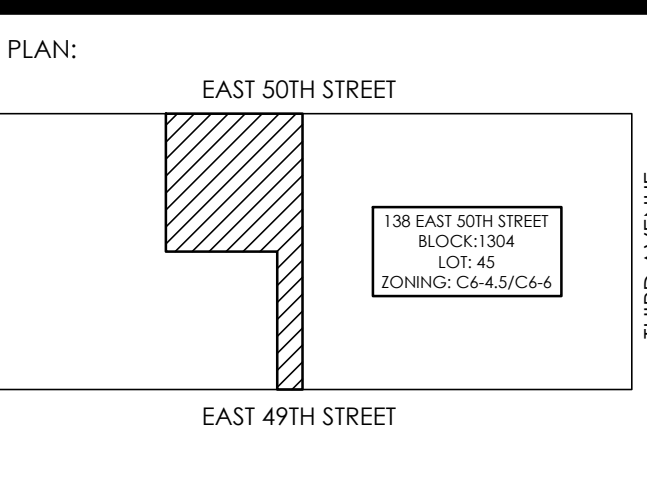
ZONING CONSULTANT:  
**Development Consulting Services**  
330 WEST 42ND STREET  
NEW YORK, NY 10018  
TEL: (212) 714-0285  
FAX: (212) 714-0283

EXTERIOR WALL CONSULTANT:  
**Vidaris, Incorporated**  
340 PARK AVENUE SOUTH, 15TH FL.  
NEW YORK, NY 10010  
TEL: (212) 689-3389



03-18-16	ISSUE TO DOB
02-10-16	REVISED SUPERSTRUCTURE
02-09-16	REVISED FOUNDATION FOR CONSTRUCTION
02-03-16	REVISED SUPERSTRUCTURE
02-03-16	ISSUE FOUNDATION FOR CONSTRUCTION
01-17-16	REVISED SUPERSTRUCTURE FOR BID
09-30-15	ISSUE TO IA
09-10-15	REVISED FOUNDATION
09-21-15	ADDENDUM 1 PRICING SET
08-25-15	ISSUE FOR SUPERSTRUCTURE BID
06-26-15	ISSUE FOR FOUNDATION BID
DATE:	REVISION:

DOB NUMBER:  
**NB#**  
NORTH  
SCALE: 1/4" = 1'-0"



PROJECT:  
**138 EAST 50TH STREET  
NEW YORK, N.Y.**

DRAWING TITLE:  
**TYPICAL FOUNDATION DETAILS 3**

SEAL & SIGNATURE:  
**WSP**  
DATE: 05/14/2015  
PROJECT No.: 1990031  
DRAWN BY: CASO  
CHECKED BY: CS  
DWG. No.: **FO-202.00**  
SHEET No.: of 0



PROJECT:  
138 EAST 50TH ST.  
NEW YORK, NY

OWNER/DEVELOPER:  
CERUZZI PROPERTIES, LLC  
400 PARK AVENUE, 5TH FLOOR  
NEW YORK, NY 10022  
TEL: (212) 900-1700

ARCHITECT OF RECORD:  
SLCEArchitects, LLP  
1359 BROADWAY, 14TH FLOOR  
NEW YORK, NY 10018  
TEL: (212) 979-8400  
FAX: (212) 979-8387

DESIGN ARCHITECT:  
Pelli Clarke Pelli Architects  
322 EIGHTH AVENUE  
NEW YORK, NY 10001  
TEL: (212) 417-9476  
FAX: (212) 417-9477

STRUCTURAL ENGINEER:  
WSP  
228 East 45th St.  
New York, NY 10017  
(212) 687-9888  
www.wspgroup.com/usa

M.E.P. ENGINEER:  
MGE  
115 West 120th Street, 12th Floor, New York, NY, NY 10001  
P212451005 F212451009 www.mgeeng.com

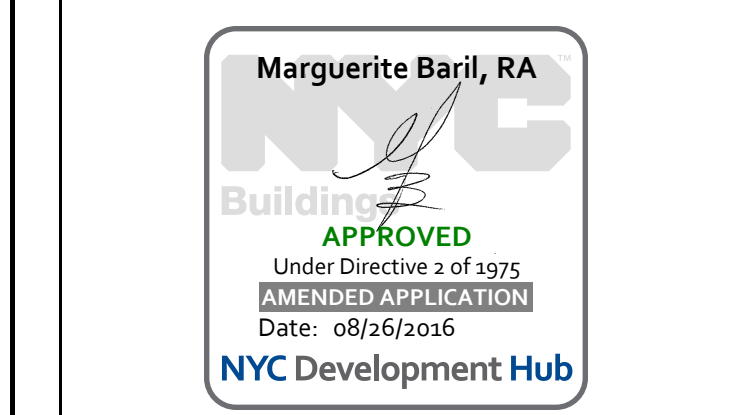
CIVIL ENGINEER:  
Philip Habib & Associates  
102 MADISON AVENUE, 11TH FLOOR  
NEW YORK, NEW YORK 10016  
TEL: (212) 929-5656  
FAX: (212) 929-5655

DOB EXPEDITOR:  
JAM Consultants, Inc.  
104 WEST 29TH STREET, 9TH FLOOR  
NEW YORK, NEW YORK 10001  
TEL: (212) 244-4477  
FAX: (212) 244-4497

VERTICAL TRANSPORTATION CONSULTANT:  
Jenkins & Huntington, Inc.  
1251 AVENUE OF THE AMERICAS  
NEW YORK, NEW YORK 10020  
TEL: (212) 696-1818  
FAX: (212) 696-4528

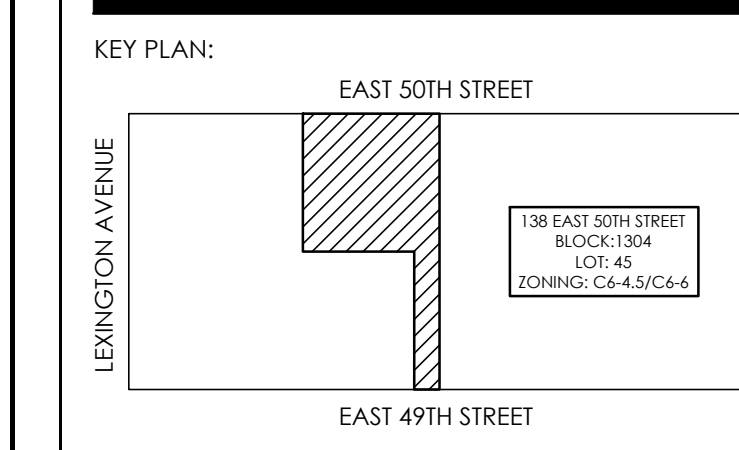
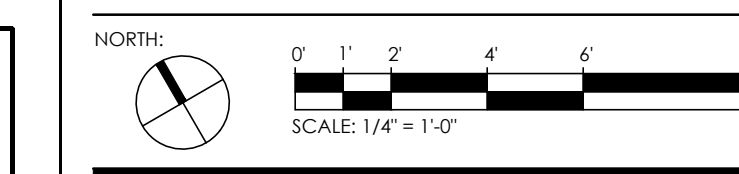
ZONING CONSULTANT:  
Development Consulting Services  
330 WEST 42ND STREET  
NEW YORK, NEW YORK 10036  
TEL: (212) 714-0282  
FAX: (212) 714-0283

EXTERIOR WALL CONSULTANT:  
Vidaris, Incorporated  
360 PARK AVENUE SOUTH, 15TH FL.  
NEW YORK, NEW YORK 10010  
TEL: (212) 689-3389



03-18-16	ISSUE TO DOB
02-10-16	REVISED SUPERSTRUCTURE
02-08-16	REVISED FOUNDATION FOR CONSTRUCTION
02-03-16	REVISED SUPERSTRUCTURE
02-03-16	ISSUE FOUNDATION FOR CONSTRUCTION
01-17-16	REVISED SUPERSTRUCTURE FOR BID
09-30-15	ISSUE TO IA
09-10-15	REVISED FOUNDATION
09-21-15	ADDENDUM 1 PRELIM SET
08-25-15	ISSUE FOR SUPERSTRUCTURE BID
06-26-15	ISSUE FOR FOUNDATION BID

DOB NUMBER:  
NB#



PROJECT:  
138 EAST 50TH STREET  
NEW YORK, N.Y.

DRAWING TITLE:  
TYPICAL FOUNDATION DETAILS 4

SEAL & SIGNATURE:  
DATE: 05/14/2015  
PROJECT No.: 199031  
DRAWN BY: CASO  
CHECKED BY: CS  
DWG. No.:  
FO-203.00  
SHEET No.: of 0

TABLE #1:  
TENSION LAP SPlice LENGTHS (CLASS B MINIMUM)

TABLE 1.A: 3/4" COVER TO OUTER LAYER BARS OUTER LAYER LAP LENGTHS (IN INCHES)										TABLE 1.C: 1 1/2" COVER TO OUTER LAYER BARS OUTER LAYER LAP LENGTHS (IN INCHES)									
NOTE: USE TABLE 1.A IF BAR SPACING IS LESS THAN 4" O/C UP TO #8. 5" O/C FOR #9, #10, #11										NOTE: USE TABLE 1.A IF BAR SPACING IS LESS THAN 4" O/C UP TO #8. 5" O/C FOR #9, #10, #11									
#3	16	16	16	16	16	16	16	16	16	#3	16	16	16	16	16	16	16	16	16
#4	21	20	20	20	20	20	20	20	20	#4	20	20	20	20	20	20	20	20	20
#5	24	24	24	24	24	24	24	24	24	#5	24	24	24	24	24	24	24	24	24
#6	30	29	29	29	29	29	29	29	29	#6	29	29	29	29	29	29	29	29	29
#7	36	34	34	34	34	34	34	34	34	#7	34	34	34	34	34	34	34	34	34
#8	42	38	38	38	38	38	38	38	38	#8	38	38	38	38	38	38	38	38	38
#9	48	42	42	42	42	42	42	42	42	#9	42	42	42	42	42	42	42	42	42
#10	54	48	48	48	48	48	48	48	48	#10	48	48	48	48	48	48	48	48	48
#11	60	54	54	54	54	54	54	54	54	#11	54	54	54	54	54	54	54	54	54

NOTES FOR TENSION LAP SPLICES

- REINFORCEMENT IS UNCOATED, WITH Fy=60,000 PSI.
- CONCRETE IS NORMAL WEIGHT (144-150#/C.F.).
- FOR "TOP" BAR SPlice LENGTHS ("TOP" IS DEFINED BY ACI 318 AS HAVING MORE THAN 12 INCHES OF FRESH CONCRETE CAST BELOW THE BAR), TABULATED LENGTHS MUST BE MULTIPLIED BY 1.3.
- LENGTHS TABULATED MUST BE MULTIPLIED BY THE FOLLOWING MODIFICATION FACTORS:
  - LIGHTWEIGHT CONCRETE .....1.3
  - EPOXY-COATED BARS:
    - 1) BARS WITH COVER < 3db, OR WITH CLEAR SPACING < 6db -1.5 FOR BOTTOM & VERTICAL BARS, 1.3 FOR "TOP" BARS
    - 2) ALL OTHER CONDITIONS .....1.2
  - FOR EPOXY-COATED "TOP" BARS THE MAXIMUM FOR COMBINED FACTORS = 1.7
- WHERE TENSION DEVELOPMENT LENGTH (Ld) IS REQUIRED ON PLANS OR IN DETAILS, SEE TENSION DEVELOPMENT LENGTH TABLES.
- CLASS A LAP SPlice LENGTHS ARE EQUAL TO TENSION DEVELOPMENT LENGTHS. SEE TABLES FOR TENSION DEVELOPMENT LENGTHS (Ld). APPLY APPROPRIATE MODIFICATION FACTORS TO CLASS A SPlice LENGTHS.

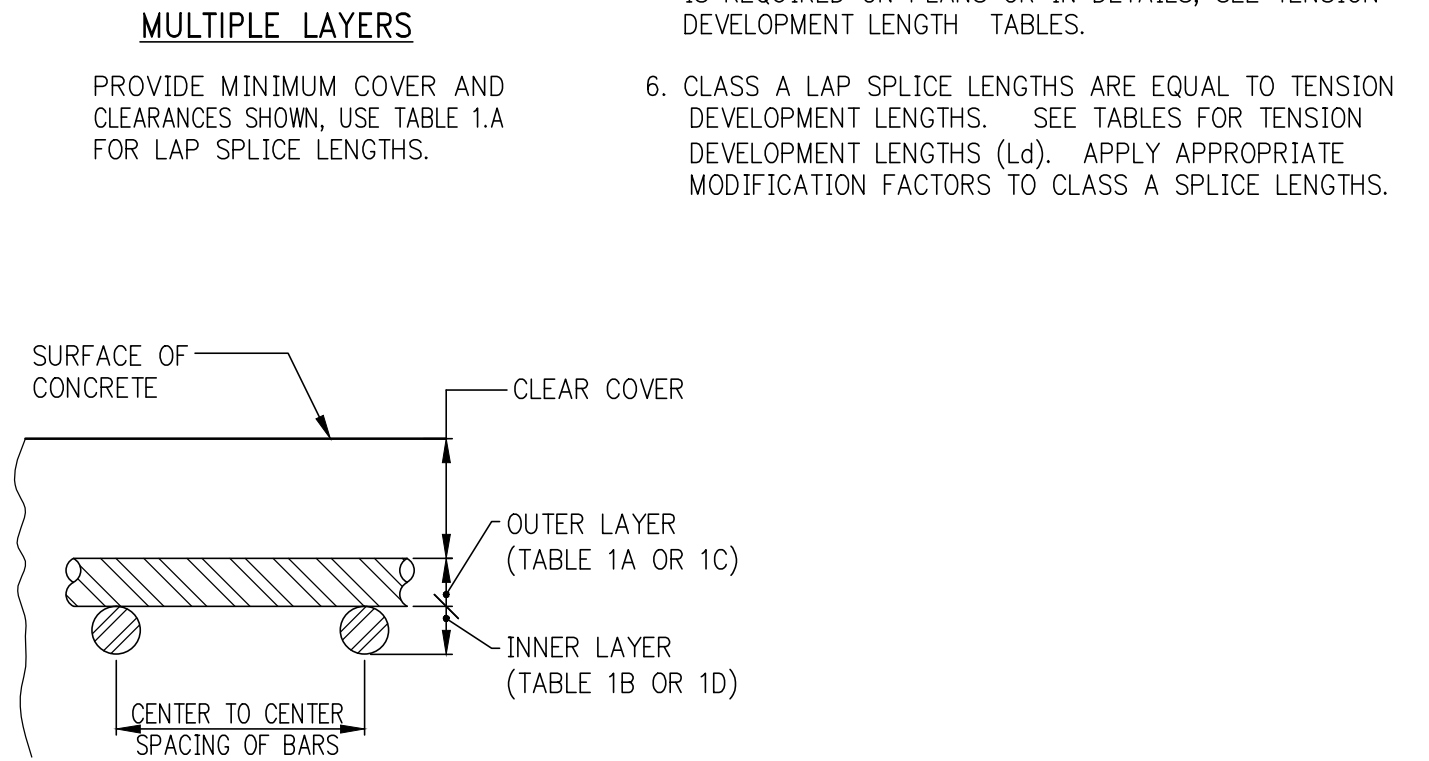
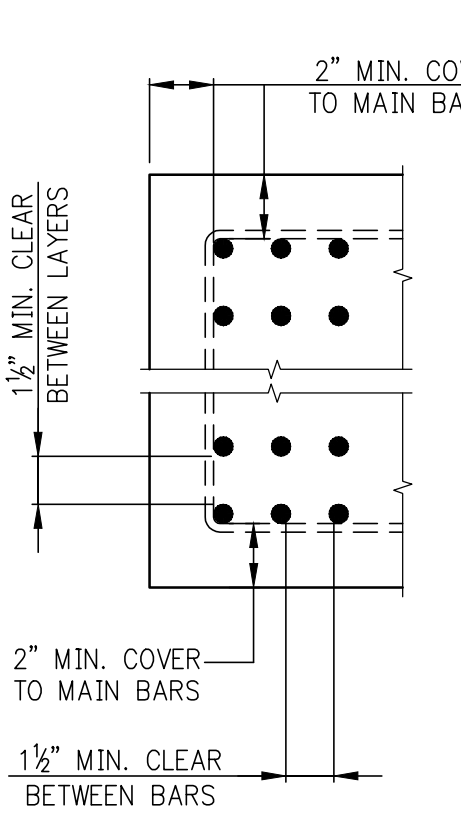


TABLE #2:  
TENSION DEVELOPMENT LENGTHS (Ld) (IN INCHES)

TABLE 2.A: 3/4" COVER TO OUTER LAYER BARS OUTER LAYER DEVELOPMENT LENGTHS										TABLE 2.C: 1 1/2" COVER TO OUTER LAYER BARS OUTER LAYER DEVELOPMENT LENGTHS									
NOTE: USE TABLE 2.A IF BAR SPACING IS LESS THAN 4" O/C UP TO #8. 5" O/C FOR #9, #10, #11										NOTE: USE TABLE 2.A IF BAR SPACING IS LESS THAN 4" O/C UP TO #8. 5" O/C FOR #9, #10, #11									
#3	12	12	12	12	12	12	12	12	12	#3	12	12	12	12	12	12	12	12	12
#4	16	14	13	12	12	12	12	12	12	#4	13	12	12	12	12	12	12	12	12
#5	24	21	19	17	16	15	14	13	13	#5	16	14	13	13	13	13	13	13	13
#6	33	28	25	23	22	20	19	18	18	#6	20	17	15	15	15	15	15	15	15
#7	53	46	41	37	35	32	31	29	29	#7	32	28	25	23	21	20	19	18	18
#8	66	57	51	46	43	40	38	36	36	#8	41	36	32	29	27	25	24	23	23
#9	79	69	61	56	52	49	46	43	43	#9	50	44	39	36	33	31	29	28	28
#10	93	81	72	66	61	57	54	51	51	#10	60	52	47	43	40	37	35	33	33
#11	108	94	84	76	71	66	62	59	59	#11	71	61	55	50	46	43	41	39	39

NOTES FOR TENSION DEVELOPMENT LENGTHS (Ld)

- REINFORCEMENT IS UNCOATED, WITH Fy=60,000 PSI.
- CONCRETE IS NORMAL WEIGHT (144-150#/C.F.).
- FOR "TOP" BAR DEVELOPMENT LENGTHS ("TOP" IS DEFINED BY ACI 318 AS HAVING MORE THAN 12 INCHES OF FRESH CONCRETE CAST BELOW THE BAR), TABULATED LENGTHS MUST BE MULTIPLIED BY 1.3.
- LENGTHS TABULATED MUST BE MULTIPLIED BY THE FOLLOWING MODIFICATION FACTORS:
  - LIGHTWEIGHT CONCRETE .....1.3
  - EPOXY-COATED BARS:
    - 1) BARS WITH COVER < 3db, OR WITH CLEAR SPACING < 6db -1.5 FOR BOTTOM & VERTICAL BARS, 1.3 FOR "TOP" BARS
    - 2) ALL OTHER CONDITIONS .....1.2
  - FOR EPOXY-COATED "TOP" BARS THE MAXIMUM FOR COMBINED FACTORS = 1.7
- WHERE TENSION DEVELOPMENT LENGTH (Ld) IS REQUIRED ON PLANS OR IN DETAILS, SEE TENSION DEVELOPMENT LENGTH TABLES.
- CLASS A LAP SPlice LENGTHS ARE EQUAL TO TENSION DEVELOPMENT LENGTHS. SEE TABLES FOR TENSION DEVELOPMENT LENGTHS (Ld). APPLY APPROPRIATE MODIFICATION FACTORS TO CLASS A SPlice LENGTHS.

TABLE #3  
TENSION DEVELOPMENT LENGTHS FOR STANDARD END HOOKS (ldh) (LENGTHS IN INCHES)

BAR SIZE	CONCRETE STRENGTH (PSI)							
	3,000	4,000	5,000	6,000	7,000	8,000	9,000	10,000
#3	9	7	7	6	6	6	6	6
#4	11	10	9	8	7	7	7	6
#5	14	12	11	10	9	9	8	8
#6	17	15	13	12	11	10	10	9
#7	19	17	15	14	13	12	11	11
#8	22	19	17	16	15	14	13	12
#9	25	22	19	18	16	15	15	14
#10	28	24	22	20	19	17	16	16
#11	31	27	24	22	21	19	18	17
#14	37	32	29	27	25	23	22	21
#18	50	43	39	35	33	31	29	27

- NOTES:
- TABLE 3 CONFORMS TO ACI 318-2002 (AND 2005). TABULATED VALUES ARE BASED UPON ACI 12.5.2, ASSUMING GRADE 60 REINFORCEMENT AND NORMALWEIGHT CONCRETE.
  - PER ACI 12.5.3 (a), FOR #11 AND SMALLER BARS, IF COVER TO BAR IS 2% INCHES OR MORE, AND FOR 90 DEGREE HOOK WITH COVER OR BAR EXTENSION BEYOND HOOK NOT LESS THAN 2 INCHES, A MODIFICATION FACTOR OF 0.7 MAY BE APPLIED. MINIMUM ldh SHALL NOT BE LESS THAN 6db NOR 6 INCHES.

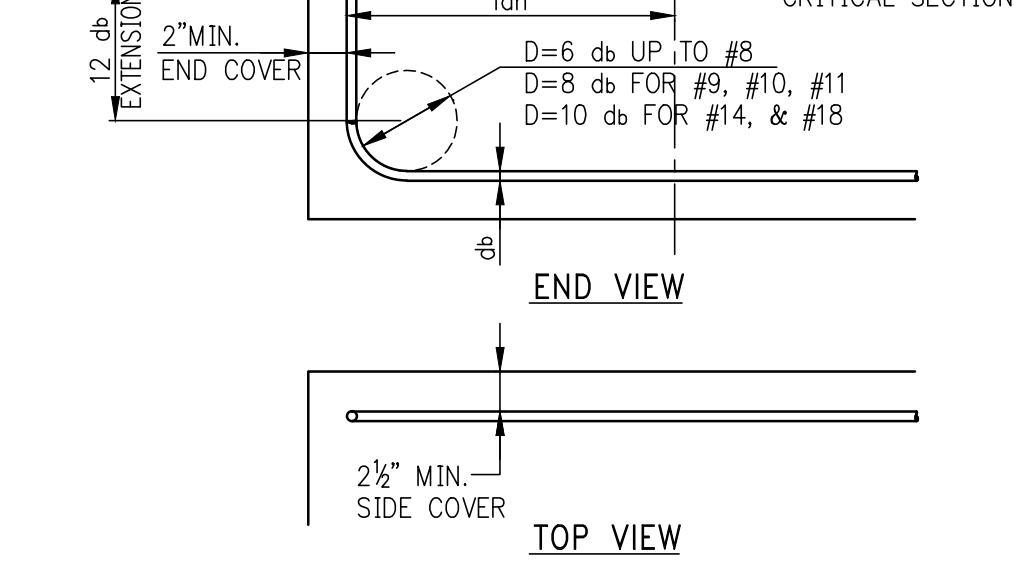


TABLE #4  
COMPRESSION LAP SPLICES (LENGTHS IN INCHES)

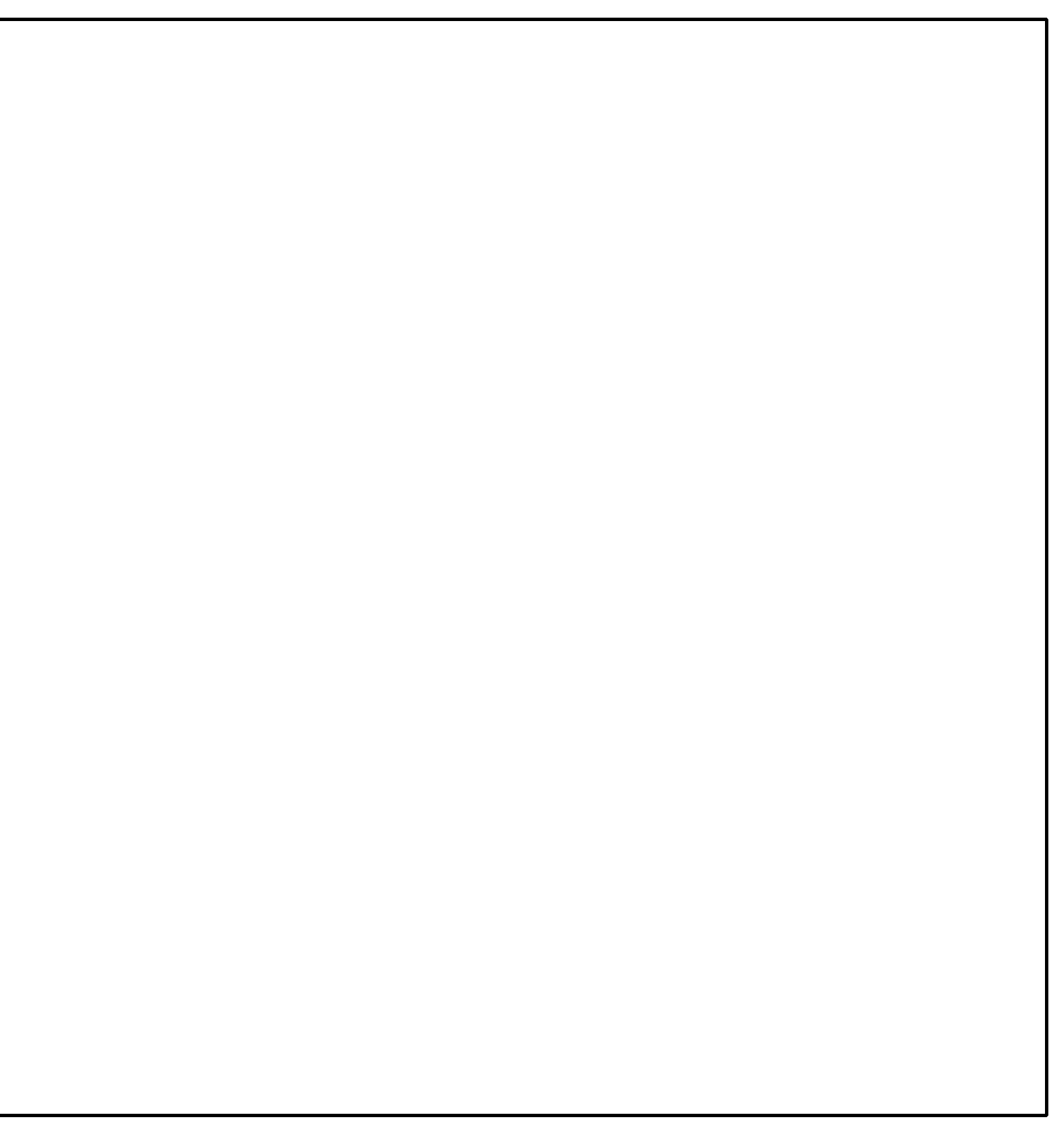
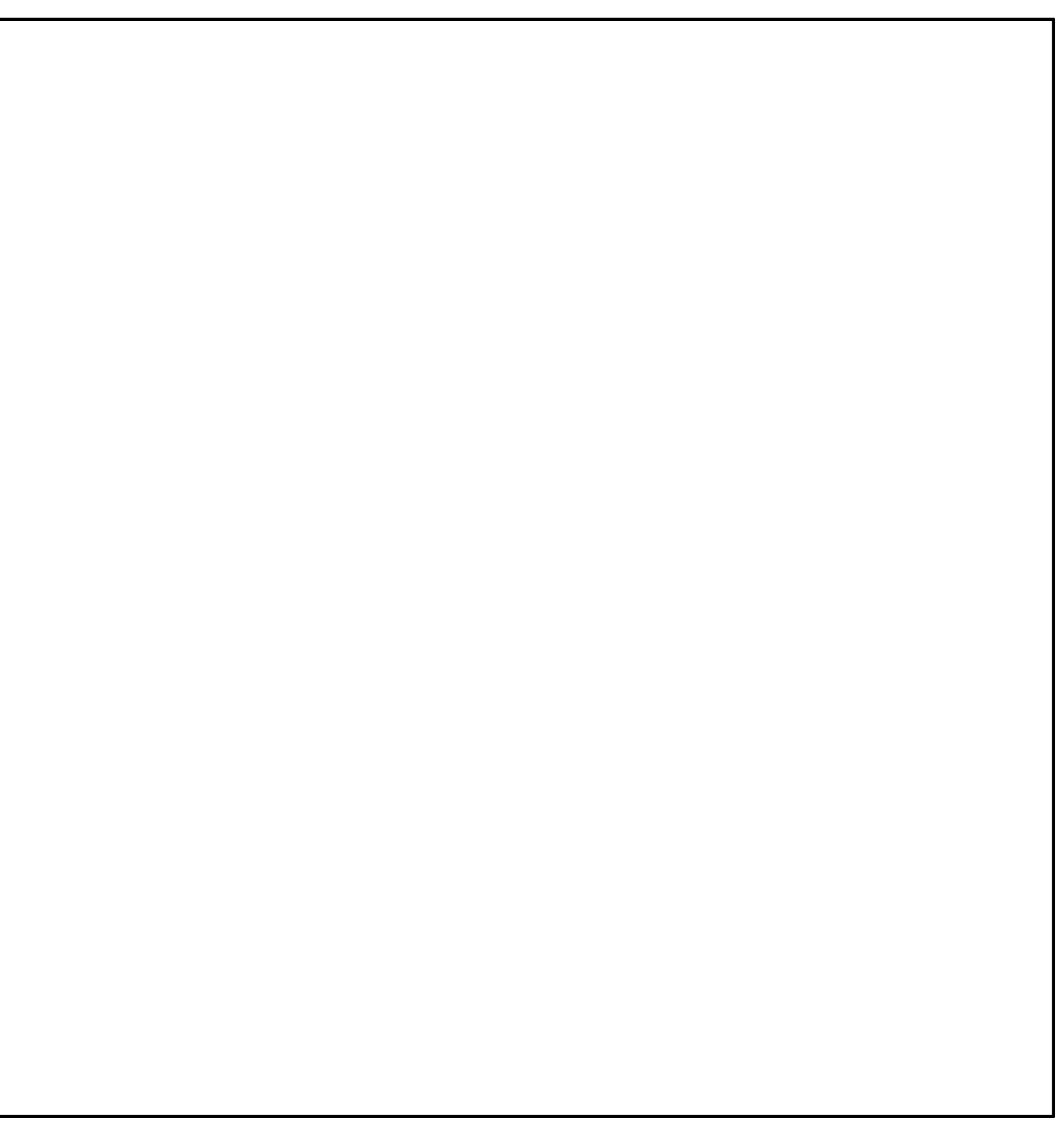
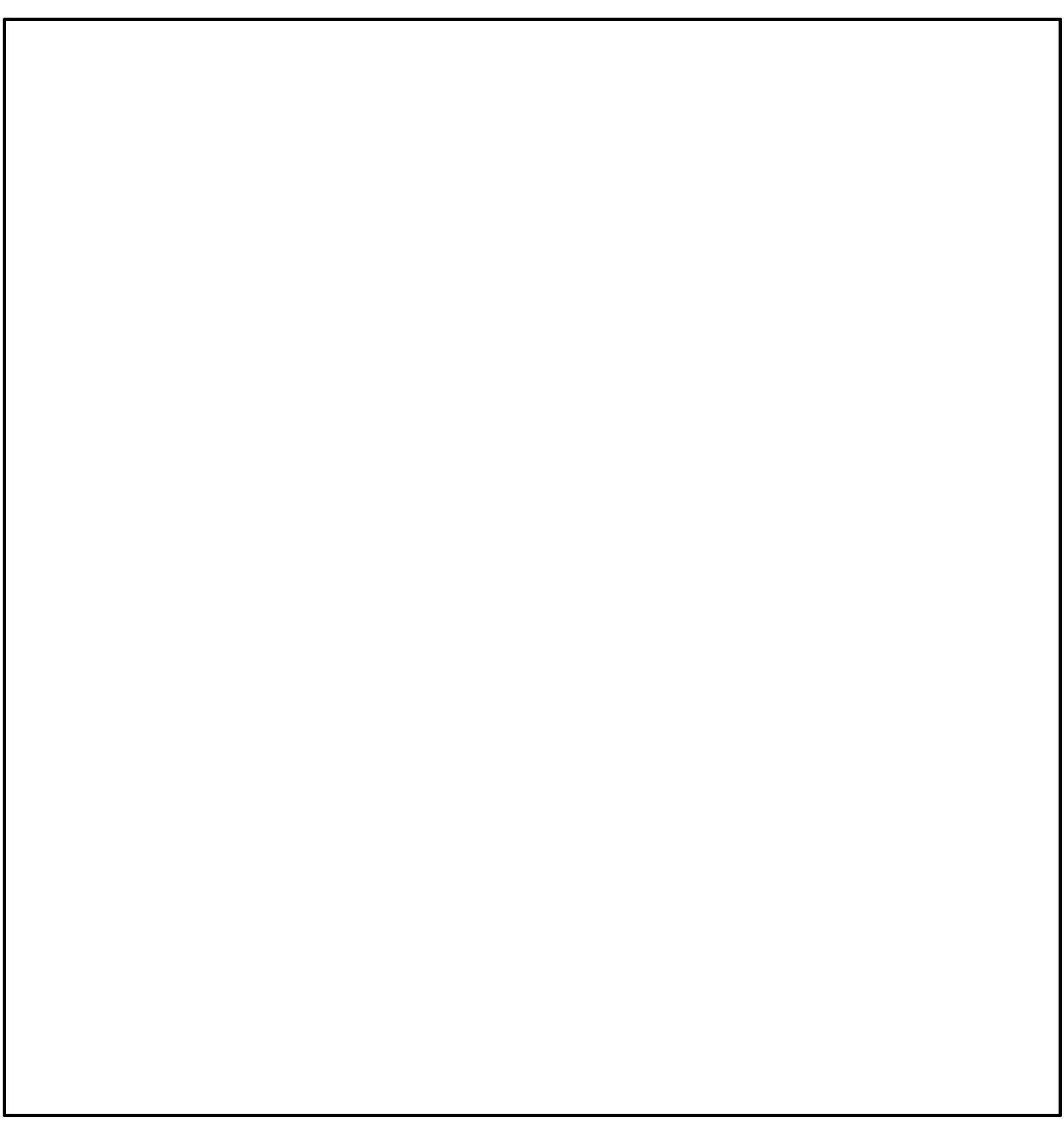
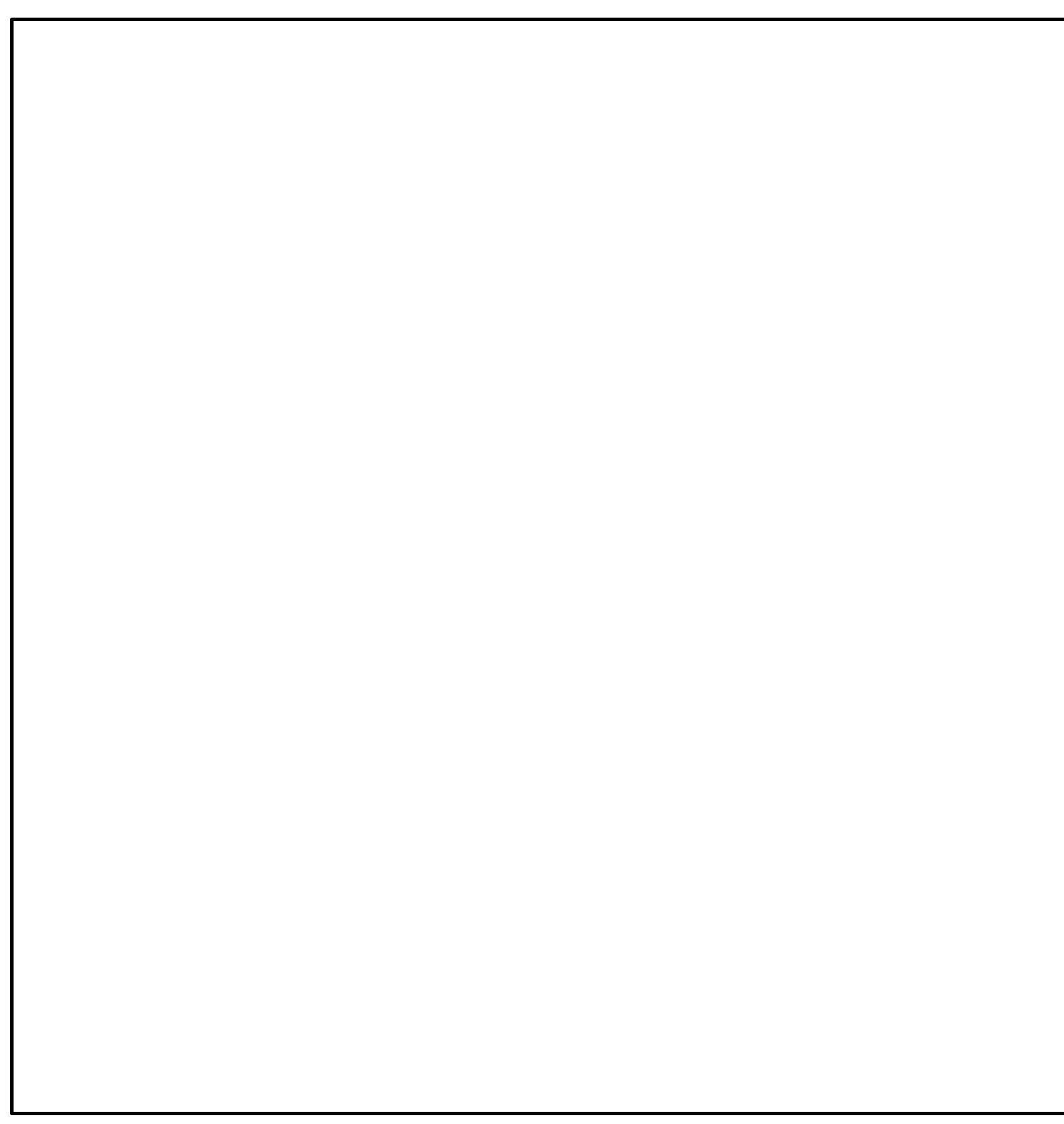
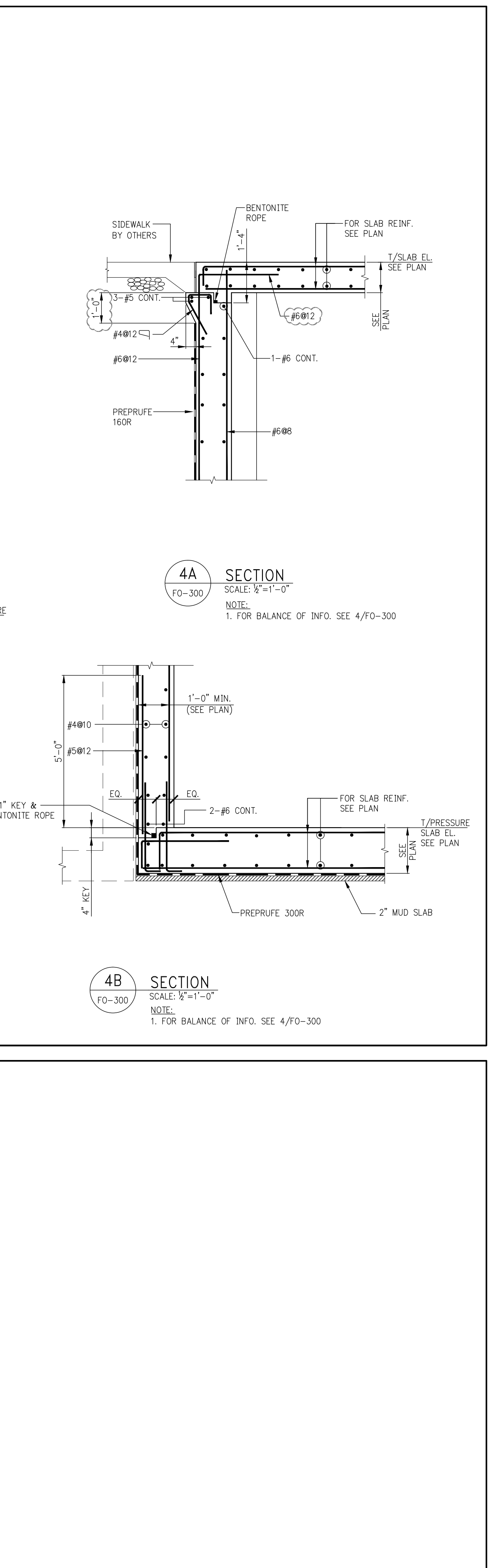
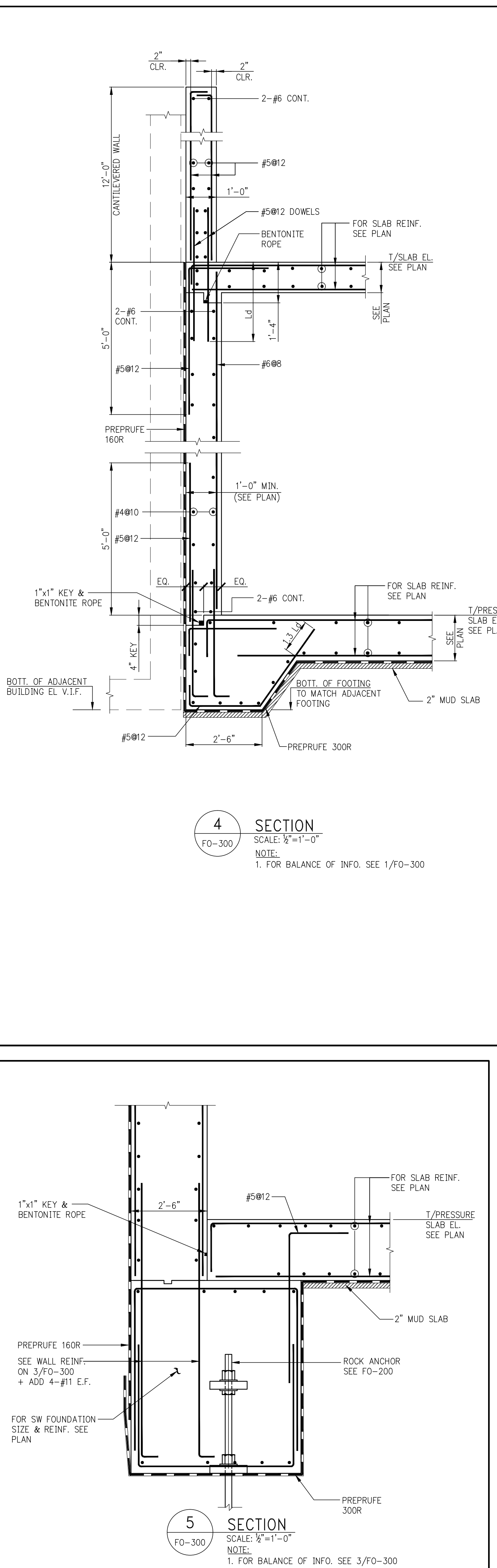
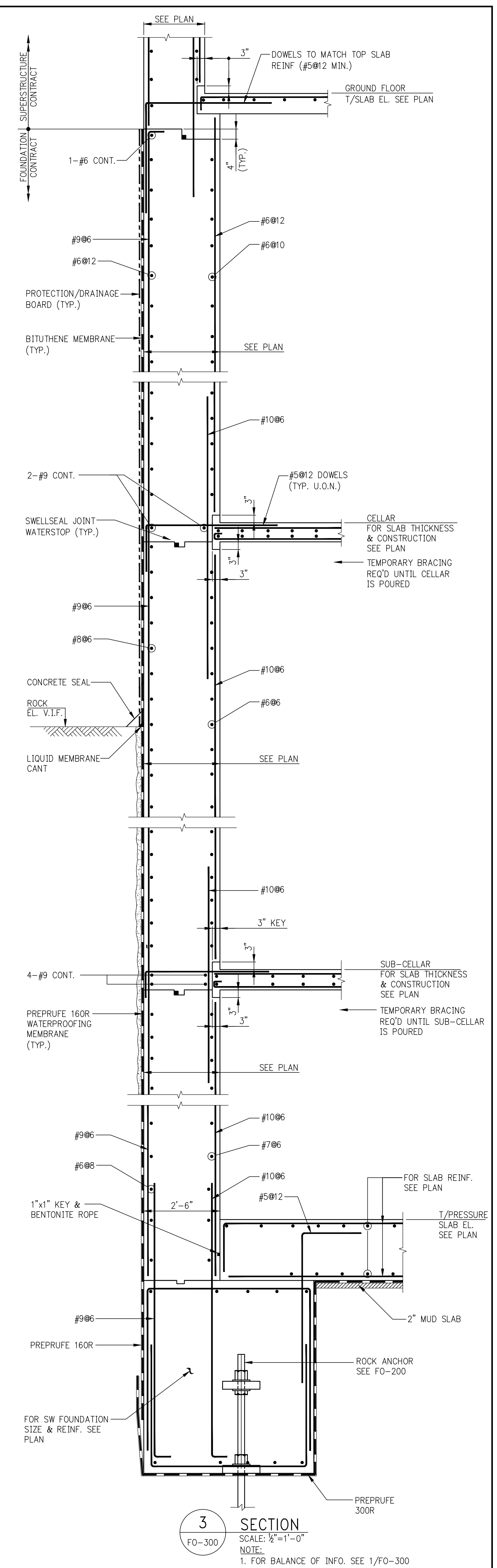
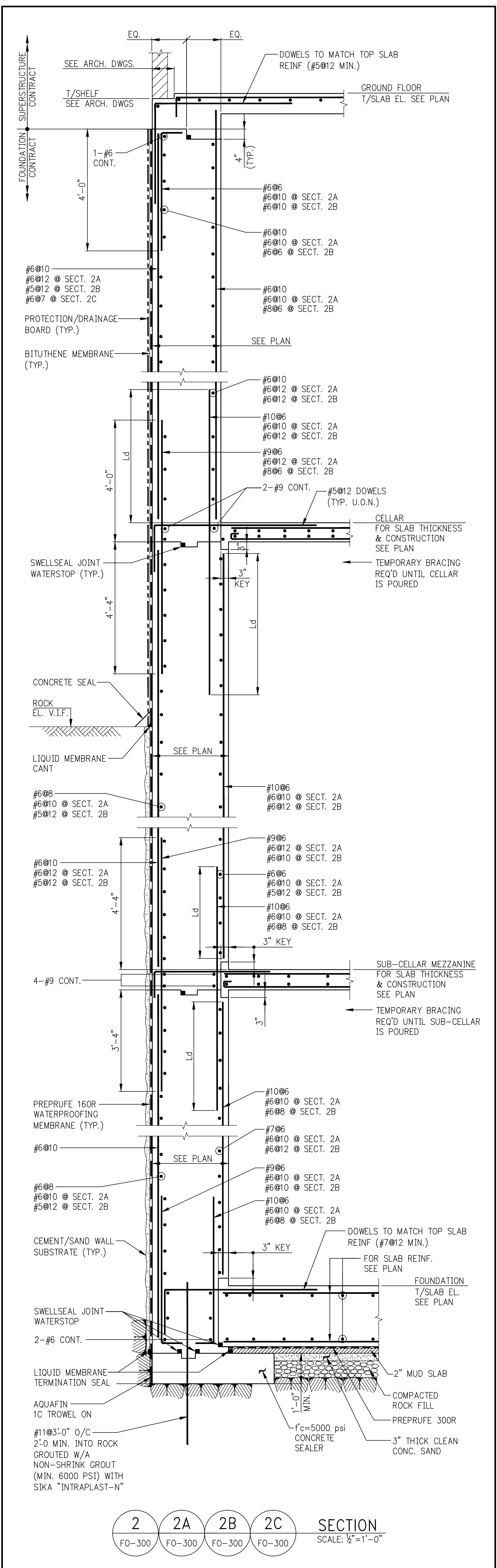
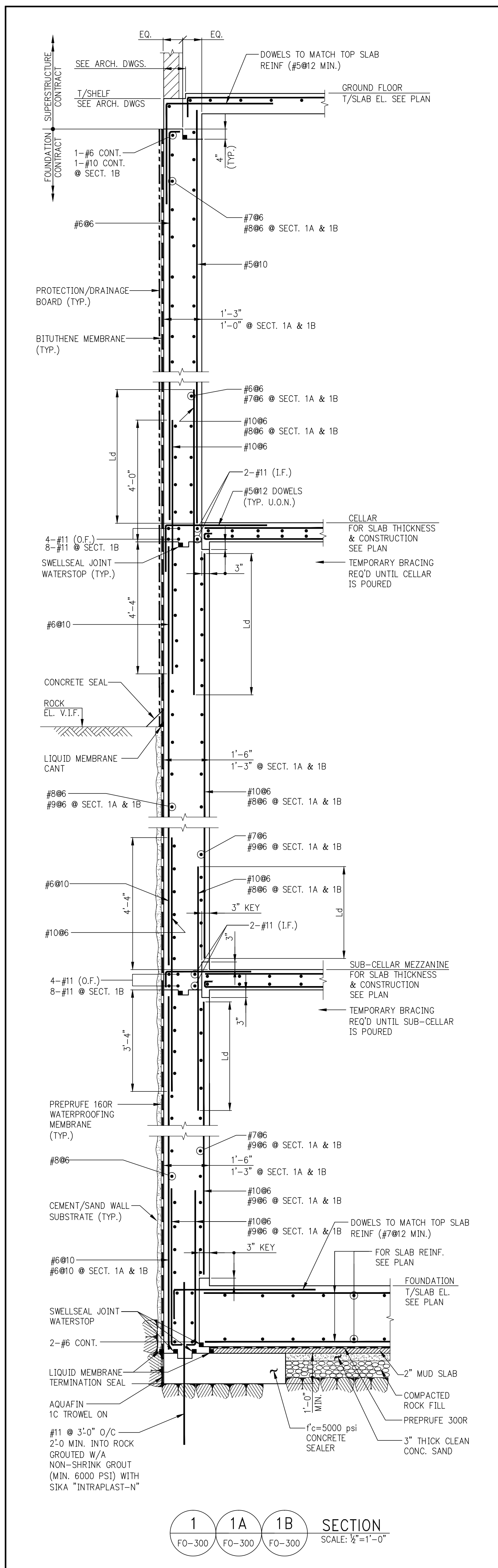
BAR SIZE	GRADE OF REINFORCEMENT (PSI)		
	60 KSI (30 DIA.)	75 KSI (44 DIA.)	80 KSI (48 DIA.)
#3	12	17	18
#4	15	22	24
#5	19	28	30
#6	23	33	36
#7	27	39	42
#8	30	44	48
#9	34	50	54
#10	38	56	61
#11	43	62	68

- LAP SPLICES ARE NOT PERMITTED USE MECHANICAL CONNECTIONS OR WELDED SPLICES FOR #14 AND #18.
- LAP SPLICES OF #14 AND #18 BARS TO #11 AND SMALLER BARS ARE PERMITTED PER ACI 318 (12.16.2).
- FOR BARS OF DIFFERENT SIZE, USE LARGER OF: SPlice LENGTH OR SMALLER BAR (TABLE #4) OR DEVELOPMENT LENGTH OF LARGER BAR (FROM TABLE #5) PER ACI 318 (12.16.2).

NOTE:  
TABLE #4 APPLIES FOR NORMALWEIGHT CONCRETE WITH Fc = 3,000 PSI OR GREATER.

TABLE #5  
DEVELOPMENT LENGTHS FOR BARS IN COMPRESSION (LENGTHS IN INCHES)

BAR SIZE	fy = 60,000 PSI			fy = 75,000 PSI			fy = 80,000 PSI		
	CONC. Fc (IN PSI)			CONC. Fc (IN PSI)			CONC. Fc (IN PSI)		
	3,000	4,000	5,000 OR MORE	3,000	4,000	5,000 OR MORE	3,000	4,000	5,000 OR MORE
#3	12	12	12	12	12	12	12	12	12
#4	12	12	12	14	12	12	12	15	13
#5	14	12	12	17	15	14	18	16	15
#6	17	15	14	21	18	17	22	19	18
#7	19	17	16	24	21	20	26	22	21
#8	22	19	18	28	24	23	29	25	24
#9	25	22	21	31	27	25	33	28	27
#10	28	24	23	34	30	28	36	31	30
#11	31	27	26	38	33	31	40	34	33
#14	37	32	31	45	42	39	51	44	42
#18	50	43	41	62	54	51	65	56	54



**PROJECT:**  
138 EAST 50TH ST.  
NEW YORK, NY

**OWNER/DEVELOPER:**  
CERUZZI PROPERTIES, LLC  
400 PARK AVENUE, 5TH FLOOR  
NEW YORK, NY 10022  
TEL: (212) 300-1700

**ARCHITECT OF RECORD:**  
SLCEArchitects, LLP  
1359 BROADWAY, 14TH FLOOR  
NEW YORK, NY 10018  
TEL: (212) 979-8400  
FAX: (212) 979-8387

**DESIGN ARCHITECT:**  
Pelli Clarke Pelli Architects  
322 EIGHTH AVENUE  
NEW YORK, NY 10001  
TEL: (212) 417-9494  
FAX: (212) 417-9497

**STRUCTURAL ENGINEER:**  
WSP  
228 East 45th St.  
New York, NY 10017  
(212) 687-9888  
www.wspgroup.com/usa

**M.E.P. ENGINEER:**  
MGE  
115 West 32nd Street, 12th Floor, New York, NY 10018  
P: (212) 929-5454 F: (212) 929-5455 www.mgeinc.net

**CIVIL ENGINEER:**  
Philip Habib & Associates  
102 MADISON AVENUE, 11TH FLOOR  
NEW YORK, NEW YORK 10016  
TEL: (212) 929-5454 FAX: (212) 929-5455

**DOB EXPEDITOR:**  
JAM Consultants, Inc.  
104 WEST 29TH STREET, 9TH FLOOR  
NEW YORK, NEW YORK 10001  
TEL: (212) 244-4427 FAX: (212) 244-4497

**VERTICAL TRANSPORTATION CONSULTANT:**  
Jenkins & Huntington, Inc.  
1251 AVENUE OF THE AMERICAS  
NEW YORK, NEW YORK 10020  
TEL: (212) 496-1818 FAX: (212) 696-4528

**ZONING CONSULTANT:**  
Development Consulting Services  
330 WEST 42ND STREET  
NEW YORK, NEW YORK 10036  
TEL: (212) 714-0285 FAX: (212) 714-0283

**EXTERIOR WALL CONSULTANT:**  
Vidar's, Incorporated  
340 PARK AVENUE SOUTH, 15TH FL.  
NEW YORK, NEW YORK 10010  
TEL: (212) 689-3389



NO.	DATE	REVISION
03-18-16	ISSUE TO DOB	
02-10-16	REVISED SUPERSTRUCTURE	
02-09-16	REVISED FOUNDATION FOR CONSTRUCTION	
02-03-16	REVISED SUPERSTRUCTURE	
02-03-16	ISSUE FOUNDATION FOR CONSTRUCTION	
01-17-16	REVISED SUPERSTRUCTURE FOR BID	
09-30-15	ISSUE 1A, 1B	
09-10-15	REVISED FOUNDATION	
09-21-15	ADDENDUM 1 PRICING SET	
08-25-15	ISSUE FOR SUPERSTRUCTURE BID	
06-26-15	ISSUE FOR FOUNDATION BID	

**NB#**

**KEY PLAN:**  
EAST 50TH STREET  
EAST 49TH STREET  
THIRD AVENUE

**PROJECT:**  
138 EAST 50TH STREET  
NEW YORK, N.Y.

**DRAWING TITLE:**  
FOUNDATION SECTIONS 1

**SEAL & SIGNATURE:**  
DATE: 05/14/2015  
PROJECT No.: 1990031  
DRAWN BY: CASO  
CHECKED BY: CS  
DWG. No.: FO-300.00  
SHEET No.: 1 of 0

PROJECT:  
138 EAST 50TH ST.  
NEW YORK, NY

OWNER/DEVELOPER:  
CERUZZI PROPERTIES, LLC  
400 PARK AVENUE, 5th FLOOR  
NEW YORK, NY 10022  
TEL: (212) 300-1700

ARCHITECT OF RECORD:  
SL.CEArchitects, LLP  
1359 BROADWAY, 14th FLOOR  
NEW YORK, NY 10018  
TEL: (212) 979-8400  
FAX: (212) 979-8387

DESIGN ARCHITECT:  
Pelli Clarke Pelli Architects  
322 EIGHTH AVENUE  
NEW YORK, NY 10001  
TEL: (212) 417-9494  
FAX: (212) 417-9497

STRUCTURAL ENGINEER:  
WSP  
228 East 45th St.  
New York, NY 10017  
(212) 687-9888  
www.wspgroup.com/usa

M.E.P. ENGINEER:  
MGE  
MGE Engineering D.P.C. is an engineer success  
115 West 32nd Street, 12th Floor, New York, NY 10001  
P: (212) 633-0555 F: (212) 633-0559 www.mgepc.net

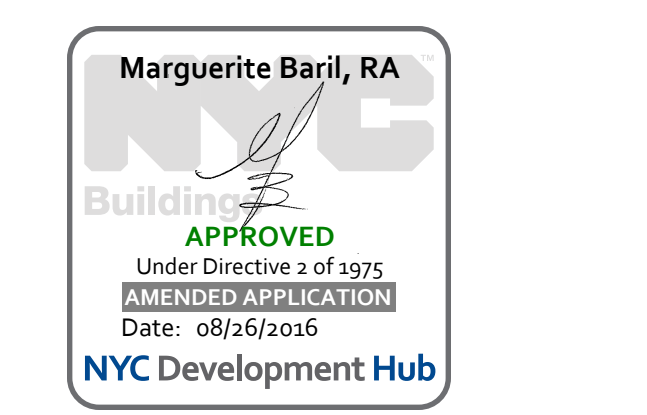
CIVIL ENGINEER:  
Philip Habib & Associates  
102 MADISON AVENUE, 11th FLOOR  
NEW YORK, NEW YORK 10016  
TEL: (212) 929-5656  
FAX: (212) 929-5655

DOB EXPEDITOR:  
JAM Consultants, Inc.  
104 WEST 29th STREET, 9th FLOOR  
NEW YORK, NEW YORK 10001  
TEL: (212) 244-4427  
FAX: (212) 244-4497

VERTICAL TRANSPORTATION CONSULTANT:  
Jenkins & Huntington, Inc.  
1251 AVENUE OF THE AMERICAS  
NEW YORK, NEW YORK 10020  
TEL: (212) 696-1818  
FAX: (212) 696-4528

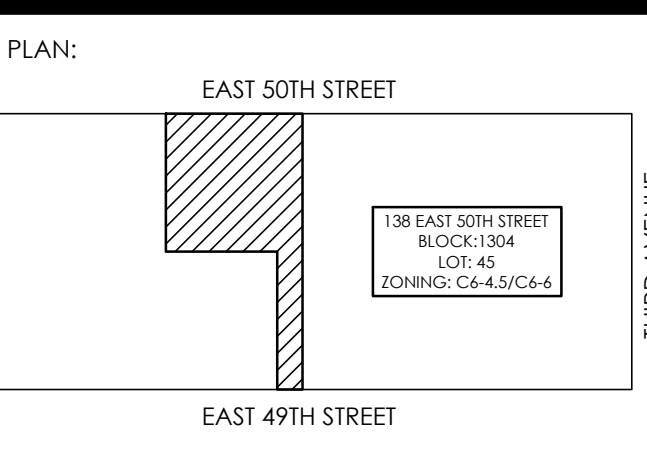
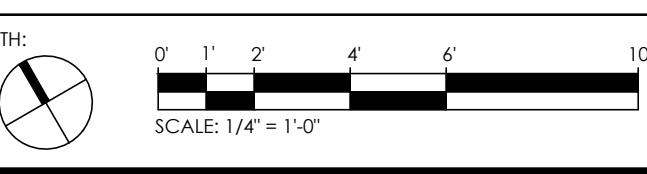
ZONING CONSULTANT:  
Development Consulting Services  
330 WEST 42ND STREET  
NEW YORK, NEW YORK 10036  
TEL: (212) 714-0282  
FAX: (212) 714-0283

INTERIOR WALL CONSULTANT:  
Vidaris, Incorporated  
340 PARK AVENUE SOUTH, 15th FL.  
NEW YORK, NEW YORK 10010  
TEL: (212) 689-3389



03-18-16	ISSUE TO DOB
02-10-16	REVISED SUPERSTRUCTURE
02-09-16	REVISED FOUNDATION FOR CONSTRUCTION
02-03-16	REVISED SUPERSTRUCTURE
02-03-16	ISSUE FOUNDATION FOR CONSTRUCTION
01-17-16	REVISED SUPERSTRUCTURE FOR BID
09-30-15	ISSUE TO IA
09-10-15	REVISED FOUNDATION
09-21-15	ADDENDUM 1 PRECING SET
08-03-15	ISSUE FOR SUPERSTRUCTURE BID
06-26-15	ISSUE FOR FOUNDATION BID
DATE:	REVISION:

DOB NUMBER:  
NB#

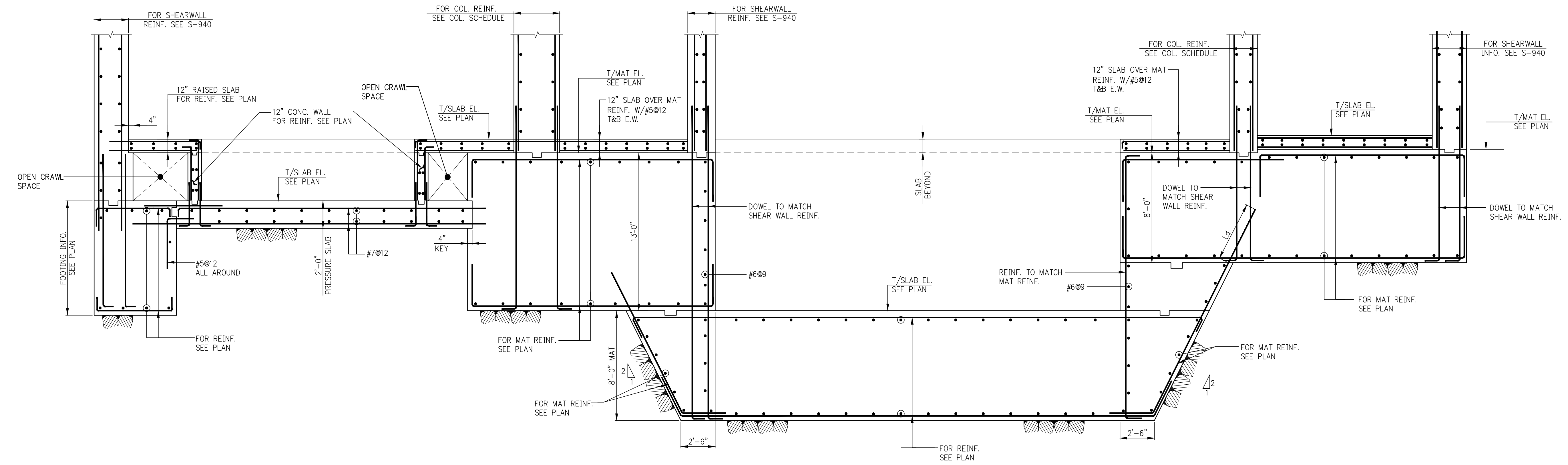


PROJECT:  
138 EAST 50TH STREET  
NEW YORK, N.Y.

DRAWING TITLE:  
FOUNDATION SECTIONS 2

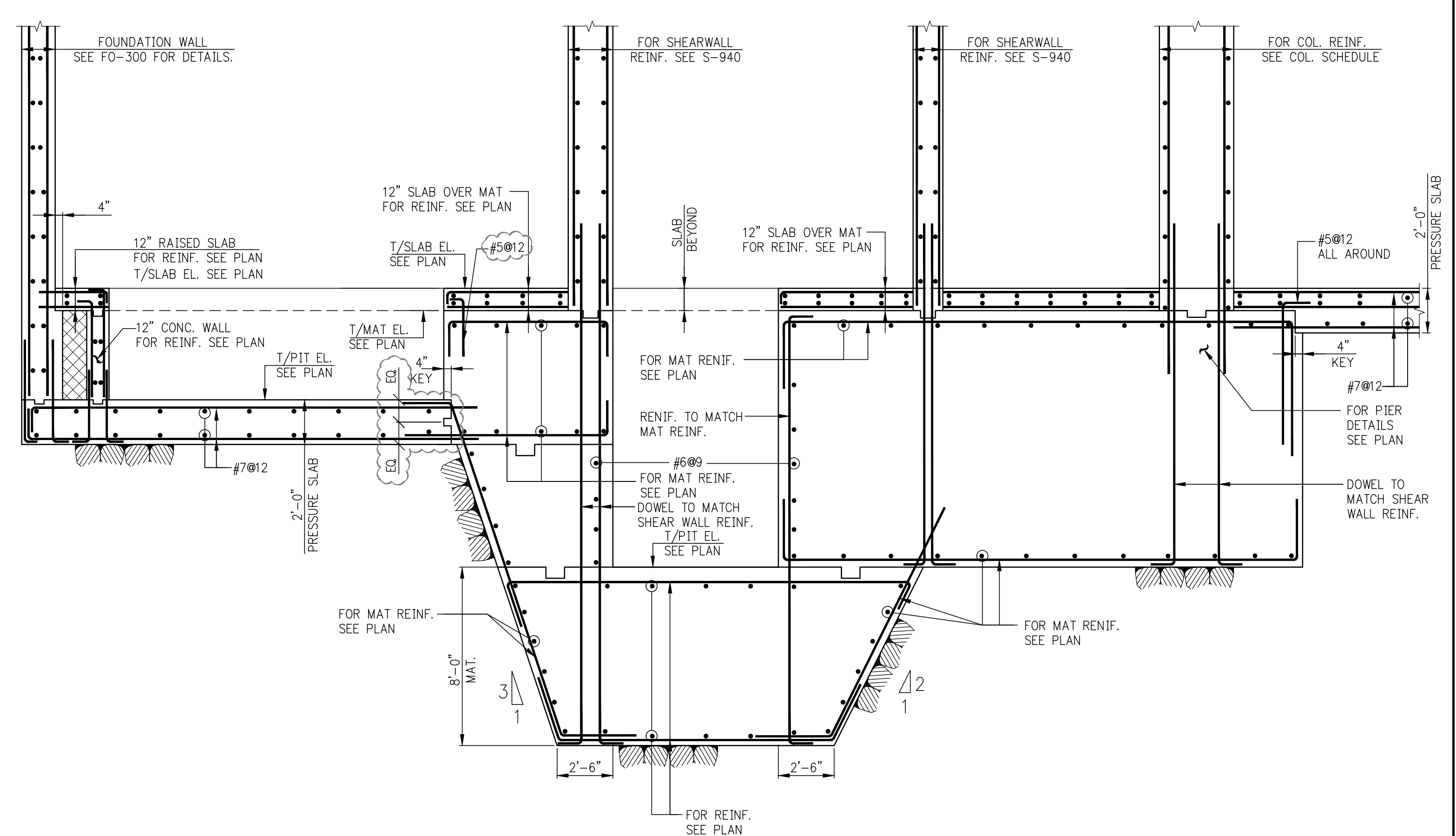
SEAL & SIGNATURE:  
DATE: 05/14/2015  
PROJECT No.: 1990031  
DRAWN BY: CASO  
CHECKED BY: CS  
DWG. No.:  
FO-301.00  
SHEET No.: of 0

FILE No.: 138East50thStreetFoundationSections2.dwg



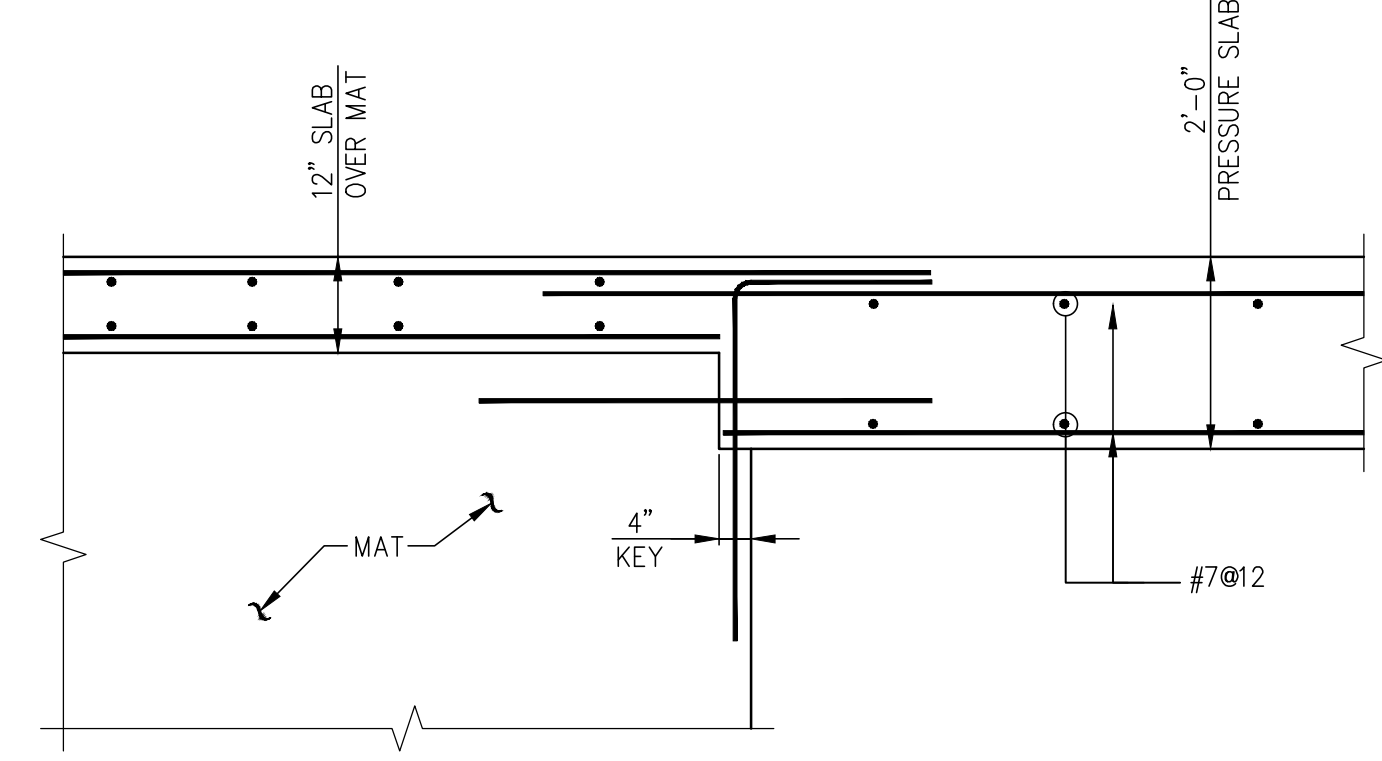
1 SECTION  
FO-301  
SCALE: 1/4"=1'-0"

NOTE:  
1. SOME REIN. NOT SHOWN FOR CLARITY.  
2. FOR BALANCE OF INFO. SEE 1/FO-300.



2 SECTION  
FO-301  
SCALE: 1/4"=1'-0"

NOTE:  
1. FOR BALANCE OF INFO. SEE 1/FO-301.



3 SECTION  
FO-301  
SCALE: 1/4"=1'-0"

NOTE:  
1. FOR BALANCE OF INFO. SEE 1/FO-300.

PROJECT:  
138 EAST 50TH ST.  
NEW YORK, NY

OWNER/DEVELOPER:  
CERUZZI PROPERTIES, LLC  
400 PARK AVENUE, 5th FLOOR  
NEW YORK, NY 10022  
TEL: (212) 300-1700

ARCHITECT OF RECORD:  
SLCEArchitects, LLP  
1359 BROADWAY, 14th FLOOR  
NEW YORK, NY 10018  
TEL: (212) 979-8400  
FAX: (212) 979-8387

DESIGN ARCHITECT:  
Pelli Clarke Pelli Architects  
322 EIGHTH AVENUE  
NEW YORK, NY 10001  
TEL: (212) 417-9494  
FAX: (212) 417-9497

STRUCTURAL ENGINEER:  
WSP  
228 East 45th St.  
New York, NY 10017  
(212) 687-8888  
www.wspgroup.com/usa

M.E.P. ENGINEER:  
MGE  
MGE Engineering D.P.C. we engineer success  
118 West 32nd Street, 12th Floor, New York, NY 10001  
P: (212) 633-1000 F: (212) 633-0500 www.mgepc.net

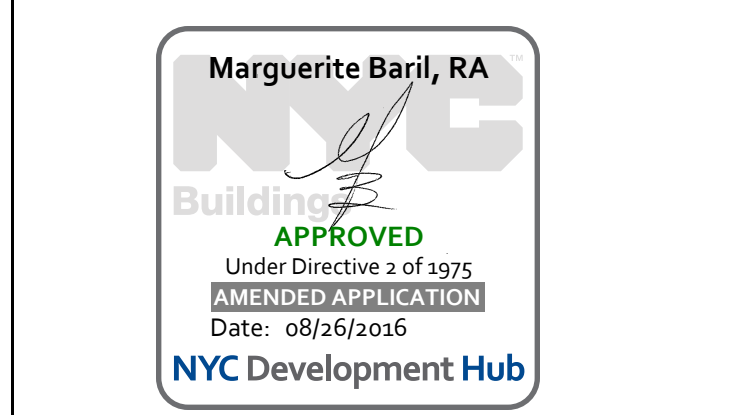
CIVIL ENGINEER:  
Philip Habib & Associates  
102 MADISON AVENUE, 11th FLOOR  
NEW YORK, NEW YORK 10016  
TEL: (212) 929-5656  
FAX: (212) 929-5655

DOB EXPEDITOR:  
JAM Consultants, Inc.  
104 WEST 29th STREET, 9th FLOOR  
NEW YORK, NEW YORK 10001  
TEL: (212) 244-4427  
FAX: (212) 244-4497

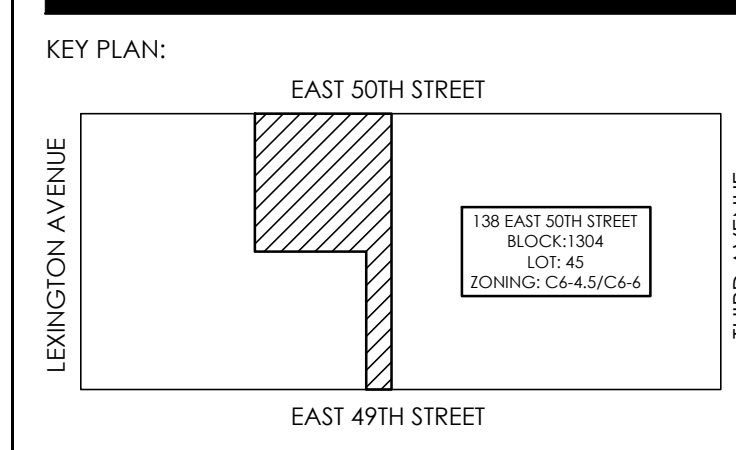
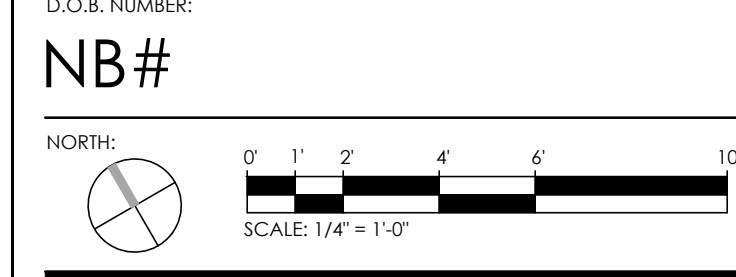
VERTICAL TRANSPORTATION CONSULTANT:  
Jenkins & Huntington, Inc.  
1251 AVENUE OF THE AMERICAS  
NEW YORK, NEW YORK 10020  
TEL: (212) 496-1818  
FAX: (212) 496-4528

ZONING CONSULTANT:  
Development Consulting Services  
330 WEST 42ND STREET  
NEW YORK, NEW YORK 10036  
TEL: (212) 714-0285  
FAX: (212) 714-0283

EXTERIOR WALL CONSULTANT:  
Vidaris, Incorporated  
360 PARK AVENUE SOUTH, 15th FL.  
NEW YORK, NEW YORK 10010  
TEL: (212) 689-3389



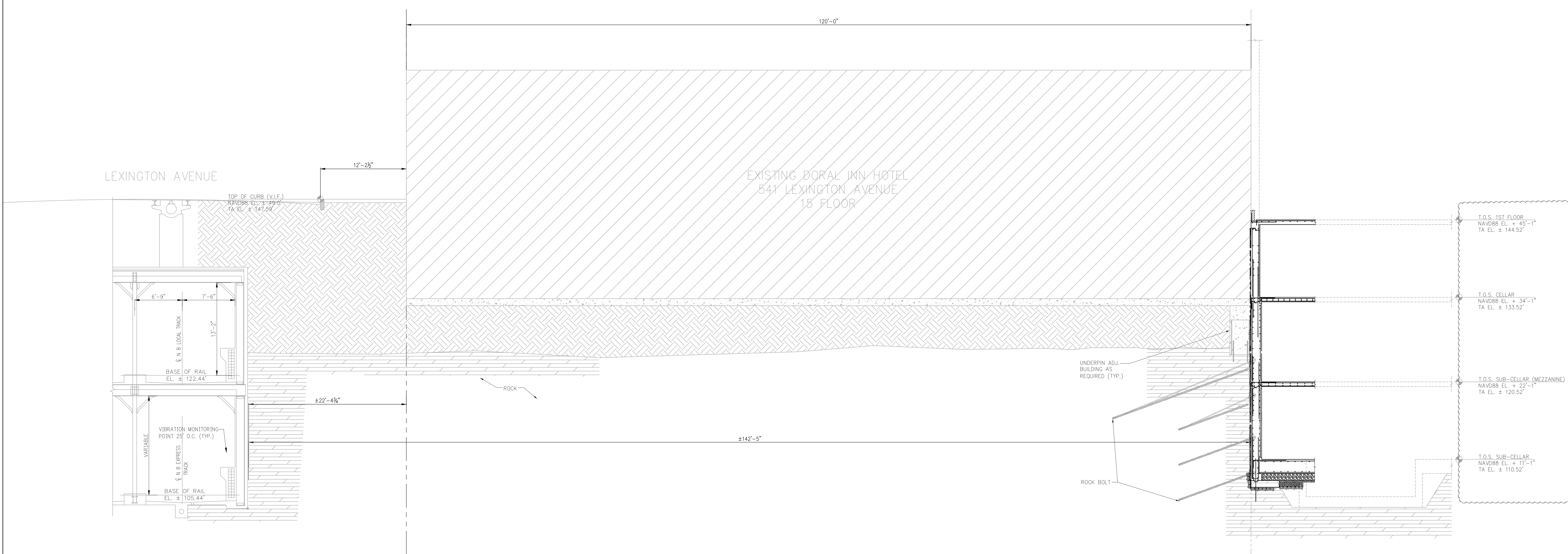
03-18-16	ISSUE TO DOB
02-10-16	REVISED SUPERSTRUCTURE
02-06-16	REVISED FOUNDATION FOR CONSTRUCTION
02-03-16	REVISED SUPERSTRUCTURE
02-03-16	ISSUE FOUNDATION FOR CONSTRUCTION
11-11-15	REVISED SUPERSTRUCTURE FOR BID
09-30-15	ISSUE TO 1A
DATE:	REVISION:



PROJECT:  
138 EAST 50TH STREET  
NEW YORK, N.Y.

DRAWING TITLE:  
FOUNDATION SECTION

SEAL & SIGNATURE: [Signature] DATE: 05/14/2015  
PROJECT No.: 1590031  
DRAWN BY: CASO  
CHECKED BY: CS  
DWG. No.: FO-310.00  
SHEET No.: of 0



1 SECTION  
FO-310 SCALE: 3/8\"/>

PROJECT:  
138 EAST 50TH ST.  
NEW YORK, NY

OWNER/DEVELOPER:  
CERUZZI PROPERTIES, LLC  
400 PARK AVENUE, 5TH FLOOR  
NEW YORK, NY 10022  
TEL: (212) 300-1700

ARCHITECT OF RECORD:  
SLCEArchitects, LLP  
1359 BROADWAY, 14TH FLOOR  
NEW YORK, NY 10018  
TEL: (212) 979-8400  
FAX: (212) 979-8387

DESIGN ARCHITECT:  
Pelli Clarke Pelli Architects  
322 EIGHTH AVENUE  
NEW YORK, NY 10001  
TEL: (212) 417-9494  
FAX: (212) 417-9497

STRUCTURAL ENGINEER:  
WSP  
228 East 45th St.  
New York, NY 10017  
(212) 687-9888  
www.wspgroup.com/usa

M.E.P. ENGINEER:  
MGE  
MGE Engineering D.P.C. (an engineer success  
115 West 32nd Street, 12th Floor, New York, NY, 10001  
P: (212) 633-0555 F: (212) 633-0550 www.mgepc.net

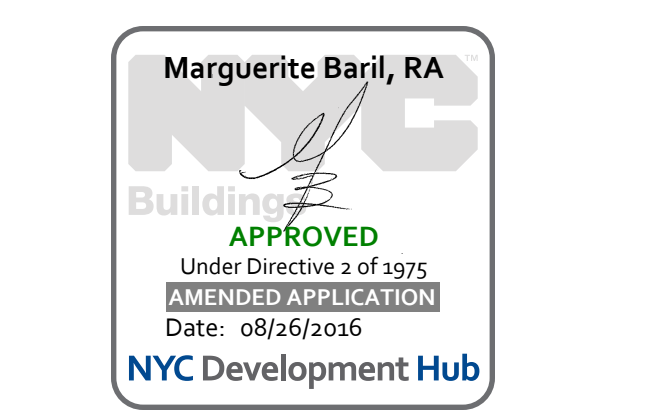
CIVIL ENGINEER:  
Philip Habib & Associates  
102 MADISON AVENUE, 11TH FLOOR  
NEW YORK, NEW YORK 10016  
TEL: (212) 929-5656  
FAX: (212) 929-5655

DOB EXPEDITOR:  
JAM Consultants, Inc.  
104 WEST 29TH STREET, 9TH FLOOR  
NEW YORK, NEW YORK 10001  
TEL: (212) 244-4427  
FAX: (212) 244-4497

VERTICAL TRANSPORTATION CONSULTANT:  
Jenkins & Huntington, Inc.  
1251 AVENUE OF THE AMERICAS  
NEW YORK, NEW YORK 10020  
TEL: (212) 496-1818  
FAX: (212) 696-4528

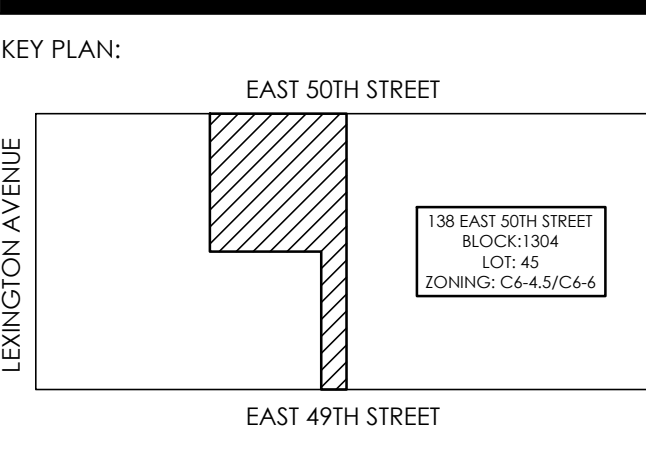
ZONING CONSULTANT:  
Development Consulting Services  
330 WEST 42ND STREET  
NEW YORK, NEW YORK 10036  
TEL: (212) 714-0285  
FAX: (212) 714-0283

EXTERIOR WALL CONSULTANT:  
Vidaris, Incorporated  
340 PARK AVENUE SOUTH, 15TH FL.  
NEW YORK, NEW YORK 10010  
TEL: (212) 689-5389



05-18-16	ISSUE TO DOB
02-10-16	REVISED SUPERSTRUCTURE
02-03-16	REVISED SUPERSTRUCTURE
11-17-15	REVISED SUPERSTRUCTURE FOR BID
09-30-15	ISSUE TO IA
09-10-15	REVISED FOUNDATION
09-10-15	ADDENDUM #1 PRICING SET
08-03-15	ISSUE FOR SUPERSTRUCTURE BID
DATE:	REVISION:

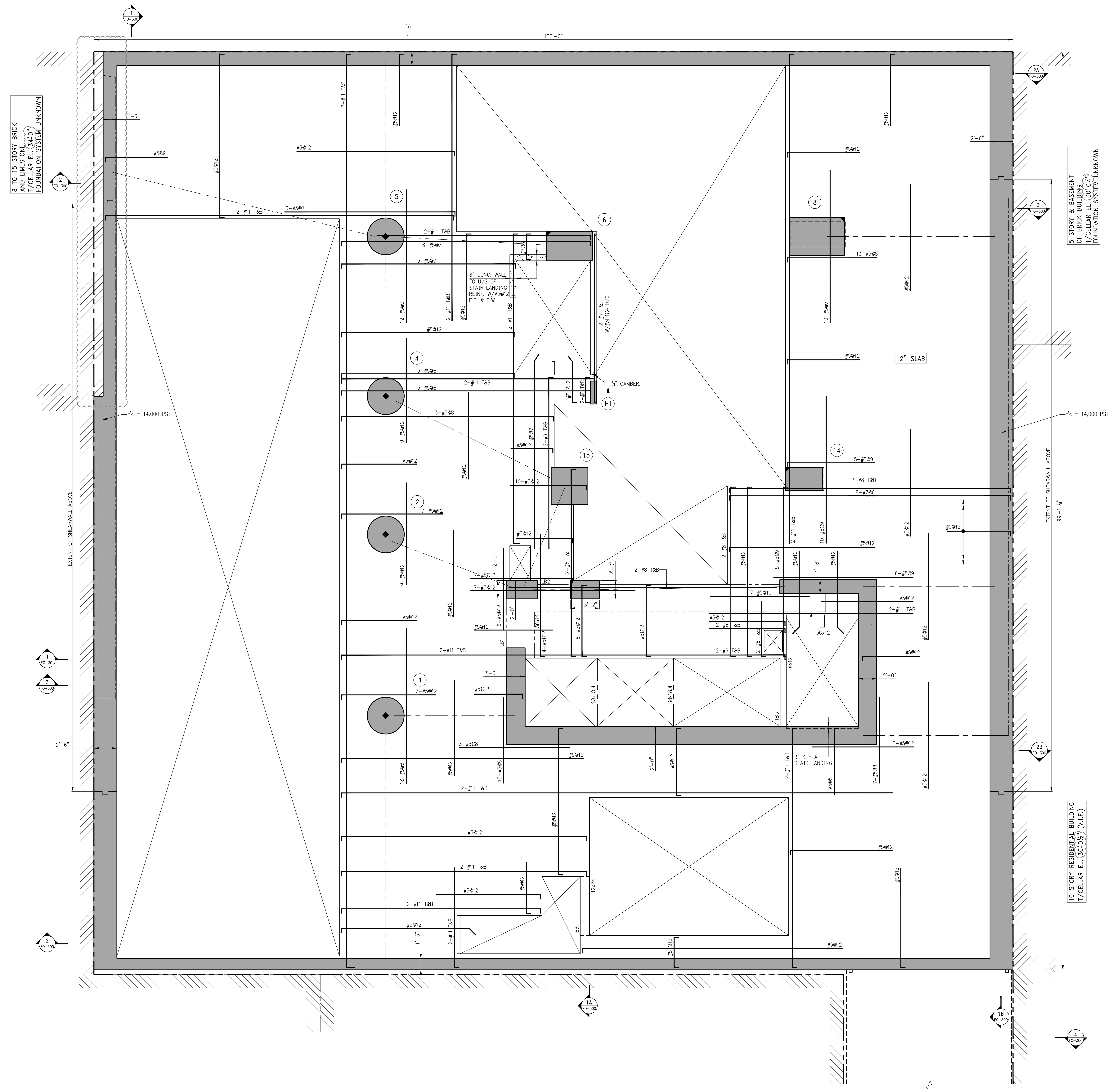
DOB NUMBER:  
NB#  
WORKS:  
SCALE: 1/4" = 1'-0"



PROJECT:  
138 EAST 50TH STREET  
NEW YORK, N.Y.

DRAWING TITLE:  
SUBCELLAR MEZZANINE  
FRAMING PLAN

SEAL & SIGNATURE:  
DATE: 05/14/2015  
PROJECT No.: 1590301  
DRAWN BY: CASO  
CHECKED BY: CS  
DWG. No.:  
S-001.00  
SHEET No.: of 0



1 SUBCELLAR MEZZANINE FRAMING PLAN  
SCALE: 1/4" = 1'-0"  
NOTES:  
1. TOP OF SLAB ELEVATION TO BE (22'-11 1/2") U.O.N. THUS (22'-11 1/2") ON PLAN.  
2. SLAB TO BE 12" THICK U.O.N. THUS (12") ON PLAN.  
3. BOTTOM REINFORCEMENT TO BE #5@2' CONT. E.W. FOR 12" SLAB U.O.N.  
4. FOR BALANCE OF NOTES SEE DRAWING S-010.

PROJECT:  
138 EAST 50TH ST.  
NEW YORK, NY

OWNER/DEVELOPER:  
CERUZZI PROPERTIES, LLC  
400 PARK AVENUE, 5th FLOOR  
NEW YORK, NY 10022  
TEL: (212) 300-1700

ARCHITECT OF RECORD:  
SLCEArchitects, LLP  
1359 BROADWAY, 14th FLOOR  
NEW YORK, NY 10018  
TEL: (212) 979-8400  
FAX: (212) 979-8387

DESIGN ARCHITECT:  
Pelli Clarke Pelli Architects  
322 EIGHTH AVENUE  
NEW YORK, NY 10001  
TEL: (212) 417-9494  
FAX: (212) 417-9497

STRUCTURAL ENGINEER:  
WSP  
228 East 45th St.  
New York, NY 10017  
(212) 687-9888  
www.wspgroup.com/usa

M.E.P. ENGINEER:  
MGE  
MGE Engineering D.P.C., Inc. an engineer success  
115 West 32nd Street, 12th Floor, New York, NY 10001  
P: (212) 633-0555 F: (212) 633-0550 www.mgepc.com

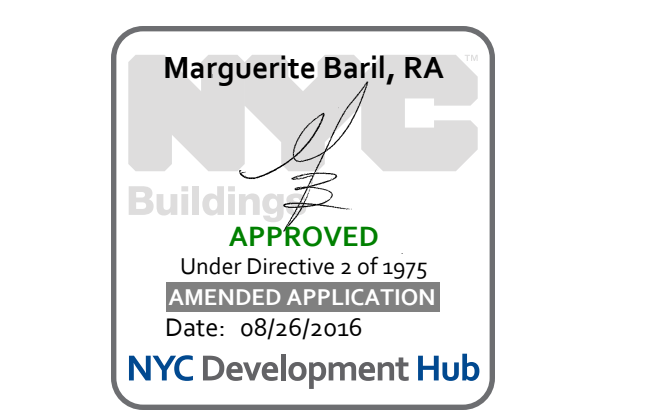
CIVIL ENGINEER:  
Philip Habib & Associates  
102 MADISON AVENUE, 11TH FLOOR  
NEW YORK, NEW YORK 10016  
TEL: (212) 929-5656  
FAX: (212) 929-5655

DOB EXPEDITOR:  
JAM Consultants, Inc.  
104 WEST 29th STREET, 9th FLOOR  
NEW YORK, NEW YORK 10001  
TEL: (212) 244-4427  
FAX: (212) 244-4497

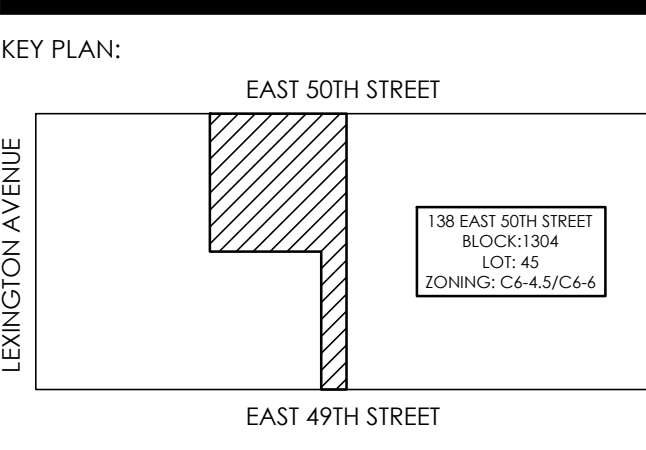
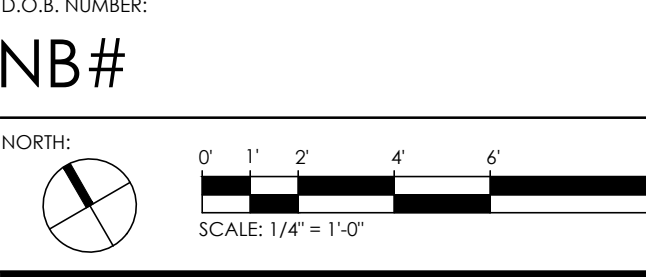
VERTICAL TRANSPORTATION CONSULTANT:  
Jenkins & Huntington, Inc.  
1251 AVENUE OF THE AMERICAS  
NEW YORK, NEW YORK 10020  
TEL: (212) 696-1818  
FAX: (212) 696-4528

ZONING CONSULTANT:  
Development Consulting Services  
330 WEST 42ND STREET  
NEW YORK, NEW YORK 10036  
TEL: (212) 714-0285  
FAX: (212) 714-0283

INTERIOR WALL CONSULTANT:  
Vidar's, Incorporated  
340 PARK AVENUE SOUTH, 15TH FL.  
NEW YORK, NEW YORK 10010  
TEL: (212) 689-3389



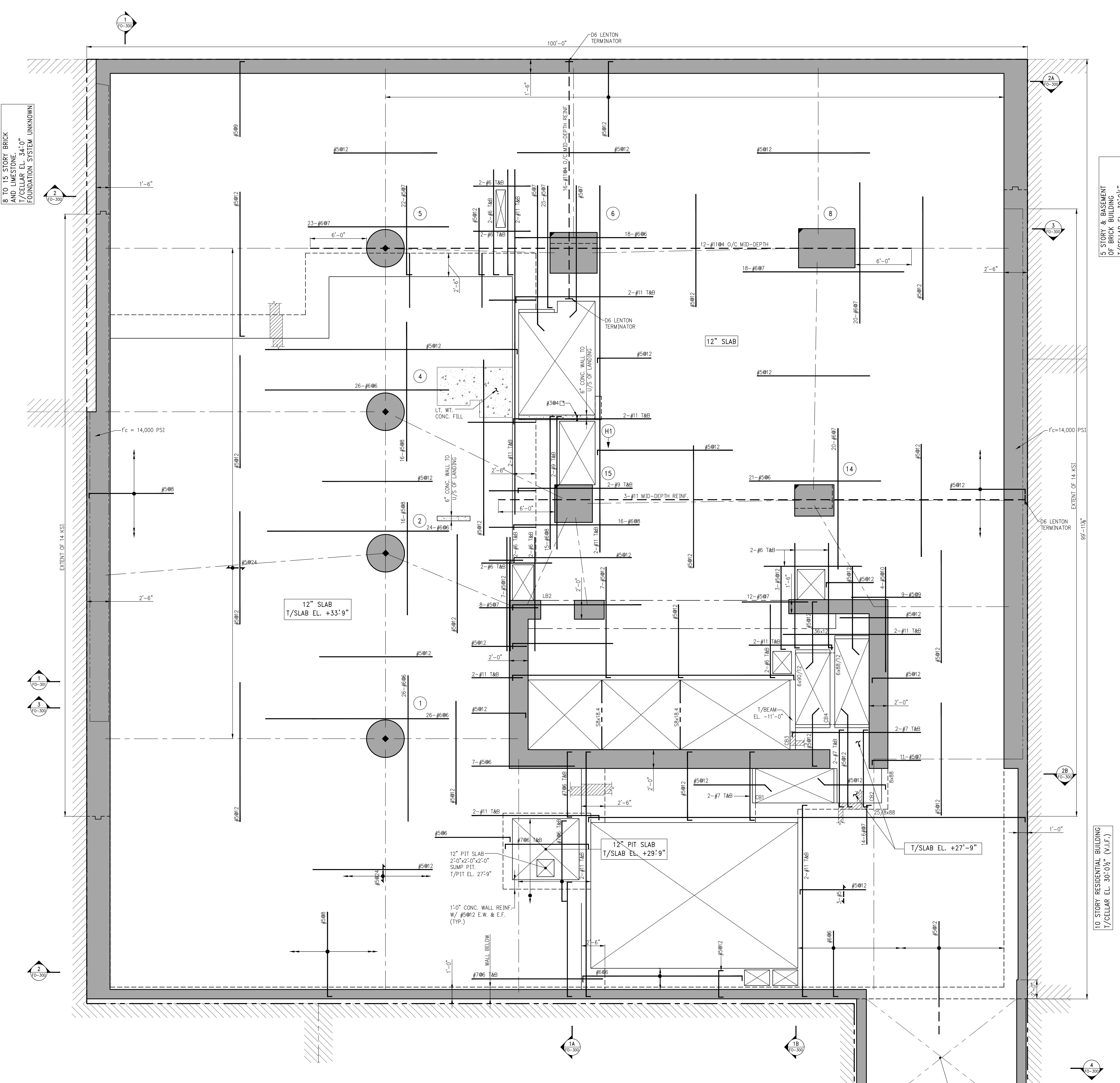
05-18-16	ISSUE TO DOB
02-10-16	REVISED SUPERSTRUCTURE
02-03-16	REVISED SUPERSTRUCTURE
12-17-15	REVISED SUPERSTRUCTURE
11-17-15	REVISED SUPERSTRUCTURE FOR BID
09-30-15	ISSUE TO IA
09-10-15	REVISED FOUNDATION
09-10-15	ADDENDUM #1 PRICING SET
08-03-15	ISSUE FOR SUPERSTRUCTURE BID
DATE:	REVISION:



PROJECT:  
138 EAST 50TH STREET  
NEW YORK, N.Y.

DRAWING TITLE:  
CELLAR FRAMING PLAN

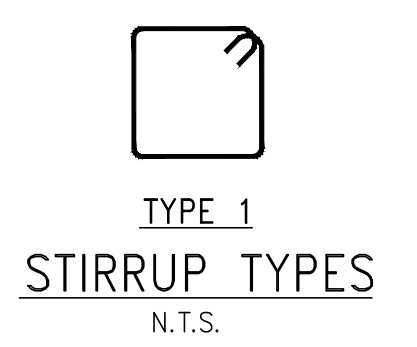
SEAL & SIGNATURE: [Signature] DATE: 05/14/2015  
PROJECT No: 1590031  
DRAWN BY: CASO  
CHECKED BY: CS  
DWG. No.: S-005.00  
SHEET No.: of 0



BEAM MARK	SIZE (WxD)	REINFORCEMENT			STIRRUPS		REMARKS
		BOTTOM CONTINUOUS	TOP CONTINUOUS	TOP ADD'L BARS AT SUPPORT	TYPE	SPACING	
CB1	25/8x88	4-#8	4-#8		1 #4	04	(2 LAYERS) W/#866 LONG E. HORIZ.
CB2	8x88	4-#8	4-#8		1 #4	012	(2 LAYERS) W/#866 LONG E. HORIZ.
CB3	6x88/12	4-#8	4-#8		1 #4	06	(2 LAYERS) W/#866 LONG E. HORIZ.
CB4	6x88/12	1-#9	1-#9		1 #4	04	(2 LAYERS) W/#866 LONG E. HORIZ.

1 CELLAR FRAMING PLAN  
SCALE: 1/4" = 1'-0"

NOTES:  
1. TOP OF SLAB ELEVATION TO BE 34'-1" U.O.N. THUS [ ] ON PLAN.  
2. SLAB TO BE 12" THICK U.O.N. THUS [ ] ON PLAN.  
3. BOTTOM REINFORCEMENT TO BE #8@12 CONT. E.W. FOR 12" SLAB U.O.N.  
4. FOR BALANCE OF NOTES SEE DRAWING S-010.



8 TO 15 STORY BRICK AND CONCRETE FOUNDATION SYSTEM UNKNOWN

5 STORY & BASEMENT OF BRICK BUILDING 1/CELLAR EL. 30'-0 1/2" FOUNDATION SYSTEM UNKNOWN

10 STORY RESIDENTIAL BUILDING 1/CELLAR EL. 30'-0 1/2" (V.I.F.)

FOUNDATION CONTRACT SEE F0-100

138 EAST 50TH ST.  
NEW YORK, NY

OWNER/DEVELOPER:  
**CERUZZI PROPERTIES, LLC**  
400 PARK AVENUE, 5th FLOOR  
NEW YORK, NY 10022  
TEL: (212) 300-1700

ARCHITECT OF RECORD:  
**SLCEArchitects, LLP**  
1359 BROADWAY, 14th FLOOR  
NEW YORK, NY 10018  
TEL: (212) 979-8400  
FAX: (212) 979-8387

DESIGN ARCHITECT:  
**Pelli Clarke Pelli Architects**  
322 EIGHTH AVENUE  
NEW YORK, NY 10001  
TEL: (212) 417-9494  
FAX: (212) 417-9497

STRUCTURAL ENGINEER:  
**WSP**  
228 East 45th St.  
New York, NY 10017  
(212) 687-9888  
www.wspgroup.com/usa

M.E.P. ENGINEER:  
**MGE**  
MGE Engineering D.P.C. is an engineer success  
118 West 32nd Street, 12th Floor, New York, NY 10011  
P: (212) 633-8000 F: (212) 633-0500 www.mgepc.net

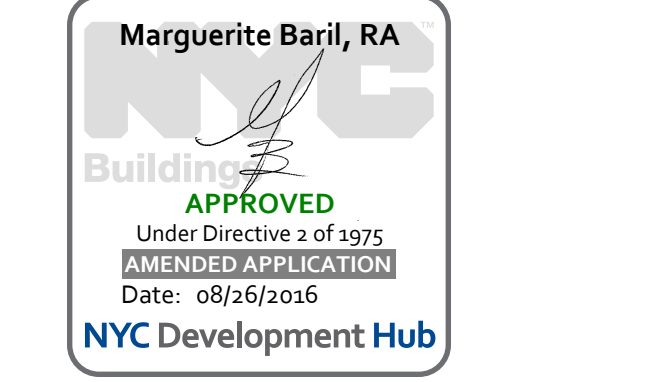
CIVIL ENGINEER:  
**Philip Habib & Associates**  
102 MADISON AVENUE, 11th FLOOR  
NEW YORK, NY 10016  
TEL: (212) 929-5456  
FAX: (212) 929-5455

DOB EXPEDITOR:  
**JAM Consultants, Inc.**  
104 WEST 29th STREET, 9th FLOOR  
NEW YORK, NEW YORK 10001  
TEL: (212) 244-4427  
FAX: (212) 244-4497

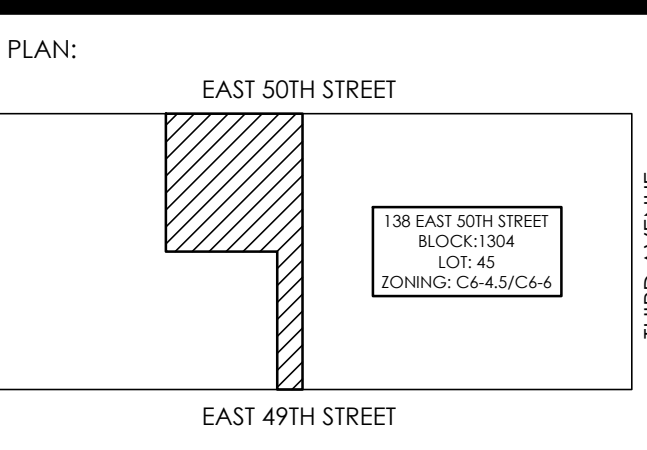
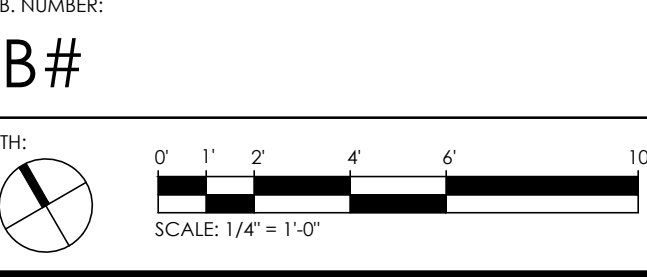
VERTICAL TRANSPORTATION CONSULTANT:  
**Jenkins & Huntington, Inc.**  
1251 AVENUE OF THE AMERICAS  
NEW YORK, NEW YORK 10020  
TEL: (212) 696-1818  
FAX: (212) 696-4528

ZONING CONSULTANT:  
**Development Consulting Services**  
330 WEST 42ND STREET  
NEW YORK, NEW YORK 10036  
TEL: (212) 714-0285  
FAX: (212) 714-0283

EXTERIOR WALL CONSULTANT:  
**Vidaris, Incorporated**  
340 PARK AVENUE SOUTH, 15th FL.  
NEW YORK, NEW YORK 10010  
TEL: (212) 689-5389



DATE	REVISION
03-18-16	ISSUE TO DOB
02-10-16	REVISED SUPERSTRUCTURE
02-09-16	REVISED FOUNDATION FOR CONSTRUCTION
02-03-16	REVISED SUPERSTRUCTURE
02-03-16	REVISED FOUNDATION FOR CONSTRUCTION
12-17-15	REVISED SUPERSTRUCTURE
11-17-15	REVISED SUPERSTRUCTURE FOR BID
09-30-15	ISSUE TO IA
09-10-15	REVISED FOUNDATION
09-10-15	ADDENDUM #1 PRICING SET
08-03-15	ISSUE FOR SUPERSTRUCTURE BID

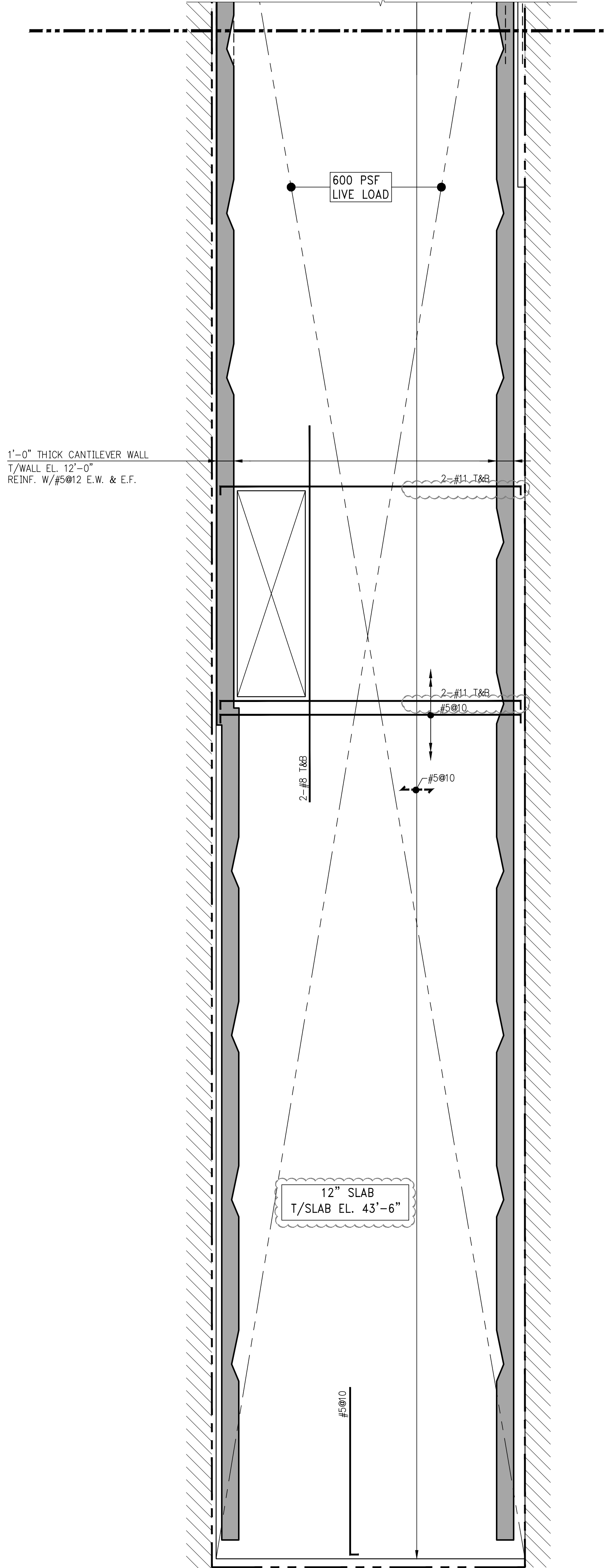
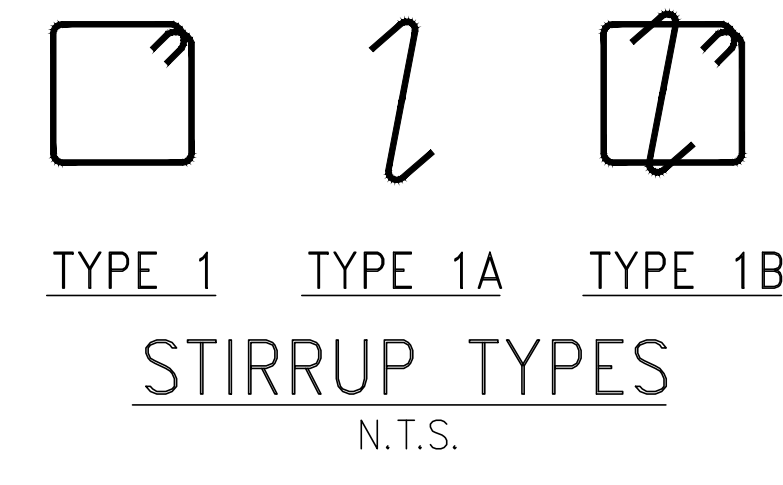


PROJECT:  
138 EAST 50TH STREET  
NEW YORK, N.Y.

DRAWING TITLE:  
1ST FLOOR FRAMING PLAN

SEAL & SIGNATURE: DATE: 05/14/2015  
PROJECT No.: 1590031  
DRAWN BY: CASO  
CHECKED BY: CS  
DWG. No.:  
S-010.00  
SHEET No.: of 0

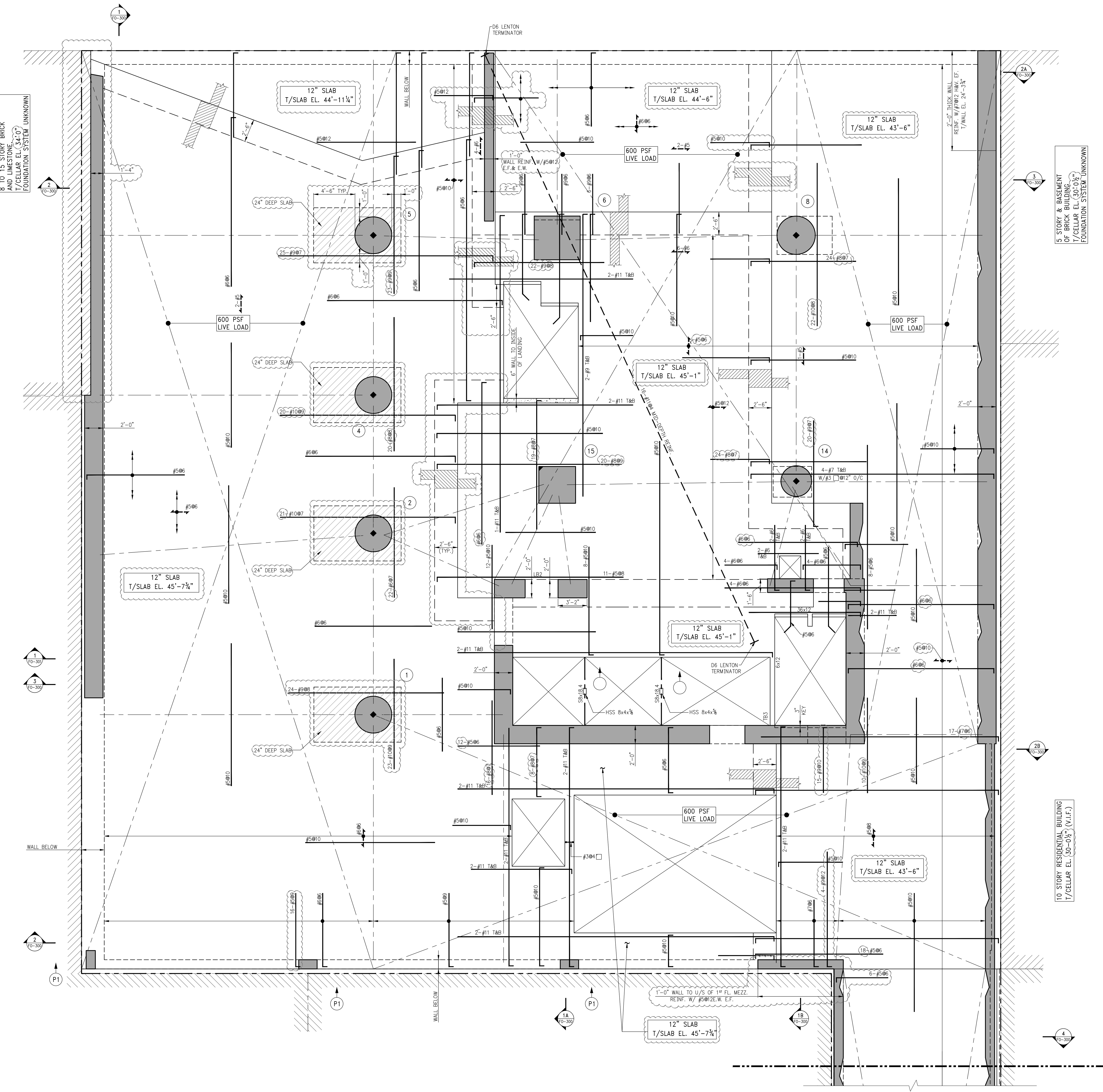
TYPICAL BEAM SCHEDULE								
BEAM MARK	SIZE (WxD)	REINFORCEMENT			STIRRUPS		REMARKS	
		BOTTOM CONTINUOUS	TOP CONTINUOUS	ADD'L BARS AT SUPPORT	TYPE	SIZE		SPACING
TB1	6x11	1-#9	1-#9		1A	4	#4	
TB2	6x10	1-#9	1-#9		1A	4	#4	
TB3	6x12	1-#9	1-#9		1A	4	#4	
TB4	6x16	1-#9	1-#9		1A	4	#7	
TB6	12x24	2-#11	2-#11		1	4	#10	



1'-0" THICK CANTILEVER WALL  
T/WALL EL. 12'-0"  
REIN. W/#5@12 E.W. & E.F.

5 STORY & BASEMENT  
OF BRICK BUILDING  
T/CELLAR EL. 30'-0 1/2"  
FOUNDATION SYSTEM UNKNOWN

10 STORY RESIDENTIAL BUILDING  
T/CELLAR EL. 30'-0 1/2" (V.I.F.)



1 1ST FLOOR FRAMING PLAN  
S-010  
SCALE: 1/8" = 1'-0"

- NOTES:
- TOP OF SLAB ELEVATION TO BE (45'-1") U.O.N. THIS [ ] ON PLAN.
  - SLAB TO BE (12") THICK U.O.N. THIS [ ] ON PLAN.
  - BOTTOM REINFORCEMENT TO BE #5@10 CONT. E.W. FOR 16" SLAB U.O.N. #5@10 CONT. E.W. FOR 12" SLAB U.O.N.
  - f<sub>c</sub> TO BE 10,000 PSI. FOR GROUND FLOOR SLAB.
  - FOR LINK BEAM SCHEDULE AND SHEARWALL DETAILS SEE S-940 SERIES DRAWINGS.
  - FOR COLUMN SIZES, REINFORCEMENT AND DETAILS SEE S-950 SERIES DRAWINGS.
  - FOR TYPICAL SUPERSTRUCTURE DETAILS SEE S-960 SERIES DRAWINGS.
  - FOR SUPERSTRUCTURE SECTIONS SEE S-970 SERIES DRAWINGS.
  - FOR STAIR DETAILS AND SECTIONS SEE S-980 SERIES DRAWINGS.
  - FOR GENERAL NOTES, ABBREVIATIONS AND LEGEND SEE DRAWING FO-001.

PROJECT:  
138 EAST 50TH ST.  
NEW YORK, NY

OWNER/DEVELOPER:  
CERUZZI PROPERTIES, LLC  
400 PARK AVENUE, 5TH FLOOR  
NEW YORK, NY 10022  
TEL: (212) 300-1700

ARCHITECT OF RECORD:  
SLCEArchitects, LLP  
1359 BROADWAY, 14TH FLOOR  
NEW YORK, NY 10018  
TEL: (212) 979-8400  
FAX: (212) 979-8387

DESIGN ARCHITECT:  
Pelli Clarke Pelli Architects  
322 EIGHTH AVENUE  
NEW YORK, NY 10017  
TEL: (212) 417-9494  
FAX: (212) 417-9497

STRUCTURAL ENGINEER:  
WSP  
228 East 45th St.  
New York, NY 10017  
(212) 687-9888  
www.wspgroup.com/usa

M.E.P. ENGINEER:  
MGE  
MGE Engineering D.P.C. is an engineer success  
115 West 32nd Street, 12th Floor, New York, NY 10011  
P: (212) 633-0555 F: (212) 633-0553 www.mgepc.net

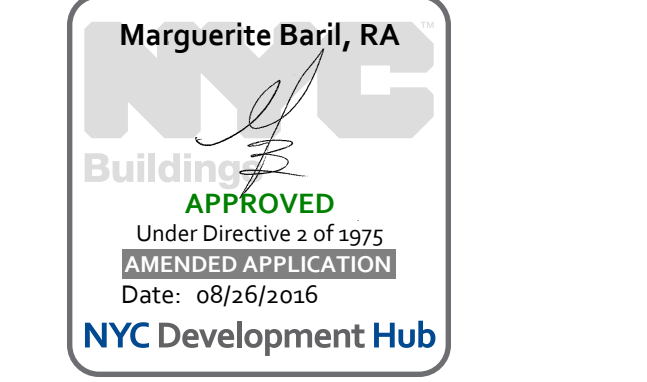
CIVIL ENGINEER:  
Philip Habib & Associates  
102 MADISON AVENUE, 11TH FLOOR  
NEW YORK, NEW YORK 10016  
TEL: (212) 929-5454  
FAX: (212) 929-5455

DOB EXPEDITOR:  
JAM Consultants, Inc.  
104 WEST 29TH STREET, 9TH FLOOR  
NEW YORK, NEW YORK 10001  
TEL: (212) 244-4427  
FAX: (212) 244-4497

VERTICAL TRANSPORTATION CONSULTANT:  
Jenkins & Huntington, Inc.  
1251 AVENUE OF THE AMERICAS  
NEW YORK, NEW YORK 10020  
TEL: (212) 496-1818  
FAX: (212) 496-4526

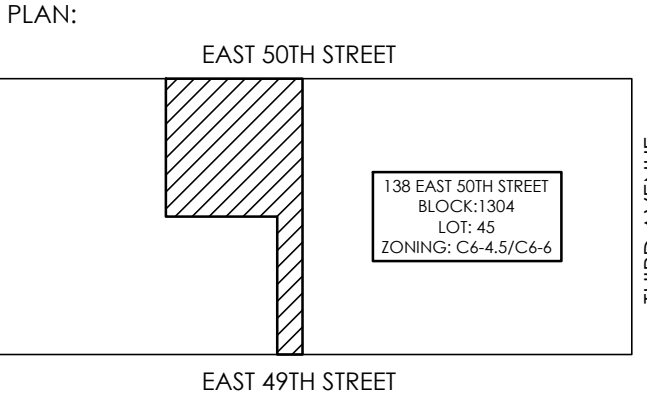
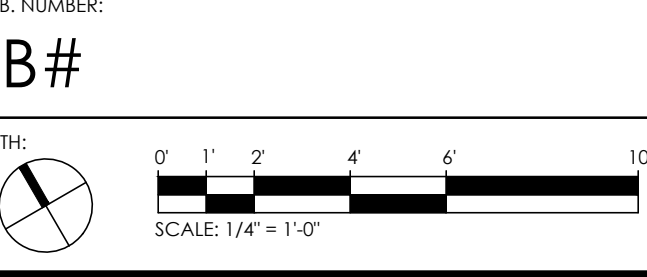
ZONING CONSULTANT:  
Development Consulting Services  
330 WEST 42ND STREET  
NEW YORK, NEW YORK 10036  
TEL: (212) 714-0285  
FAX: (212) 714-0283

EXTERIOR WALL CONSULTANT:  
Vidaris, Incorporated  
340 PARK AVENUE SOUTH, 15TH FL.  
NEW YORK, NEW YORK 10010  
TEL: (212) 689-3389



REVISIONS

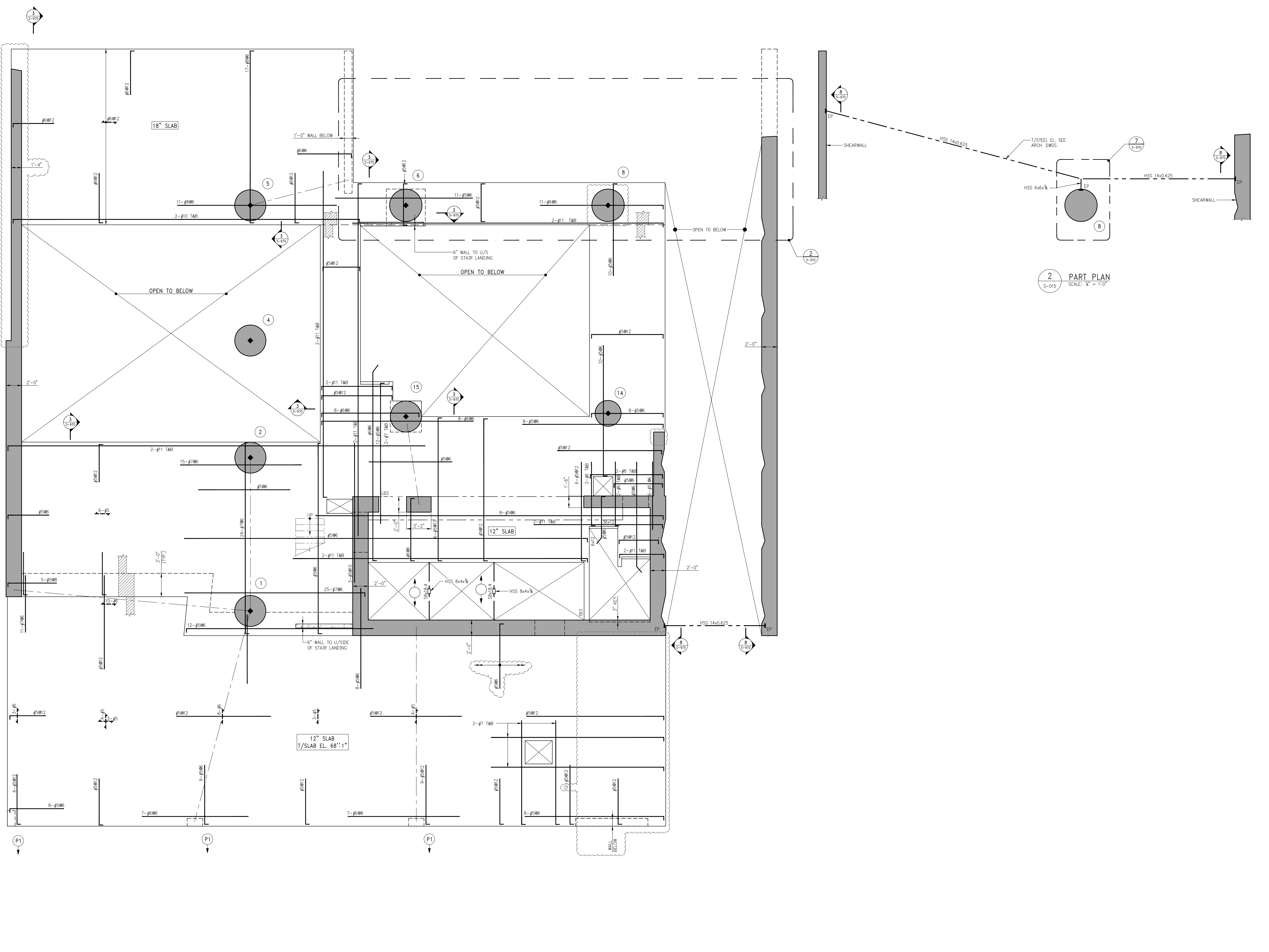
NO.	DATE	DESCRIPTION
03-18-16	ISSUE TO DOB	
02-10-16	REVISED SUPERSTRUCTURE	
02-10-16	REVISED SUPERSTRUCTURE	
11-17-15	REVISED SUPERSTRUCTURE FOR BID	
10-23-15	REVISED PROGRAM LEVELS	
09-15-15	ADDITIONAL PROGRAM SET	
08-03-15	ISSUE FOR SUPERSTRUCTURE BID	



PROJECT:  
138 EAST 50TH STREET  
NEW YORK, N.Y.

DRAWING TITLE:  
1ST FLOOR MEZZANINE  
FRAMING PLAN

SEAL & SIGNATURE:  
DATE: 05/14/2015  
PROJECT No.: 199031  
DRAWN BY: CASD  
CHECKED BY: CS  
DWG. No.:  
S-015.00  
SHEET No.: of 0



1 1ST FLOOR MEZZANINE FRAMING PLAN  
SCALE: 1/4" = 1'-0"

- NOTES:
- TOP OF SLAB ELEVATION TO BE 68'11" U.O.N. THIS [ ] ON PLAN.
  - SLAB TO BE 12" THICK U.O.N. THIS [ ] ON PLAN.
  - F<sub>c</sub>=10,000 psi BOTTOM REINFORCEMENT TO BE #5@12 CONT. E.W. FOR 12" SLAB U.O.N. #5@12 CONT. E.W. FOR 18" SLAB U.O.N.
  - FOR BALANCE OF NOTES SEE DRAWING S-010.



PROJECT:  
138 EAST 50TH ST.  
NEW YORK, NY

OWNER/DEVELOPER:  
CERUZZI PROPERTIES, LLC  
400 PARK AVENUE, 5th FLOOR  
NEW YORK, NY 10022  
TEL: (212) 300-1700

ARCHITECT OF RECORD:  
SLCEArchitects, LLP  
1359 BROADWAY, 14th FLOOR  
NEW YORK, NY 10018  
TEL: (212) 979-8400  
FAX: (212) 979-8387

DESIGN ARCHITECT:  
Pelli Clarke Pelli Architects  
322 EIGHTH AVENUE  
NEW YORK, NY 10001  
TEL: (212) 417-9494  
FAX: (212) 417-9497

STRUCTURAL ENGINEER:  
WSP  
228 East 45th St.  
New York, NY 10017  
(212) 687-9888  
www.wspgroup.com/usa

M.E.P. ENGINEER:  
MGE  
MGE Engineering D.P.C., Inc. an engineer success  
118 West 32nd Street, 12th Floor, New York, NY 10001  
P: (212) 625-1055 F: (212) 625-0550 www.mgepc.net

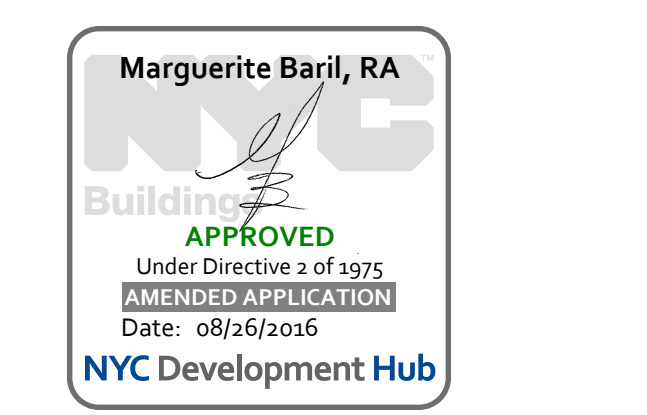
CIVIL ENGINEER:  
Philip Habis & Associates  
102 MADISON AVENUE, 11th FLOOR  
NEW YORK, NEW YORK 10016  
TEL: (212) 929-5656  
FAX: (212) 929-5655

DOB EXPEDITOR:  
JAM Consultants, Inc.  
104 WEST 29th STREET, 9th FLOOR  
NEW YORK, NEW YORK 10001  
TEL: (212) 244-4427  
FAX: (212) 244-4497

VERTICAL TRANSPORTATION CONSULTANT:  
Jenkins & Huntington, Inc.  
1251 AVENUE OF THE AMERICAS  
NEW YORK, NEW YORK 10020  
TEL: (212) 496-1818  
FAX: (212) 696-4528

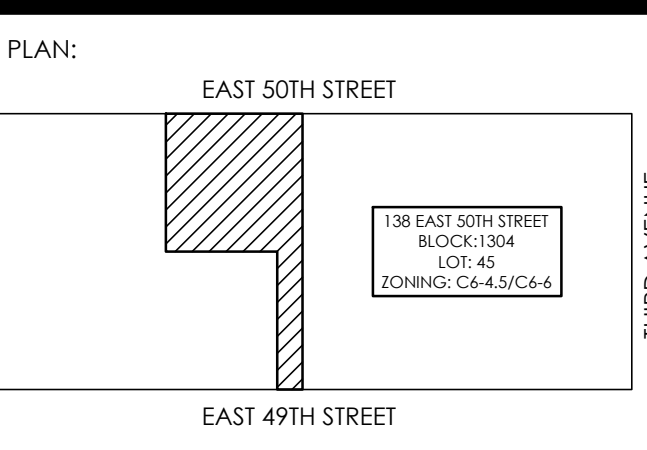
ZONING CONSULTANT:  
Development Consulting Services  
330 WEST 42ND STREET  
NEW YORK, NEW YORK 10036  
TEL: (212) 714-0285  
FAX: (212) 714-0283

EXTERIOR WALL CONSULTANT:  
Vidaris, Incorporated  
340 PARK AVENUE SOUTH, 15th FL.  
NEW YORK, NEW YORK 10010  
TEL: (212) 689-3389



NO.	DATE	REVISION
03-18-16	ISSUE TO DOB	
02-10-16	REVISED SUPERSTRUCTURE	
02-03-16	REVISED SUPERSTRUCTURE	
11-17-15	REVISED SUPERSTRUCTURE FOR BID	
10-23-15	REVISED ROOM LEVELS	
09-21-15	ADDendum 1 PRICING SET	
08-03-15	ISSUE FOR SUPERSTRUCTURE BID	

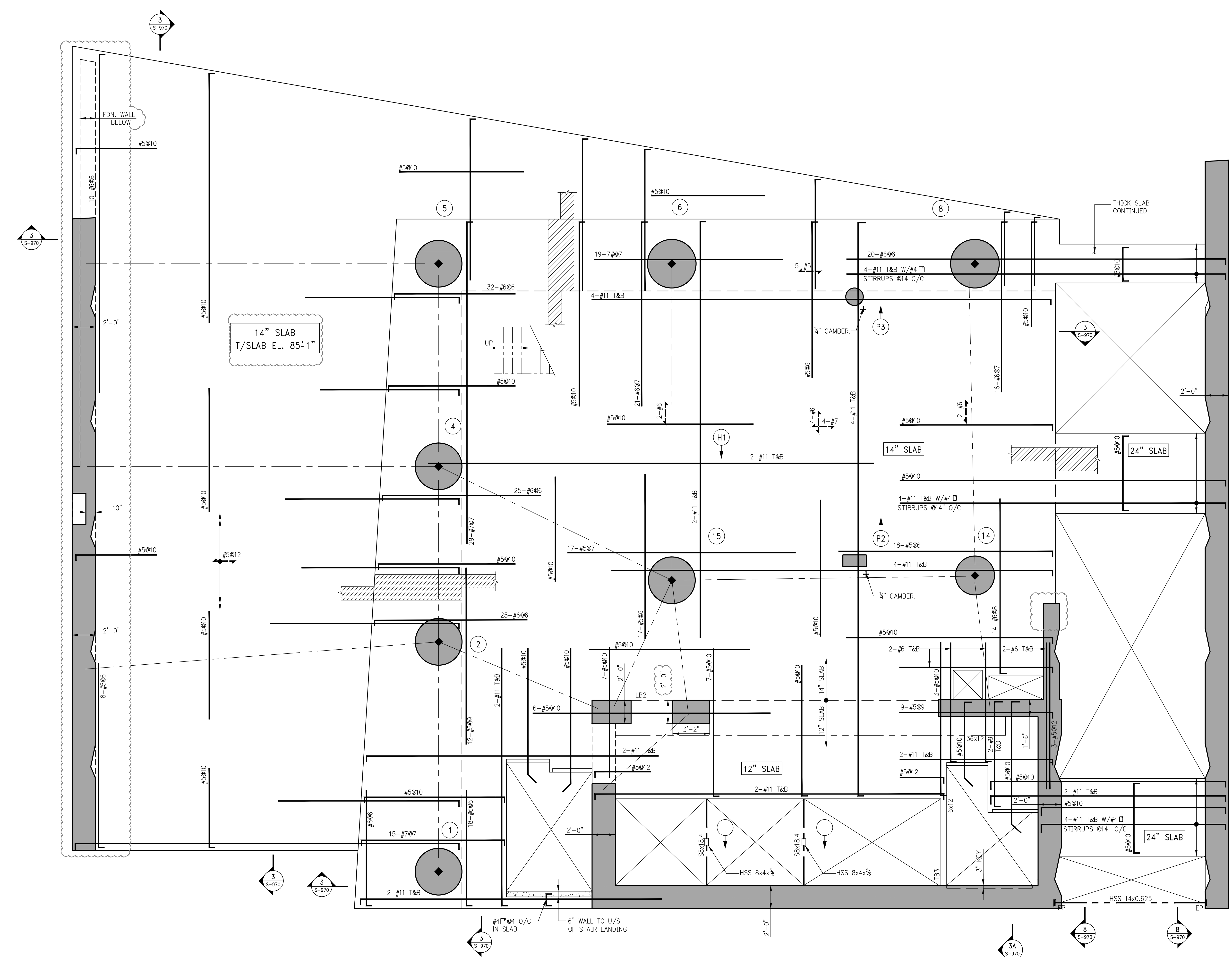
DOB NUMBER:  
NB#  
WORKS:  
SCALE: 1/4" = 1'-0"



PROJECT:  
138 EAST 50TH STREET  
NEW YORK, N.Y.

DRAWING TITLE:  
2ND FLOOR  
FRAMING PLAN

SEAL & SIGNATURE:  
DATE: 05/14/2015  
PROJECT No.: 199031  
DRAWN BY: CASO  
CHECKED BY: CS  
DWG. No.:  
S-020.00  
SHEET No.: of 0



1 2ND FLOOR FRAMING PLAN  
S-020 SCALE: 1/4" = 1'-0"

- NOTES:
- TOP OF SLAB ELEVATION TO BE 85'-1" U.O.N. THUS [Symbol] ON PLAN.
  - SLAB TO BE 14" THICK U.O.N. THUS [Symbol] ON PLAN.
  - BOTTOM REINFORCEMENT TO BE #5@12 CONT. E.W. FOR 12" SLAB U.O.N. #5@10 CONT. E.W. FOR 14" SLAB U.O.N.
  - f<sub>c</sub> (MIN.) = 8000 psi.
  - FOR BALANCE OF NOTES SEE DRAWING S-010.

PROJECT:  
138 EAST 50TH ST.  
NEW YORK, NY

OWNER/DEVELOPER:  
CERUZZI PROPERTIES, LLC  
400 PARK AVENUE, 5th FLOOR  
NEW YORK, NY 10022  
TEL: (212) 300-1700

ARCHITECT OF RECORD:  
SLCEArchitects, LLP  
1359 BROADWAY, 14th FLOOR  
NEW YORK, NY 10018  
TEL: (212) 979-8400  
FAX: (212) 979-8387

DESIGN ARCHITECT:  
Pelli Clarke Pelli Architects  
322 EIGHTH AVENUE  
NEW YORK, NY 10001  
TEL: (212) 417-9494  
FAX: (212) 417-9497

STRUCTURAL ENGINEER:  
WSP  
228 East 45th St.  
New York, NY 10017  
(212) 687-9888  
www.wspgroup.com/usa

M.E.P. ENGINEER:  
MGE  
MGE Engineering D.P.C. is an engineer success  
115 West 32nd Street, 12th Floor, New York, NY 10001  
P: (212) 681-0055 F: (212) 681-0050 www.mgepc.net

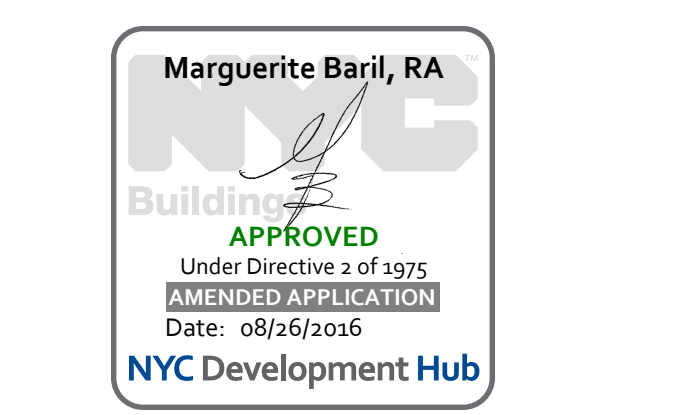
CIVIL ENGINEER:  
Philip Habis & Associates  
102 MADISON AVENUE, 11th FLOOR  
NEW YORK, NEW YORK 10016  
TEL: (212) 929-5656  
FAX: (212) 929-5655

DOB EXPEDITOR:  
JAM Consultants, Inc.  
104 WEST 29th STREET, 9th FLOOR  
NEW YORK, NEW YORK 10001  
TEL: (212) 244-4427  
FAX: (212) 244-4497

VERTICAL TRANSPORTATION CONSULTANT:  
Jenkins & Huntington, Inc.  
1251 AVENUE OF THE AMERICAS  
NEW YORK, NEW YORK 10020  
TEL: (212) 696-1818  
FAX: (212) 696-4528

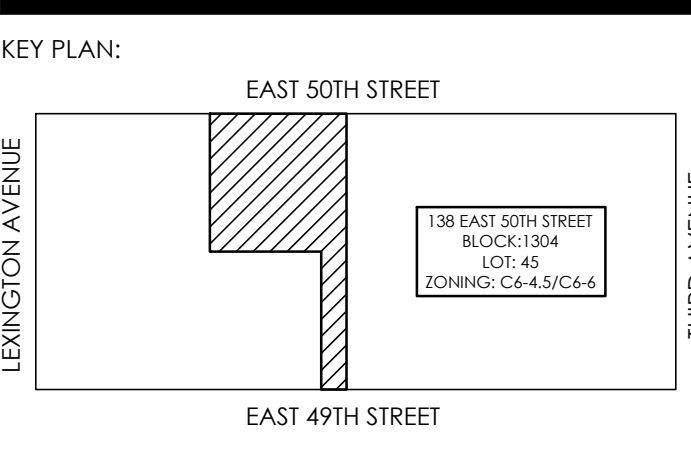
ZONING CONSULTANT:  
Development Consulting Services  
330 WEST 42ND STREET  
NEW YORK, NEW YORK 10036  
TEL: (212) 714-0285  
FAX: (212) 714-0283

EXTERIOR WALL CONSULTANT:  
Vidaris, Incorporated  
340 PARK AVENUE SOUTH, 15th FL.  
NEW YORK, NEW YORK 10010  
TEL: (212) 689-3389



02-10-18	REVISED SUPERSTRUCTURE
02-03-18	REVISED SUPERSTRUCTURE
11-17-15	REVISED SUPERSTRUCTURE FOR BID
10-23-15	REVISED ROOM LEVELS
09-21-15	ADDENDUM #1 PRICING SET
08-03-15	ISSUE FOR SUPERSTRUCTURE BID
DATE:	REVISION:

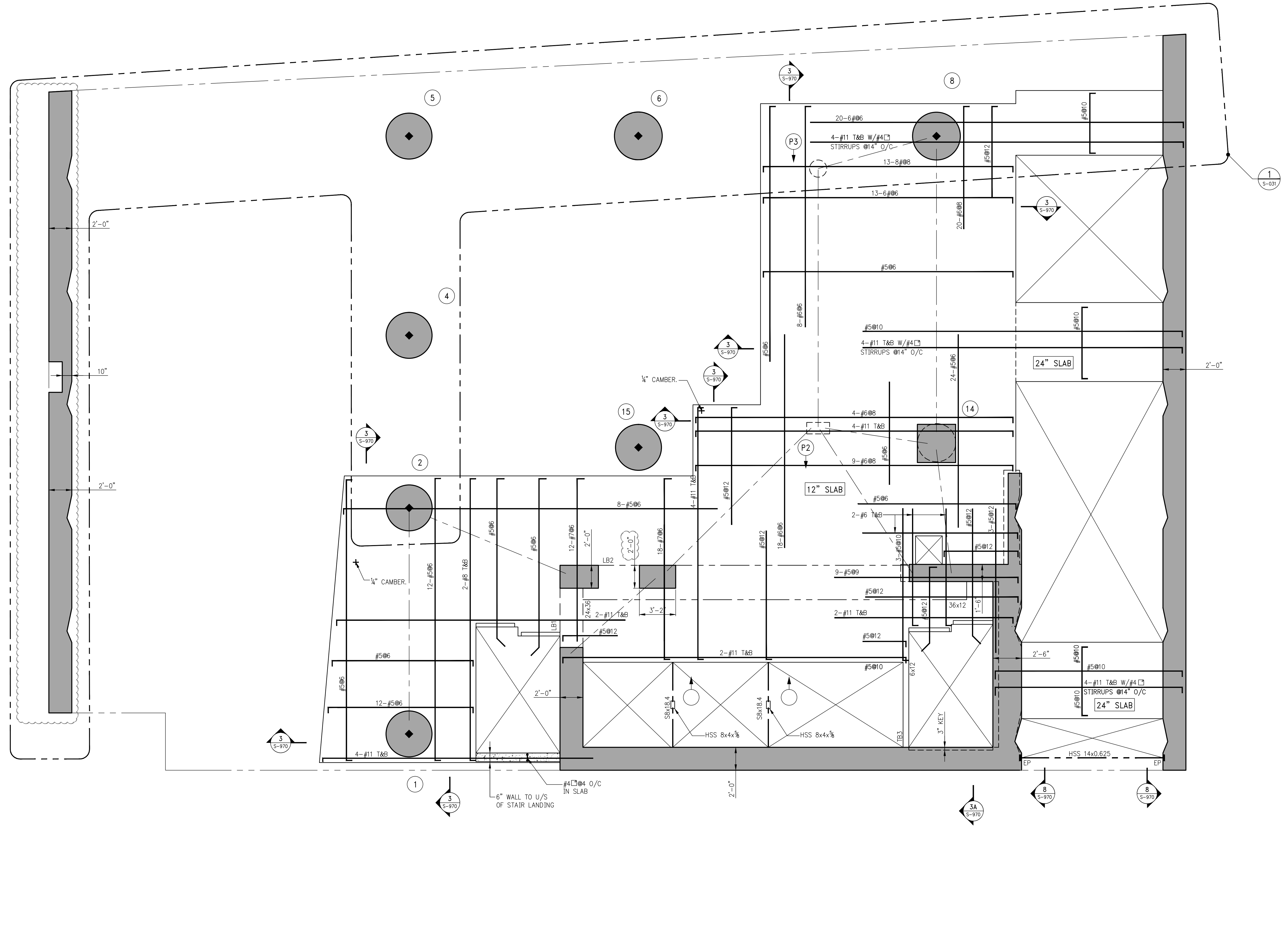
DOB NUMBER:  
**NB#**  
WORKS:  
SCALE: 1/4" = 1'-0"



PROJECT:  
138 EAST 50TH STREET  
NEW YORK, N.Y.

DRAWING TITLE:  
3RD FLOOR  
FRAMING PLAN

SEAL & SIGNATURE:  
DATE: 05/14/2015  
PROJECT No.: 1990031  
DRAWN BY: CASO  
CHECKED BY: CS  
DWG. No.:  
**S-030.00**  
SHEET No.: of 0



**1** 3<sup>RD</sup> FLOOR FRAMING PLAN  
SCALE: 1/4" = 1'-0"

- NOTES:
1. TOP OF SLAB ELEVATION TO BE 98'-1" U.O.N. THIS ON PLAN.
  2. SLAB TO BE 12" THICK U.O.N. THIS ON PLAN.
  3. BOTTOM REINFORCEMENT TO BE #5@12 CONT. E.W. FOR 12" SLAB U.O.N.
  4. FOR BALANCE OF NOTES SEE DRAWING S-010.

PROJECT:  
138 EAST 50TH ST.  
NEW YORK, NY

OWNER/DEVELOPER:  
CERUZZI PROPERTIES, LLC  
400 PARK AVENUE, 5th FLOOR  
NEW YORK, NY 10022  
TEL: (212) 900-1700

ARCHITECT OF RECORD:  
SLCEArchitects, LLP  
1359 BROADWAY, 14th FLOOR  
NEW YORK, NY 10018  
TEL: (212) 979-8400  
FAX: (212) 979-8387

DESIGN ARCHITECT:  
Pelli Clarke Pelli Architects  
322 EIGHTH AVENUE  
NEW YORK, NY 10001  
TEL: (212) 417-9494  
FAX: (212) 417-9497

STRUCTURAL ENGINEER:  
WSP  
228 East 45th St.  
New York, NY 10017  
(212) 687-9888  
www.wspgroup.com/usa

M.E.P. ENGINEER:  
MGE  
MGE Engineering D.P.C. / we engineer success  
115 West 32nd Street, 12th Floor, New York, NY 10001  
P: (212) 693-1000 F: (212) 693-0500 www.mgepc.com

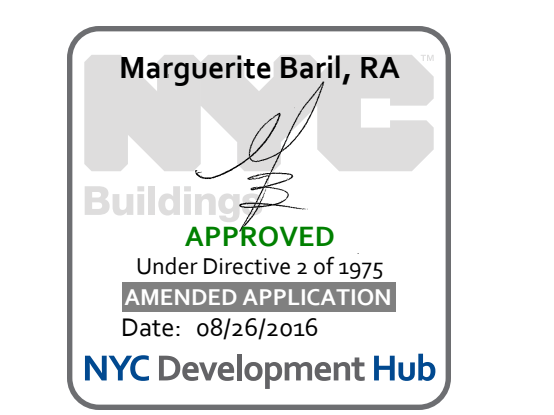
CIVIL ENGINEER:  
Philip Habib & Associates  
102 MADISON AVENUE, 11th FLOOR  
NEW YORK, NEW YORK 10016  
TEL: (212) 929-5656  
FAX: (212) 929-5655

DOB EXPEDITOR:  
JAM Consultants, Inc.  
104 WEST 29th STREET, 9th FLOOR  
NEW YORK, NEW YORK 10001  
TEL: (212) 244-4427  
FAX: (212) 244-4497

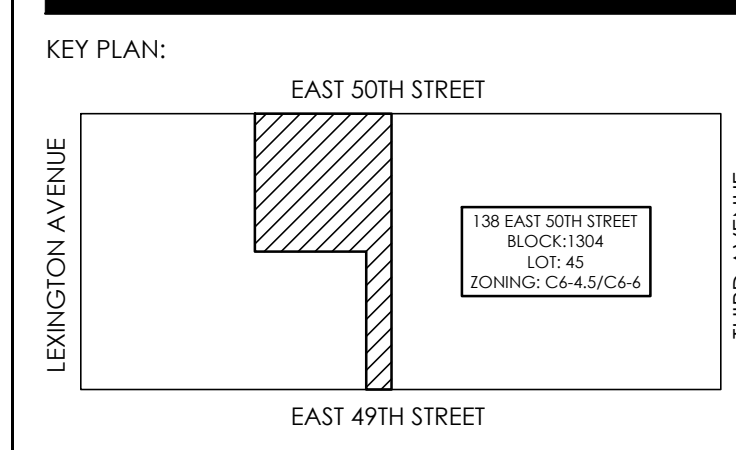
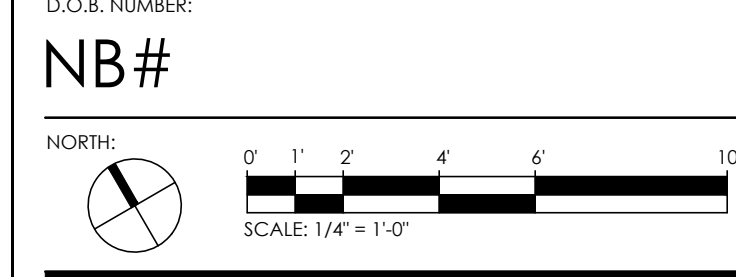
VERTICAL TRANSPORTATION CONSULTANT:  
Jenkins & Huntington, Inc.  
1251 AVENUE OF THE AMERICAS  
NEW YORK, NEW YORK 10020  
TEL: (212) 696-1818  
FAX: (212) 696-4526

ZONING CONSULTANT:  
Development Consulting Services  
330 WEST 42ND STREET  
NEW YORK, NEW YORK 10036  
TEL: (212) 714-0282  
FAX: (212) 714-0283

EXTERIOR WALL CONSULTANT:  
Vidaris, Incorporated  
340 PARK AVENUE SOUTH, 15th FL.  
NEW YORK, NEW YORK 10010  
TEL: (212) 689-5389



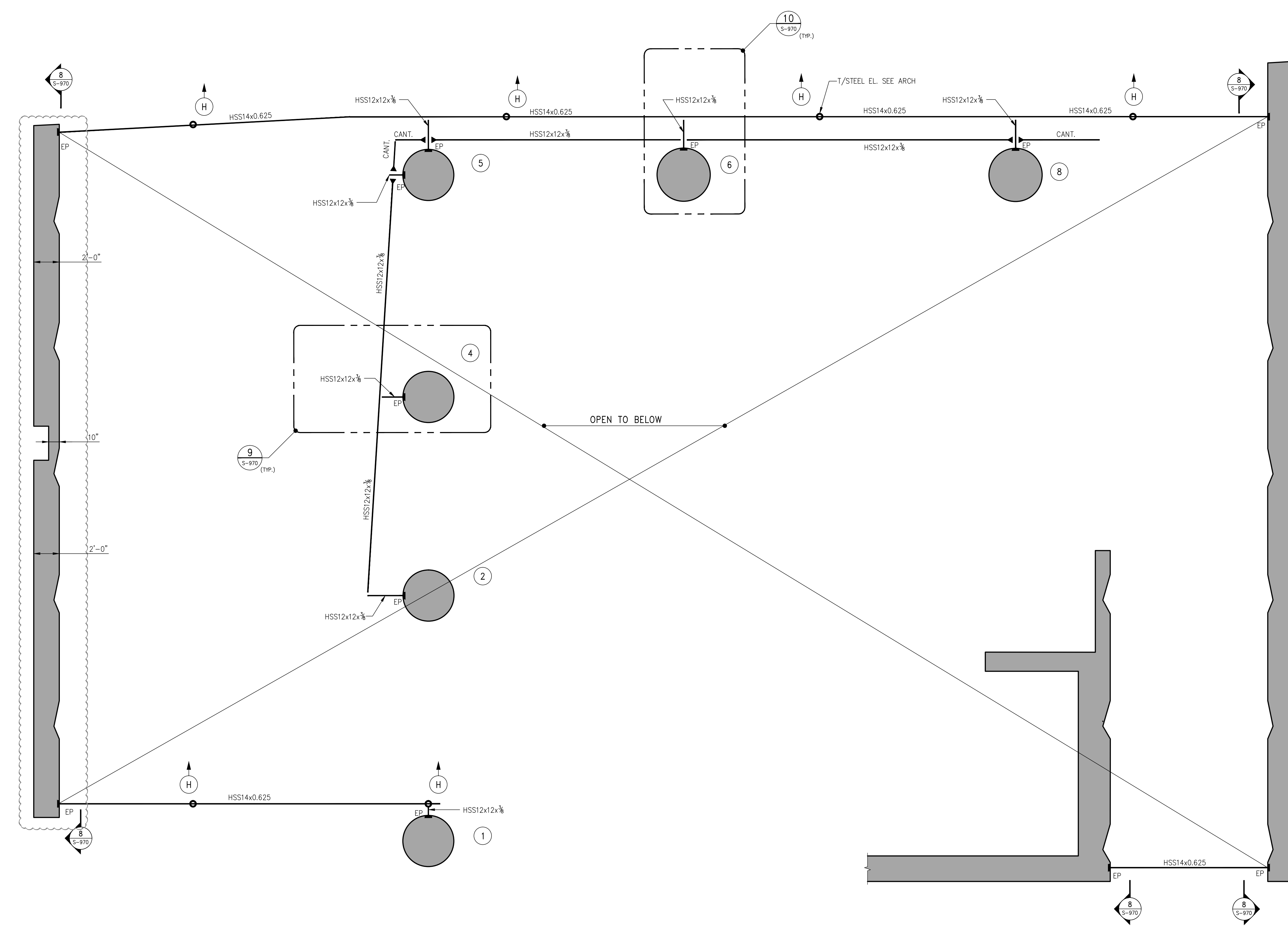
03-18-16	ISSUE TO JOB
02-10-16	REVISED SUPERSTRUCTURE
02-03-16	REVISED SUPERSTRUCTURE
11-17-15	REVISED SUPERSTRUCTURE FOR BID
10-23-15	REVISED PROGRAM LEVELS
DATE:	REVISION:



PROJECT:  
138 EAST 50TH STREET  
NEW YORK, N.Y.

DRAWING TITLE:  
3RD FLOOR  
PART FRAMING PLAN

SEAL & SIGNATURE: DATE: 05/14/2015  
PROJECT No.: 1990031  
DRAWN BY: CASO  
CHECKED BY: CS  
DWG. No.: S-031.00  
SHEET No.: of 0



1 3<sup>RD</sup> FLOOR PART FRAMING PLAN  
S-031 SCALE: 1" = 1'-0"

NOTES:  
1. FOR TOP OF STEEL ELEVATION SEE ARCHITECTURAL DRAWINGS

LEGEND:  
H INDICATE HSS 6x0.625

PROJECT:  
138 EAST 50TH ST.  
NEW YORK, NY

OWNER/DEVELOPER:  
CERUZZI PROPERTIES, LLC  
400 PARK AVENUE, 5th FLOOR  
NEW YORK, NY 10022  
TEL: (212) 300-1700

ARCHITECT OF RECORD:  
SLCEArchitects, LLP  
1359 BROADWAY, 14th FLOOR  
NEW YORK, NY 10018  
TEL: (212) 979-8400  
FAX: (212) 979-8387

DESIGN ARCHITECT:  
Pelli Clarke Pelli Architects  
322 EIGHTH AVENUE  
NEW YORK, NY 10001  
TEL: (212) 417-9494  
FAX: (212) 417-9497

STRUCTURAL ENGINEER:  
WSP  
228 East 45th St.  
New York, NY 10017  
(212) 687-9888  
www.wspgroup.com/usa

M.E.P. ENGINEER:  
MGE  
MGE Engineering D.P.C. is an engineer success  
115 West 126th Street, 12th Floor, New York, NY 10011  
P: (212) 633-0555 F: (212) 633-0550 www.mgepc.net

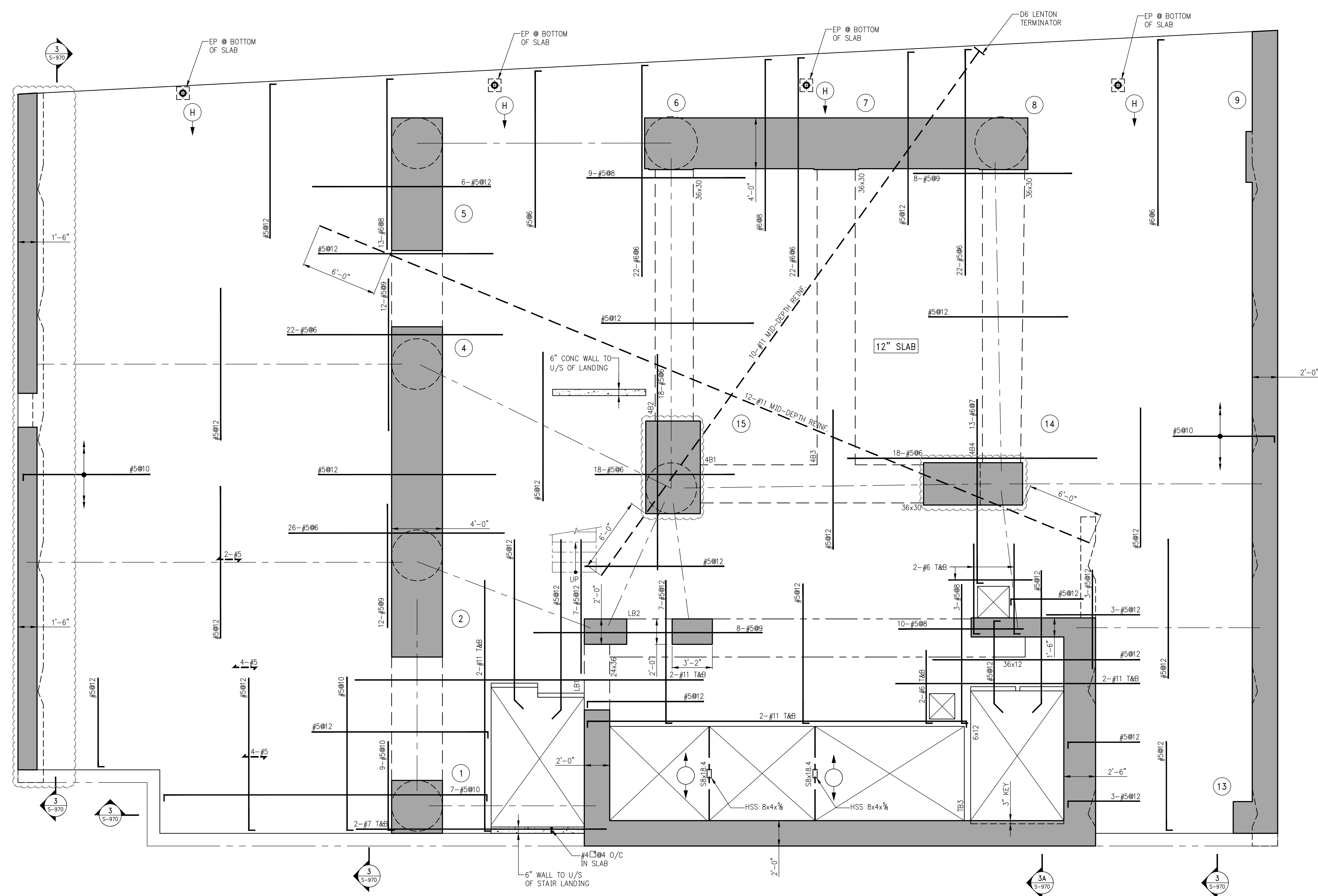
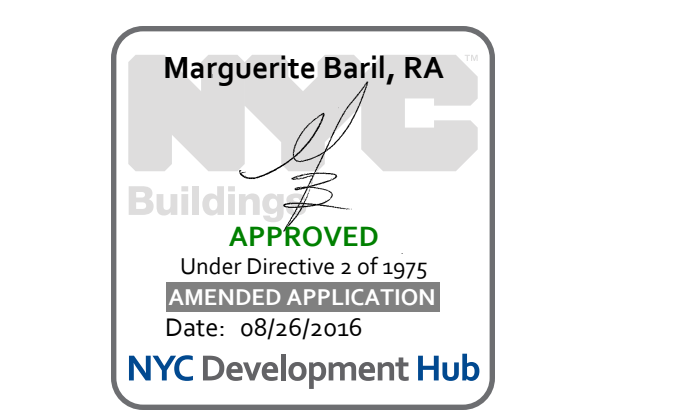
CIVIL ENGINEER:  
Philip Habib & Associates  
102 MADISON AVENUE, 11th FLOOR  
NEW YORK, NEW YORK 10016  
TEL: (212) 929-5656  
FAX: (212) 929-5655

DOB EXPEDITOR:  
JAM Consultants, Inc.  
104 WEST 29th STREET, 9th FLOOR  
NEW YORK, NEW YORK 10001  
TEL: (212) 244-4427  
FAX: (212) 244-4497

VERTICAL TRANSPORTATION CONSULTANT:  
Jenkins & Huntington, Inc.  
1251 AVENUE OF THE AMERICAS  
NEW YORK, NEW YORK 10020  
TEL: (212) 496-1818  
FAX: (212) 696-4528

ZONING CONSULTANT:  
Development Consulting Services  
330 WEST 42ND STREET  
NEW YORK, NEW YORK 10036  
TEL: (212) 714-0285  
FAX: (212) 714-0283

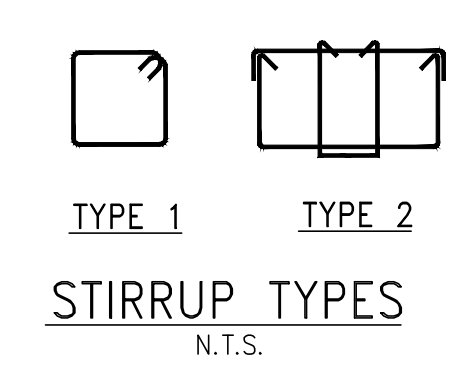
EXTERIOR WALL CONSULTANT:  
Vidaris, Incorporated  
340 PARK AVENUE SOUTH, 15th FL.  
NEW YORK, NEW YORK 10010  
TEL: (212) 689-5389



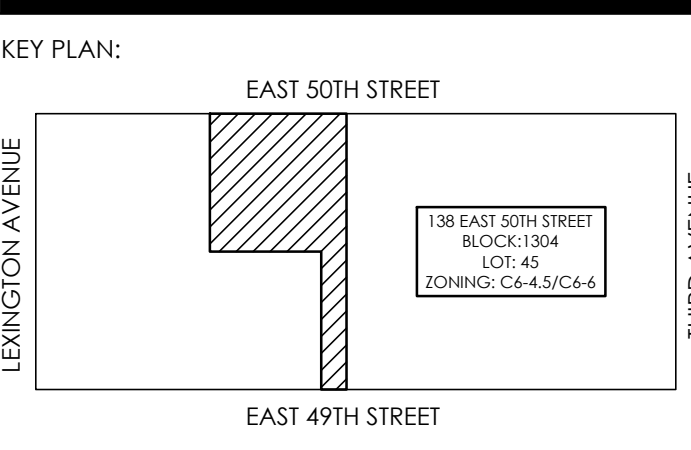
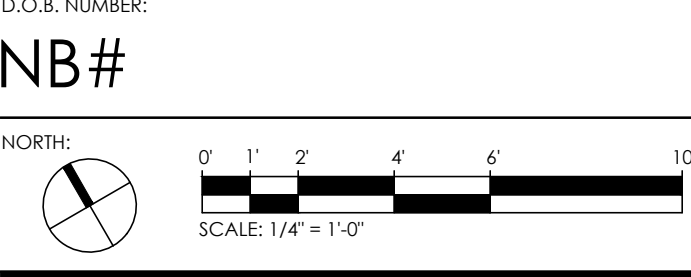
1 4TH FLOOR FRAMING PLAN  
S-040 SCALE: 1/4" = 1'-0"

- NOTES:
1. TOP OF SLAB ELEVATION TO BE 126'-1" U.O.N. THUS ON PLAN.
  2. SLAB TO BE 12" THICK U.O.N. THUS ON PLAN.
  3. BOTTOM REINFORCEMENT TO BE #5@12 CONT. E.W. FOR 12" SLAB U.O.N.
  4. FOR BALANCE OF NOTES SEE DRAWING S-010.

BEAM MARK	SIZE		REINFORCEMENT			STIRRUPS		REMARKS
	WIDTH	DEPTH	BOTTOM CONTINUOUS	TOP CONTINUOUS	TOP ADD'L BARS AT SUPPORT	TYPE	SPACING	
4B1	36	30	12-#11	12-#11		2 #5	@4	
4B2	36	30	10-#11	29-#11 (3 LAYERS)		2 #5	@6	
4B3	36	30	10-#11	21-#11 (2 LAYERS)		2 #5	@6	
4B4	36	30	10-#11	28-#11 (3 LAYERS)		2 #5	@6	



NO.	DATE	REVISION
03-18-16		ISSUE TO DOB
02-10-16		REVISED SUPERSTRUCTURE
02-10-16		REVISED SUPERSTRUCTURE
11-17-15		REVISED SUPERSTRUCTURE FOR BID
10-23-15		REVISED ROOM LEVELS
09-24-15		ADDITIONAL FRAMING SET
08-03-15		ISSUE FOR SUPERSTRUCTURE BID



PROJECT:  
138 EAST 50TH STREET  
NEW YORK, N.Y.

DRAWING TITLE:  
4TH FLOOR  
FRAMING PLAN

SEAL & SIGNATURE: [Signature] DATE: 05/14/2015  
PROJECT NO.: 199031  
DRAWN BY: CASO  
CHECKED BY: CS  
DWG. NO.: S-040.00  
SHEET NO.: 0 of 0



PROJECT:  
**138 EAST 50TH ST.**  
**NEW YORK, NY**

OWNER/DEVELOPER:  
**CERUZZI PROPERTIES, LLC**  
 400 PARK AVENUE, 5th FLOOR  
 NEW YORK, NY 10022  
 TEL: (212) 300-1700

ARCHITECT OF RECORD:  
**SLCEArchitects, LLP**  
 1359 BROADWAY, 14th FLOOR  
 NEW YORK, NY 10018  
 TEL: (212) 979-8400  
 FAX: (212) 979-8387

DESIGN ARCHITECT:  
**Pelli Clarke Pelli Architects**  
 322 EIGHTH AVENUE  
 NEW YORK, NY 10001  
 TEL: (212) 417-9494  
 FAX: (212) 417-9497

STRUCTURAL ENGINEER:  
**WSP**  
 228 East 45th St.  
 New York, NY 10017  
 (212) 687-0888  
 www.wspgroup.com/usa

M.E.P. ENGINEER:  
**MGE**  
**MGE Engineering D.P.C.**, an engineer success  
 118 West 32nd Street, 12th Floor, New York, NY 10001  
 P: (212) 693-0505 F: (212) 693-0503 www.mgepc.net

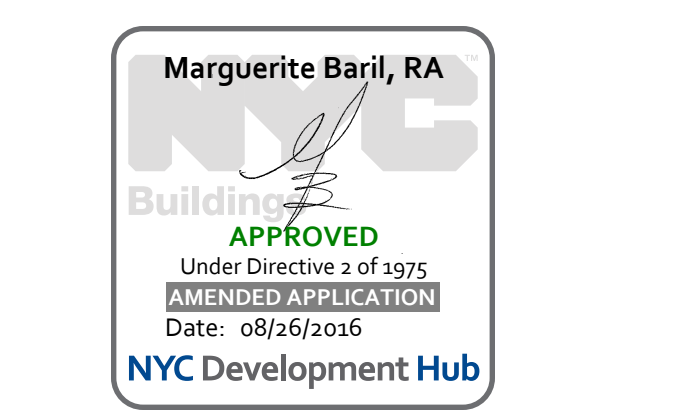
CIVIL ENGINEER:  
**Philip Habib & Associates**  
 102 MADISON AVENUE, 11th FLOOR  
 NEW YORK, NEW YORK 10016  
 TEL: (212) 929-5656  
 FAX: (212) 929-5655

DOB EXPEDITOR:  
**JAM Consultants, Inc.**  
 104 WEST 29th STREET, 9th FLOOR  
 NEW YORK, NEW YORK 10001  
 TEL: (212) 244-4427  
 FAX: (212) 244-4497

VERTICAL TRANSPORTATION CONSULTANT:  
**Jenkins & Huntington, Inc.**  
 1251 AVENUE OF THE AMERICAS  
 NEW YORK, NEW YORK 10020  
 TEL: (212) 496-1818  
 FAX: (212) 696-4528

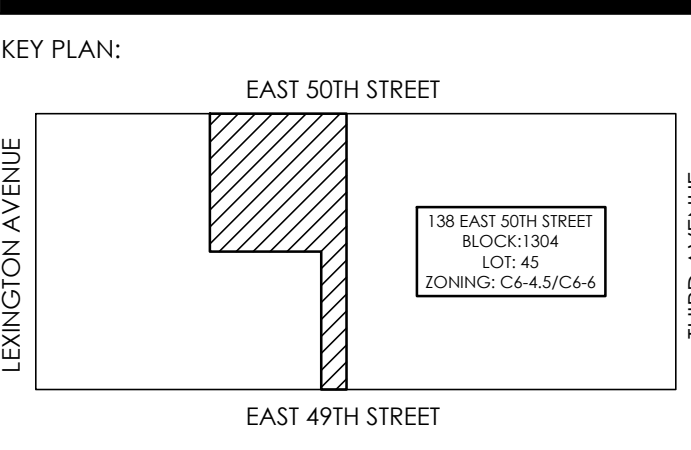
ZONING CONSULTANT:  
**Development Consulting Services**  
 330 WEST 42ND STREET  
 NEW YORK, NEW YORK 10036  
 TEL: (212) 714-0285  
 FAX: (212) 714-0283

EXTERIOR WALL CONSULTANT:  
**Vidaris, Incorporated**  
 340 PARK AVENUE SOUTH, 15th FL.  
 NEW YORK, NEW YORK 10010  
 TEL: (212) 689-5389



NO.	DATE	DESCRIPTION
05-18-16	ISSUE TO DOB	
02-18-16	REVISED SUPERSTRUCTURE	
02-03-16	REVISED SUPERSTRUCTURE	
11-17-15	REVISED SUPERSTRUCTURE FOR BID	
09-16-15	ADDENDUM 1 PRICING SET	
08-03-15	ISSUE FOR SUPERSTRUCTURE BID	
	DATE:	REVISION:

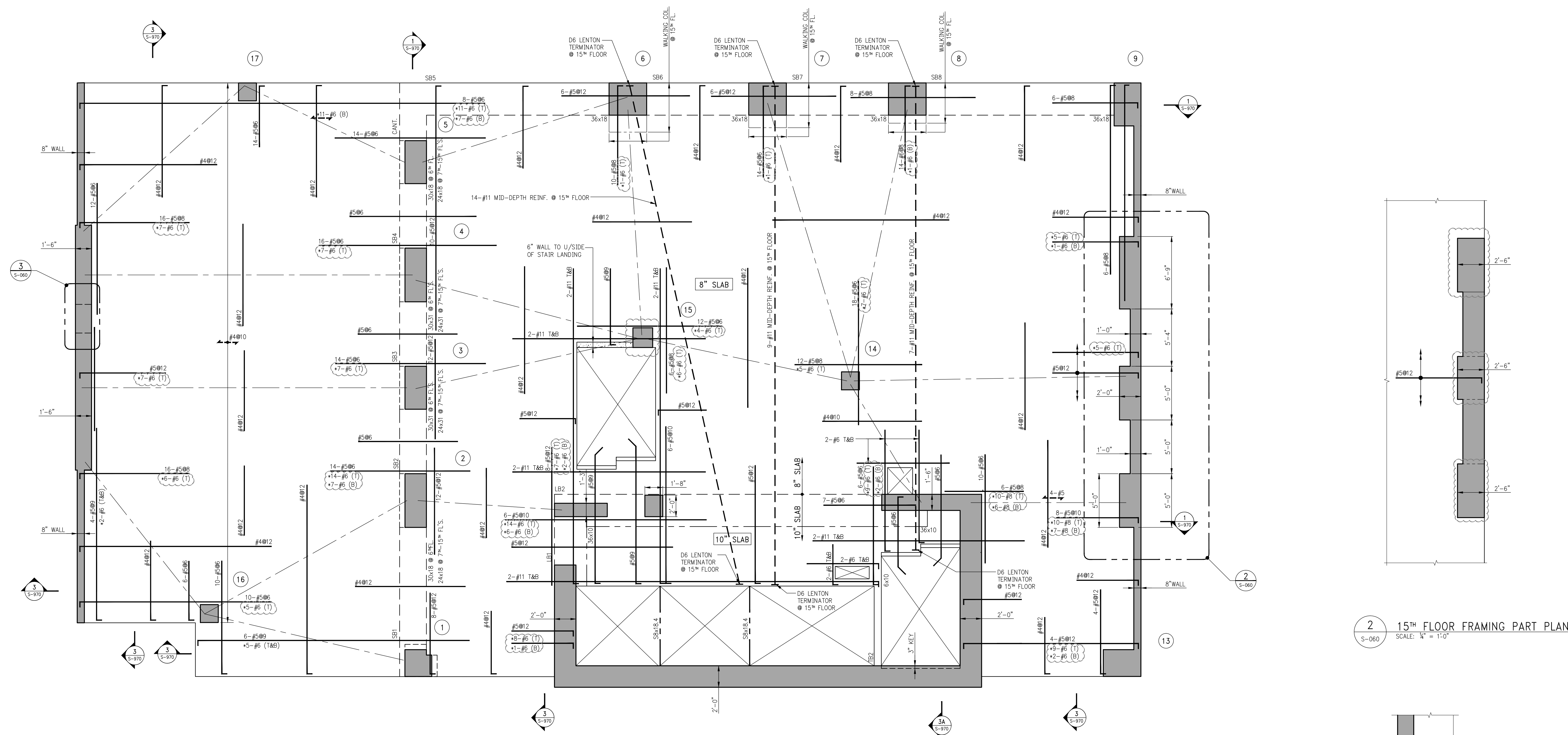
DOB NUMBER:  
**NB#**



PROJECT:  
**138 EAST 50TH STREET**  
**NEW YORK, N.Y.**

DRAWING TITLE:  
**6TH - 15TH FLOOR**  
**FRAMING PLAN**

SEAL & SIGNATURE:  
  
 DATE: 05/14/2015  
 PROJECT No.: 1590031  
 DRAWN BY: CASO  
 CHECKED BY: CS  
 DWG. No.:  
**S-060.00**  
 SHEET No.: of 0

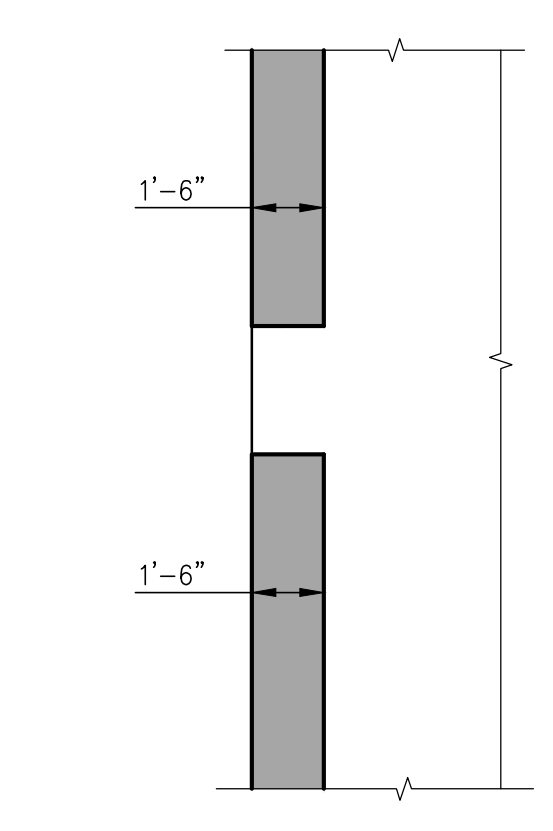


**1 6TH - 15TH FLOOR FRAMING PLAN**  
 SCALE: 1/4" = 1'-0"

- NOTES:
- TOP OF SLAB ELEVATION TO BE AS FOLLOWS: U.O.N. THUS [ ] ON PLAN (TYP.)
 

159'-4"	@ 6" FLOOR
170'-0"	@ 7" FLOOR
180'-8"	@ 8" FLOOR
191'-4"	@ 9" FLOOR
202'-0"	@ 10" FLOOR
212'-8"	@ 11" FLOOR
223'-4"	@ 12" FLOOR
234'-0"	@ 13" FLOOR
244'-8"	@ 14" FLOOR
255'-4"	@ 15" FLOOR
  - SLAB TO BE 8" THICK. U.O.N. THUS [ ] ON PLAN.
  - BOTTOM REINFORCEMENT TO BE #4@12 CONT. E.W. FOR 8" SLAB U.O.N. #4@10 CONT. E.W. FOR 10" SLAB U.O.N.
  - FOR BALANCE OF NOTES SEE DRAWING S-010.

**2 15TH FLOOR FRAMING PART PLAN**  
 SCALE: 1/4" = 1'-0"



**3 6TH - 9TH FLOOR FRAMING PART PLAN**  
 SCALE: 1/4" = 1'-0"



PROJECT:  
138 EAST 50TH ST.  
NEW YORK, NY

OWNER/DEVELOPER:  
CERUZZI PROPERTIES, LLC  
400 PARK AVENUE, 5th FLOOR  
NEW YORK, NY 10022  
TEL: (212) 300-1700

ARCHITECT OF RECORD:  
SLCEArchitects, LLP  
1359 BROADWAY, 14th FLOOR  
NEW YORK, NY 10018  
TEL: (212) 979-8400  
FAX: (212) 979-8387

DESIGN ARCHITECT:  
Pelli Clarke Pelli Architects  
322 EIGHTH AVENUE  
NEW YORK, NY 10001  
TEL: (212) 417-9494  
FAX: (212) 417-9497

STRUCTURAL ENGINEER:  
WSP  
228 East 45th St.  
New York, NY 10017  
(212) 687-9888  
www.wspgroup.com/usa

M.P.E.P. ENGINEER:  
MGE  
MGE Engineering D.P.C., Inc. an engineer success  
115 West 32nd Street, 12th Floor, New York, NY 10001  
P: (212) 633-0555 F: (212) 633-0550 www.mgepc.net

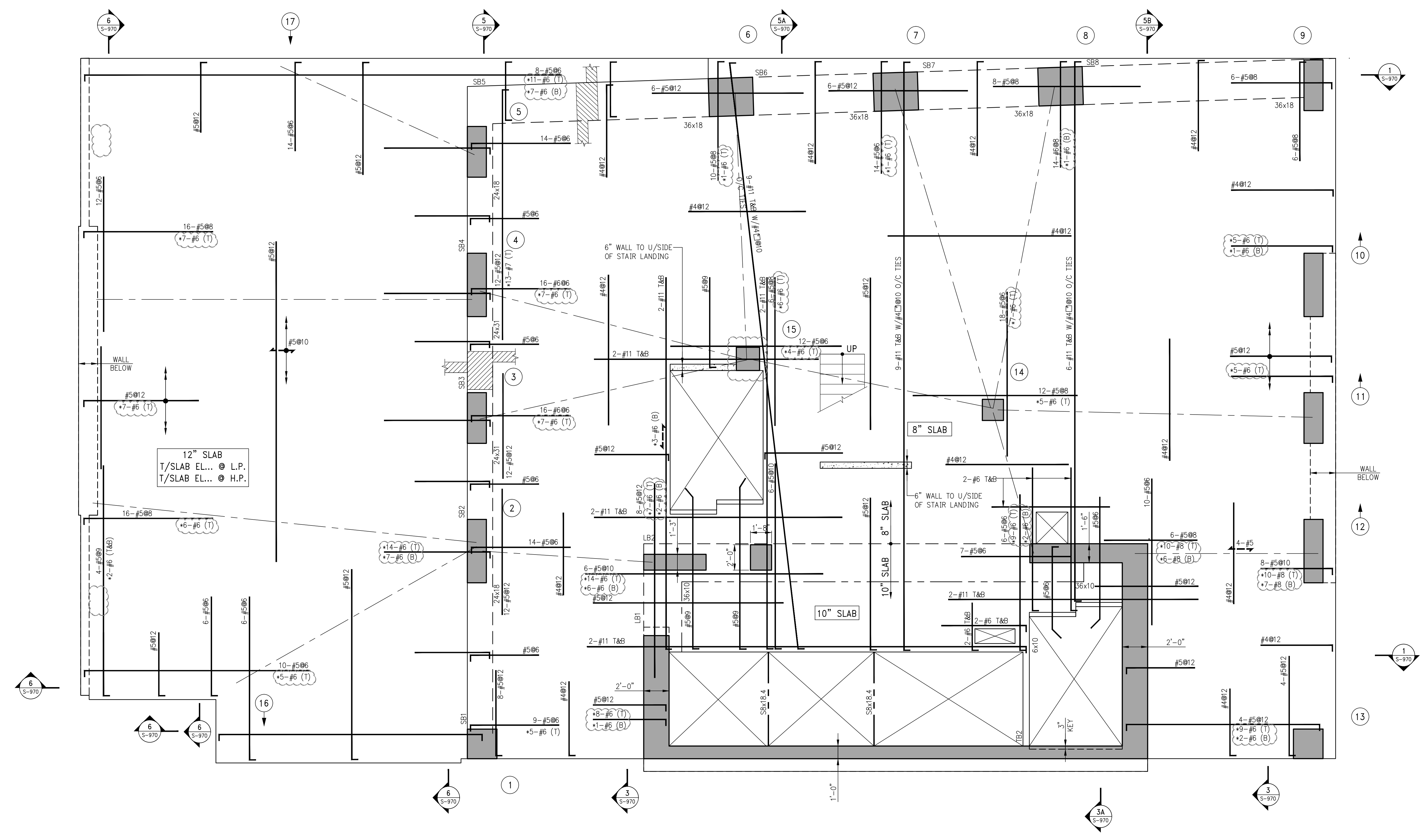
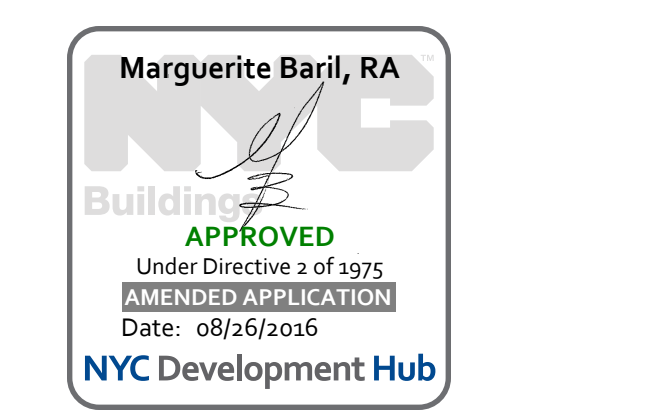
CIVIL ENGINEER:  
Philip Habib & Associates  
102 MADISON AVENUE, 11th FLOOR  
NEW YORK, NEW YORK 10016  
TEL: (212) 929-5656  
FAX: (212) 929-5655

DOB EXPEDITOR:  
JAM Consultants, Inc.  
104 WEST 29th STREET, 9th FLOOR  
NEW YORK, NEW YORK 10001  
TEL: (212) 244-4427  
FAX: (212) 244-4497

VERTICAL TRANSPORTATION CONSULTANT:  
Jenkins & Huntington, Inc.  
1251 AVENUE OF THE AMERICAS  
NEW YORK, NEW YORK 10020  
TEL: (212) 696-1818  
FAX: (212) 696-4528

ZONING CONSULTANT:  
Development Consulting Services  
330 WEST 42ND STREET  
NEW YORK, NEW YORK 10036  
TEL: (212) 714-0285  
FAX: (212) 714-0283

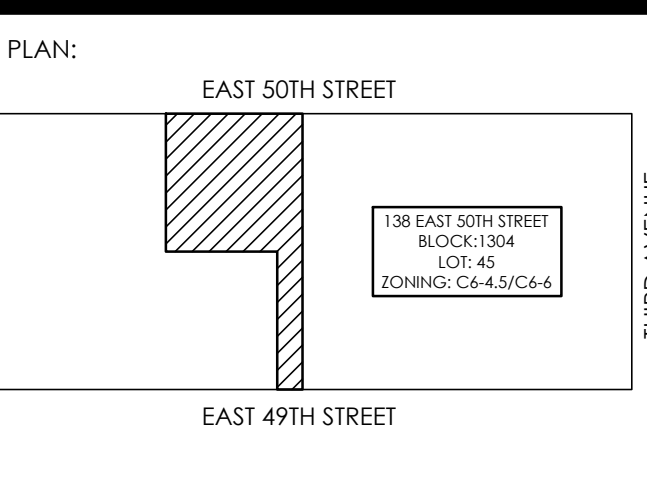
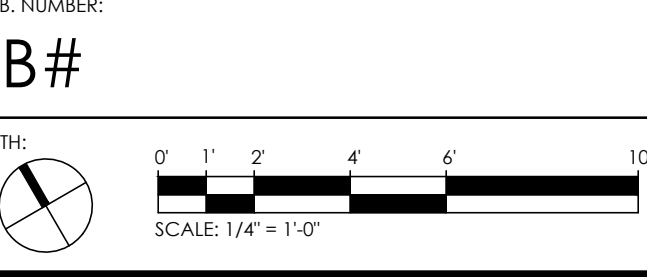
EXTERIOR WALL CONSULTANT:  
Vidar, Incorporated  
340 PARK AVENUE SOUTH, 15th FL.  
NEW YORK, NEW YORK 10010  
TEL: (212) 689-5389



1 16TH FLOOR FRAMING PLAN  
S-160

- NOTES:
1. TOP OF SLAB ELEVATION TO BE 267'-2" U.O.N. THIS [ ] ON PLAN.
  2. SLAB TO BE 8" THICK U.O.N. THIS [ ] ON PLAN.
  3. BOTTOM REINFORCEMENT TO BE #4@12 CONT. E.W. FOR 8" SLAB U.O.N. #4@10 CONT. E.W. FOR 10" SLAB U.O.N. #5@12 CONT. E.W. FOR 12" SLAB U.O.N.
  4. FOR BALANCE OF NOTES SEE DRAWING S-010.

NO.	DATE	DESCRIPTION
05-18-18	ISSUE TO DOB	
02-10-16	REVISED SUPERSTRUCTURE	
02-03-16	REVISED SUPERSTRUCTURE	
11-17-15	REVISED SUPERSTRUCTURE FOR BID	
09-25-15	ADDITIONAL FRAMING SET	
08-03-15	ISSUE FOR SUPERSTRUCTURE BID	



PROJECT:  
138 EAST 50TH STREET  
NEW YORK, N.Y.

DRAWING TITLE:  
16TH FLOOR  
FRAMING PLAN

SEAL & SIGNATURE: [Signature] DATE: 05/14/2015  
PROJECT No.: 1590031  
DRAWN BY: CASO  
CHECKED BY: CS  
DWG. No.: S-160.00  
SHEET No.: 0 of 0

PROJECT:  
138 EAST 50TH ST.  
NEW YORK, NY

OWNER/DEVELOPER:  
CERUZZI PROPERTIES, LLC  
400 PARK AVENUE, 5th FLOOR  
NEW YORK, NY 10022  
TEL: (212) 300-1700

ARCHITECT OF RECORD:  
SLCEArchitects, LLP  
1359 BROADWAY, 14th FLOOR  
NEW YORK, NY 10018  
TEL: (212) 979-8400  
FAX: (212) 979-8387

DESIGN ARCHITECT:  
Pelli Clarke Pelli Architects  
322 EIGHTH AVENUE  
NEW YORK, NY 10001  
TEL: (212) 417-9494  
FAX: (212) 417-9497

STRUCTURAL ENGINEER:  
WSP  
228 East 45th St.  
New York, NY 10017  
(212) 687-9888  
www.wspgroup.com/usa

M.E.P. ENGINEER:  
MGE  
MGE Engineering D.P.C., an engineer success  
118 West 126th Street, 12th Floor, New York, NY 10011  
P: (212) 633-0555 F: (212) 633-0550 www.mgepc.net

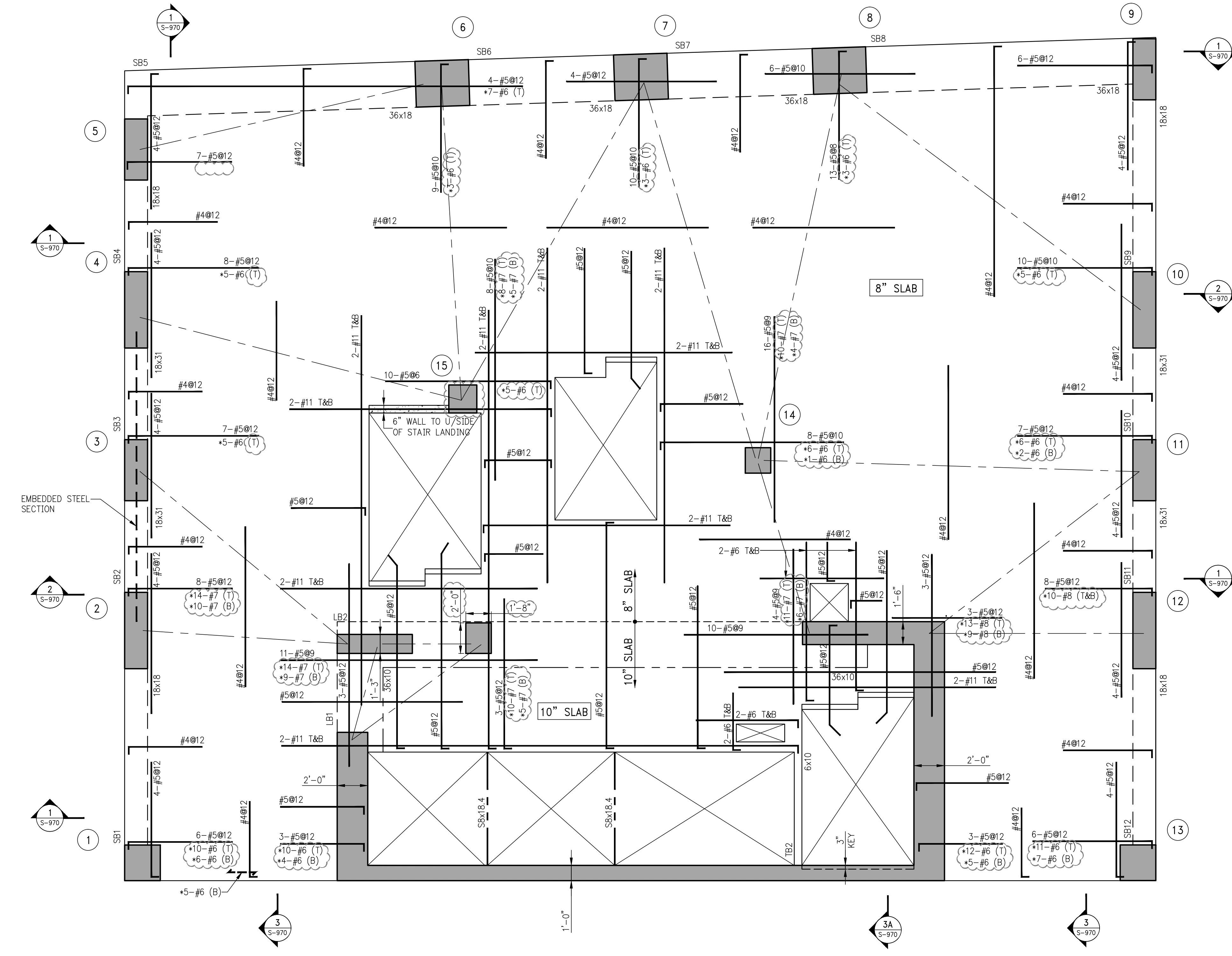
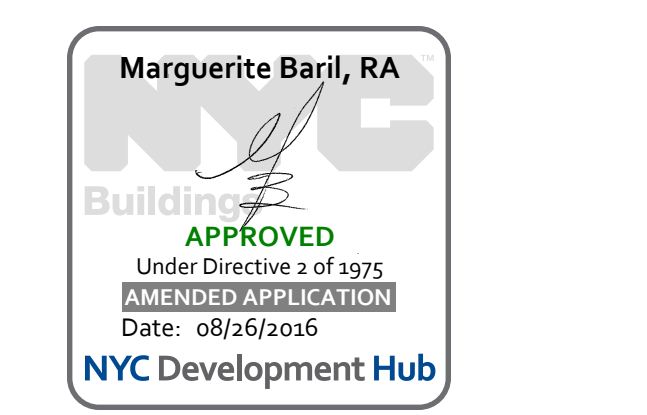
CIVIL ENGINEER:  
Philip Habis & Associates  
102 MADISON AVENUE, 11th FLOOR  
NEW YORK, NEW YORK 10016  
TEL: (212) 929-5656  
FAX: (212) 929-5655

DOB EXPEDITOR:  
JAM Consultants, Inc.  
104 WEST 29th STREET, 9th FLOOR  
NEW YORK, NEW YORK 10001  
TEL: (212) 244-4427  
FAX: (212) 244-4497

VERTICAL TRANSPORTATION CONSULTANT:  
Jenkins & Huntington, Inc.  
1251 AVENUE OF THE AMERICAS  
NEW YORK, NEW YORK 10020  
TEL: (212) 496-1818  
FAX: (212) 696-4528

ZONING CONSULTANT:  
Development Consulting Services  
330 WEST 42ND STREET  
NEW YORK, NEW YORK 10036  
TEL: (212) 714-0285  
FAX: (212) 714-0283

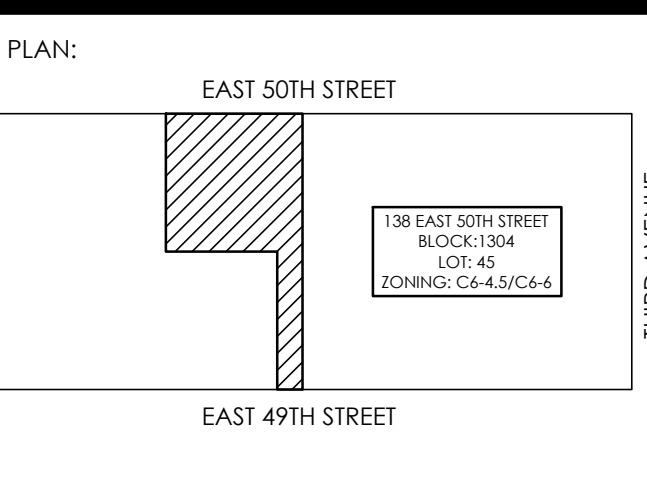
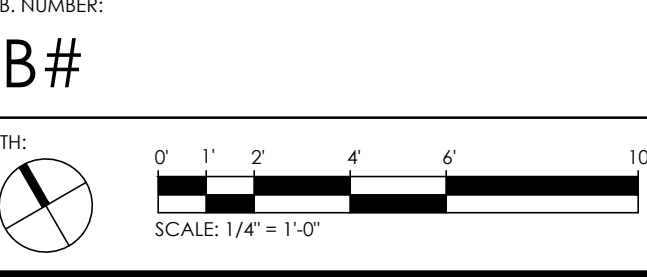
EXTERIOR WALL CONSULTANT:  
Vidaris, Incorporated  
340 PARK AVENUE SOUTH, 15th FL.  
NEW YORK, NEW YORK 10010  
TEL: (212) 689-3389



1 17TH FLOOR FRAMING PLAN  
SCALE: 1/4\"/>

- NOTES:
1. TOP OF SLAB ELEVATION TO BE 278'-0\"/>

NO.	DATE	REVISION
05-18-15	ISSUE TO DOB	
02-10-15	REVISED SUPERSTRUCTURE	
02-03-15	REVISED SUPERSTRUCTURE	
11-17-15	REVISED SUPERSTRUCTURE FOR BID	
09-23-15	ADDENDUM 1 FRAMING SET	
08-03-15	ISSUE FOR SUPERSTRUCTURE BID	



PROJECT:  
138 EAST 50TH STREET  
NEW YORK, N.Y.

DRAWING TITLE:  
17TH FLOOR  
FRAMING PLAN

SEAL & SIGNATURE:  
DATE: 05/14/2015  
PROJECT No.: 1590031  
DRAWN BY: CASO  
CHECKED BY: CS  
DWG. No.: S-170.00  
SHEET No.: of 0







PROJECT:  
138 EAST 50TH ST.  
NEW YORK, NY

OWNER/DEVELOPER:  
CERUZZI PROPERTIES, LLC  
400 PARK AVENUE, 5th FLOOR  
NEW YORK, NY 10022  
TEL: (212) 300-1700

ARCHITECT OF RECORD:  
SLCEArchitects, LLP  
1359 BROADWAY, 14th FLOOR  
NEW YORK, NY 10018  
TEL: (212) 979-8400  
FAX: (212) 979-8387

DESIGN ARCHITECT:  
Pelli Clarke Pelli Architects  
322 EIGHTH AVENUE  
NEW YORK, NY 10001  
TEL: (212) 417-9494  
FAX: (212) 417-9497

STRUCTURAL ENGINEER:  
WSP  
228 East 45th St.  
New York, NY 10017  
(212) 687-9888  
www.wspgroup.com/usa

M.E.P. ENGINEER:  
MGE  
MGE Engineering D.P.C. is an engineer success  
115 West 126th Street, 12th Floor, New York, NY 10011  
P: (212) 633-0555 F: (212) 633-0550 www.mgepc.net

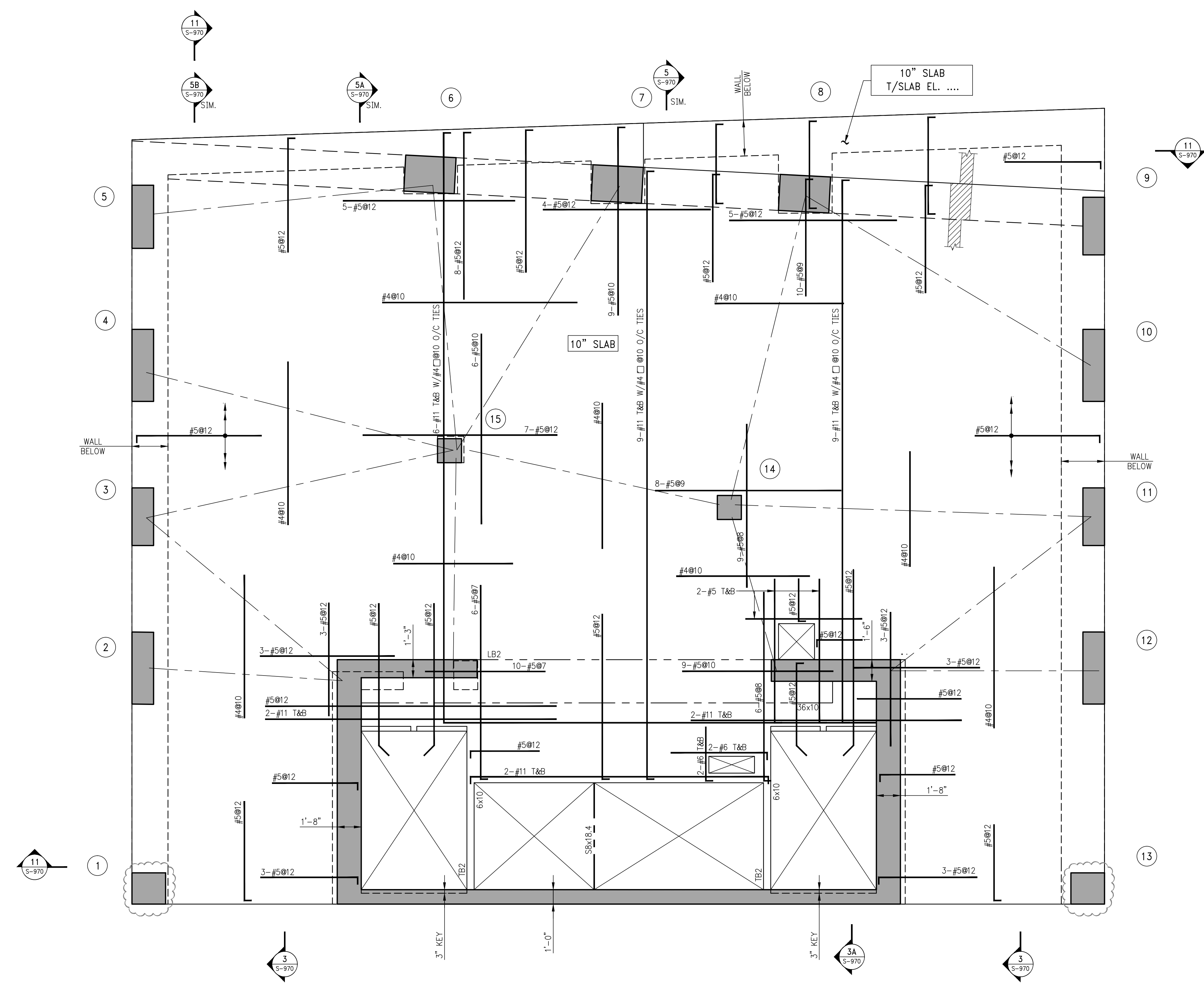
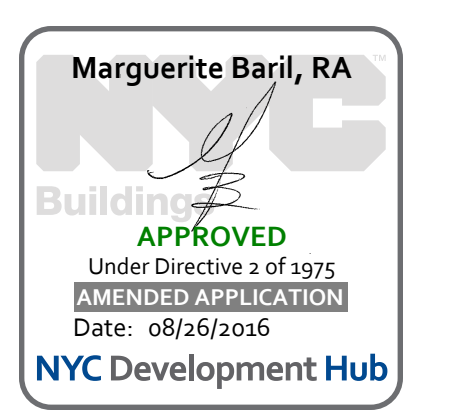
CIVIL ENGINEER:  
Philip Habib & Associates  
102 MADISON AVENUE, 11th FLOOR  
NEW YORK, NEW YORK 10016  
TEL: (212) 929-5656  
FAX: (212) 929-5655

DOB EXPEDITOR:  
JAM Consultants, Inc.  
104 WEST 29th STREET, 9th FLOOR  
NEW YORK, NEW YORK 10001  
TEL: (212) 244-4427  
FAX: (212) 244-4497

VERTICAL TRANSPORTATION CONSULTANT:  
Jenkins & Huntington, Inc.  
1251 AVENUE OF THE AMERICAS  
NEW YORK, NEW YORK 10020  
TEL: (212) 696-1818  
FAX: (212) 696-4528

ZONING CONSULTANT:  
Development Consulting Services  
330 WEST 42ND STREET  
NEW YORK, NEW YORK 10036  
TEL: (212) 714-0285  
FAX: (212) 714-0283

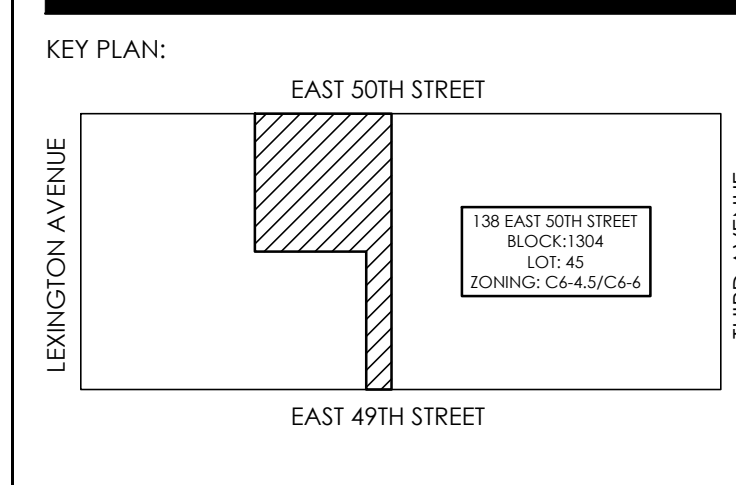
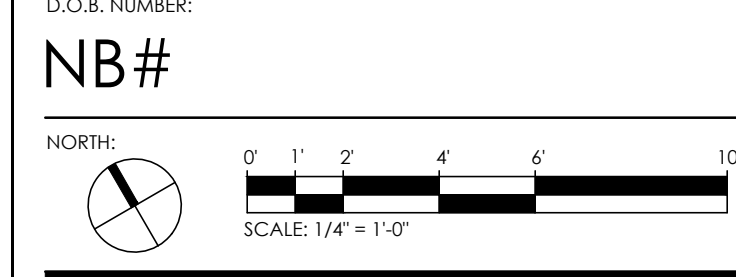
EXTERIOR WALL CONSULTANT:  
Vidaris, Incorporated  
340 PARK AVENUE SOUTH, 15th FL.  
NEW YORK, NEW YORK 10010  
TEL: (212) 689-3389



1 27TH FLOOR FRAMING PLAN  
S-270 SCALE: 1/4" = 1'-0"

- NOTES:
1. TOP OF SLAB ELEVATION TO BE 390'-2" U.O.N. THIS [ ] ON PLAN.
  2. SLAB TO BE 10" THICK U.O.N. THIS [ ] ON PLAN.
  3. BOTTOM REINFORCEMENT TO BE #4@10 CONT. E.W. FOR 10" SLAB U.O.N.
  4. f'c TO BE 10,000 psi.
  5. FOR BALANCE OF NOTES SEE DRAWING S-010.

NO.	DATE	DESCRIPTION
05-18-16	ISSUE TO DOB	
02-18-16	REVISED SUPERSTRUCTURE	
02-03-16	REVISED SUPERSTRUCTURE	
11-17-15	REVISED SUPERSTRUCTURE FOR BID	
09-23-15	ADDITIONAL FLOOR SET	
08-03-15	ISSUE FOR SUPERSTRUCTURE BID	



PROJECT:  
138 EAST 50TH STREET  
NEW YORK, N.Y.

DRAWING TITLE:  
27TH FLOOR  
FRAMING PLAN

SEAL & SIGNATURE:  
DATE: 05/14/2015  
PROJECT No.: 1990031  
DRAWN BY: CASO  
CHECKED BY: CS  
DWG. No.: S-270.00  
SHEET No.: 1 of 0

PROJECT:  
138 EAST 50TH ST.  
NEW YORK, NY

OWNER/DEVELOPER:  
CERUZZI PROPERTIES, LLC  
400 PARK AVENUE, 5th FLOOR  
NEW YORK, NY 10022  
TEL: (212) 300-1700

ARCHITECT OF RECORD:  
SLCEArchitects, LLP  
1359 BROADWAY, 14th FLOOR  
NEW YORK, NY 10018  
TEL: (212) 979-8400  
FAX: (212) 979-8387

DESIGN ARCHITECT:  
Pelli Clarke Pelli Architects  
322 EIGHTH AVENUE  
NEW YORK, NY 10001  
TEL: (212) 417-9494  
FAX: (212) 417-9497

STRUCTURAL ENGINEER:  
WSP  
228 East 45th St.  
New York, NY 10017  
(212) 687-9888  
www.wspgroup.com/usa

M.E.P. ENGINEER:  
MGE  
115 West 32nd Street, 12th Floor, New York, NY 10001  
P: (212) 693-1050 F: (212) 693-0550 www.mgepc.net

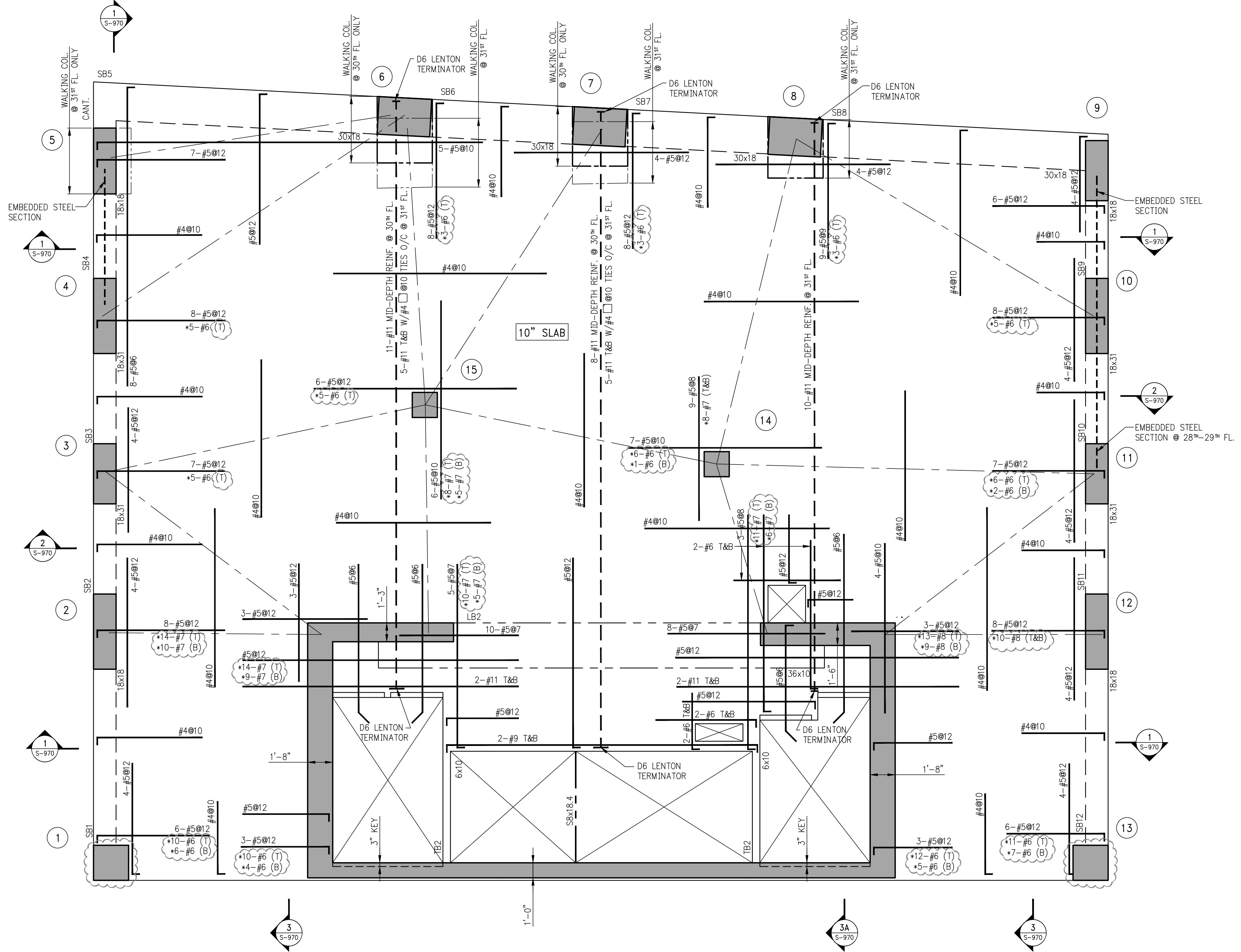
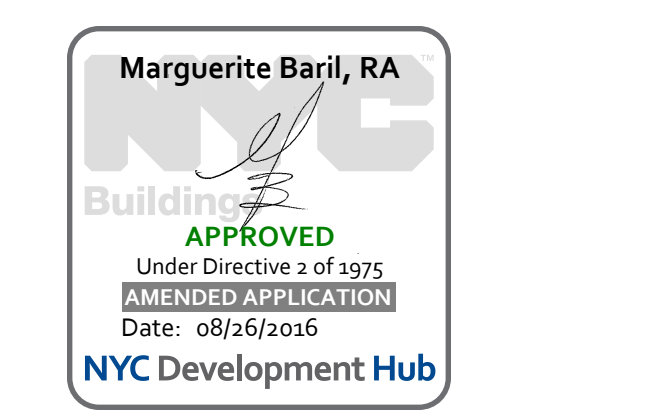
CIVIL ENGINEER:  
Philip Habis & Associates  
102 MADISON AVENUE, 11th FLOOR  
NEW YORK, NEW YORK 10016  
TEL: (212) 929-5656  
FAX: (212) 929-5655

DOB EXPEDITOR:  
JAM Consultants, Inc.  
104 WEST 29th STREET, 9th FLOOR  
NEW YORK, NEW YORK 10001  
TEL: (212) 244-4427  
FAX: (212) 244-4497

VERTICAL TRANSPORTATION CONSULTANT:  
Jenkins & Huntington, Inc.  
1251 AVENUE OF THE AMERICAS  
NEW YORK, NEW YORK 10020  
TEL: (212) 696-1818  
FAX: (212) 696-4528

ZONING CONSULTANT:  
Development Consulting Services  
330 WEST 42ND STREET  
NEW YORK, NEW YORK 10036  
TEL: (212) 714-0285  
FAX: (212) 714-0283

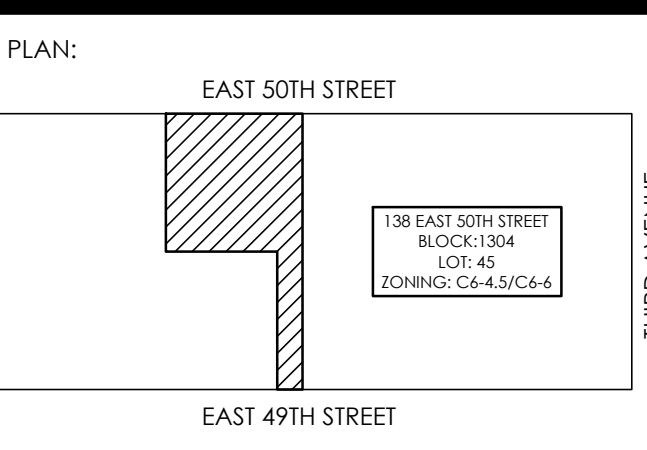
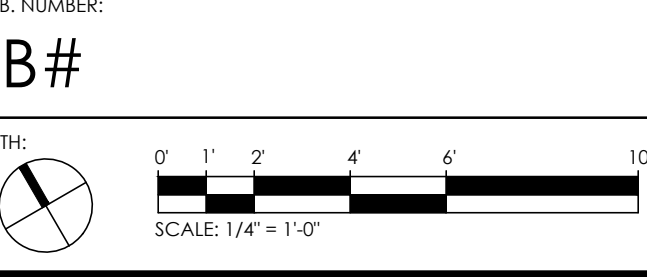
EXTERIOR WALL CONSULTANT:  
Vidaris, Incorporated  
340 PARK AVENUE SOUTH, 15th FL.  
NEW YORK, NEW YORK 10010  
TEL: (212) 689-3389



1 28<sup>TH</sup> - 31<sup>ST</sup> FLOOR FRAMING PLAN  
SCALE: 1/8" = 1'-0"

- NOTES:
- TOP OF SLAB ELEVATION TO BE AS FOLLOWS:  
401'-2" @ 28<sup>TH</sup> FLOOR  
412'-2" @ 29<sup>TH</sup> FLOOR  
423'-2" @ 30<sup>TH</sup> FLOOR  
434'-2" @ 31<sup>ST</sup> FLOOR THUS [ ] ON PLAN.
  - SLAB TO BE 10" THICK U.O.N. THUS [ ] ON PLAN.
  - BOTTOM REINFORCEMENT TO BE #4@10 CONT. E.W. FOR 10" SLAB U.O.N.
  - FOR BALANCE OF NOTES SEE DRAWING S-010.

05-18-18	ISSUE TO DOB
02-18-18	REVISED SUPERSTRUCTURE
02-03-18	REVISED SUPERSTRUCTURE
11-17-15	REVISED SUPERSTRUCTURE FOR BID
09-15-15	ADDITIONAL 1 FLOOR SET
08-03-15	ISSUE FOR SUPERSTRUCTURE BID
DATE:	REVISION:



PROJECT:  
138 EAST 50TH STREET  
NEW YORK, N.Y.

DRAWING TITLE:  
28TH - 31ST FLOOR  
FRAMING PLAN

SEAL & SIGNATURE:  
DATE: 05/14/2015  
PROJECT No.: 199031  
DRAWN BY: CASO  
CHECKED BY: CS  
DWG. No.:  
S-280.00  
SHEET No.: of 0

PROJECT:  
138 EAST 50TH ST.  
NEW YORK, NY

OWNER/DEVELOPER:  
CERUZZI PROPERTIES, LLC  
400 PARK AVENUE, 5th FLOOR  
NEW YORK, NY 10022  
TEL: (212) 300-1700

ARCHITECT OF RECORD:  
SLCEArchitects, LLP  
1359 BROADWAY, 14th FLOOR  
NEW YORK, NY 10018  
TEL: (212) 979-8400  
FAX: (212) 979-8387

DESIGN ARCHITECT:  
Pelli Clarke Pelli Architects  
322 EIGHTH AVENUE  
NEW YORK, NY 10001  
TEL: (212) 417-9494  
FAX: (212) 417-9497

STRUCTURAL ENGINEER:  
WSP  
228 East 45th St.  
New York, NY 10017  
(212) 687-9888  
www.wspgroup.com/usa

M.E.P. ENGINEER:  
MGE  
115 West 32nd Street, 12th Floor, New York, NY 10001  
P: (212) 693-0555 F: (212) 693-0550 www.mgepc.net

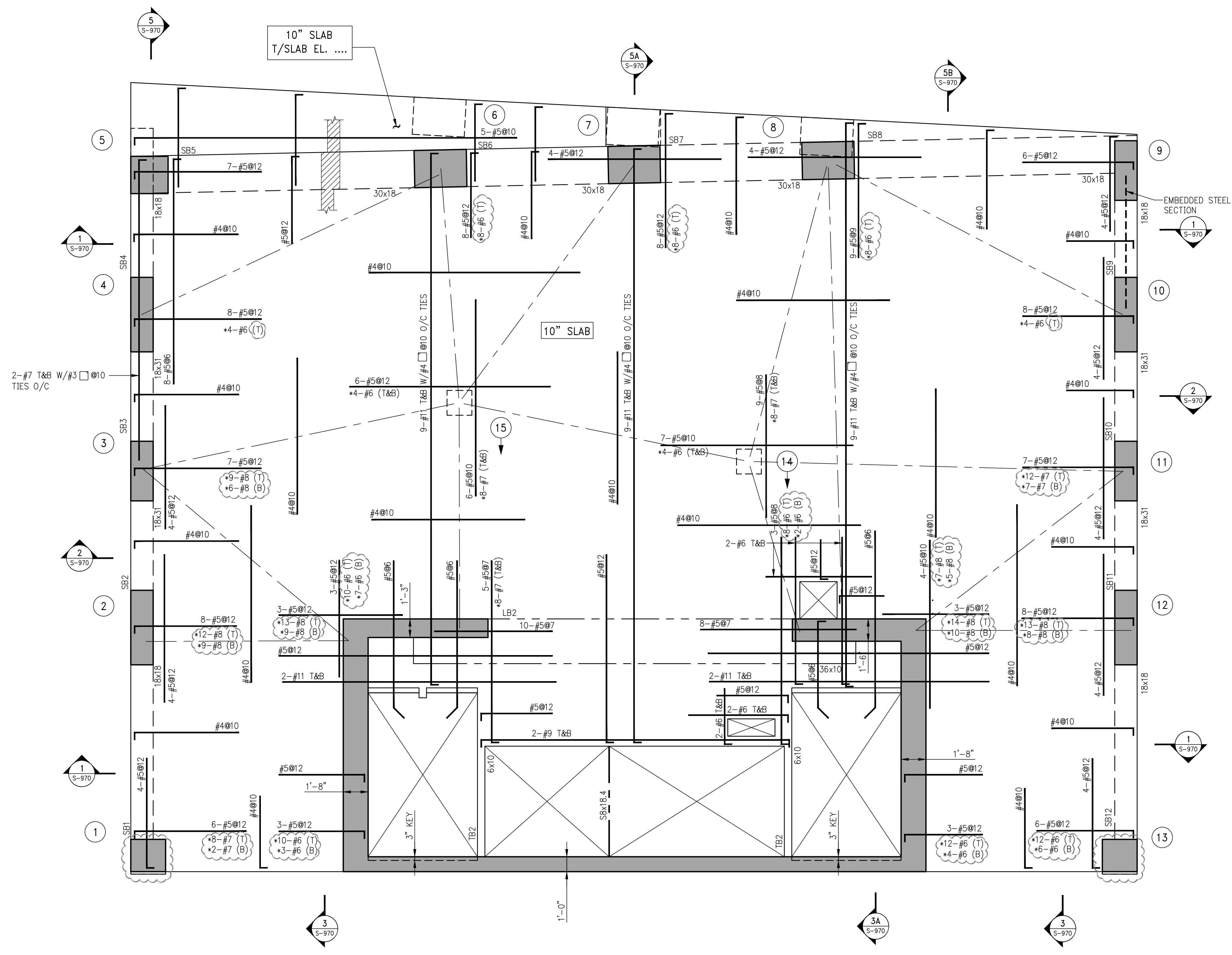
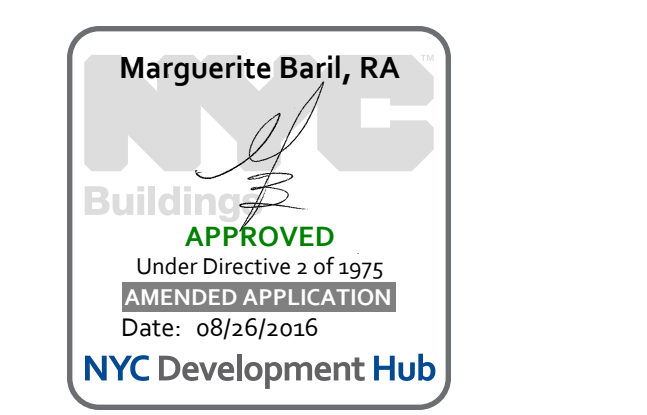
CIVIL ENGINEER:  
Philip Habib & Associates  
102 MADISON AVENUE, 11th FLOOR  
NEW YORK, NEW YORK 10016  
TEL: (212) 929-5656  
FAX: (212) 929-5655

DOB EXPEDITOR:  
JAM Consultants, Inc.  
104 WEST 29th STREET, 9th FLOOR  
NEW YORK, NEW YORK 10001  
TEL: (212) 244-4427  
FAX: (212) 244-4497

VERTICAL TRANSPORTATION CONSULTANT:  
Jenkins & Huntington, Inc.  
1251 AVENUE OF THE AMERICAS  
NEW YORK, NEW YORK 10020  
TEL: (212) 496-1818  
FAX: (212) 696-4526

ZONING CONSULTANT:  
Development Consulting Services  
330 WEST 42ND STREET  
NEW YORK, NEW YORK 10036  
TEL: (212) 714-0285  
FAX: (212) 714-0283

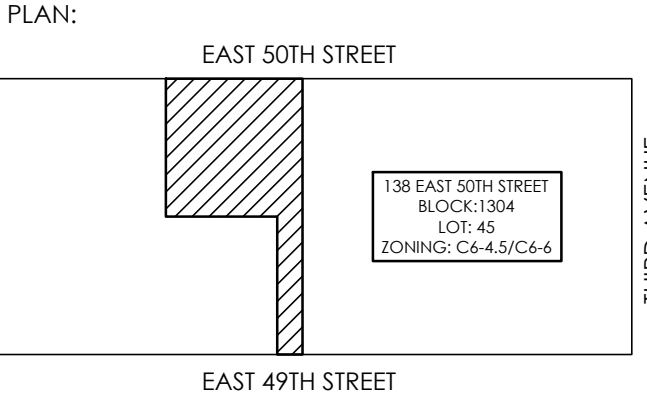
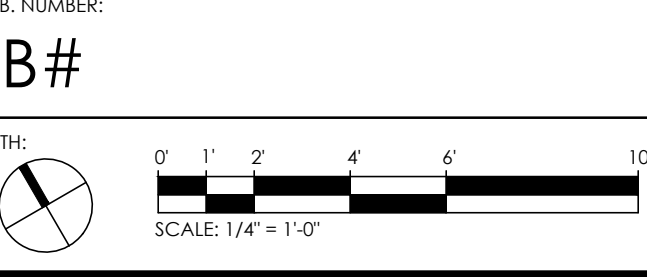
EXTERIOR WALL CONSULTANT:  
Vidaris, Incorporated  
340 PARK AVENUE SOUTH, 15th FL.  
NEW YORK, NEW YORK 10010  
TEL: (212) 689-3389



1 32<sup>ND</sup> FLOOR FRAMING PLAN  
S-320  
SCALE: 1/4" = 1'-0"

- NOTES:
1. TOP OF SLAB ELEVATION TO BE 446'-2" U.O.N. THIS [ ] ON PLAN.
  2. SLAB TO BE 10" THICK U.O.N. THIS [ ] ON PLAN.
  3. BOTTOM REINFORCEMENT TO BE #4@10 CONT. E.W. FOR 10" SLAB U.O.N.
  4. FOR BALANCE OF NOTES SEE DRAWING S-010.

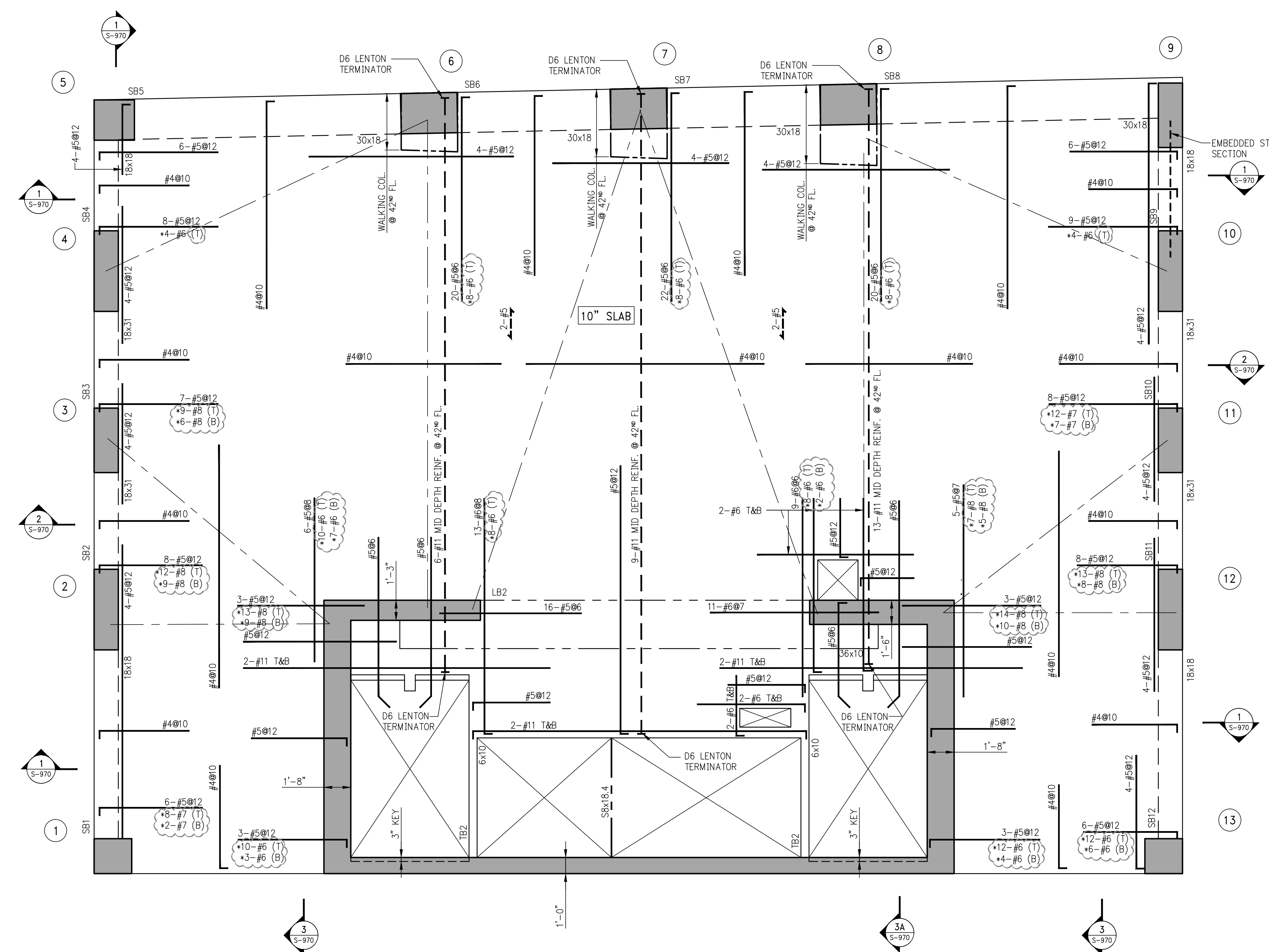
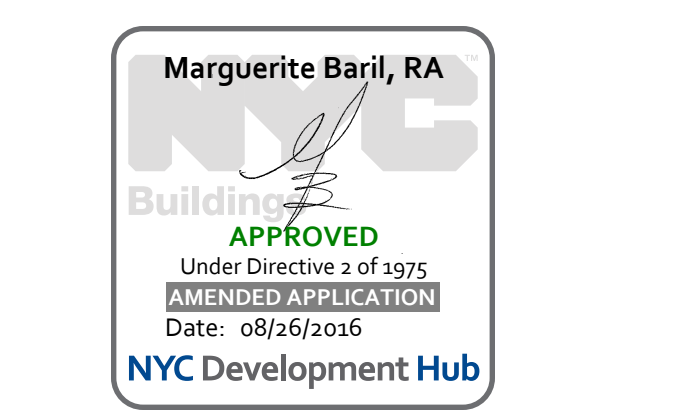
NO.	DATE	DESCRIPTION
05-18-16	ISSUE TO DOB	
02-18-16	REVISED SUPERSTRUCTURE	
02-03-16	REVISED SUPERSTRUCTURE	
11-17-15	REVISED SUPERSTRUCTURE FOR BID	
09-15-15	ADDITIONAL FRAMING SET	
08-03-15	ISSUE FOR SUPERSTRUCTURE BID	



PROJECT:  
138 EAST 50TH STREET  
NEW YORK, N.Y.

DRAWING TITLE:  
32ND FLOOR  
FRAMING PLAN

SEAL & SIGNATURE: [Signature] DATE: 05/14/2015  
PROJECT No.: 1990031  
DRAWN BY: CASO  
CHECKED BY: CS  
DWG. No.: S-320.00  
SHEET No.: 0 of 0



1 33<sup>RD</sup> - 42<sup>ND</sup> FLOOR FRAMING PLAN  
SCALE: 1/4" = 1'-0"

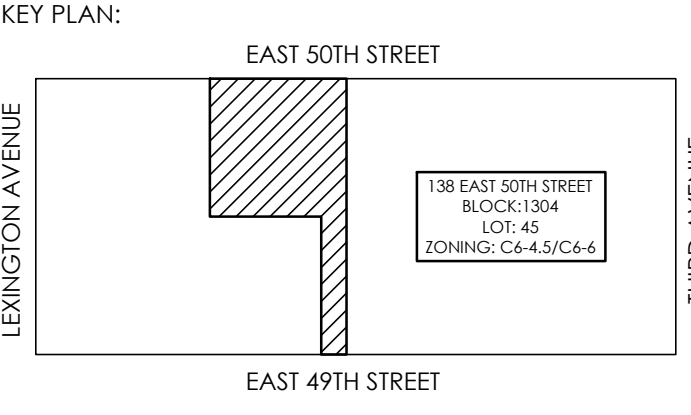
- NOTES:
- TOP OF SLAB ELEVATION TO BE AS FOLLOWS:
 

457'-2"	@ 33 <sup>RD</sup> FLOOR	U.O.N. THUS [ ] ON PLAN (TYP.)
468'-2"	@ 34 <sup>TH</sup> FLOOR	
479'-2"	@ 35 <sup>TH</sup> FLOOR	
490'-2"	@ 36 <sup>TH</sup> FLOOR	
501'-2"	@ 37 <sup>TH</sup> FLOOR	
512'-2"	@ 38 <sup>TH</sup> FLOOR	
523'-2"	@ 39 <sup>TH</sup> FLOOR	
534'-2"	@ 40 <sup>TH</sup> FLOOR	
545'-2"	@ 41 <sup>ST</sup> FLOOR	
556'-2"	@ 42 <sup>ND</sup> FLOOR	
  - SLAB TO BE 10" THICK U.O.N. THUS [ ] ON PLAN.
  - BOTTOM REINFORCEMENT TO BE #4@10 CONT. E.W. FOR 10" SLAB U.O.N.
  - FOR BALANCE OF NOTES SEE DRAWING S-010.

NO.	DATE	DESCRIPTION
05-18-18	ISSUE TO DOB	
02-18-18	REVISED SUPERSTRUCTURE	
02-03-18	REVISED SUPERSTRUCTURE	
11-17-15	REVISED SUPERSTRUCTURE FOR BID	
09-15-15	ADDENDUM 1 PRICING SET	
08-03-15	ISSUE FOR SUPERSTRUCTURE BID	
DATE:	REVISION:	

DOB NUMBER:  
NB#

WORKS:  
SCALE: 1/4" = 1'-0"



PROJECT:  
138 EAST 50TH STREET  
NEW YORK, N.Y.

DRAWING TITLE:  
33RD - 42ND FLOOR  
FRAMING PLAN

SEAL & SIGNATURE:  
DATE: 05/14/2015  
PROJECT No.: 1990031  
DRAWN BY: CASO  
CHECKED BY: CS  
DWG. No.:  
S-330.00  
SHEET No.: of 0

PROJECT:  
138 EAST 50TH ST.  
NEW YORK, NY

OWNER/DEVELOPER:  
CERUZZI PROPERTIES, LLC  
400 PARK AVENUE, 5th FLOOR  
NEW YORK, NY 10022  
TEL: (212) 300-1700

ARCHITECT OF RECORD:  
SLCEArchitects, LLP  
1359 BROADWAY, 14th FLOOR  
NEW YORK, NY 10018  
TEL: (212) 979-8400  
FAX: (212) 979-8387

DESIGN ARCHITECT:  
Pelli Clarke Pelli Architects  
322 EIGHTH AVENUE  
NEW YORK, NY 10001  
TEL: (212) 417-9494  
FAX: (212) 417-9497

STRUCTURAL ENGINEER:  
WSP  
228 East 45th St.  
New York, NY 10017  
(212) 687-9888  
www.wspgroup.com/usa

M.E.P. ENGINEER:  
MGE  
MGE Engineering D.P.C. is an engineer success  
118 West 32nd Street, 12th Floor, New York, NY 10001  
P: (212) 633-0555 F: (212) 633-0550 www.mgepc.net

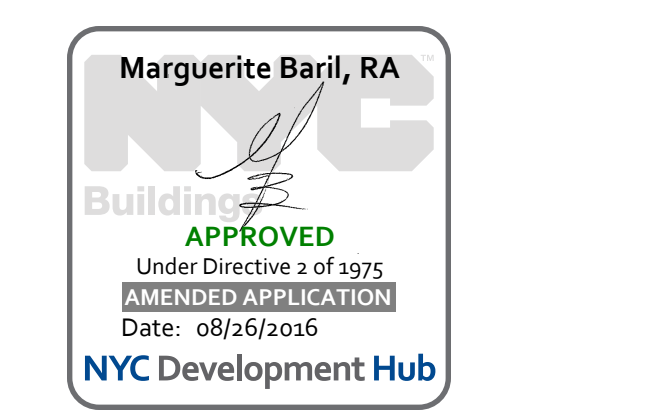
CIVIL ENGINEER:  
Philip Habib & Associates  
102 MADISON AVENUE, 11th FLOOR  
NEW YORK, NY 10016  
TEL: (212) 929-5656  
FAX: (212) 929-5655

DOB EXPEDITOR:  
JAM Consultants, Inc.  
104 WEST 29th STREET, 9th FLOOR  
NEW YORK, NY 10001  
TEL: (212) 244-4427  
FAX: (212) 244-4497

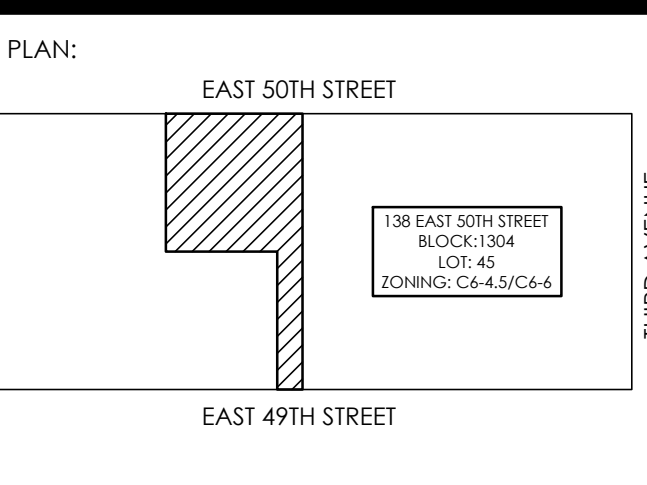
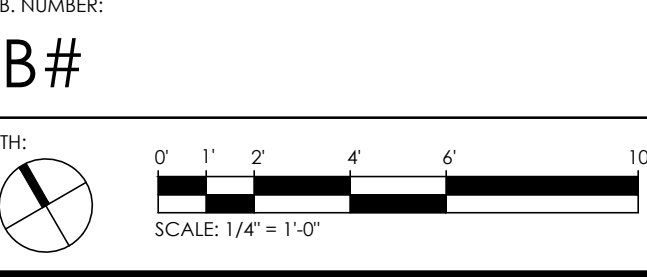
VERTICAL TRANSPORTATION CONSULTANT:  
Jenkins & Huntington, Inc.  
1251 AVENUE OF THE AMERICAS  
NEW YORK, NY 10020  
TEL: (212) 496-1818  
FAX: (212) 696-4526

ZONING CONSULTANT:  
Development Consulting Services  
330 WEST 42ND STREET  
NEW YORK, NY 10018  
TEL: (212) 714-0285  
FAX: (212) 714-0283

EXTERIOR WALL CONSULTANT:  
Vidar's, Incorporated  
340 PARK AVENUE SOUTH, 15th FL.  
NEW YORK, NY 10010  
TEL: (212) 689-3389



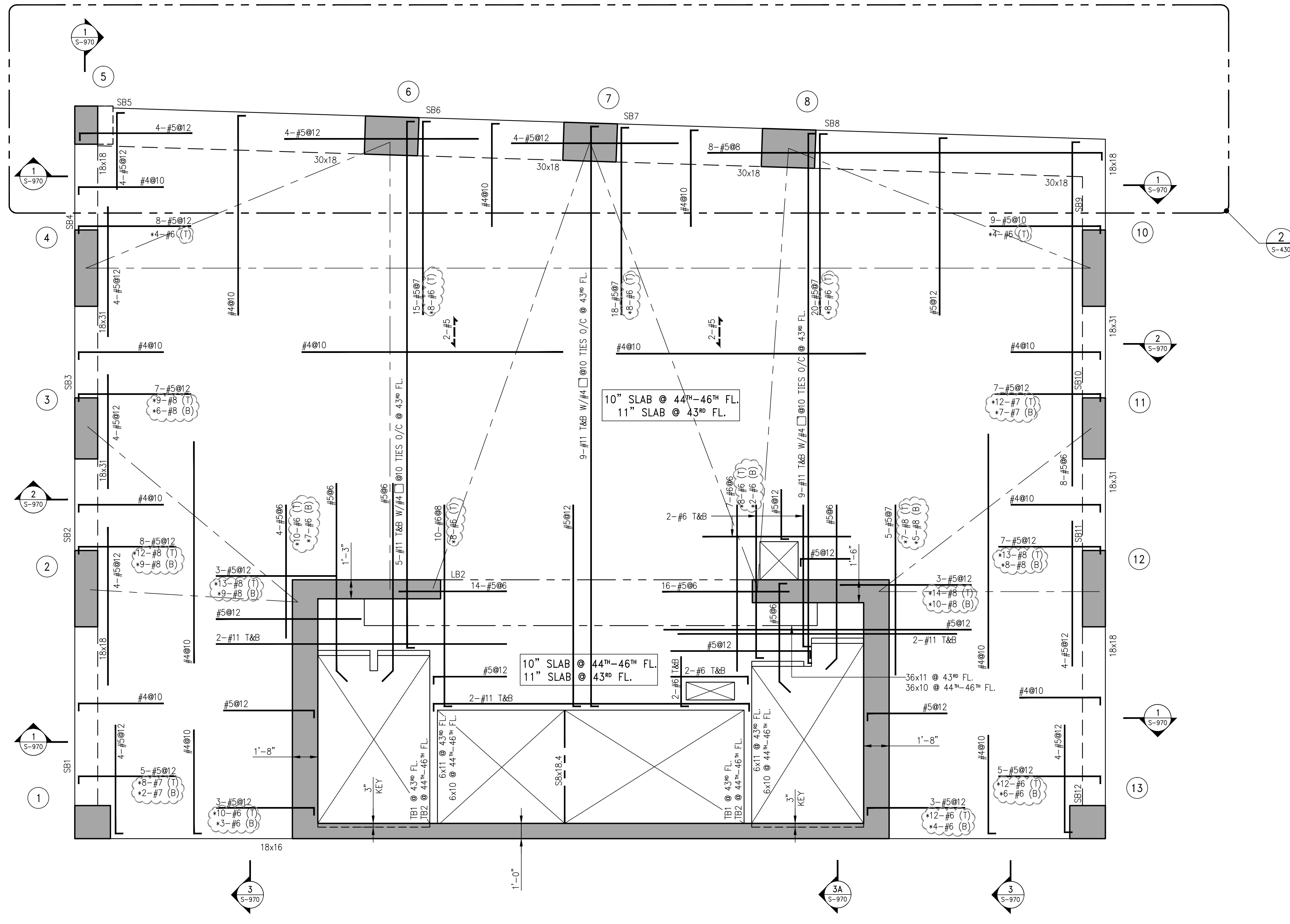
05-18-16	ISSUE TO DOB
02-18-16	REVISED SUPERSTRUCTURE
02-03-16	REVISED SUPERSTRUCTURE
11-17-15	REVISED SUPERSTRUCTURE FOR BID
09-15-15	ADDITIONAL FRAMING SET
08-03-15	ISSUE FOR SUPERSTRUCTURE BID
DATE:	REVISION:



PROJECT:  
138 EAST 50TH STREET  
NEW YORK, N.Y.

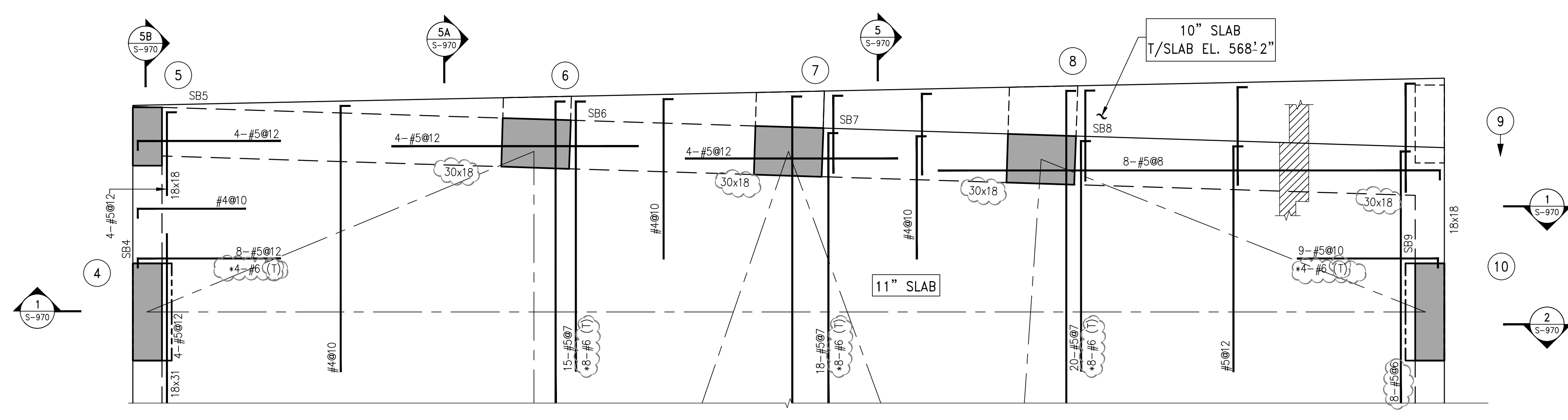
DRAWING TITLE:  
43RD - 46TH FLOOR  
FRAMING PLAN

SEAL & SIGNATURE:  
DATE: 05/14/2015  
PROJECT No.: 1990031  
DRAWN BY: CASO  
CHECKED BY: CS  
DWG. No.: S-430.00  
SHEET No.: 0 of 0



1 43<sup>RD</sup> - 46<sup>TH</sup> FLOOR FRAMING PLAN  
SCALE: 1/4" = 1'-0"

- NOTES:
1. TOP OF SLAB ELEVATION TO BE AS FOLLOWS: - 565'-2" @ 43<sup>RD</sup> FLOOR  
579'-2" @ 44<sup>TH</sup> FLOOR  
590'-2" @ 45<sup>TH</sup> FLOOR  
601'-2" @ 46<sup>TH</sup> FLOOR THUS [ ] ON PLAN (TYP.)
  2. SLAB TO BE 10" THICK U.O.N. @ 44"-46" THUS [ ] ON PLAN.  
SLAB TO BE 11" THICK @ 43" FL. U.O.N. THUS [ ] ON PLAN.
  3. BOTTOM REINFORCEMENT TO BE #4@10 CONC. E.W. FOR 10" & 11" SLAB U.O.N.
  4. F<sub>c</sub> TO BE 10,000 psi @ 43<sup>RD</sup> FL.
  5. FOR BALANCE OF NOTES SEE DRAWING S-010.



2 43<sup>RD</sup> FLOOR PART FRAMING PLAN  
SCALE: 1/4" = 1'-0"

PROJECT:  
138 EAST 50TH ST.  
NEW YORK, NY

OWNER/DEVELOPER:  
CERUZZI PROPERTIES, LLC  
400 PARK AVENUE, 5th FLOOR  
NEW YORK, NY 10022  
TEL: (212) 300-1700

ARCHITECT OF RECORD:  
SLCEArchitects, LLP  
1359 BROADWAY, 14th FLOOR  
NEW YORK, NY 10018  
TEL: (212) 979-8400  
FAX: (212) 979-8387

DESIGN ARCHITECT:  
Pelli Clarke Pelli Architects  
322 EIGHTH AVENUE  
NEW YORK, NY 10001  
TEL: (212) 417-9494  
FAX: (212) 417-9497

STRUCTURAL ENGINEER:  
WSP  
228 East 45th St.  
New York, NY 10017  
(212) 687-9888  
www.wspgroup.com/usa

M.E.P. ENGINEER:  
MGE  
MGE Engineering D.P.C., Inc. an engineer success  
115 West 32nd Street, 12th Floor, New York, NY 10001  
P: (212) 633-1000 F: (212) 633-0500 www.mgepc.net

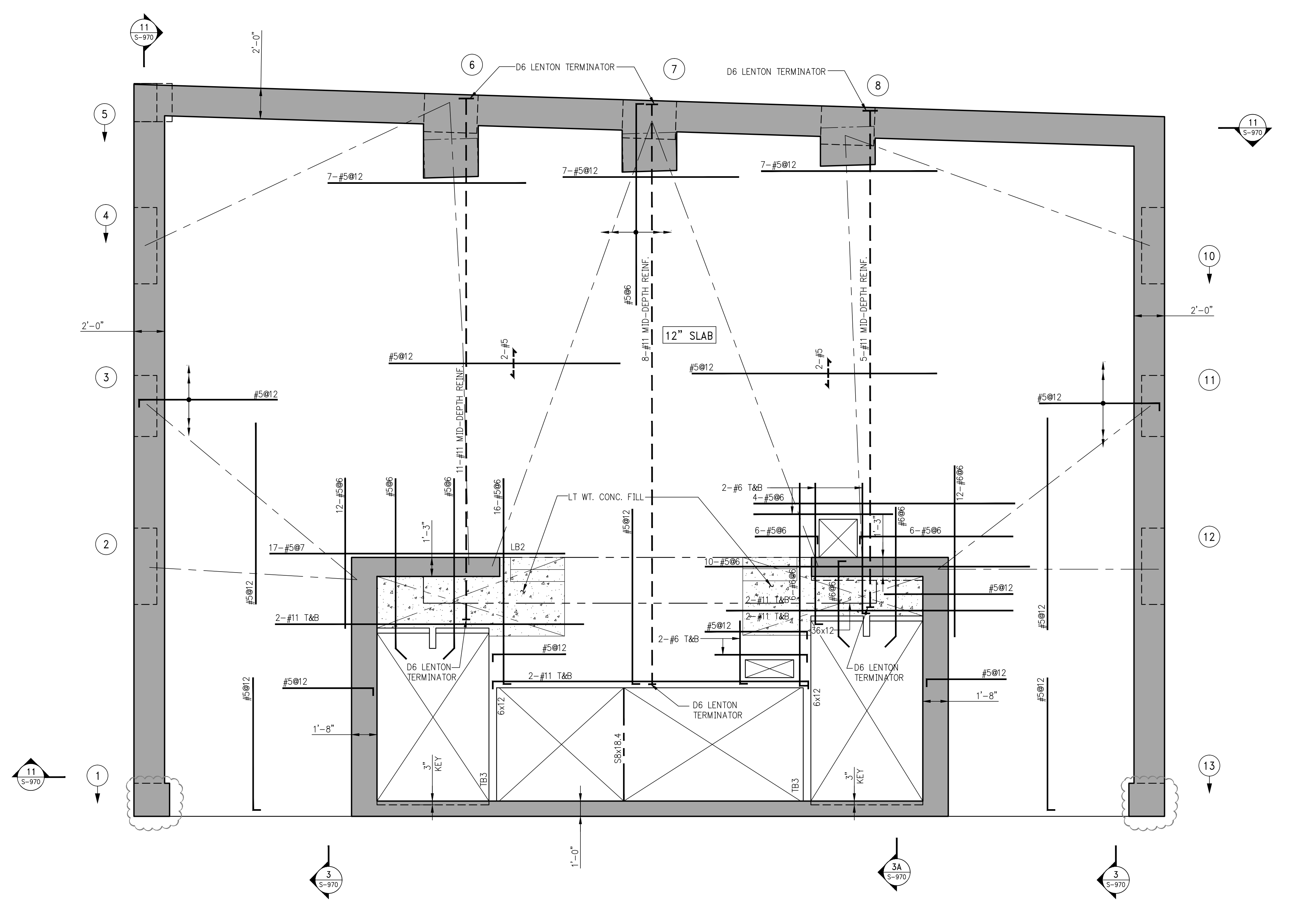
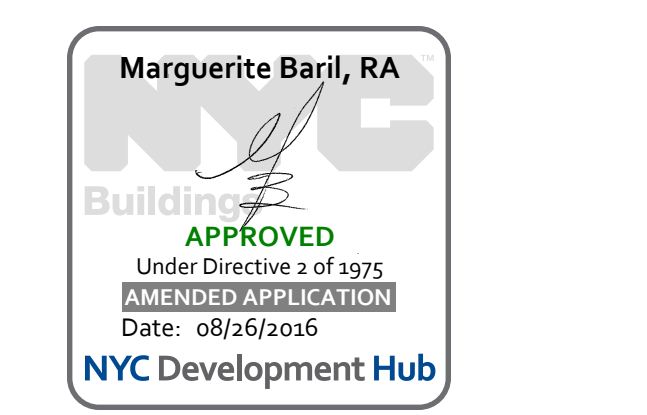
CIVIL ENGINEER:  
Philip Habib & Associates  
102 MADISON AVENUE, 11th FLOOR  
NEW YORK, NEW YORK 10016  
TEL: (212) 929-5656  
FAX: (212) 929-5655

DOB EXPEDITOR:  
JAM Consultants, Inc.  
104 WEST 29th STREET, 9th FLOOR  
NEW YORK, NEW YORK 10001  
TEL: (212) 244-4427  
FAX: (212) 244-4497

VERTICAL TRANSPORTATION CONSULTANT:  
Jenkins & Huntington, Inc.  
1251 AVENUE OF THE AMERICAS  
NEW YORK, NEW YORK 10020  
TEL: (212) 496-1818  
FAX: (212) 696-4528

ZONING CONSULTANT:  
Development Consulting Services  
330 WEST 42ND STREET  
NEW YORK, NEW YORK 10036  
TEL: (212) 714-0285  
FAX: (212) 714-0283

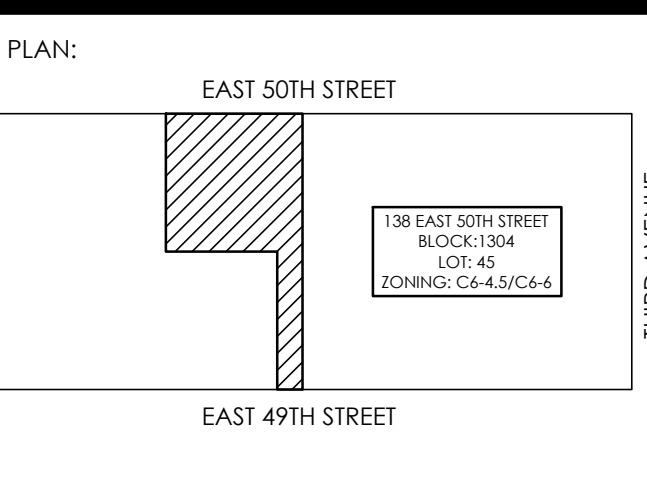
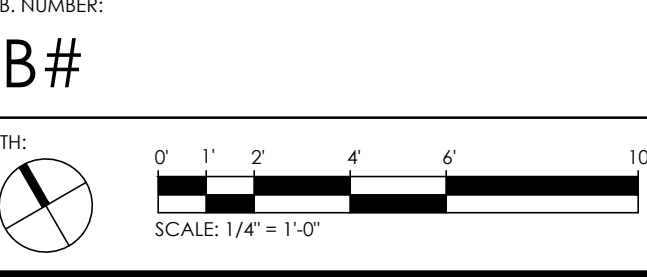
EXTERIOR WALL CONSULTANT:  
Vidaris, Incorporated  
340 PARK AVENUE SOUTH, 15th FL.  
NEW YORK, NEW YORK 10010  
TEL: (212) 689-3389



1 47TH FLOOR FRAMING PLAN  
SCALE: 1/4" = 1'-0"

- NOTES:
- TOP OF SLAB ELEVATION TO BE 6'2"-4" U.O.N. THIS [ ] ON PLAN.
  - SLAB TO BE 12" THICK U.O.N. THIS [ ] ON PLAN.
  - BOTTOM REINFORCEMENT TO BE #5@12 CONT. E.W. FOR 12" SLAB U.O.N.
  - FOR BALANCE OF NOTES SEE DRAWING S-470.

NO.	DATE	REVISION
05-18-15	05/18/15	ISSUE TO DOB
02-18-15	02/18/15	REVISED SUPERSTRUCTURE
02-03-15	02/03/15	REVISED SUPERSTRUCTURE
11-17-15	11/17/15	REVISED SUPERSTRUCTURE FOR BID
09-21-15	09/21/15	ADDITIONAL FRAMING SET
08-03-15	08/03/15	ISSUE FOR SUPERSTRUCTURE BID



PROJECT:  
138 EAST 50TH STREET  
NEW YORK, N.Y.

DRAWING TITLE:  
47TH FLOOR  
FRAMING PLAN

SEAL & SIGNATURE: [Signature] DATE: 05/14/2015  
PROJECT No.: 1590031  
DRAWN BY: CASO  
CHECKED BY: CS  
DWG. No.: S-470.00  
SHEET No.: 0 of 0



PROJECT:  
138 EAST 50TH ST.  
NEW YORK, NY

OWNER/DEVELOPER:  
CERUZZI PROPERTIES, LLC  
400 PARK AVENUE, 5th FLOOR  
NEW YORK, NY 10022  
TEL: (212) 300-1700

ARCHITECT OF RECORD:  
SLCEArchitects, LLP  
1359 BROADWAY, 14th FLOOR  
NEW YORK, NY 10018  
TEL: (212) 979-8400  
FAX: (212) 979-8387

DESIGN ARCHITECT:  
Pelli Clarke Pelli Architects  
322 EIGHTH AVENUE  
NEW YORK, NY 10001  
TEL: (212) 417-9494  
FAX: (212) 417-9497

STRUCTURAL ENGINEER:  
WSP  
228 East 45th St.  
New York, NY 10017  
(212) 687-9888  
www.wspgroup.com/usa

M.E.P. ENGINEER:  
MGE  
MGE Engineering D.P.C. is an engineer success  
118 West 32nd Street, 12th Floor, New York, NY 10001  
P: (212) 633-0555 F: (212) 633-0550 www.mgepc.net

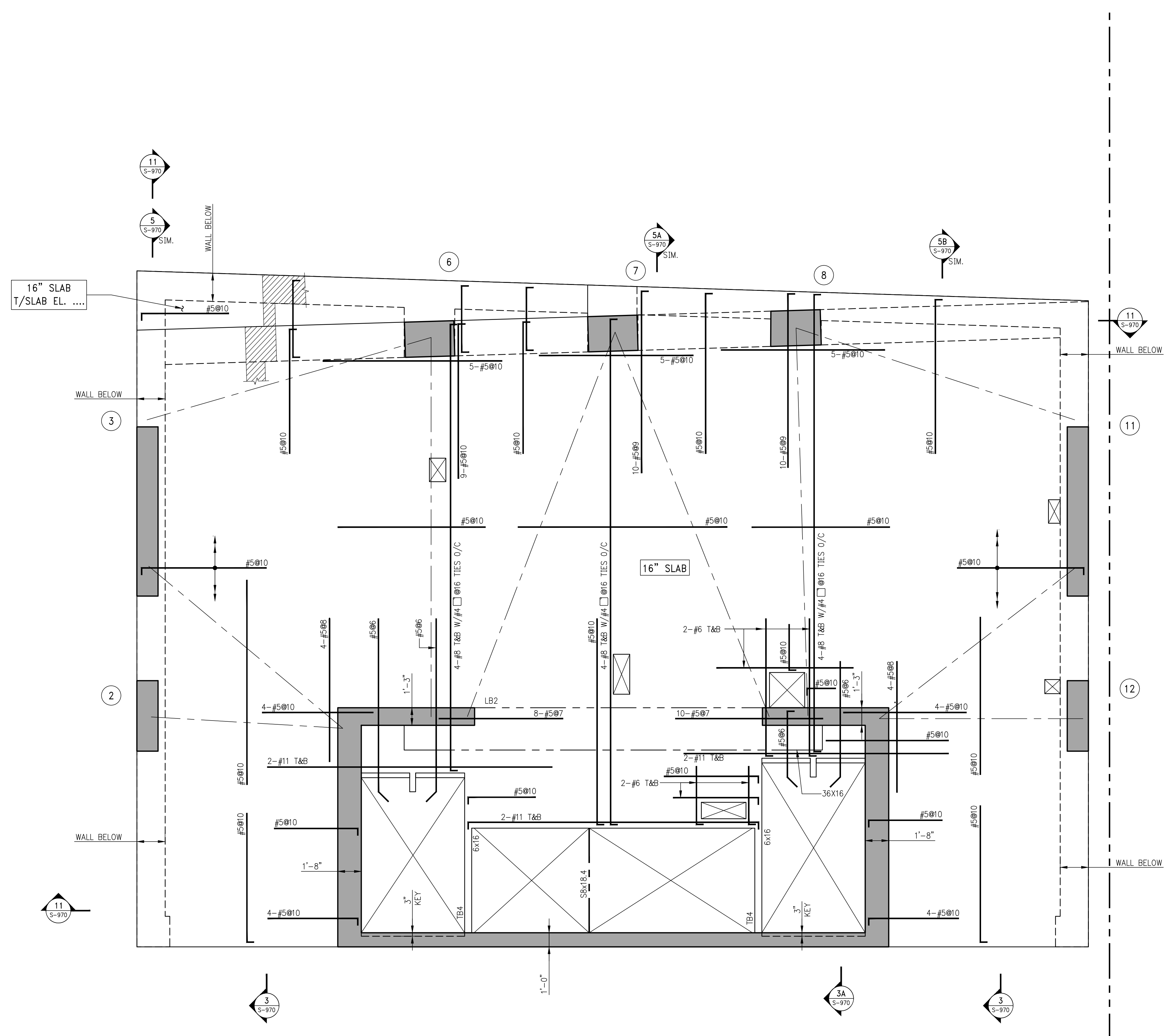
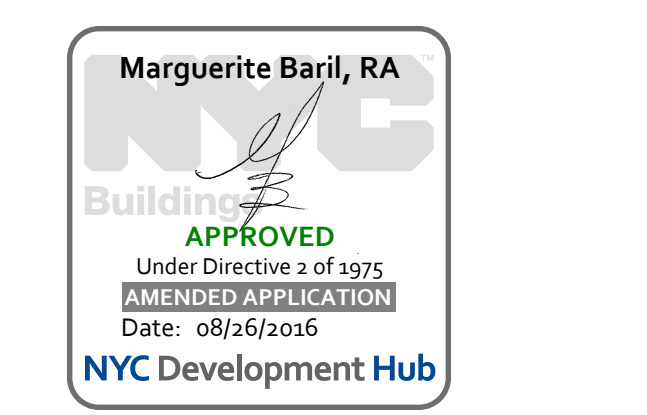
CIVIL ENGINEER:  
Philip Habib & Associates  
102 MADISON AVENUE, 11TH FLOOR  
NEW YORK, NEW YORK 10016  
TEL: (212) 929-5656  
FAX: (212) 929-5655

DOB EXPEDITOR:  
JAM Consultants, Inc.  
104 WEST 29th STREET, 9th FLOOR  
NEW YORK, NEW YORK 10001  
TEL: (212) 244-4427  
FAX: (212) 244-4497

VERTICAL TRANSPORTATION CONSULTANT:  
Jenkins & Huntington, Inc.  
1251 AVENUE OF THE AMERICAS  
NEW YORK, NEW YORK 10020  
TEL: (212) 496-1818  
FAX: (212) 696-4528

ZONING CONSULTANT:  
Development Consulting Services  
330 WEST 42ND STREET  
NEW YORK, NEW YORK 10036  
TEL: (212) 714-0285  
FAX: (212) 714-0283

INTERIOR WALL CONSULTANT:  
Vidaris, Incorporated  
340 PARK AVENUE SOUTH, 15th FL.  
NEW YORK, NEW YORK 10010  
TEL: (212) 689-3389

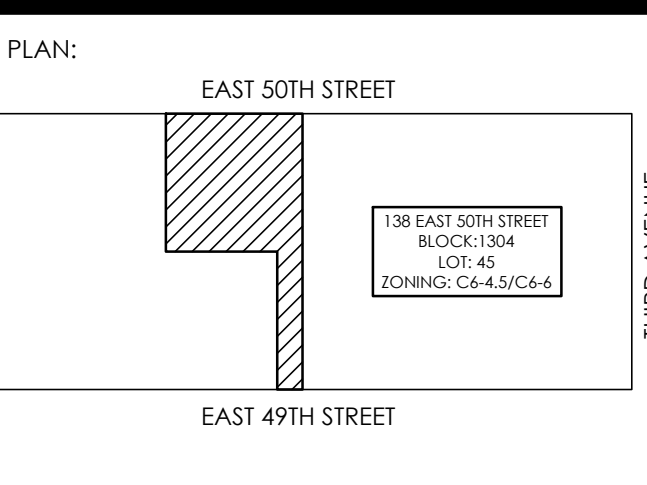
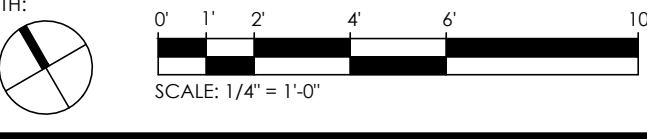


1 48TH FLOOR FRAMING PLAN  
S-480  
SCALE: 1/4" = 1'-0"

- NOTES:
1. TOP OF SLAB ELEVATION TO BE 626'-2" U.O.N. THIS [ ] ON PLAN.
  2. SLAB TO BE 16" THICK U.O.N. THIS [ ] ON PLAN.
  3. BOTTOM REINFORCEMENT TO BE #5@10 CONT. E.W. FOR 16" SLAB U.O.N.
  4. FOR BALANCE OF NOTES SEE DRAWING S-010.

NO.	DATE	REVISION
05-18-15	ISSUE TO DOB	
02-10-15	REVISED SUPERSTRUCTURE	
02-03-15	REVISED SUPERSTRUCTURE	
11-17-15	REVISED SUPERSTRUCTURE FOR BID	
09-21-15	ADDITIONAL FRAMING SET	
08-03-15	ISSUE FOR SUPERSTRUCTURE BID	

DOB NUMBER:  
NB#



PROJECT:  
138 EAST 50TH STREET  
NEW YORK, N.Y.

DRAWING TITLE:  
48TH FLOOR  
FRAMING PLAN

SEAL & SIGNATURE:  
DATE: 05/14/2015  
PROJECT No.: 1590031  
DRAWN BY: CASO  
CHECKED BY: CS  
DWG. No.:  
S-480.00  
SHEET No.: of 0

138 EAST 50TH ST.  
NEW YORK, NY

OWNER/DEVELOPER:  
**CERUZZI PROPERTIES, LLC**  
400 PARK AVENUE, 5th FLOOR  
NEW YORK, NY 10022  
TEL: (212) 300-1700

ARCHITECT OF RECORD:  
**SLCEArchitects, LLP**  
1359 BROADWAY, 14th FLOOR  
NEW YORK, NY 10018  
TEL: (212) 979-8400  
FAX: (212) 979-8387

DESIGN ARCHITECT:  
**Pelli Clarke Pelli Architects**  
322 EIGHTH AVENUE  
NEW YORK, NY 10001  
TEL: (212) 417-9494  
FAX: (212) 417-9457

STRUCTURAL ENGINEER:  
**WSP**  
228 East 45th St.  
New York, NY 10017  
(212) 687-8888  
www.wspgroup.com/usa

M.E.P. ENGINEER:  
**MGE**  
MGE Engineering D.P.C., Inc. an engineer success  
115 West 32nd Street, 12th Floor, New York, NY 10001  
P: (212) 693-1000 F: (212) 693-0500 www.mgepc.com

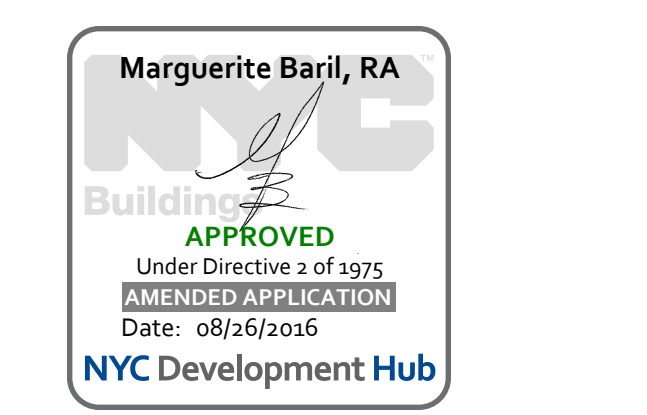
CIVIL ENGINEER:  
**Philip Habis & Associates**  
102 MADISON AVENUE, 11th FLOOR  
NEW YORK, NEW YORK 10016  
TEL: (212) 929-5656  
FAX: (212) 929-5655

DOB EXPEDITOR:  
**JAM Consultants, Inc.**  
104 WEST 29th STREET, 9th FLOOR  
NEW YORK, NEW YORK 10001  
TEL: (212) 244-4427  
FAX: (212) 244-4497

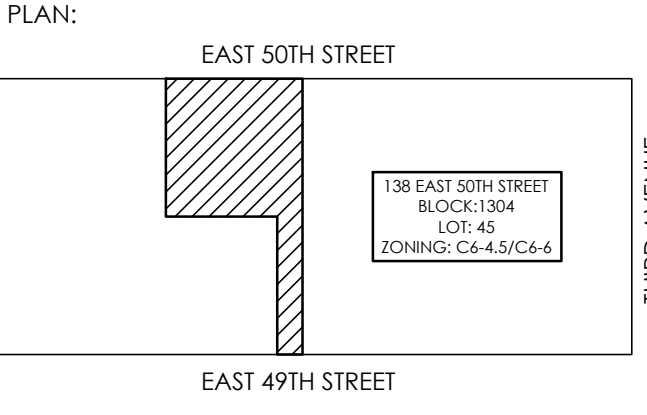
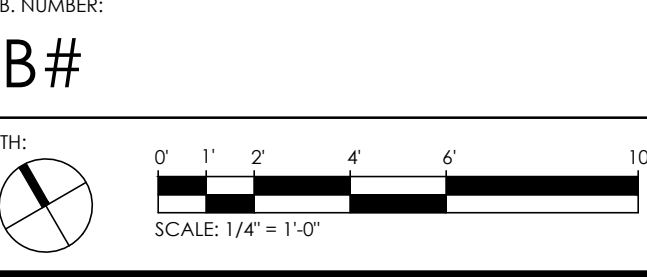
VERTICAL TRANSPORTATION CONSULTANT:  
**Jenkins & Huntington, Inc.**  
1251 AVENUE OF THE AMERICAS  
NEW YORK, NEW YORK 10020  
TEL: (212) 496-1818  
FAX: (212) 696-4528

ZONING CONSULTANT:  
**Development Consulting Services**  
330 WEST 42ND STREET  
NEW YORK, NEW YORK 10036  
TEL: (212) 714-0285  
FAX: (212) 714-0283

EXTERIOR WALL CONSULTANT:  
**Vidaris, Incorporated**  
340 PARK AVENUE SOUTH, 15th FL.  
NEW YORK, NEW YORK 10010  
TEL: (212) 689-3389



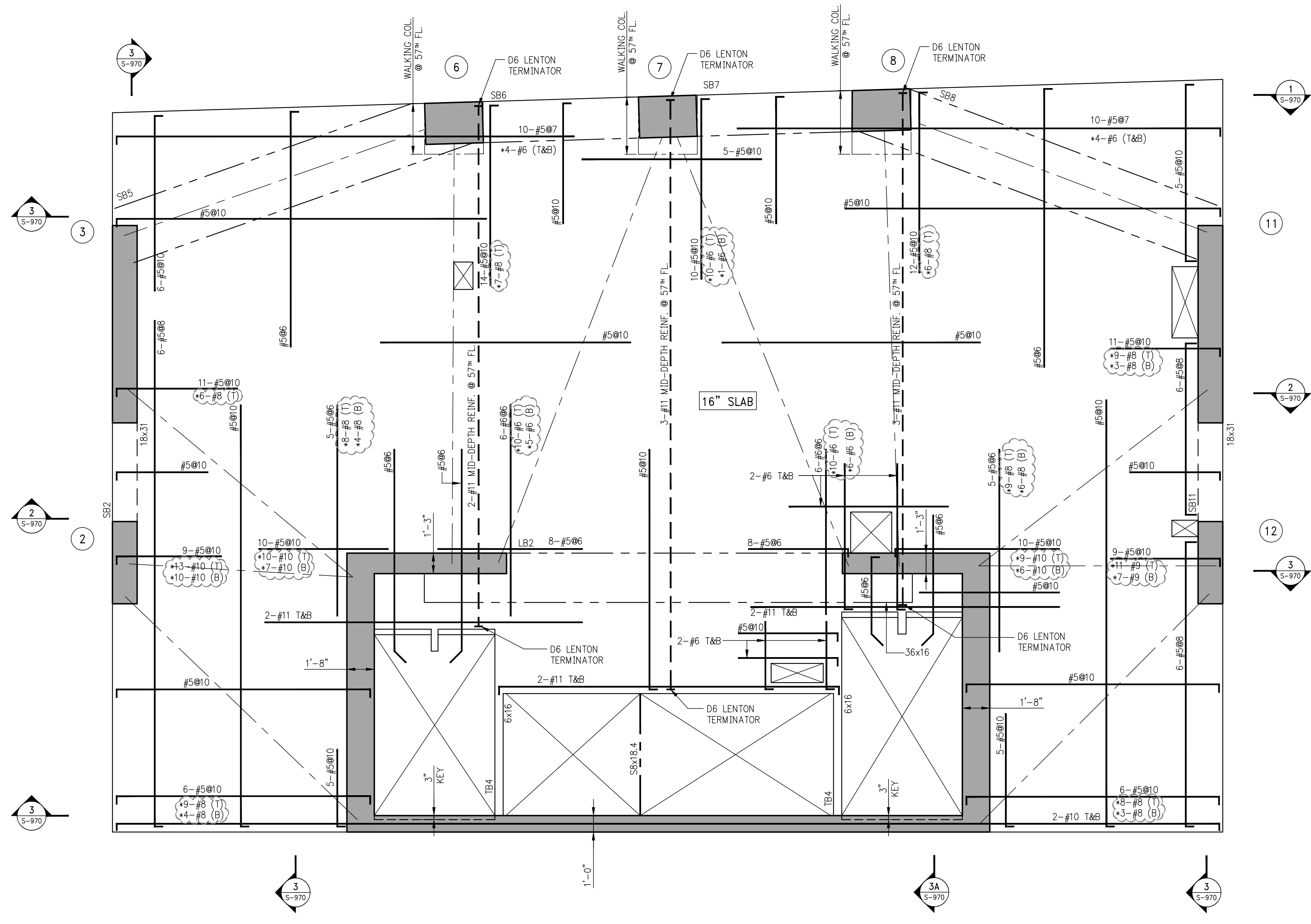
NO.	DATE	DESCRIPTION
05-18-16	ISSUE TO DOB	
02-18-16	REVISED SUPERSTRUCTURE	
02-03-16	REVISED SUPERSTRUCTURE	
11-17-15	REVISED SUPERSTRUCTURE FOR BID	
09-23-15	ADDITIONAL FRAMING SET	
08-03-15	ISSUE FOR SUPERSTRUCTURE BID	



PROJECT:  
**138 EAST 50TH STREET  
NEW YORK, N.Y.**

DRAWING TITLE:  
**49TH - 57TH FLOOR  
FRAMING PLAN**

SEAL & SIGNATURE: [Signature] DATE: 05/14/2015  
PROJECT No.: 1990031  
DRAWN BY: CASO  
CHECKED BY: CS  
DWG. No.:  
**S-490.00**  
SHEET No.: of 0



**1** 49<sup>TH</sup> - 57<sup>TH</sup> FLOOR FRAMING PLAN  
SCALE: 1/4" = 1'-0"

- NOTES:**
- TOP OF SLAB ELEVATION TO BE AS FOLLOWS: 637'-8" @ 49<sup>TH</sup> FLOOR  
649'-2" @ 50<sup>TH</sup> FLOOR  
660'-5" @ 51<sup>TH</sup> FLOOR  
672'-2" @ 52<sup>TH</sup> FLOOR  
683'-8" @ 53<sup>TH</sup> FLOOR  
695'-2" @ 54<sup>TH</sup> FLOOR  
706'-8" @ 55<sup>TH</sup> FLOOR  
718'-2" @ 56<sup>TH</sup> FLOOR  
729'-8" @ 57<sup>TH</sup> FLOOR U.O.N. THIS [ ] ON PLAN (TYP.)
  - SLAB TO BE 16" THICK U.O.N. THIS [ ] ON PLAN.
  - BOTTOM REINFORCEMENT TO BE #5@10 CONT. E.W. FOR 16" SLAB U.O.N.
  - FOR BALANCE OF NOTES SEE DRAWING S-010.



PROJECT:  
138 EAST 50TH ST.  
NEW YORK, NY

OWNER/DEVELOPER:  
CERUZZI PROPERTIES, LLC  
400 PARK AVENUE, 5th FLOOR  
NEW YORK, NY 10022  
TEL: (212) 300-1700

ARCHITECT OF RECORD:  
SLCEArchitects, LLP  
1359 BROADWAY, 14th FLOOR  
NEW YORK, NY 10018  
TEL: (212) 979-8400  
FAX: (212) 979-8387

DESIGN ARCHITECT:  
Pelli Clarke Pelli Architects  
322 EIGHTH AVENUE  
NEW YORK, NY 10001  
TEL: (212) 417-9494  
FAX: (212) 417-9497

STRUCTURAL ENGINEER:  
WSP  
228 East 45th St.  
New York, NY 10017  
(212) 687-9888  
www.wspgroup.com/usa

M.E.P. ENGINEER:  
MGE  
MGE Engineering D.P.C., Inc. an engineer success  
118 West 126th Street, 12th Floor, New York, NY 10011  
P: (212) 651-0555 F: (212) 651-0550 www.mgepc.com

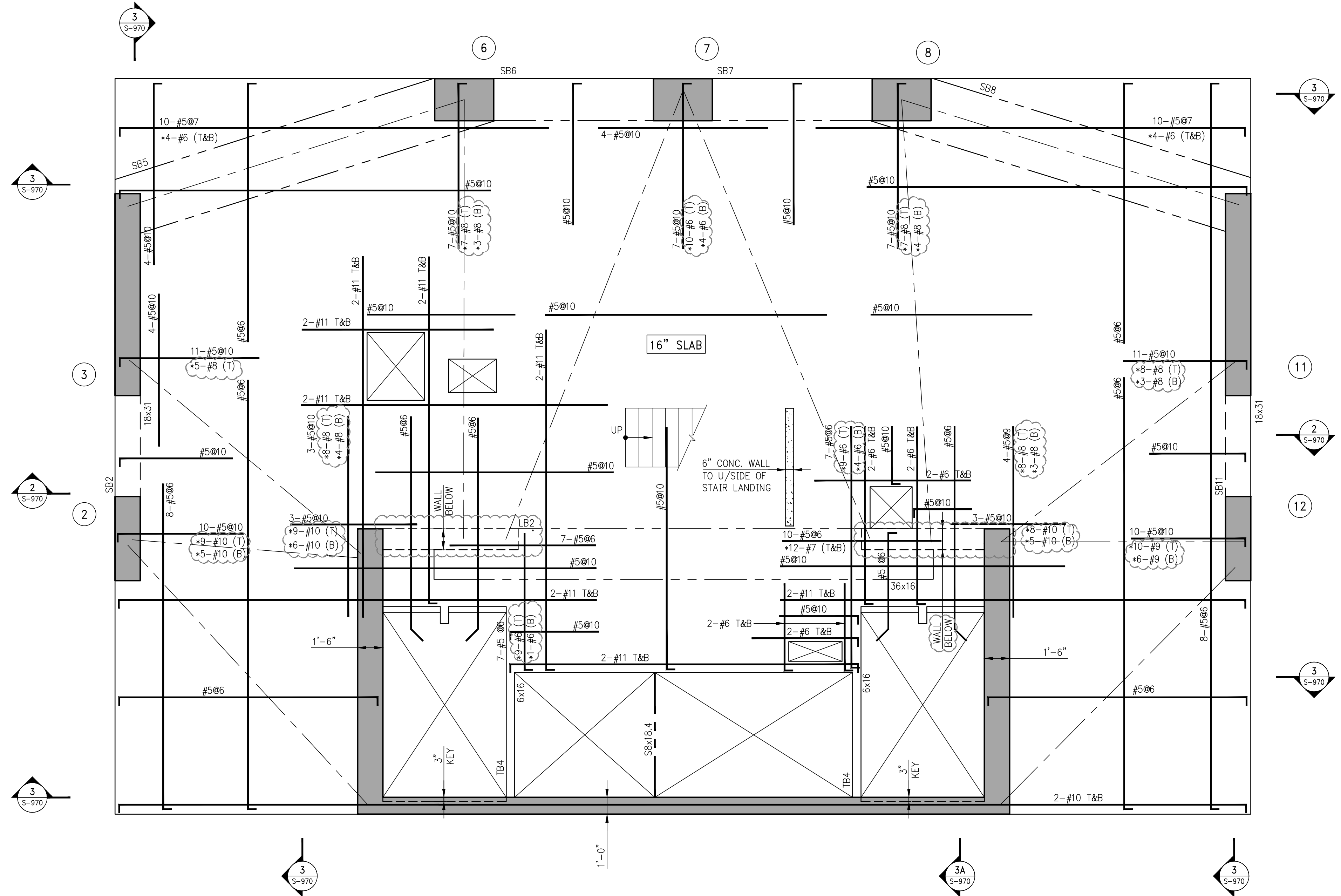
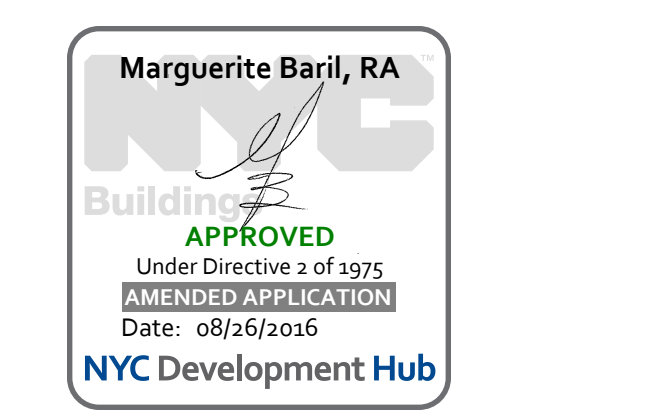
CIVIL ENGINEER:  
Philip Habib & Associates  
102 MADISON AVENUE, 11th FLOOR  
NEW YORK, NEW YORK 10016  
TEL: (212) 929-5656  
FAX: (212) 929-5655

DOB EXPEDITOR:  
JAM Consultants, Inc.  
104 WEST 29th STREET, 9th FLOOR  
NEW YORK, NEW YORK 10001  
TEL: (212) 244-4427  
FAX: (212) 244-4497

VERTICAL TRANSPORTATION CONSULTANT:  
Jenkins & Huntington, Inc.  
1251 AVENUE OF THE AMERICAS  
NEW YORK, NEW YORK 10020  
TEL: (212) 496-1818  
FAX: (212) 696-4528

ZONING CONSULTANT:  
Development Consulting Services  
330 WEST 42ND STREET  
NEW YORK, NEW YORK 10036  
TEL: (212) 714-0285  
FAX: (212) 714-0283

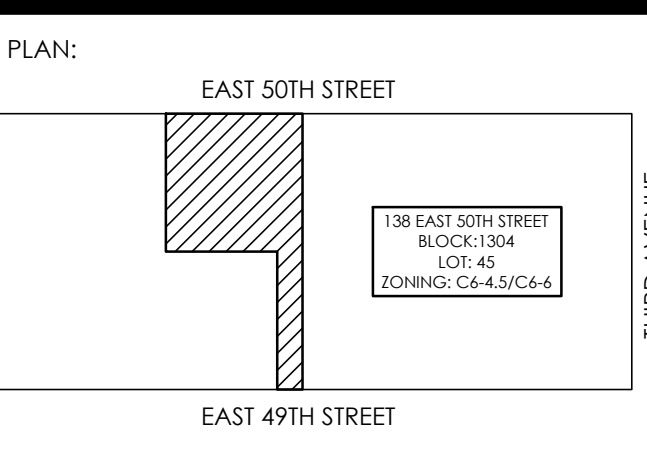
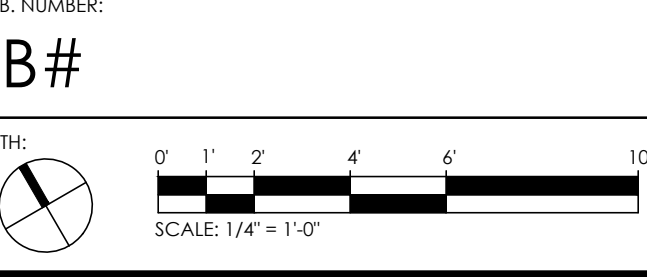
EXTERIOR WALL CONSULTANT:  
Vidaris, Incorporated  
340 PARK AVENUE SOUTH, 15th FL.  
NEW YORK, NEW YORK 10010  
TEL: (212) 689-3389



1 60TH FLOOR FRAMING PLAN  
SCALE: 1/4" = 1'-0"

- NOTES:
1. TOP OF SLAB ELEVATION TO BE 765'-8" THUS [ ] ON PLAN.
  2. SLAB TO BE 16" THICK U.O.N. THUS [ ] ON PLAN.
  3. BOTTOM REINFORCEMENT TO BE #5@10 CONT. E.W. FOR 16" SLAB U.O.N.
  4. FOR BALANCE OF NOTES SEE DRAWING S-010.

NO.	DATE	REVISION
05-18-18	05/18/2018	ISSUE TO DOB
02-10-16	02/10/2016	REVISED SUPERSTRUCTURE
02-03-16	02/03/2016	REVISED SUPERSTRUCTURE
11-17-15	11/17/2015	REVISED SUPERSTRUCTURE FOR BID
09-21-15	09/21/2015	ADDendum 1 FRAMING SET
08-03-15	08/03/2015	ISSUE FOR SUPERSTRUCTURE BID



PROJECT:  
138 EAST 50TH STREET  
NEW YORK, N.Y.

DRAWING TITLE:  
60TH FLOOR  
FRAMING PLAN

SEAL & SIGNATURE: [Signature] DATE: 05/14/2015  
PROJECT No.: 1990031  
DRAWN BY: CASO  
CHECKED BY: CS  
DWG. No.:  
S-600.00  
SHEET No.: of 0

PROJECT:  
138 EAST 50TH ST.  
NEW YORK, NY

OWNER/DEVELOPER:  
CERUZZI PROPERTIES, LLC  
400 PARK AVENUE, 5th FLOOR  
NEW YORK, NY 10022  
TEL: (212) 300-1700

ARCHITECT OF RECORD:  
SLCEArchitects, LLP  
1359 BROADWAY, 14th FLOOR  
NEW YORK, NY 10018  
TEL: (212) 979-8400  
FAX: (212) 979-8387

DESIGN ARCHITECT:  
Pelli Clarke Pelli Architects  
322 EIGHTH AVENUE  
NEW YORK, NY 10001  
TEL: (212) 417-9494  
FAX: (212) 417-9497

STRUCTURAL ENGINEER:  
WSP  
228 East 45th St.  
New York, NY 10017  
(212) 687-9888  
www.wspgroup.com/usa

M.E.P. ENGINEER:  
MGE  
MGE Engineering D.P.C. vs engineer success  
118 West 32nd Street, 12th Floor, New York, NY 10001  
P: (212) 633-0555 F: (212) 633-0550 www.mgepc.com

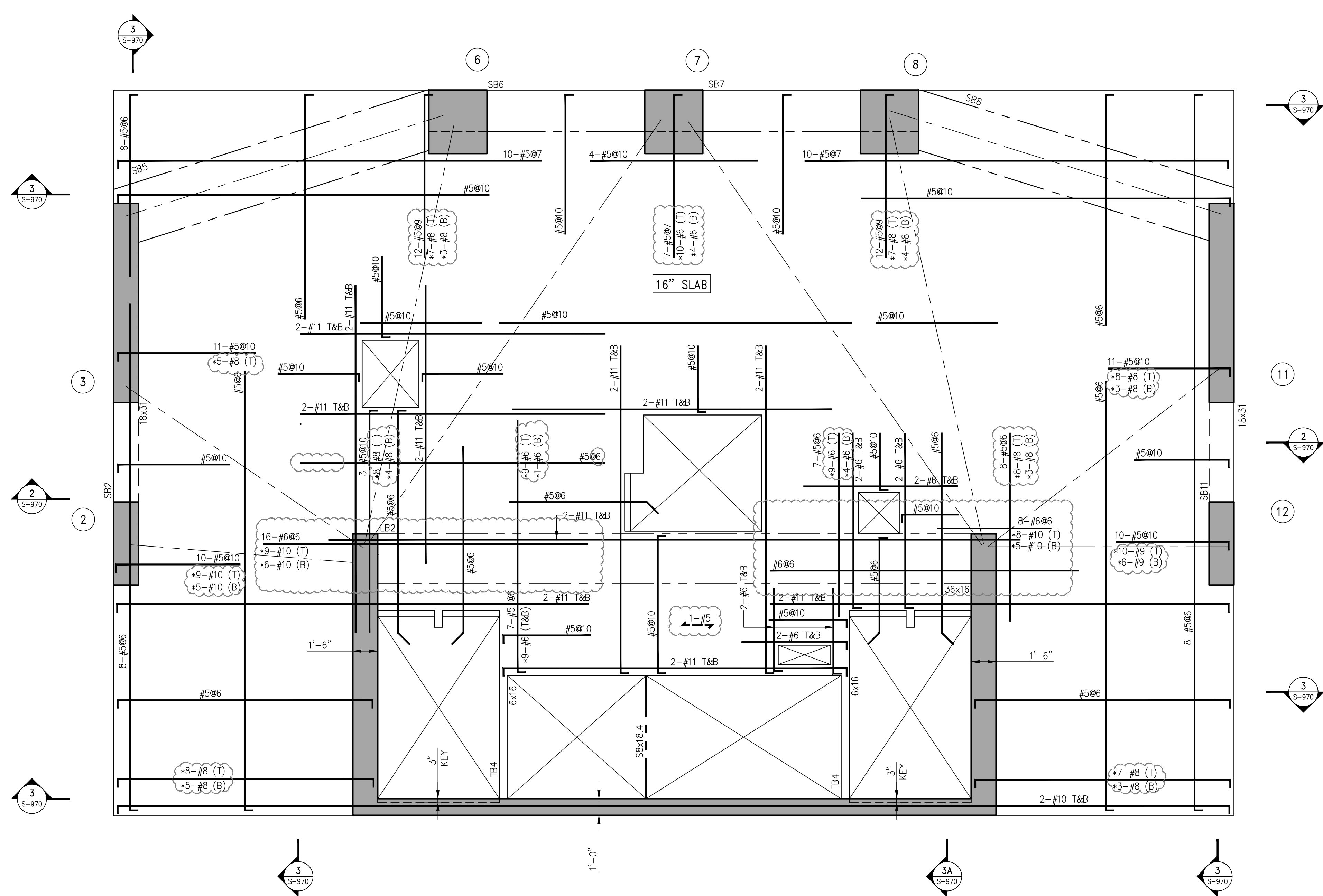
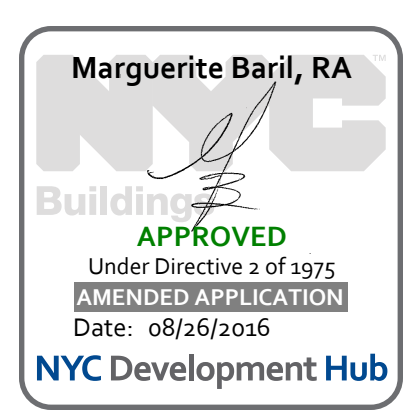
CIVIL ENGINEER:  
Philip Habib & Associates  
102 MADISON AVENUE, 11th FLOOR  
NEW YORK, NEW YORK 10016  
TEL: (212) 929-5656  
FAX: (212) 929-5655

DOB EXPEDITOR:  
JAM Consultants, Inc.  
104 WEST 29th STREET, 9th FLOOR  
NEW YORK, NEW YORK 10001  
TEL: (212) 244-4427  
FAX: (212) 244-4497

VERTICAL TRANSPORTATION CONSULTANT:  
Jenkins & Huntington, Inc.  
1251 AVENUE OF THE AMERICAS  
NEW YORK, NEW YORK 10020  
TEL: (212) 496-1818  
FAX: (212) 696-4526

ZONING CONSULTANT:  
Development Consulting Services  
330 WEST 42ND STREET  
NEW YORK, NEW YORK 10036  
TEL: (212) 714-0285  
FAX: (212) 714-0283

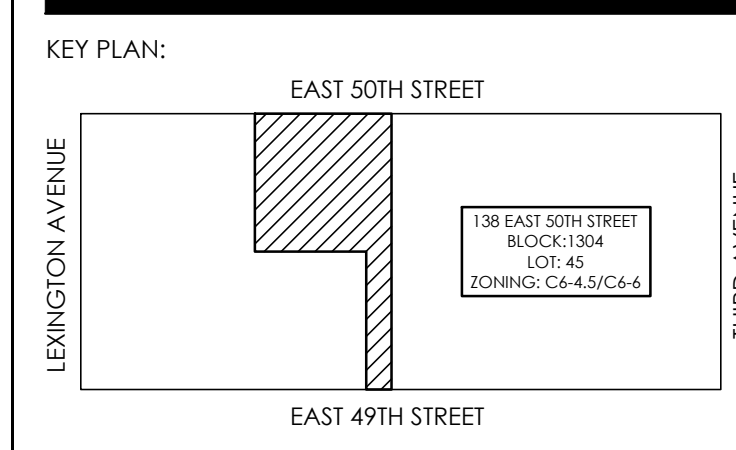
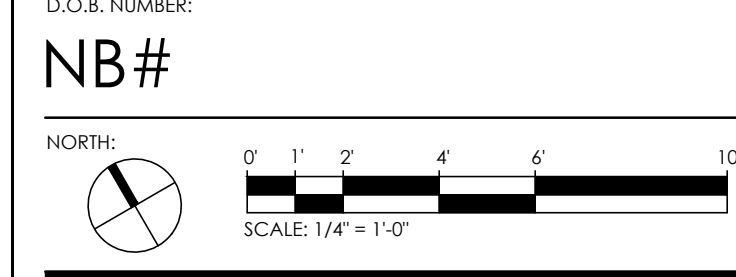
EXTERIOR WALL CONSULTANT:  
Vidaris, Incorporated  
340 PARK AVENUE SOUTH, 15th FL.  
NEW YORK, NEW YORK 10010  
TEL: (212) 689-3389



1 61<sup>ST</sup> FLOOR FRAMING PLAN  
SCALE: 1/4" = 1'-0"

- NOTES:
1. TOP OF SLAB ELEVATION TO BE 779'-2" THUS [ ] ON PLAN.
  2. SLAB TO BE 16" THICK U.O.N. THUS [ ] ON PLAN.
  3. BOTTOM REINFORCEMENT TO BE #8@10 CONT. E.W. FOR 16" SLAB U.O.N.
  4. FOR BALANCE OF NOTES SEE DRAWING S-010.

NO.	DATE	DESCRIPTION
05-18-16	ISSUE TO DOB	
02-18-16	REVISED SUPERSTRUCTURE	
02-03-16	REVISED SUPERSTRUCTURE	
11-17-15	REVISED SUPERSTRUCTURE FOR BID	
09-15-15	ADDENDUM 1 PRICING SET	
08-03-15	ISSUE FOR SUPERSTRUCTURE BID	



PROJECT:  
138 EAST 50TH STREET  
NEW YORK, N.Y.

DRAWING TITLE:  
61<sup>ST</sup> FLOOR  
FRAMING PLAN

SEAL & SIGNATURE: [Signature] DATE: 05/14/2015  
PROJECT No.: 1990031  
DRAWN BY: CASO  
CHECKED BY: CS  
DWG. No.:  
SHEET No.: S-610.00 of 0

PROJECT:  
**138 EAST 50TH ST.**  
**NEW YORK, NY**

OWNER/DEVELOPER:  
**CERUZZI PROPERTIES, LLC**  
 400 PARK AVENUE, 5th FLOOR  
 NEW YORK, NY 10022  
 TEL: (212) 300-1700

ARCHITECT OF RECORD:  
**SLCEArchitects, LLP**  
 1359 BROADWAY, 14th FLOOR  
 NEW YORK, NY 10018  
 TEL: (212) 979-8400  
 FAX: (212) 979-8387

DESIGN ARCHITECT:  
**Pelli Clarke Pelli Architects**  
 322 EIGHTH AVENUE  
 NEW YORK, NY 10001  
 TEL: (212) 417-9494  
 FAX: (212) 417-9497

STRUCTURAL ENGINEER:  
**WSP**  
 228 East 45th St.  
 New York, NY 10017  
 (212) 687-9888  
 www.wspgroup.com/usa

M.E.P. ENGINEER:  
**MGE**  
**MGE Engineering D.P.C.**, an engineer success  
 115 West 32nd Street, 12th Floor, New York, NY 10001  
 P: (212) 633-0555 F: (212) 633-0550 www.mgepc.com

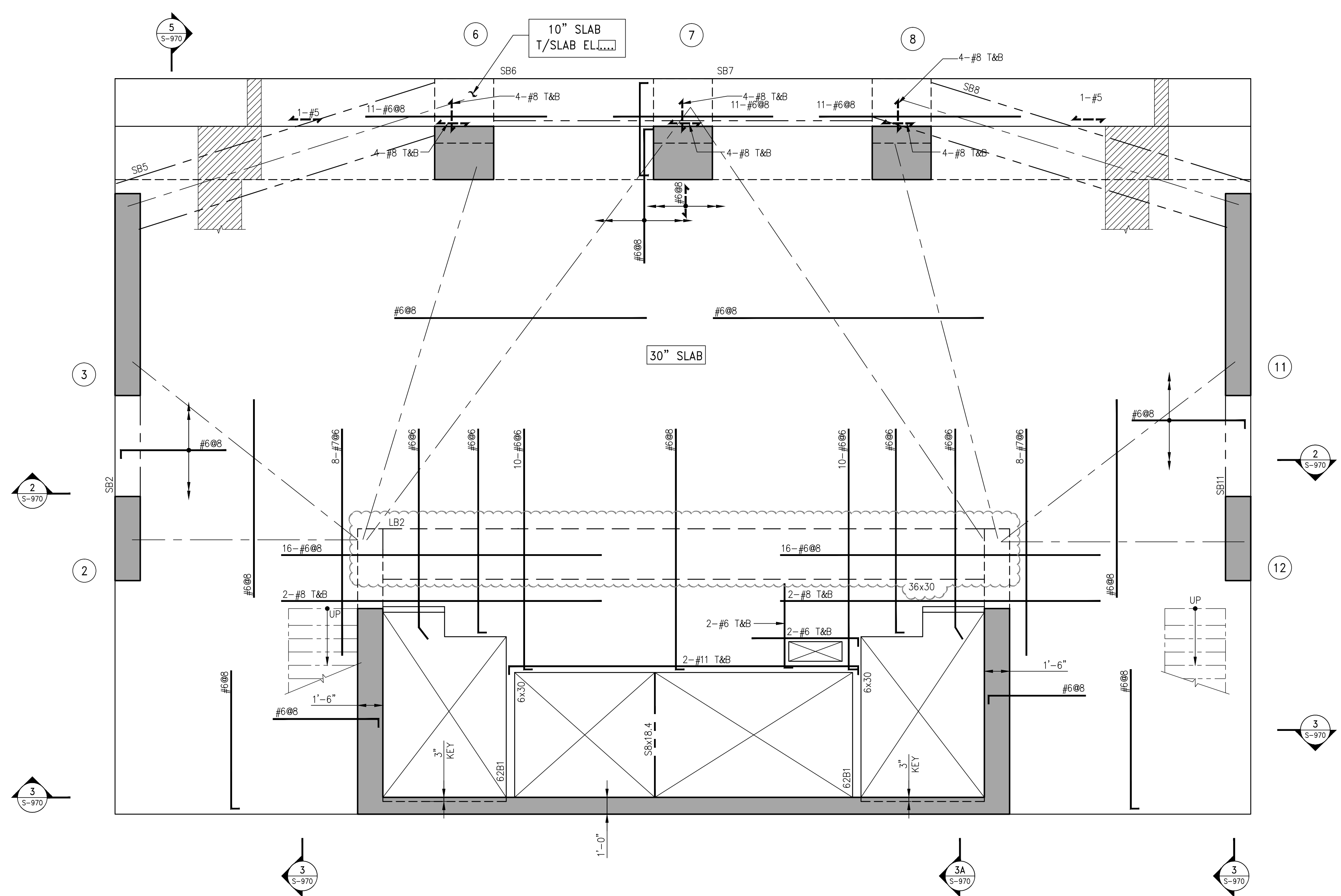
CIVIL ENGINEER:  
**Philip Habib & Associates**  
 102 MADISON AVENUE, 11th FLOOR  
 NEW YORK, NEW YORK 10016  
 TEL: (212) 929-5656  
 FAX: (212) 929-5655

DOB EXPEDITOR:  
**JAM Consultants, Inc.**  
 104 WEST 29th STREET, 9th FLOOR  
 NEW YORK, NEW YORK 10001  
 TEL: (212) 244-4427  
 FAX: (212) 244-4497

VERTICAL TRANSPORTATION CONSULTANT:  
**Jenkins & Huntington, Inc.**  
 1251 AVENUE OF THE AMERICAS  
 NEW YORK, NEW YORK 10020  
 TEL: (212) 696-1818  
 FAX: (212) 696-4528

ZONING CONSULTANT:  
**Development Consulting Services**  
 330 WEST 42ND STREET  
 NEW YORK, NEW YORK 10036  
 TEL: (212) 714-0285  
 FAX: (212) 714-0283

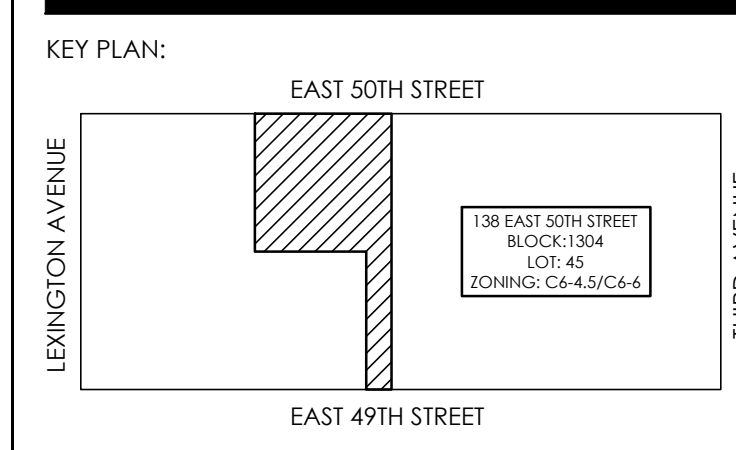
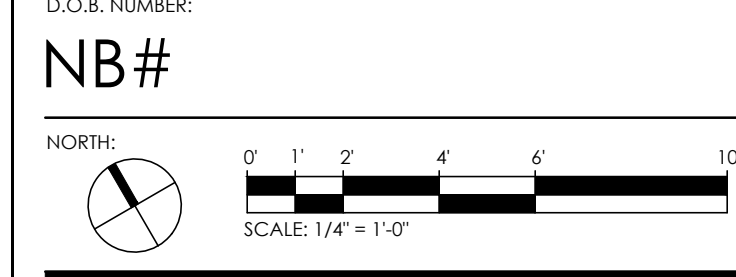
EXTERIOR WALL CONSULTANT:  
**Vidaris, Incorporated**  
 340 PARK AVENUE SOUTH, 15th FL.  
 NEW YORK, NEW YORK 10010  
 TEL: (212) 689-3389



**1 62ND FLOOR FRAMING PLAN**  
 SCALE: 1/4" = 1'-0"

- NOTES:**
1. TOP OF SLAB ELEVATION TO BE 791'-10" THUS [ ] ON PLAN.
  2. SLAB TO BE 30" THICK U.O.N. THUS [ ] ON PLAN.
  3. BOTTOM REINFORCEMENT TO BE #6@8 CONT. E.W. FOR 30" SLAB U.O.N.
  4. FOR BALANCE OF NOTES SEE DRAWING S-010.

NO.	DATE	DESCRIPTION
05-18-15	ISSUE TO DOB	
02-18-15	REVISED SUPERSTRUCTURE	
02-03-15	REVISED SUPERSTRUCTURE	
11-17-14	REVISED SUPERSTRUCTURE FOR BID	
09-23-14	ADDITIONAL 1 FLOOR SET	
08-03-14	ISSUE FOR SUPERSTRUCTURE BID	



PROJECT:  
**138 EAST 50TH STREET**  
**NEW YORK, N.Y.**

DRAWING TITLE:  
**62ND FLOOR**  
**FRAMING PLAN**

SEAL & SIGNATURE: DATE: 05/14/2015  
 PROJECT No.: 1590031  
 DRAWN BY: CASO  
 CHECKED BY: CS  
 DWG. No.: **S-620.00**  
 SHEET No.: of 0

PROJECT:  
138 EAST 50TH ST.  
NEW YORK, NY

OWNER/DEVELOPER:  
CERUZZI PROPERTIES, LLC  
400 PARK AVENUE, 5th FLOOR  
NEW YORK, NY 10022  
TEL: (212) 300-1700

ARCHITECT OF RECORD:  
SLCEArchitects, LLP  
1359 BROADWAY, 14th FLOOR  
NEW YORK, NY 10018  
TEL: (212) 979-8400  
FAX: (212) 979-8387

DESIGN ARCHITECT:  
Pelli Clarke Pelli Architects  
322 EIGHTH AVENUE  
NEW YORK, NY 10001  
TEL: (212) 417-9494  
FAX: (212) 417-9497

STRUCTURAL ENGINEER:  
WSP  
228 East 45th St.  
New York, NY 10017  
(212) 687-9888  
www.wspgroup.com/usa

M.E.P. ENGINEER:  
MGE  
MGE Engineering D.P.C. vs engineer success  
115 West 32nd Street, 12th Floor, New York, NY 10001  
P: (212) 693-1000 F: (212) 693-0500 www.mgepc.net

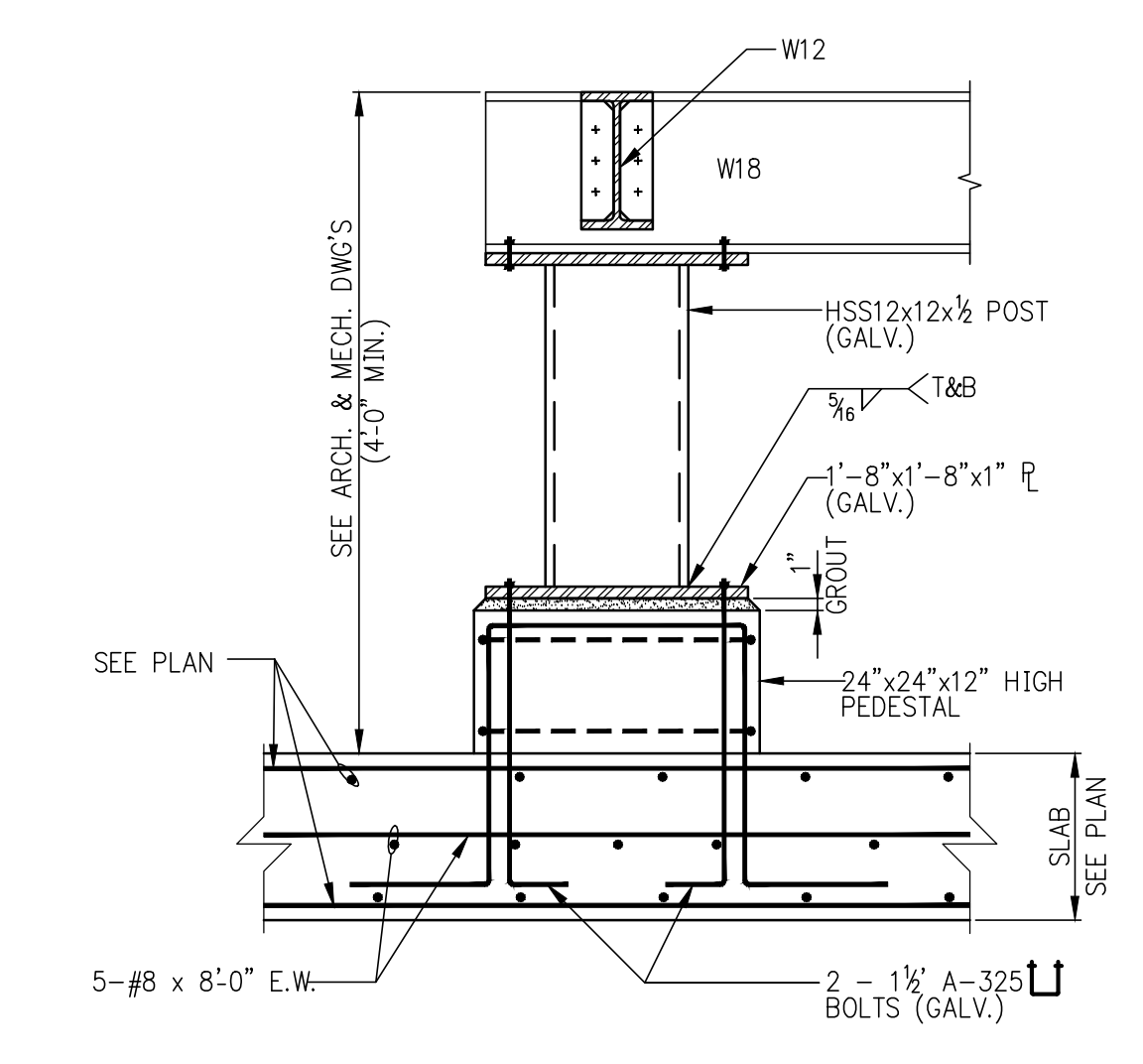
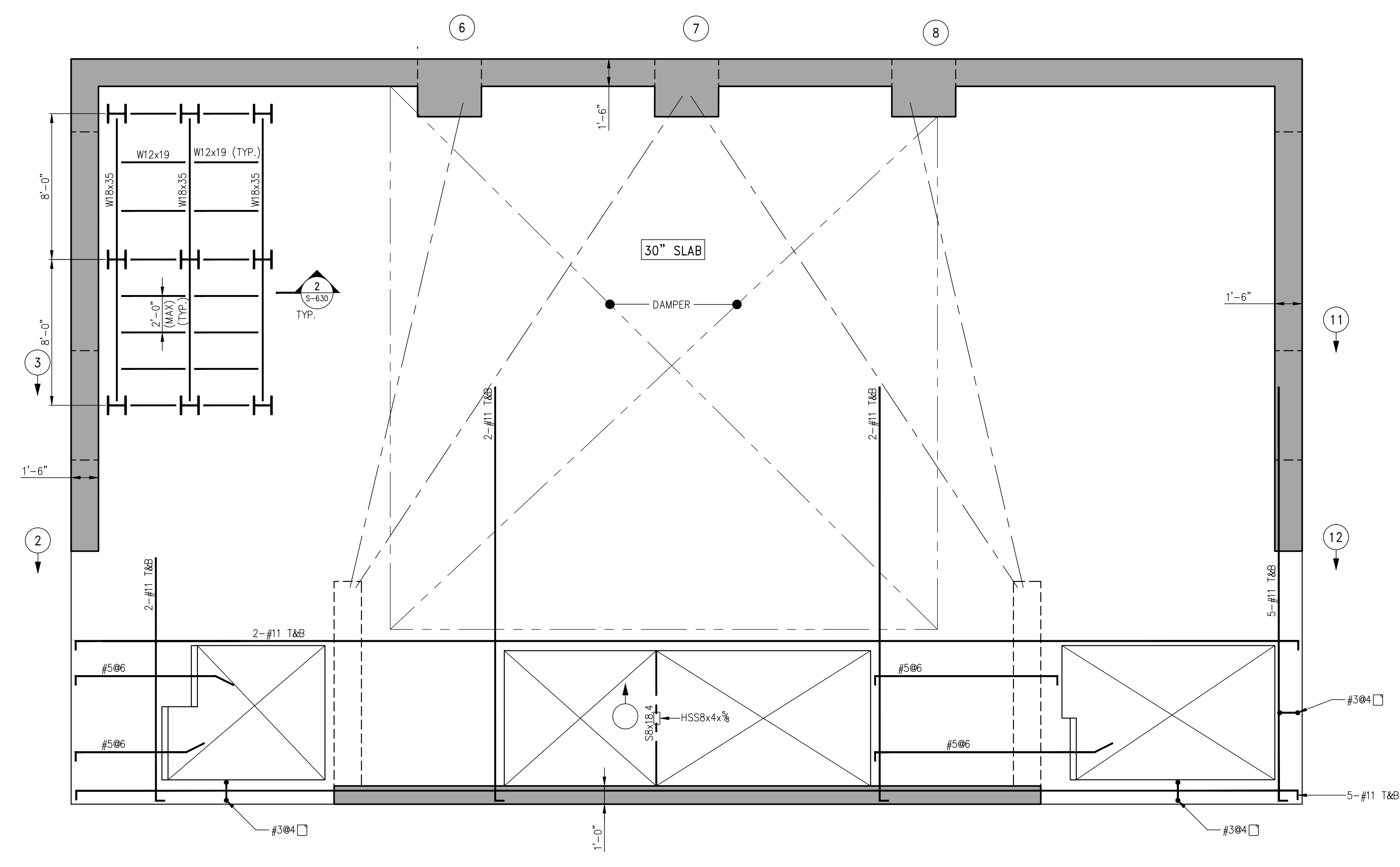
CIVIL ENGINEER:  
Philip Habis & Associates  
102 MADISON AVENUE, 11TH FLOOR  
NEW YORK, NEW YORK 10016  
TEL: (212) 929-5656  
FAX: (212) 929-5655

DOB EXPEDITOR:  
JAM Consultants, Inc.  
104 WEST 29th STREET, 9th FLOOR  
NEW YORK, NEW YORK 10001  
TEL: (212) 244-4427  
FAX: (212) 244-4497

VERTICAL TRANSPORTATION CONSULTANT:  
Jenkins & Huntington, Inc.  
1251 AVENUE OF THE AMERICAS  
NEW YORK, NEW YORK 10020  
TEL: (212) 496-1818  
FAX: (212) 696-4528

ZONING CONSULTANT:  
Development Consulting Services  
330 WEST 42ND STREET  
NEW YORK, NEW YORK 10036  
TEL: (212) 714-0282  
FAX: (212) 714-0283

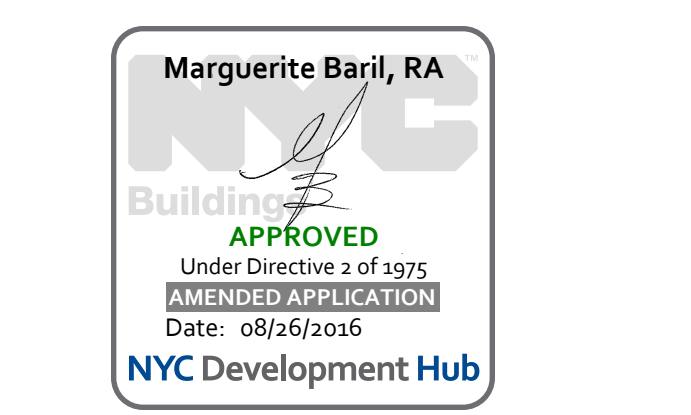
EXTERIOR WALL CONSULTANT:  
Vidaris, Incorporated  
340 PARK AVENUE SOUTH, 15th FL.  
NEW YORK, NEW YORK 10010  
TEL: (212) 689-3389



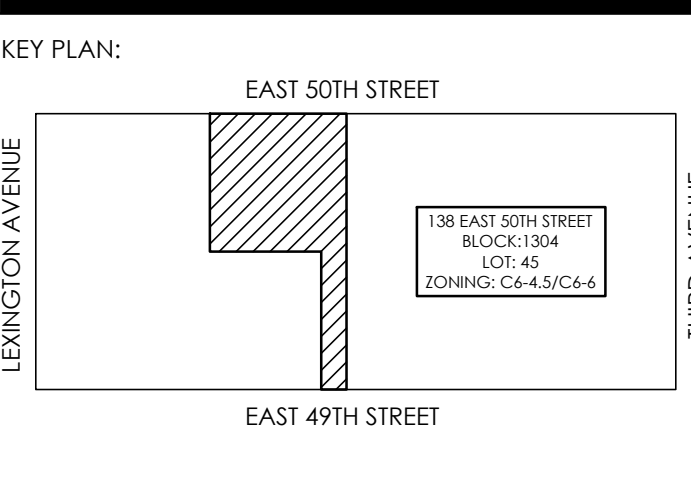
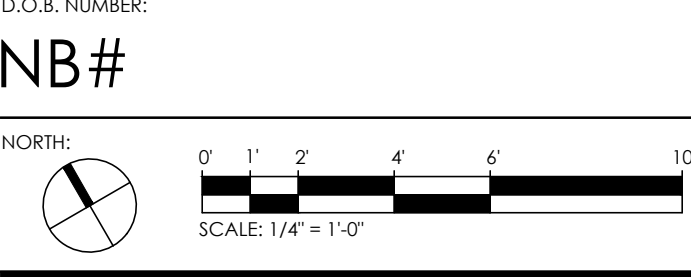
2 PEDESTAL DETAIL  
S-630 SCALE: 1/4"=1'-0"

1 63RD FLOOR FRAMING PLAN  
S-630 SCALE: 1/4"=1'-0"

- NOTES:
1. TOP OF SLAB ELEVATION TO BE 806'-4" THUS [ ] ON PLAN.
  2. SLAB TO BE 30" THICK U.G.N. THUS [ ] ON PLAN.
  3. TOP & BOTTOM REINFORCEMENT TO BE #506 CONT. E.W. FOR 30" SLAB U.G.N.
  4. FOR BALANCE OF NOTES SEE DRAWING S-010.



05-18-18	ISSUE TO DOB
02-18-18	REVISED SUPERSTRUCTURE
02-03-18	REVISED SUPERSTRUCTURE
11-17-15	REVISED SUPERSTRUCTURE FOR BID
09-21-15	ADDENDUM 1 FRAMING SET
08-03-15	ISSUE FOR SUPERSTRUCTURE BID
DATE:	REVISION:



PROJECT:  
138 EAST 50TH STREET  
NEW YORK, N.Y.

DRAWING TITLE:  
63RD FLOOR  
FRAMING PLAN

SEAL & SIGNATURE:  
DATE: 05/14/2015  
PROJECT No.: 1990031  
DRAWN BY: CASO  
CHECKED BY: CS  
DWG. No.:  
S-630.00  
SHEET No.: of 0

138 EAST 50TH ST.  
NEW YORK, NY

OWNER/DEVELOPER:  
**CERUZZI PROPERTIES, LLC**  
400 PARK AVENUE, 5th FLOOR  
NEW YORK, NY 10022  
TEL: (212) 900-1700

ARCHITECT OF RECORD:  
**SLCEArchitects, LLP**  
1359 BROADWAY, 14th FLOOR  
NEW YORK, NY 10018  
TEL: (212) 979-8400  
FAX: (212) 979-8387

DESIGN ARCHITECT:  
**Pelli Clarke Pelli Architects**  
322 EIGHTH AVENUE  
NEW YORK, NY 10001  
TEL: (212) 417-9494  
FAX: (212) 417-9497

STRUCTURAL ENGINEER:  
**WSP**  
228 East 45th St.  
New York, NY 10017  
(212) 687-9888  
www.wspgroup.com/usa

M.E.P. ENGINEER:  
**MGE**  
MGE Engineering D.P.C., an engineer success  
118 West 32nd Street, 12th Floor, New York, NY 10001  
P: (212) 681-0055 F: (212) 681-0050 www.mgegroup.net

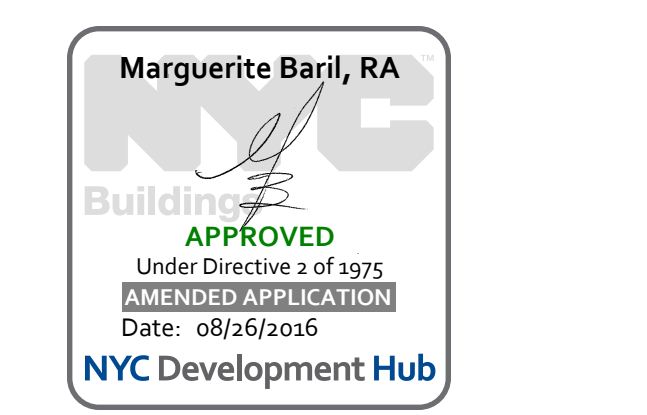
CIVIL ENGINEER:  
**Philip Habis & Associates**  
102 MADISON AVENUE, 11th FLOOR  
NEW YORK, NEW YORK 10016  
TEL: (212) 929-5454  
FAX: (212) 929-5455

DOB EXPEDITOR:  
**JAM Consultants, Inc.**  
104 WEST 29th STREET, 9th FLOOR  
NEW YORK, NEW YORK 10001  
TEL: (212) 244-4427  
FAX: (212) 244-4497

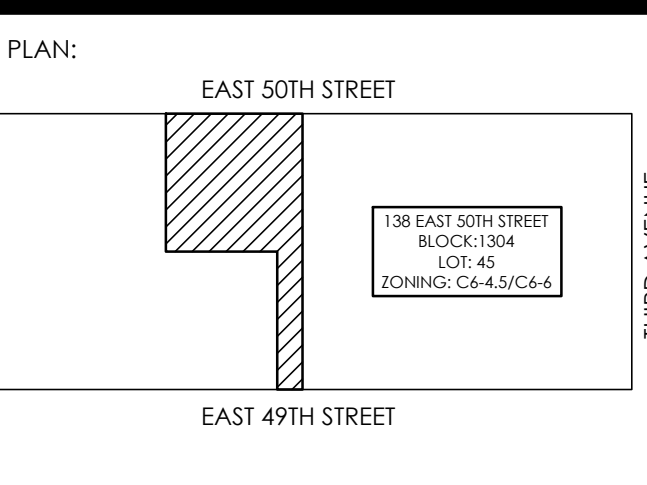
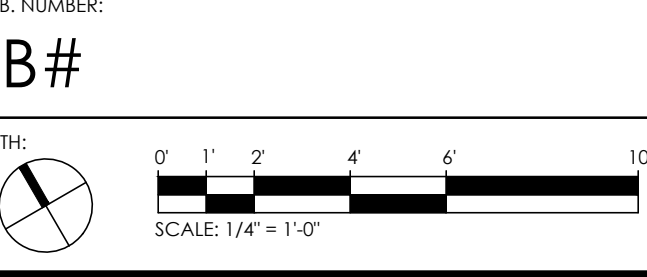
VERTICAL TRANSPORTATION CONSULTANT:  
**Jenkins & Huntington, Inc.**  
1251 AVENUE OF THE AMERICAS  
NEW YORK, NEW YORK 10020  
TEL: (212) 696-1818  
FAX: (212) 696-4528

ZONING CONSULTANT:  
**Development Consulting Services**  
330 WEST 42ND STREET  
NEW YORK, NEW YORK 10036  
TEL: (212) 714-0285  
FAX: (212) 714-0283

EXTERIOR WALL CONSULTANT:  
**Vidaris, Incorporated**  
340 PARK AVENUE SOUTH, 15th FL.  
NEW YORK, NEW YORK 10010  
TEL: (212) 689-3899



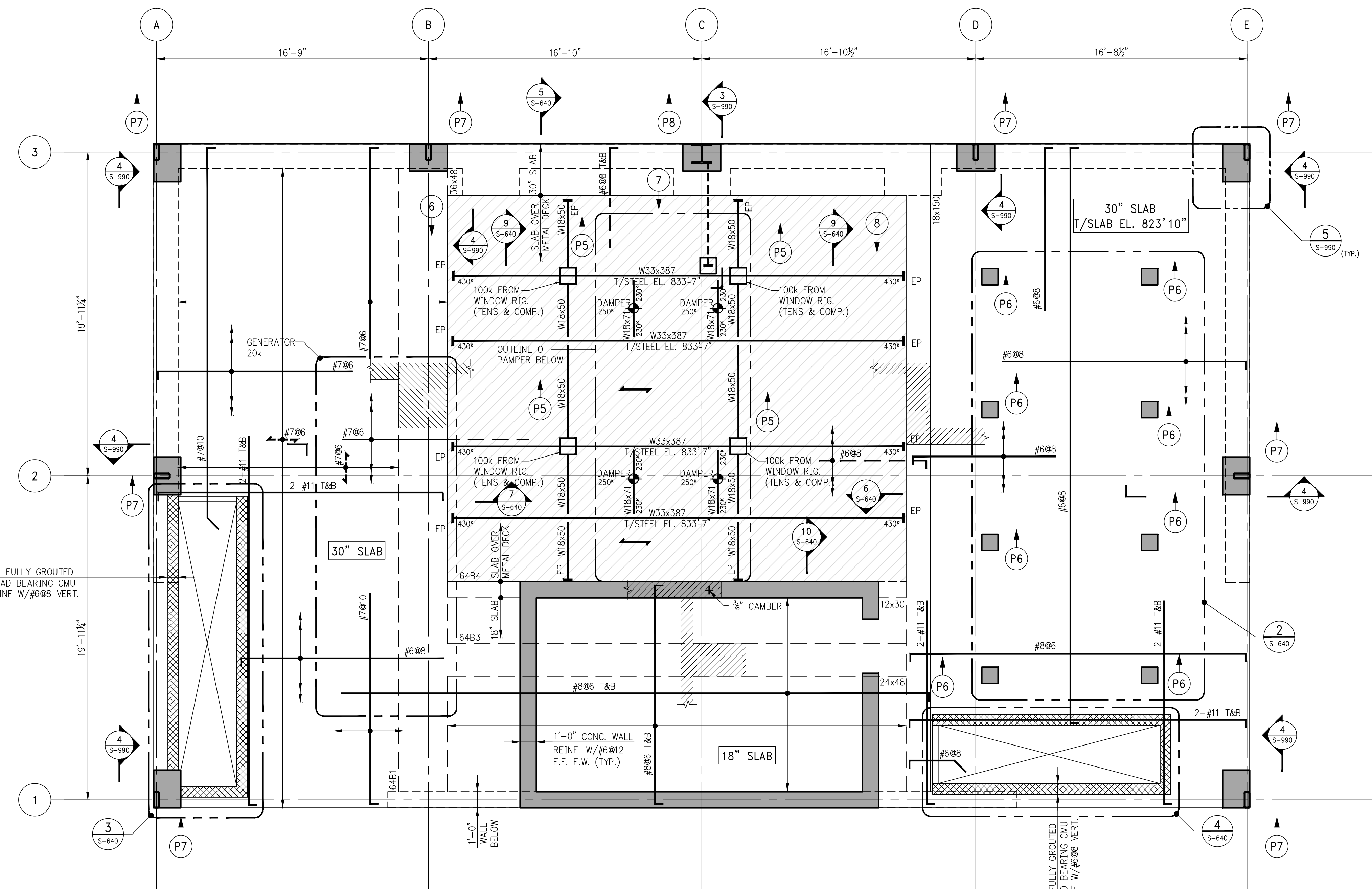
DATE	REVISION
03-18-16	ISSUE TO DOB
02-25-16	REVISED 10th STEEL FRAMING
02-25-16	10th STEEL ALTERNATE
02-10-16	REVISED SUPERSTRUCTURE



PROJECT:  
138 EAST 50TH STREET  
NEW YORK, N.Y.

DRAWING TITLE:  
**ROOF FRAMING PLAN**

SEAL & SIGNATURE: [Signature] DATE: 05/14/2015  
PROJECT No.: 1990031  
DRAWN BY: CASD  
CHECKED BY: CS  
DWG. No.: S-640.00  
SHEET No.: of 0



1 ROOF FRAMING PLAN  
SCALE: 1/4" = 1'-0"

- CONCRETE NOTES:**
- TOP OF SLAB ELEVATION TO BE 833'-10" THUS ON PLAN.
  - F<sub>c</sub> = 10000 PSI (MIN).
  - SLAB TO BE 30" THICK U.O.N. THUS ON PLAN.
  - BOTTOM REINFORCEMENT TO BE #706 CONT. E.W. FOR 30" SLAB U.O.N.
- PS INDICATES HSS 12x12x½
- PE SEE DETAIL 11812/S-640
- FOR BALANCE OF NOTES SEE DRAWING S-010.

- STEEL NOTES:**
- TOP OF SLAB EL. +833'-10" U.O.N.
  - SLAB CONSTRUCTION TO BE 6" N.W. CONCRETE W/6x6-W2.9xW2.9 W.W.F. PLACED OVER 3" DEEP, 19 GAGE COMPOSITE GALVANIZED METAL DECK (TOTAL DEPTH = 9"). U.O.N. ON PLAN.
  - CONCRETE STRENGTH F<sub>c</sub> = 4000 PSI AT 28 DAYS. DECK DOES NOT REQUIRE SHORING.
  - TOP OF STEEL TO BE 9" BELOW TOP OF SLAB U.O.N. THUS ON PLAN. INDICATING DISTANCE IN INCHES ABOVE OR BELOW TOP OF SLAB.
  - SHEAR STUDS TO BE 3" DIA 7/8" LONG (AFTER WELDING) AND PLACED 1'-0" O/C U.O.N. NOTE STUDS ON W33 TO BE 2 1/2" LONG (AFTER WELDING).
  - FOR EMBED DETAILS, SEE DETAIL 8/S-640
  - FOR BALANCE OF NOTES AND LEGEND SEE DWG. S-010.

BEAM MARK	WIDTH	DEPTH	REINFORCEMENT		STIRRUPS		REMARKS		
			BOTTOM CONTINUOUS	TOP CONTINUOUS	TOP ADD'L BARS AT SUPPORT	TYPE		SIZE	SPACING
6401	36	48	49-#11 (5 LAYERS)	16-#11(2 LAYERS)		2	#5	86	#5@12 E.F. HORIZONTAL
6402	18	150	15-#11 (3 LAYERS)	5-#11		2	#5	86	#5@6 E.F. HORIZONTAL
6403	24	48	14-#11	14-#11		2	#5	86	#5@12 E.F. HORIZONTAL
6404	12	30	4-#11(2 LAYERS)	4-#11(2 LAYERS)		1	#5	86	

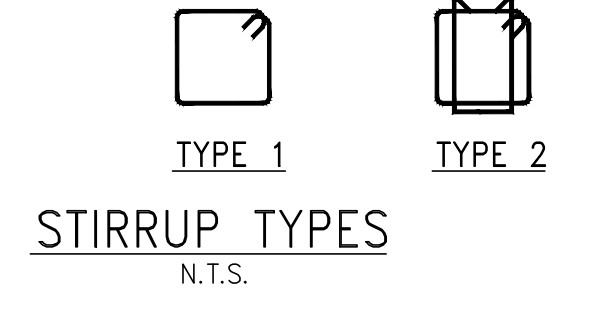
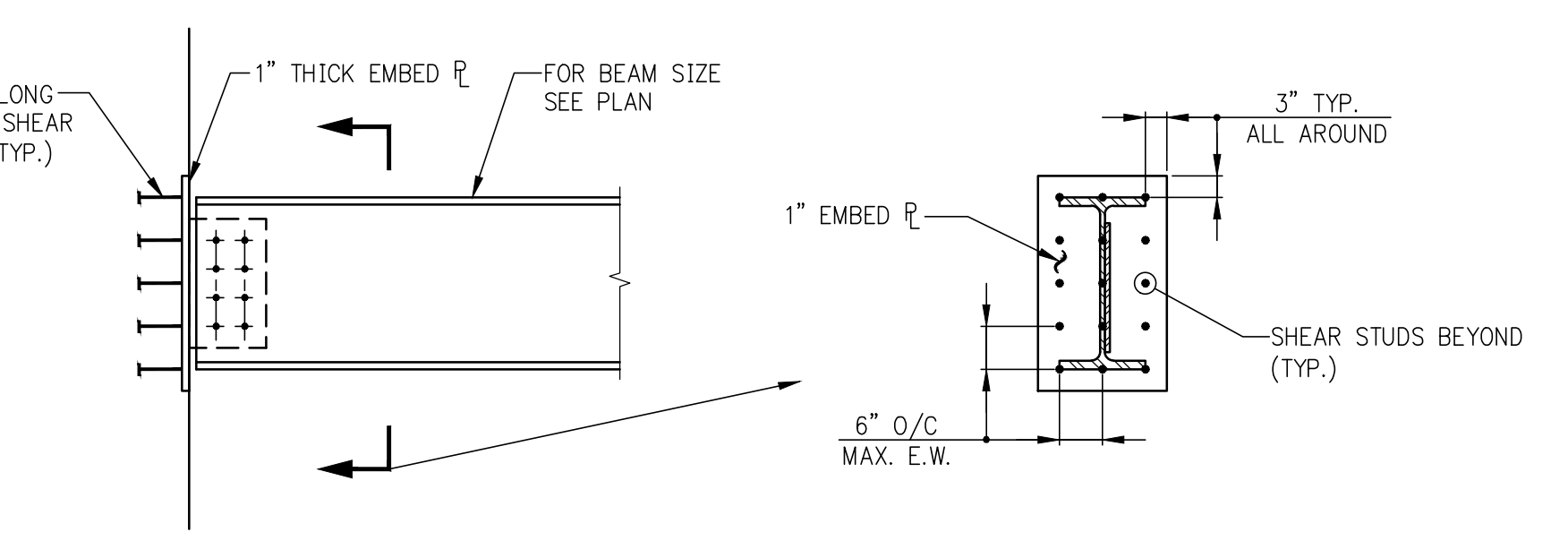
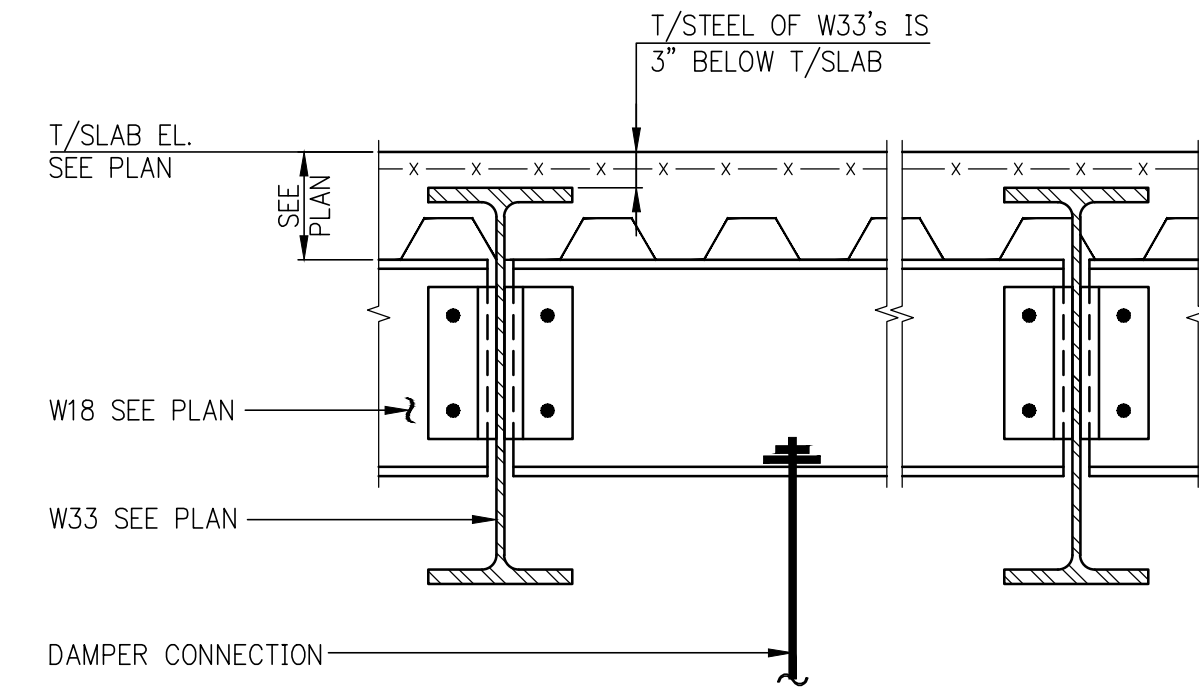


TABLE C  
STUD QUANTITY AND PLATE SIZE

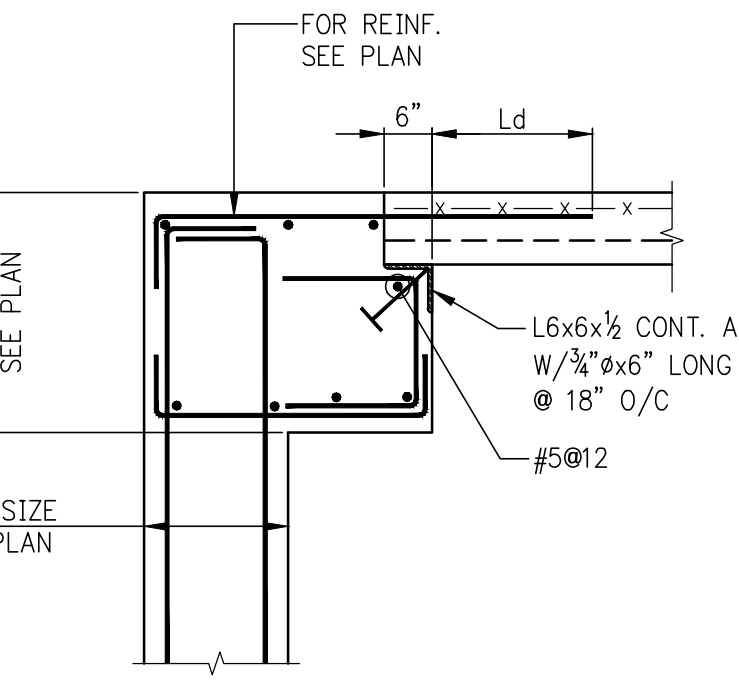
BEAM SIZE	PLATE SIZE	NO. OF STUDS
W16	14"x24"x1"	8
W33	24"x42"x1"	28



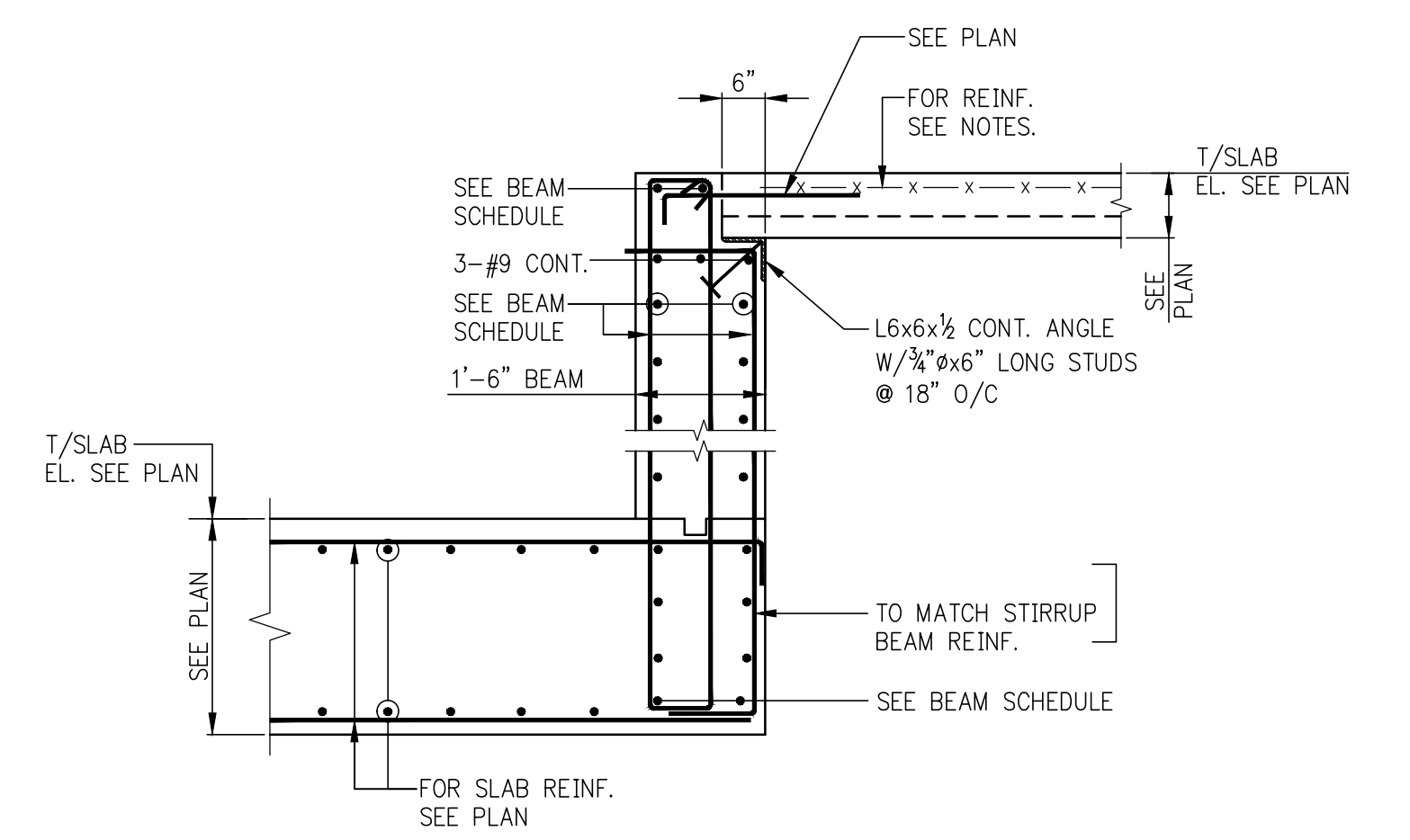
8 EMBED PLATE DETAIL  
SCALE: 3/8" = 1'-0"



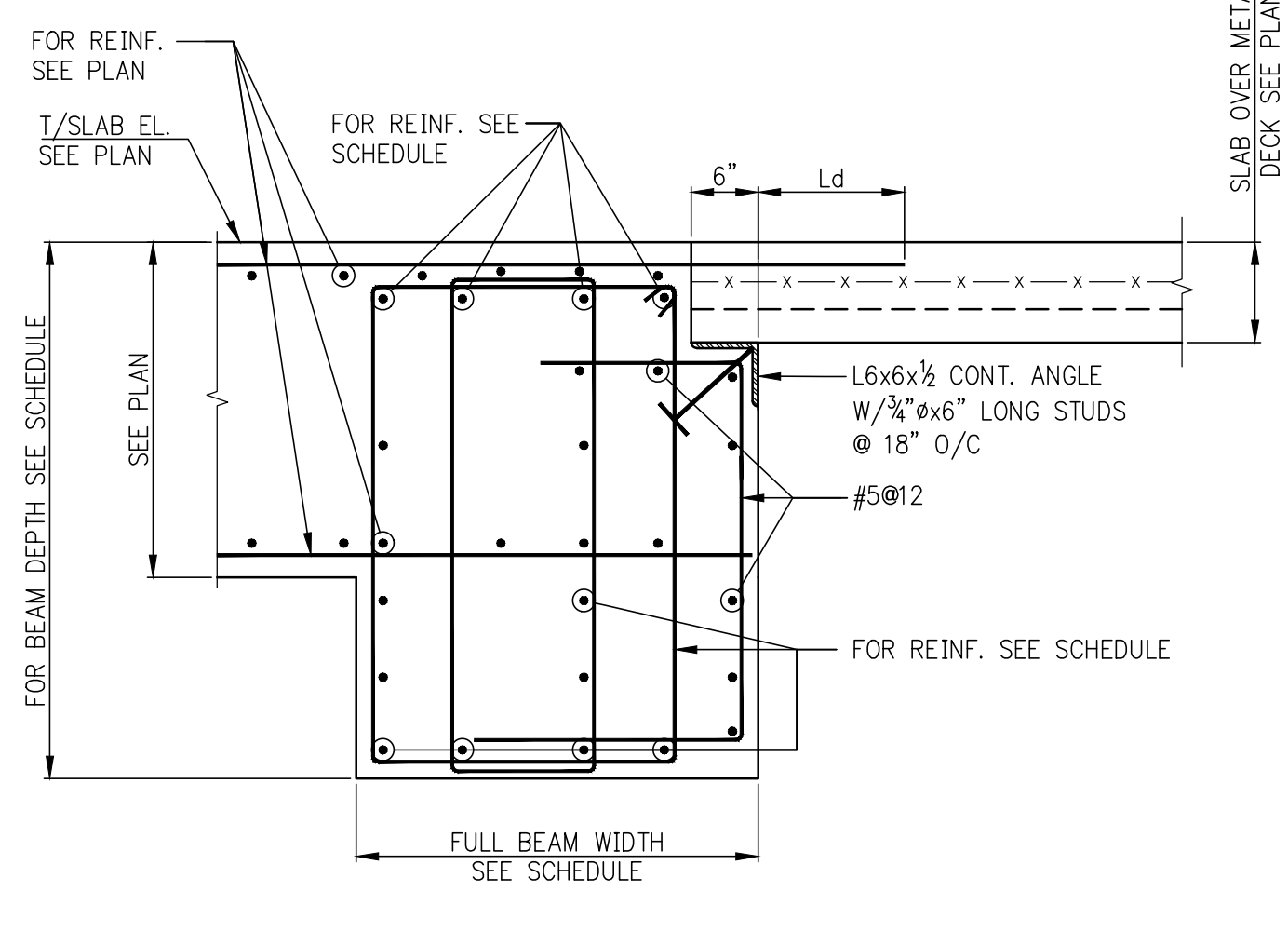
9 SECTION  
SCALE: 3/8" = 1'-0"



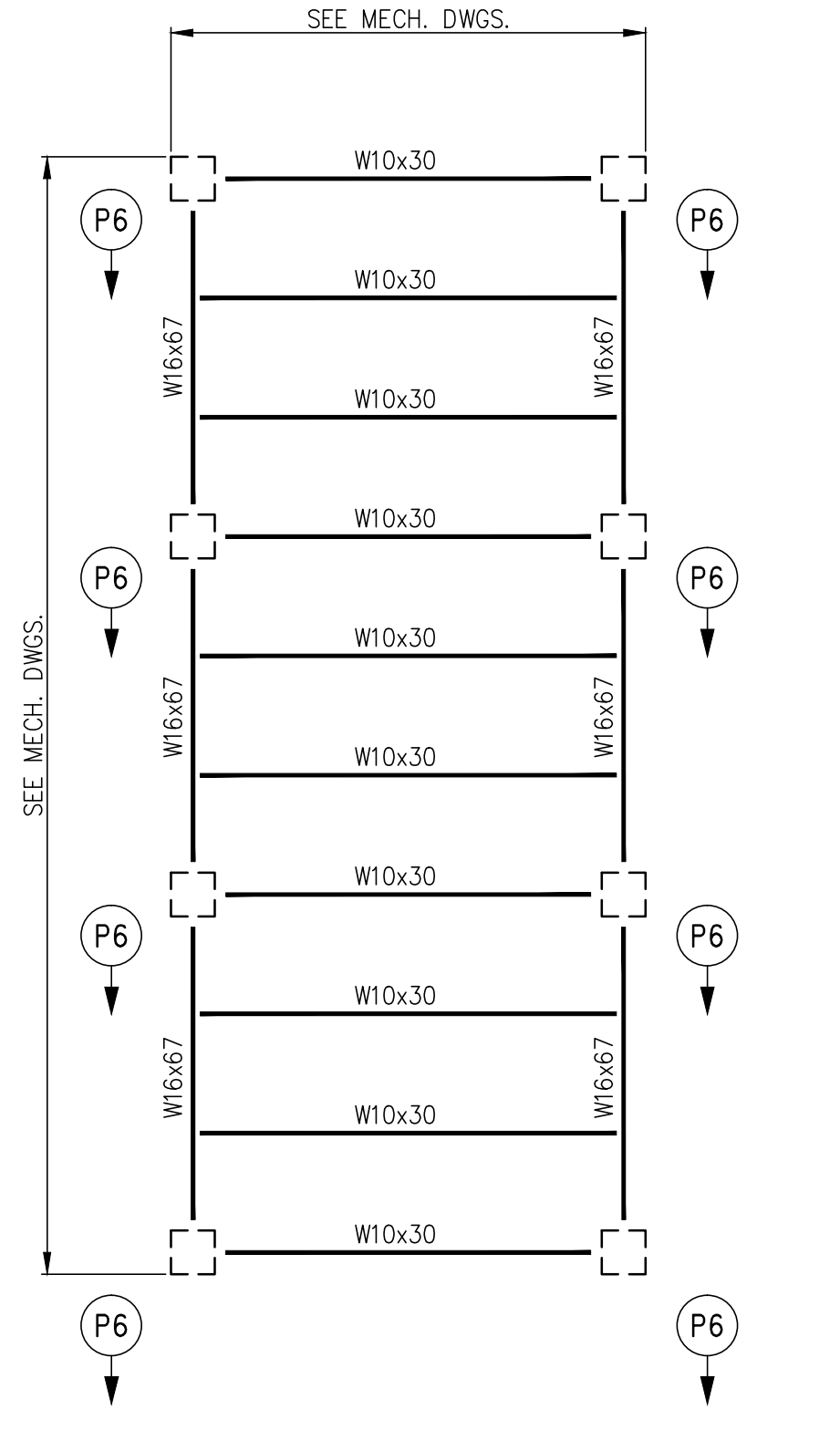
5 SECTION  
SCALE: 3/8" = 1'-0"



6 SECTION  
SCALE: 3/8" = 1'-0"

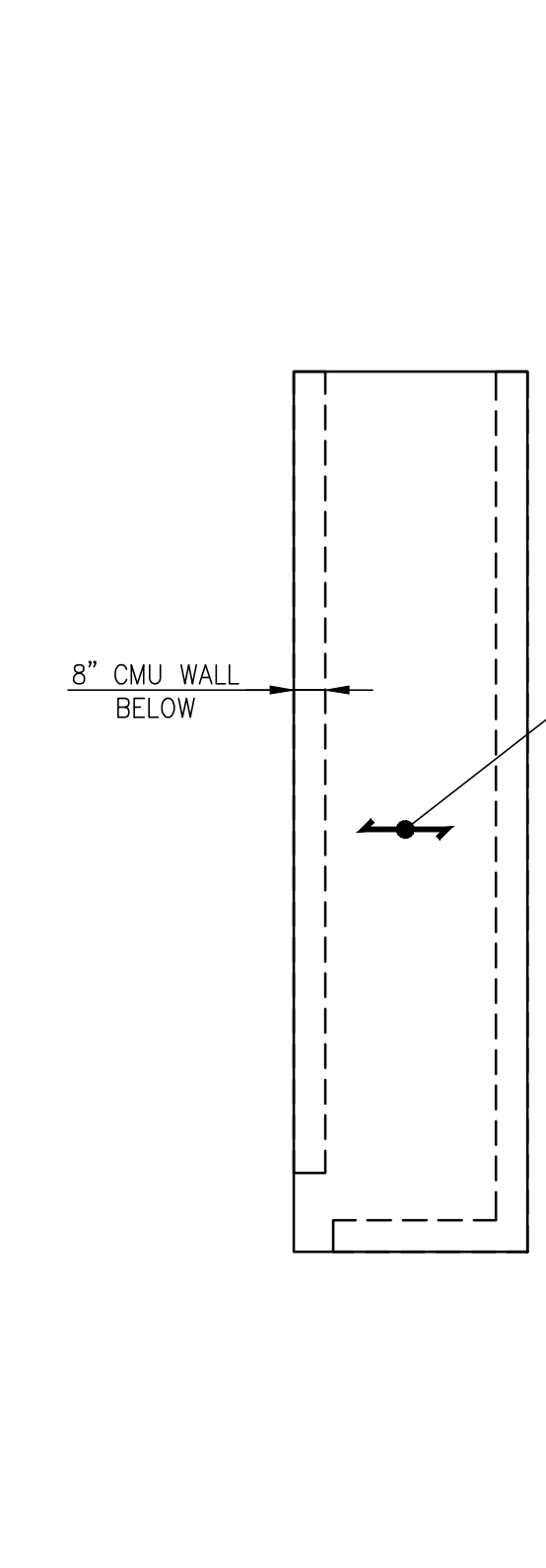


7 SECTION  
SCALE: 3/8" = 1'-0"



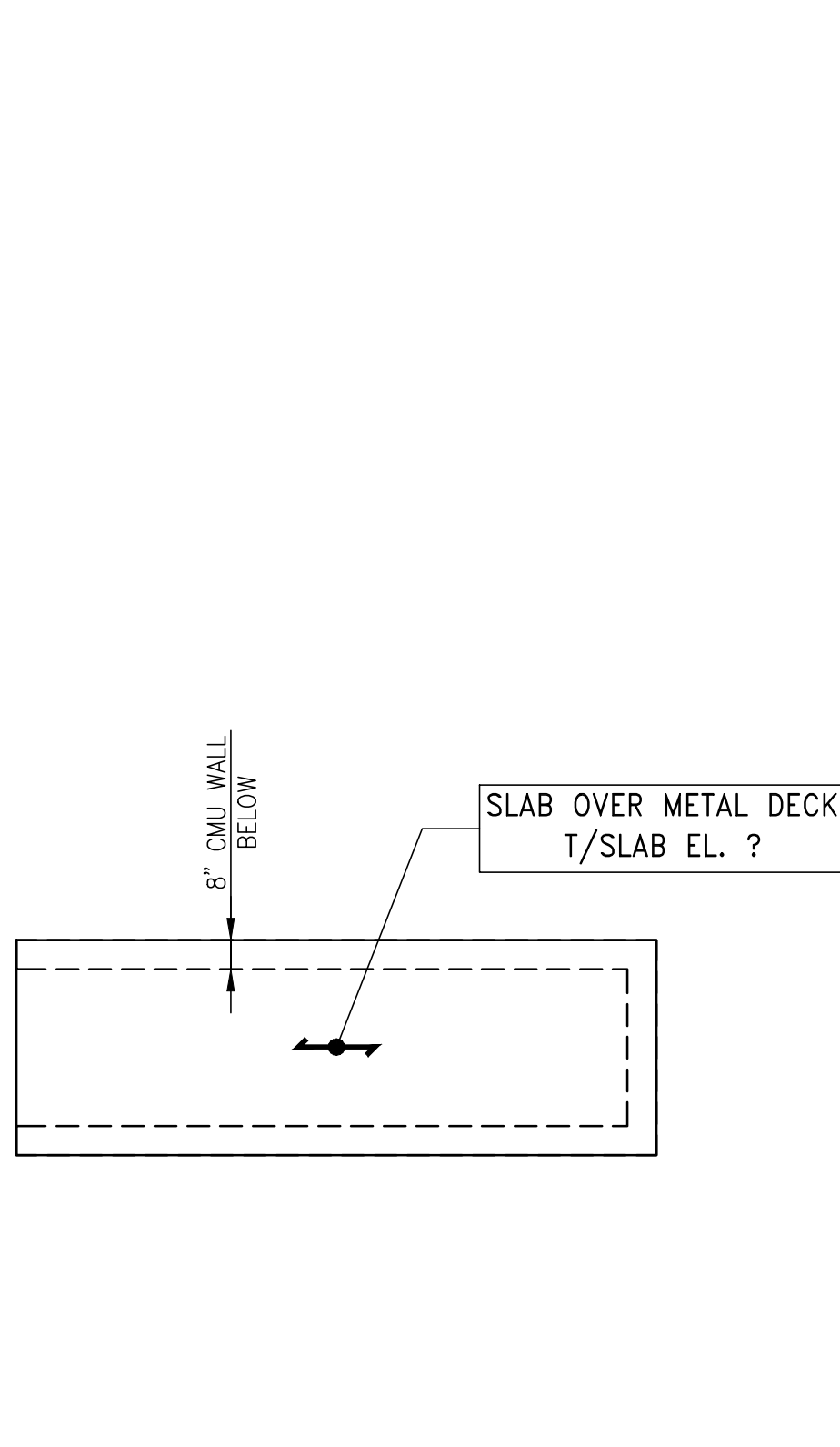
2 PART PLAN  
SCALE: 1/4" = 1'-0"

- NOTES:**
- FOR ADDITIONAL INFO, SEE MECH. DWGS.
  - FOR PLAN DIMENSIONS OF UNIT SEE PLAN & VERIFY W/UNIT SUPPLIER.
  - MAXIMUM OPERATING WT. OF UNIT 20,000 LBS.
  - ALL STEEL BEAMS AND PLATES TO BE ASTM A-572 (GR. 50) GALV.
  - ALL ELECTRODES TO BE E-70XX.
  - ALL BOLTED CONNECTIONS TO BE SLIP CRITICAL TYPE. BOLTS TO BE 3/4" GALV.
  - TOP OF STEEL SHALL BE AT LEAST 4'-0" ABOVE HIGH POINT OF ROOF. SEE ARCH. & MECH. DWGS.
  - EXACT LOCATION OF BEAMS TO BE COORDINATED WITH UNIT SUPPLIER.
  - TYPICAL PLATFORM POST TO BE A TUBE TS12x12x½ WITH A WELDED BASE PLATE & CAP PLATE THICK OF 1/2". THE NUMBER OF POSTS PER PLATFORM & PLATFORM POSTS.
  - AT EACH POST PROVIDE 2-KNEE BRACES - USE A L4x4x½.



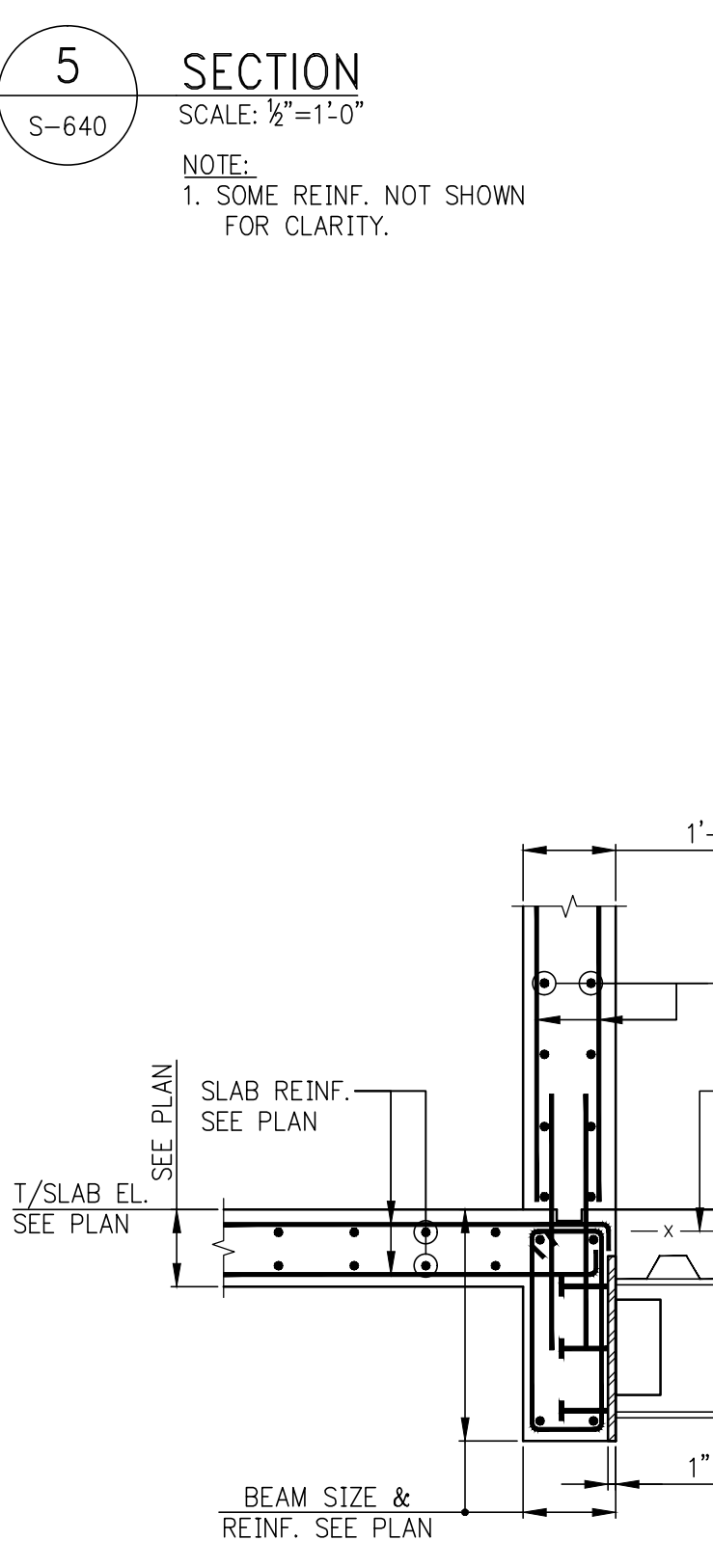
3 STAIR BULKHEAD FRAMING PLAN  
SCALE: 1/4" = 1'-0"

- NOTE:**
- SLAB CONSTRUCTION TO BE 2 1/2" N.W. CONCRETE W/6x6-W2.9xW2.9 W.W.F. PLACED OVER 3" DEEP, 19 GAGE COMPOSITE GALVANIZED METAL DECK (TOTAL DEPTH = 5 1/2"). U.O.N. ON PLAN.

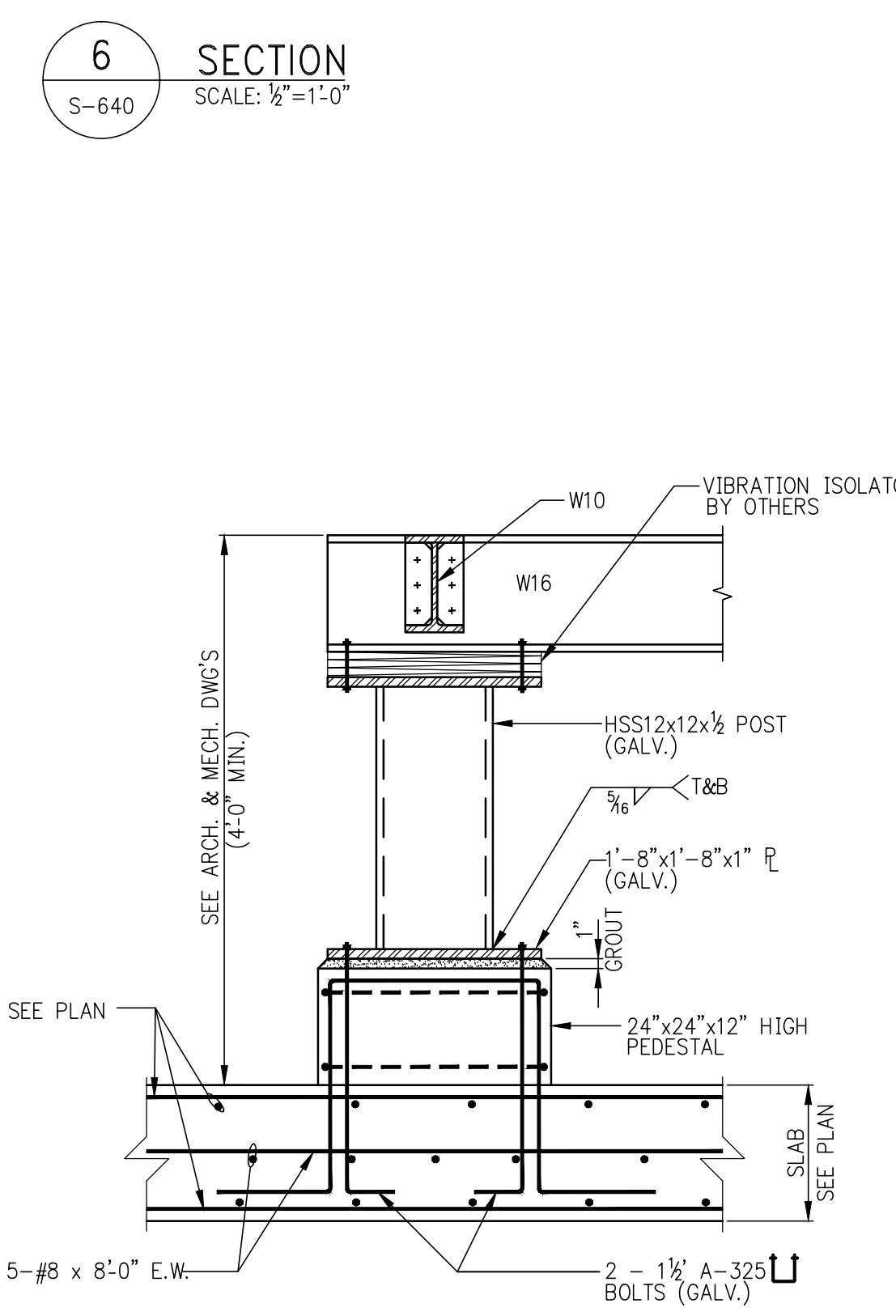


4 STAIR BULKHEAD FRAMING PLAN  
SCALE: 1/4" = 1'-0"

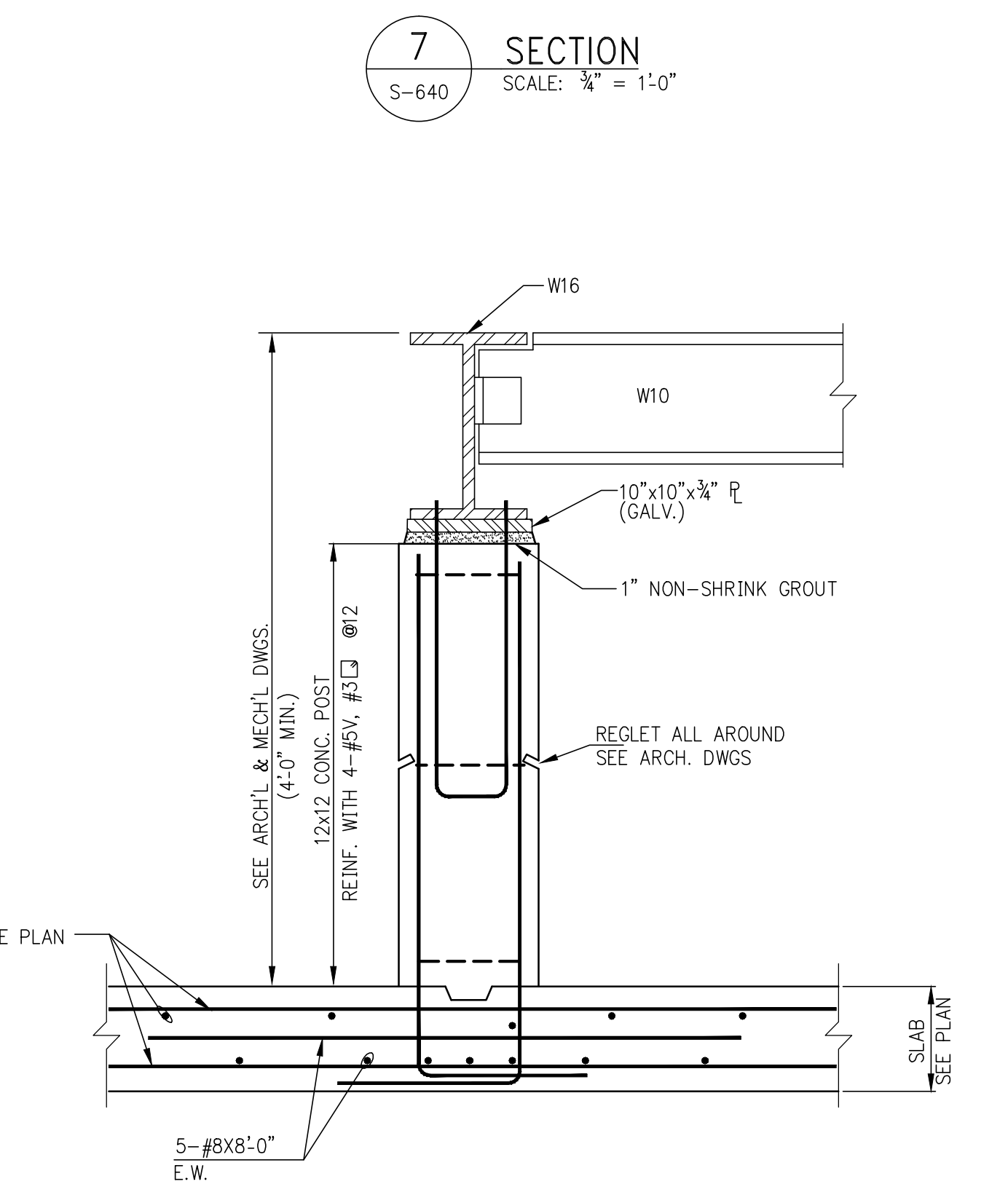
- NOTE:**
- SLAB CONSTRUCTION TO BE 2 1/2" N.W. CONCRETE W/6x6-W2.9xW2.9 W.W.F. PLACED OVER 3" DEEP, 19 GAGE COMPOSITE GALVANIZED METAL DECK (TOTAL DEPTH = 5 1/2"). U.O.N. ON PLAN.



10 SECTION  
SCALE: 3/8" = 1'-0"



11 POST (P6) DETAIL ALT. 1  
SCALE: 3/8" = 1'-0"



12 POST (P6) DETAIL ALT. 2  
SCALE: 1" = 1'-0"



PROJECT:  
138 EAST 50TH ST.  
NEW YORK, NY

OWNER/DEVELOPER:  
CERUZZI PROPERTIES, LLC  
400 PARK AVENUE, 5th FLOOR  
NEW YORK, NY 10022  
TEL: (212) 900-1700

ARCHITECT OF RECORD:  
SLCEArchitects, LLP  
1359 BROADWAY, 14th FLOOR  
NEW YORK, NY 10018  
TEL: (212) 979-8400  
FAX: (212) 979-8387

DESIGN ARCHITECT:  
Pelli Clarke Pelli Architects  
322 EIGHTH AVENUE  
NEW YORK, NY 10001  
TEL: (212) 417-9494  
FAX: (212) 417-9497

STRUCTURAL ENGINEER:

M.E.P. ENGINEER:

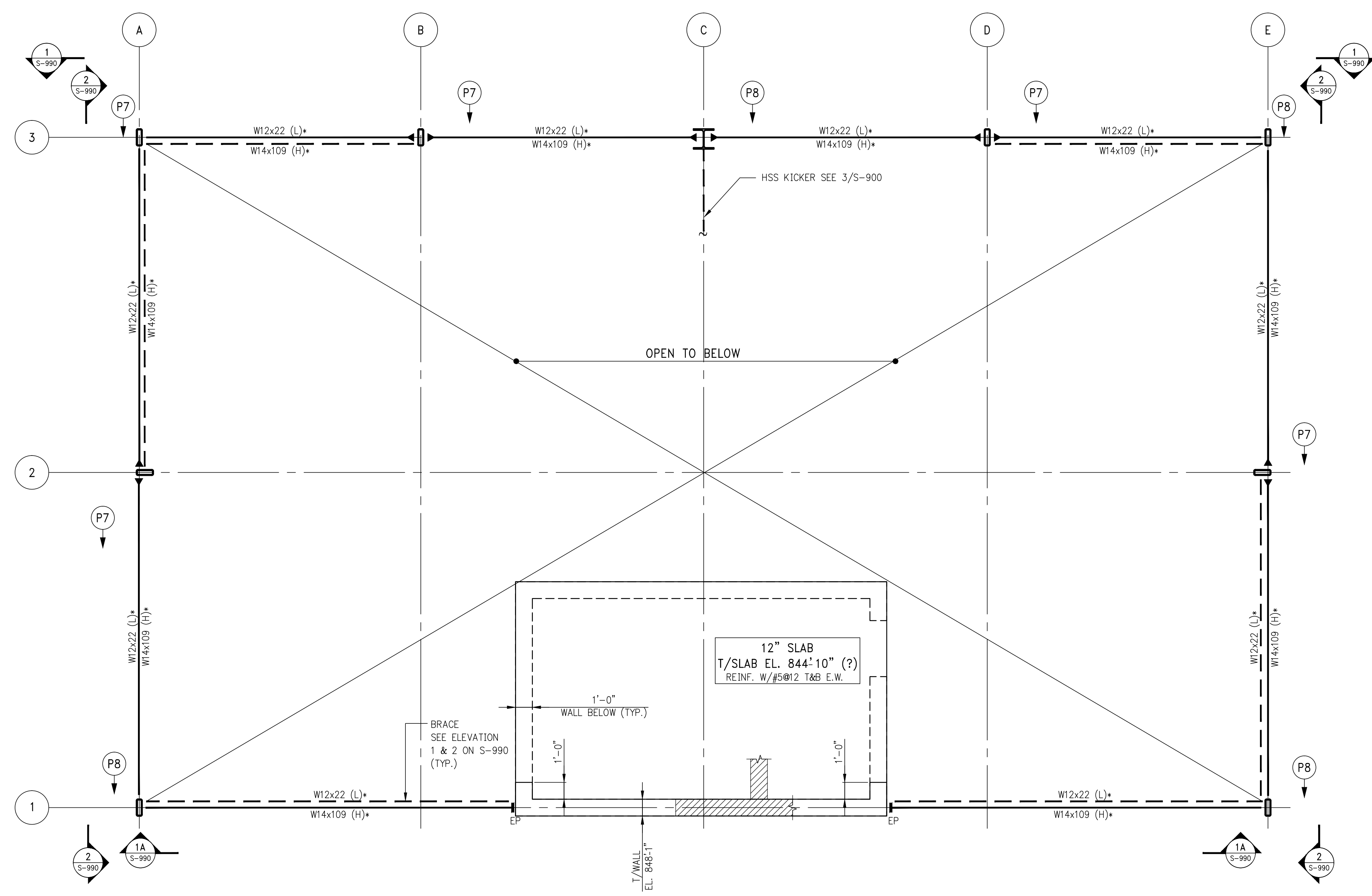
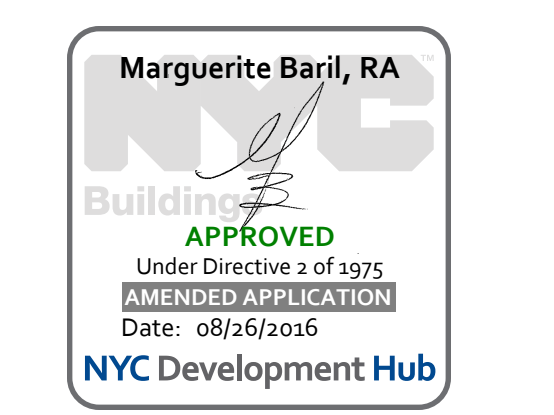
CIVIL ENGINEER:  
Philip Habib & Associates  
102 MADISON AVENUE, 11th FLOOR  
NEW YORK, NEW YORK 10016  
TEL: (212) 929-5656  
FAX: (212) 929-5655

DOB EXPEDITOR:  
JAM Consultants, Inc.  
104 WEST 29th STREET, 9th FLOOR  
NEW YORK, NEW YORK 10001  
TEL: (212) 244-4427  
FAX: (212) 244-4497

VERTICAL TRANSPORTATION CONSULTANT:  
Jenkins & Huntington, Inc.  
1251 AVENUE OF THE AMERICAS  
NEW YORK, NEW YORK 10020  
TEL: (212) 496-1818  
FAX: (212) 696-4528

ZONING CONSULTANT:  
Development Consulting Services  
330 WEST 42ND STREET  
NEW YORK, NEW YORK 10036  
TEL: (212) 714-0285  
FAX: (212) 714-0283

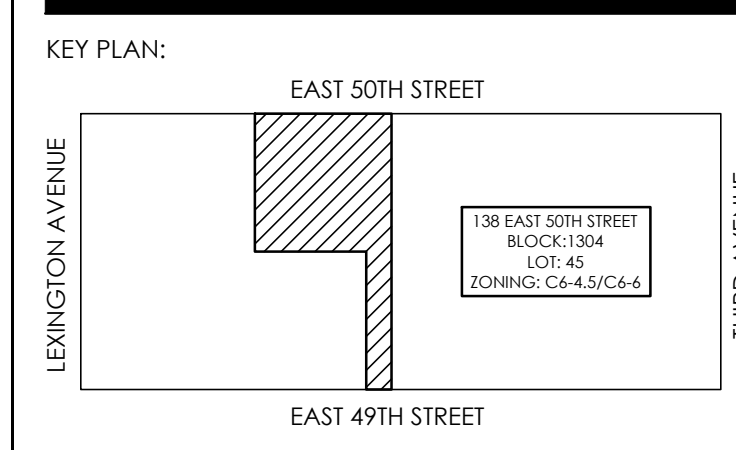
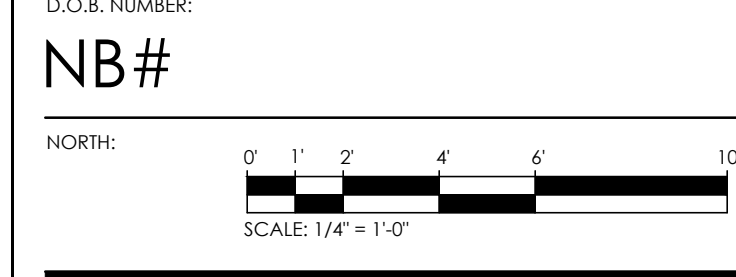
EXTERIOR WALL CONSULTANT:  
Vidaris, Incorporated  
360 PARK AVENUE SOUTH, 15th FL.  
NEW YORK, NEW YORK 10010  
TEL: (212) 689-3389



1 RING BEAM FRAMING PLAN  
SCALE: 3/8" = 1'-0"

- NOTES:
- TOP OF (L) BEAM EL. 841'-1" U.G.N. (ARCHITECT TO VERIFY).  
TOP OF (H) BEAM EL. 848'-1" U.G.N. (ARCHITECT TO VERIFY).
  - INDICATES LONG SIDE OF BEAM TO BE ORIENTATED IN HORIZONTAL DIRECTION.
  - ▶ INDICATES MOMENT CONNECTION.

DATE	REVISION
03-18-16	ISSUE TO DOB
02-25-16	REVISED 10" STEEL FRAMING
02-12-16	10" STEEL ALTERNATE
02-10-16	REVISED SUPERSTRUCTURE



PROJECT:  
138 EAST 50TH STREET  
NEW YORK, N.Y.

DRAWING TITLE:  
RING BEAM  
FRAMING PLAN

SEAL & SIGNATURE: [Signature] DATE: 05/14/2015  
PROJECT No: 199031  
DRAWN BY: CASO  
CHECKED BY: CS  
DWG. No: S-650.00  
SHEET No: of 0

PROJECT:  
**138 EAST 50TH ST.  
 NEW YORK, NY**

OWNER/DEVELOPER:  
**CERUZZI PROPERTIES, LLC**  
 400 PARK AVENUE, 5TH FLOOR  
 NEW YORK, NY 10022  
 TEL: (212) 900-1700

ARCHITECT OF RECORD:  
**SLCE Architects, LLP**  
 1359 BROADWAY, 14TH FLOOR  
 NEW YORK, NY 10018  
 TEL: (212) 979-8400  
 FAX: (212) 979-8387

DESIGN ARCHITECT:  
**Pelli Clarke Pelli Architects**  
 322 EIGHTH AVENUE  
 NEW YORK, NY 10001  
 TEL: (212) 417-9494  
 FAX: (212) 417-9497

STRUCTURAL ENGINEER:  
**WSP**  
 228 East 45th St.  
 New York, NY 10017  
 (212) 687-9888  
 www.wspgroup.com/usa

M.E.P. ENGINEER:  
**MGE**  
**MGE Engineering D.P.C.** (an engineer success)  
 118 West 32nd Street, 12th Floor, New York, NY 10001  
 P: (212) 693-0050 F: (212) 693-0050 www.mgepc.net

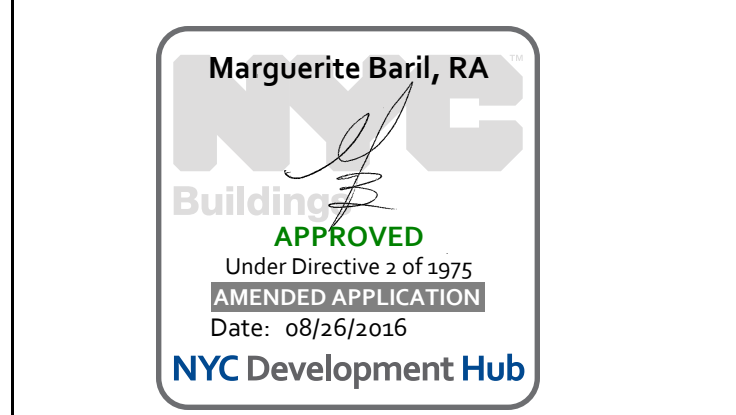
CIVIL ENGINEER:  
**Philip Habib & Associates**  
 102 MADISON AVENUE, 11TH FLOOR  
 NEW YORK, NEW YORK 10016  
 TEL: (212) 929-5656  
 FAX: (212) 929-5655

DOB EXPEDITOR:  
**JAM Consultants, Inc.**  
 104 WEST 29TH STREET, 9TH FLOOR  
 NEW YORK, NEW YORK 10001  
 TEL: (212) 244-4427  
 FAX: (212) 244-4497

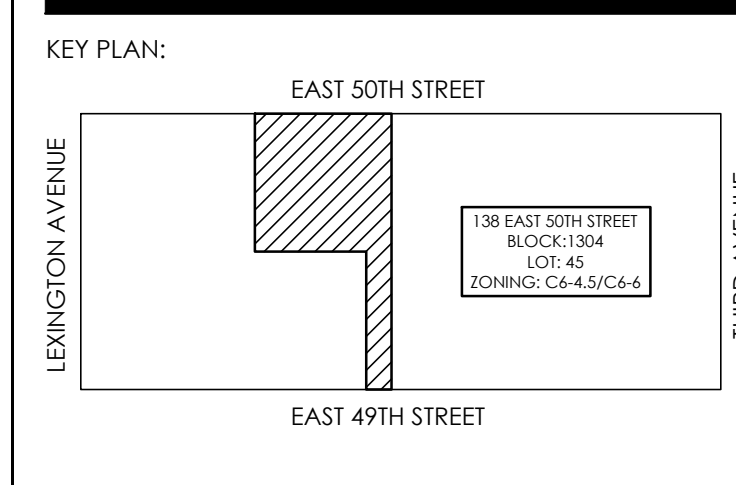
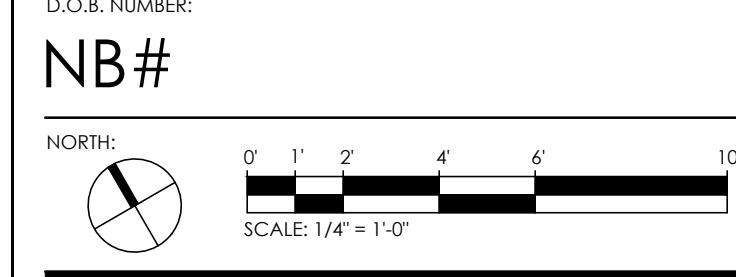
VERTICAL TRANSPORTATION CONSULTANT:  
**Jenkins & Huntington, Inc.**  
 1251 AVENUE OF THE AMERICAS  
 NEW YORK, NEW YORK 10020  
 TEL: (212) 496-1818  
 FAX: (212) 696-4528

ZONING CONSULTANT:  
**Development Consulting Services**  
 330 WEST 42ND STREET  
 NEW YORK, NEW YORK 10036  
 TEL: (212) 714-0285  
 FAX: (212) 714-0283

EXTERIOR WALL CONSULTANT:  
**Vidaris, Incorporated**  
 340 PARK AVENUE SOUTH, 15TH FL.  
 NEW YORK, NEW YORK 10010  
 TEL: (212) 689-3389



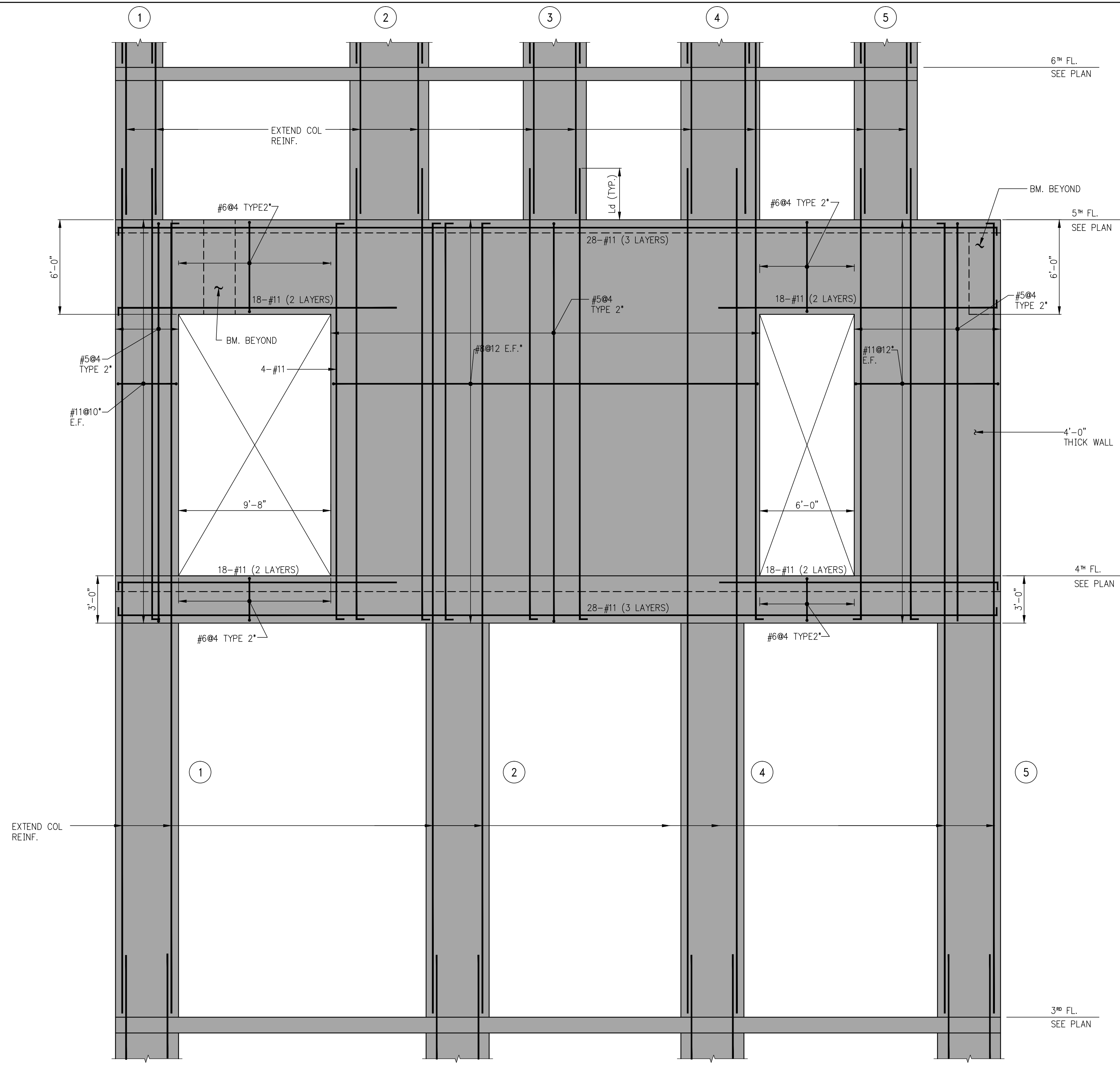
05-18-18	ISSUE TO DOB
02-18-18	REVISED SUPERSTRUCTURE
02-03-18	REVISED SUPERSTRUCTURE
11-17-15	REVISED SUPERSTRUCTURE FOR BID
09-15-15	ADDITIONAL 1 FLOOR SET
08-03-15	ISSUE FOR SUPERSTRUCTURE BID
DATE:	REVISION:



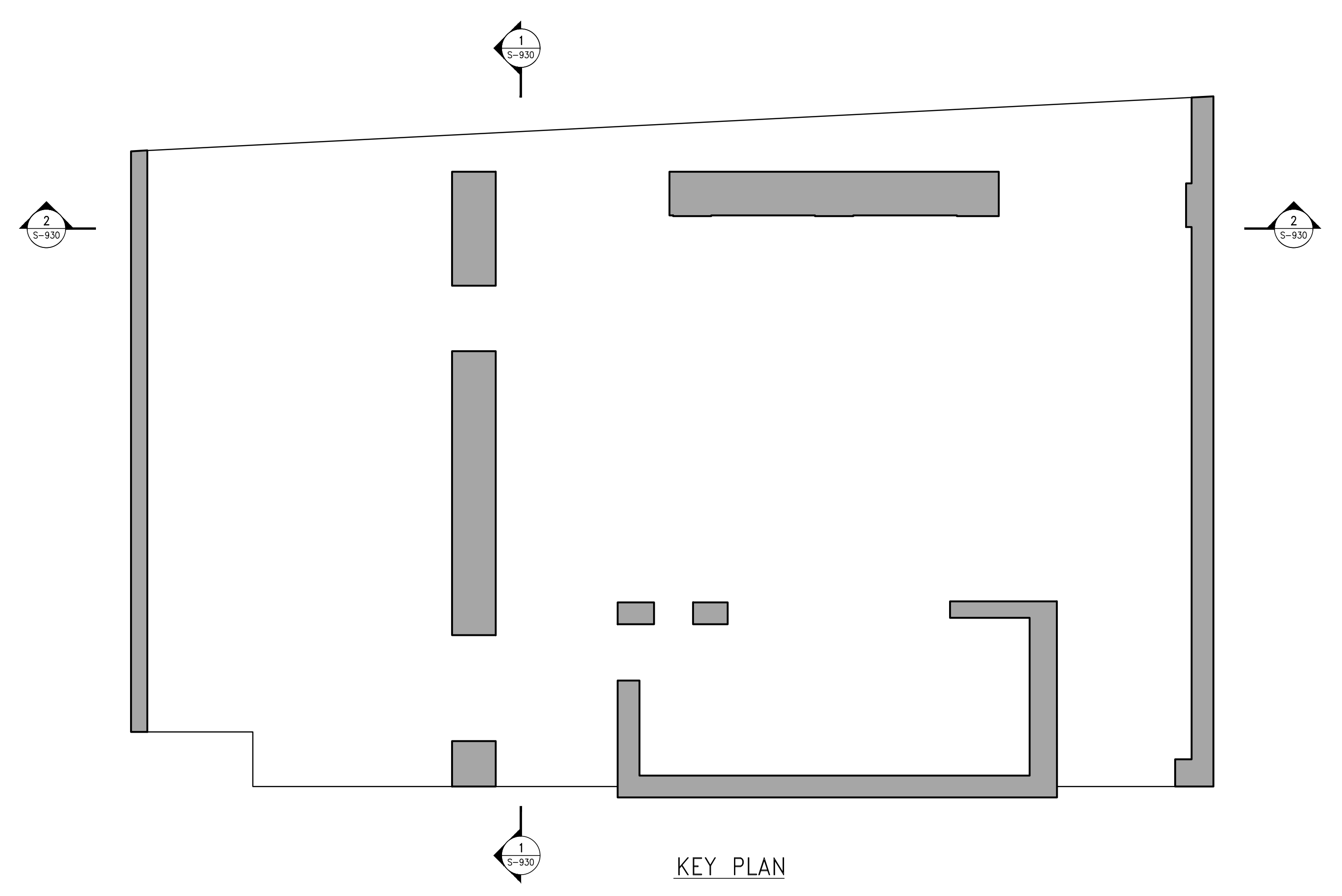
PROJECT:  
**138 EAST 50TH STREET  
 NEW YORK, N.Y.**

DRAWING TITLE:  
**SHEARWALL ELEVATIONS 1**

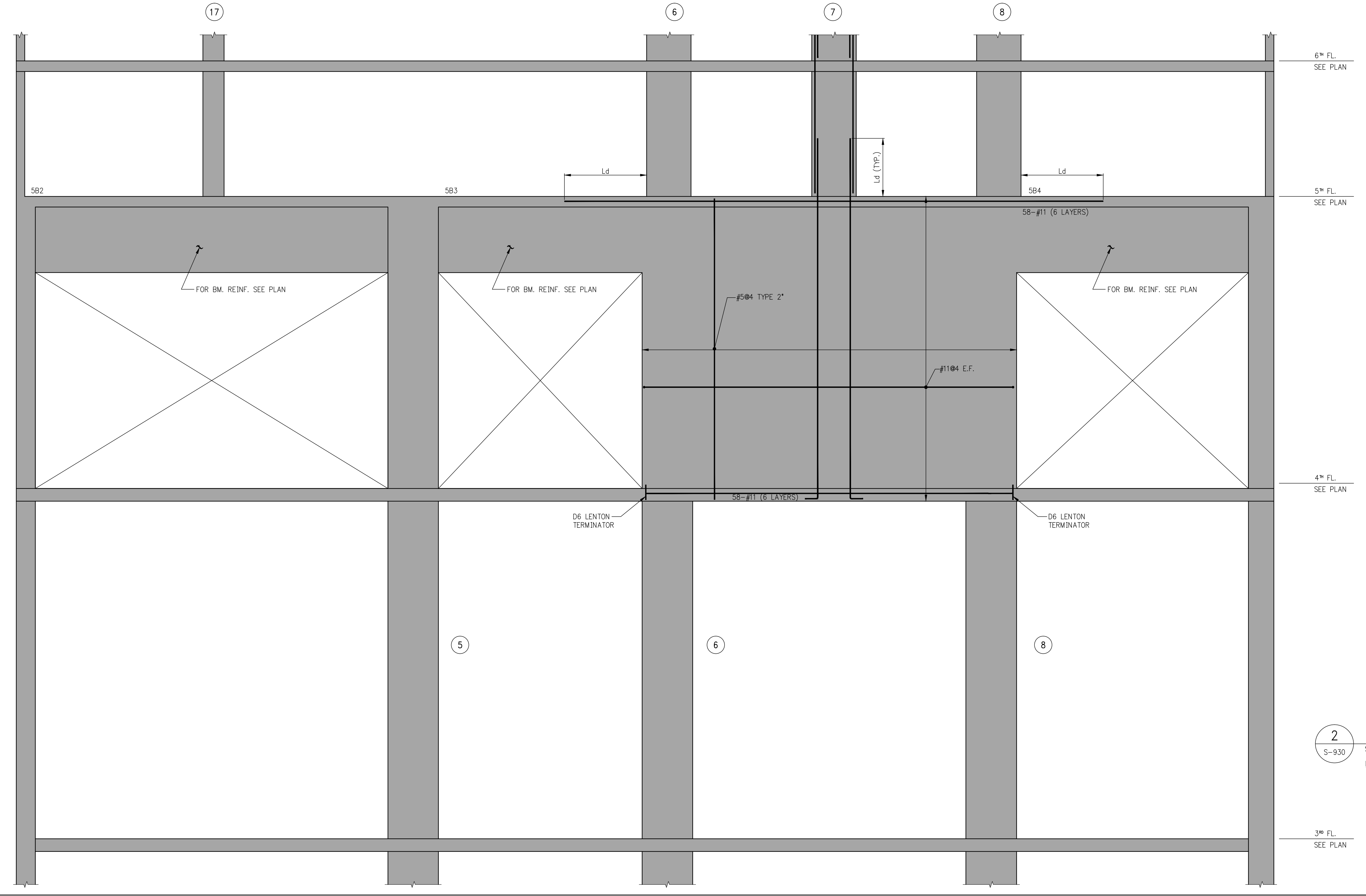
SEAL & SIGNATURE:  
  
 DATE: 05/14/2015  
 PROJECT No.: 1990031  
 DRAWN BY: CASD  
 CHECKED BY: CS  
 DWG. No.:  
**S-930.00**  
 SHEET No.: of 0



**1**  
 S-930  
**4TH FLOOR TRANSFER WALL WEST**  
 SCALE: 1/8"=1'-0"  
 NOTES:  
 1. SOME REINF. NOT SHOWN FOR CLARITY.



KEY PLAN



**2**  
 S-930  
**4TH FLOOR TRANSFER WALL NORTH**  
 SCALE: 1/8"=1'-0"  
 NOTES:  
 1. SOME REINF. NOT SHOWN FOR CLARITY.

NOTES:  
 1. REINFORCEMENT SHOWN ON SHEARWALL ELEVATIONS IS ADDITIONAL TO REINFORCEMENT SHOWN ON SHEARWALL REINFORCEMENT PLANS (S-940)  
 2. (\*) INDICATES REINFORCEMENT SHOWN ON ELEVATION IS TO BE USED IN LIEU OF REINFORCEMENT SHOWN ON PLANS.  
 3. SEE DRAWINGS S-945 FOR TYPICAL SHEARWALL DETAILS.

PROJECT:  
138 EAST 50TH ST.  
NEW YORK, NY

OWNER/DEVELOPER:  
CERUZZI PROPERTIES, LLC  
400 PARK AVENUE, 5th FLOOR  
NEW YORK, NY 10022  
TEL: (212) 900-1700

ARCHITECT OF RECORD:  
**SLCEArchitects, LLP**  
1359 BROADWAY, 14th FLOOR  
NEW YORK, NY 10018  
TEL: (212) 979-8400  
FAX: (212) 979-8387

DESIGN ARCHITECT:  
**Pelli Clarke Pelli Architects**  
322 EIGHTH AVENUE  
NEW YORK, NY 10001  
TEL: (212) 417-9494  
FAX: (212) 417-9497

STRUCTURAL ENGINEER:  
**WSP**  
228 East 45th St.  
New York, NY 10017  
(212) 687-9888  
www.wspgroup.com/usa

M.E.P. ENGINEER:  
**MGE**  
MGE Engineering D.P.C. is an engineer success  
118 West 126th Street, 12th Floor, New York, NY 10011  
P.O. Box 1055 - F 212-643-0550 www.mgepc.net

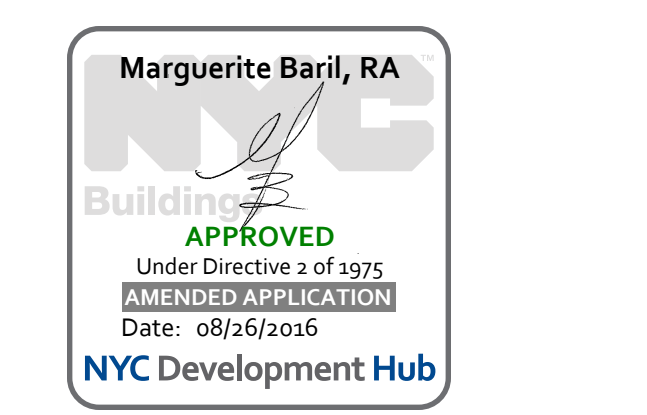
CIVIL ENGINEER:  
**Philip Habib & Associates**  
102 MADISON AVENUE, 11TH FLOOR  
NEW YORK, NEW YORK 10016  
TEL: (212) 929-5656  
FAX: (212) 929-5655

DOB EXPEDITOR:  
**JAM Consultants, Inc.**  
104 WEST 29th STREET, 9th FLOOR  
NEW YORK, NEW YORK 10001  
TEL: (212) 244-4427  
FAX: (212) 244-4497

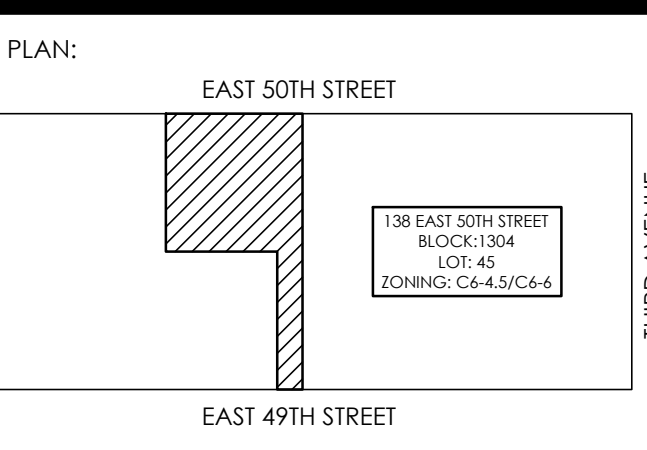
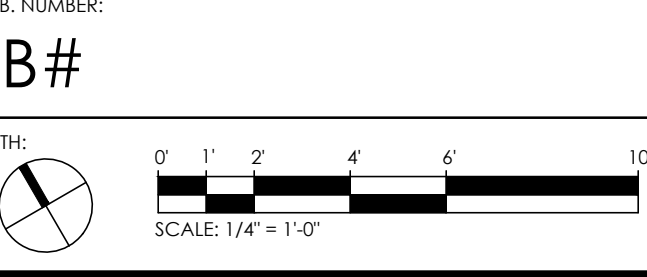
VERTICAL TRANSPORTATION CONSULTANT:  
**Jenkins & Huntington, Inc.**  
1251 AVENUE OF THE AMERICAS  
NEW YORK, NEW YORK 10020  
TEL: (212) 496-1818  
FAX: (212) 696-4526

ZONING CONSULTANT:  
**Development Consulting Services**  
330 WEST 42ND STREET  
NEW YORK, NEW YORK 10036  
TEL: (212) 714-0285  
FAX: (212) 714-0283

INTERIOR WALL CONSULTANT:  
**Vidaris, Incorporated**  
340 PARK AVENUE SOUTH, 15th FL.  
NEW YORK, NEW YORK 10010  
TEL: (212) 689-3389



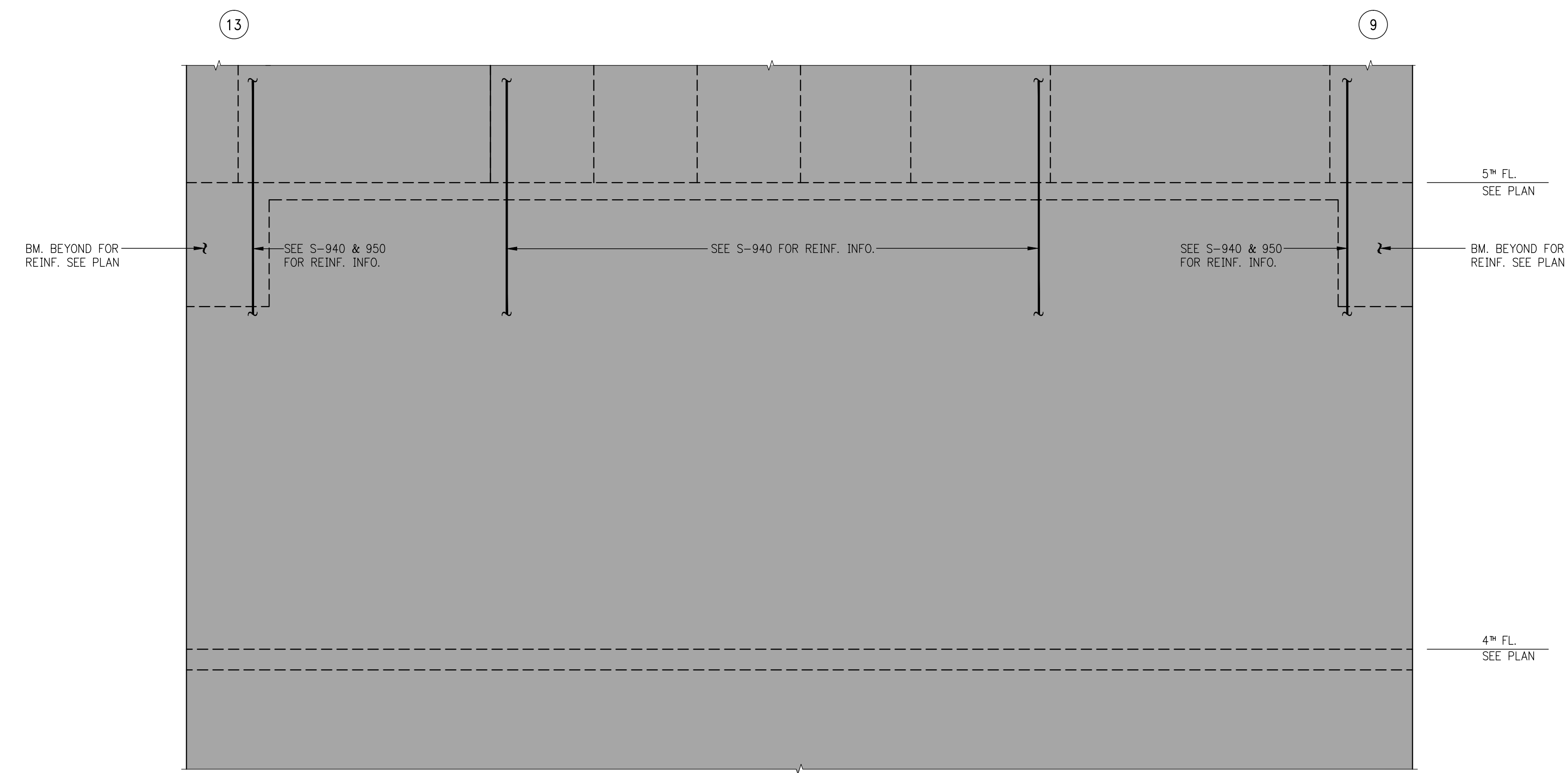
05-18-18	ISSUE TO DOB
02-18-18	REVISED SUPERSTRUCTURE
02-03-18	REVISED SUPERSTRUCTURE
11-17-15	REVISED SUPERSTRUCTURE FOR BID
09-23-15	ADDITIONAL FLOORING SET
08-03-15	ISSUE FOR SUPERSTRUCTURE BID
DATE:	REVISION:



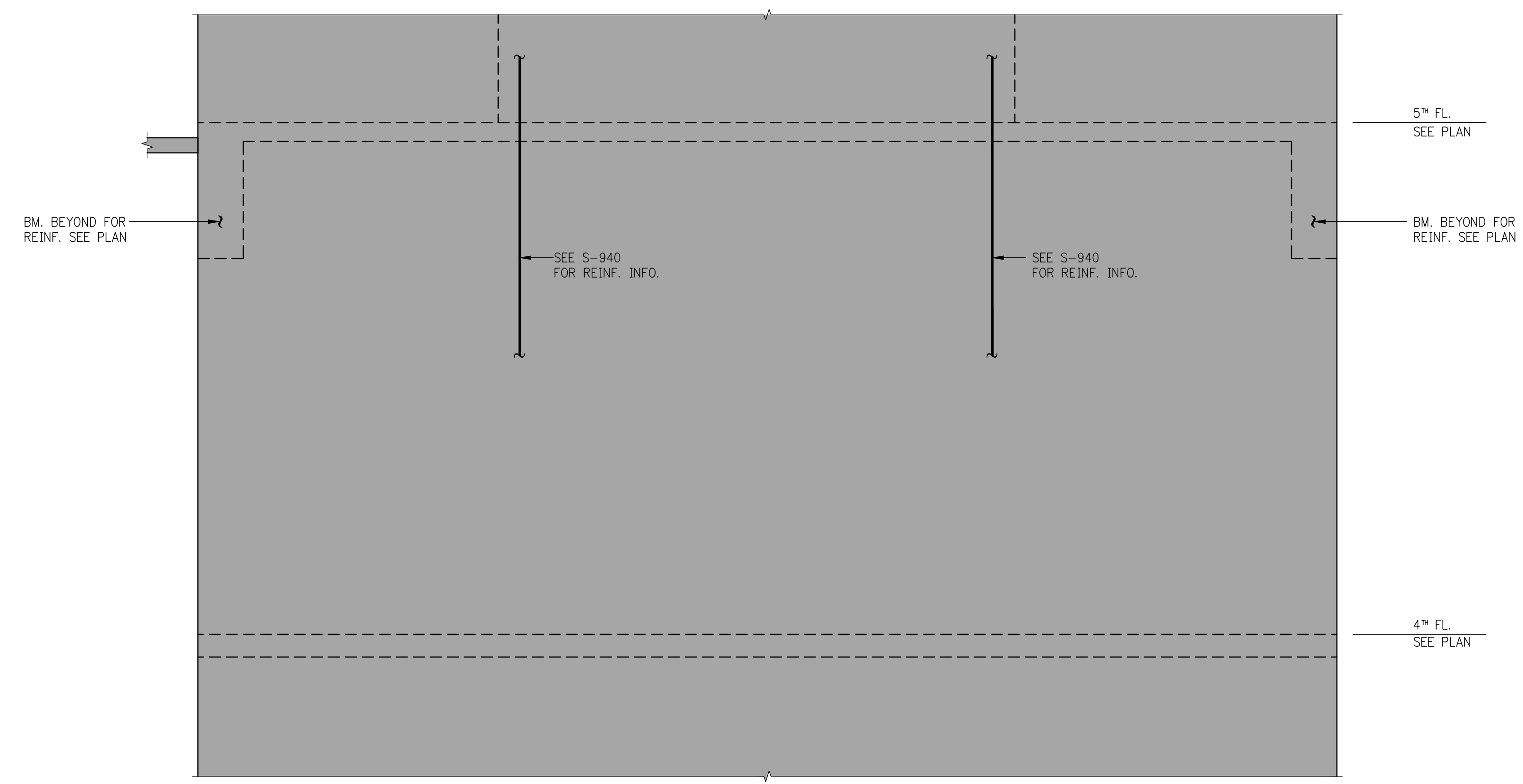
PROJECT:  
138 EAST 50TH STREET  
NEW YORK, N.Y.

DRAWING TITLE:  
SHEARWALL ELEVATIONS 2

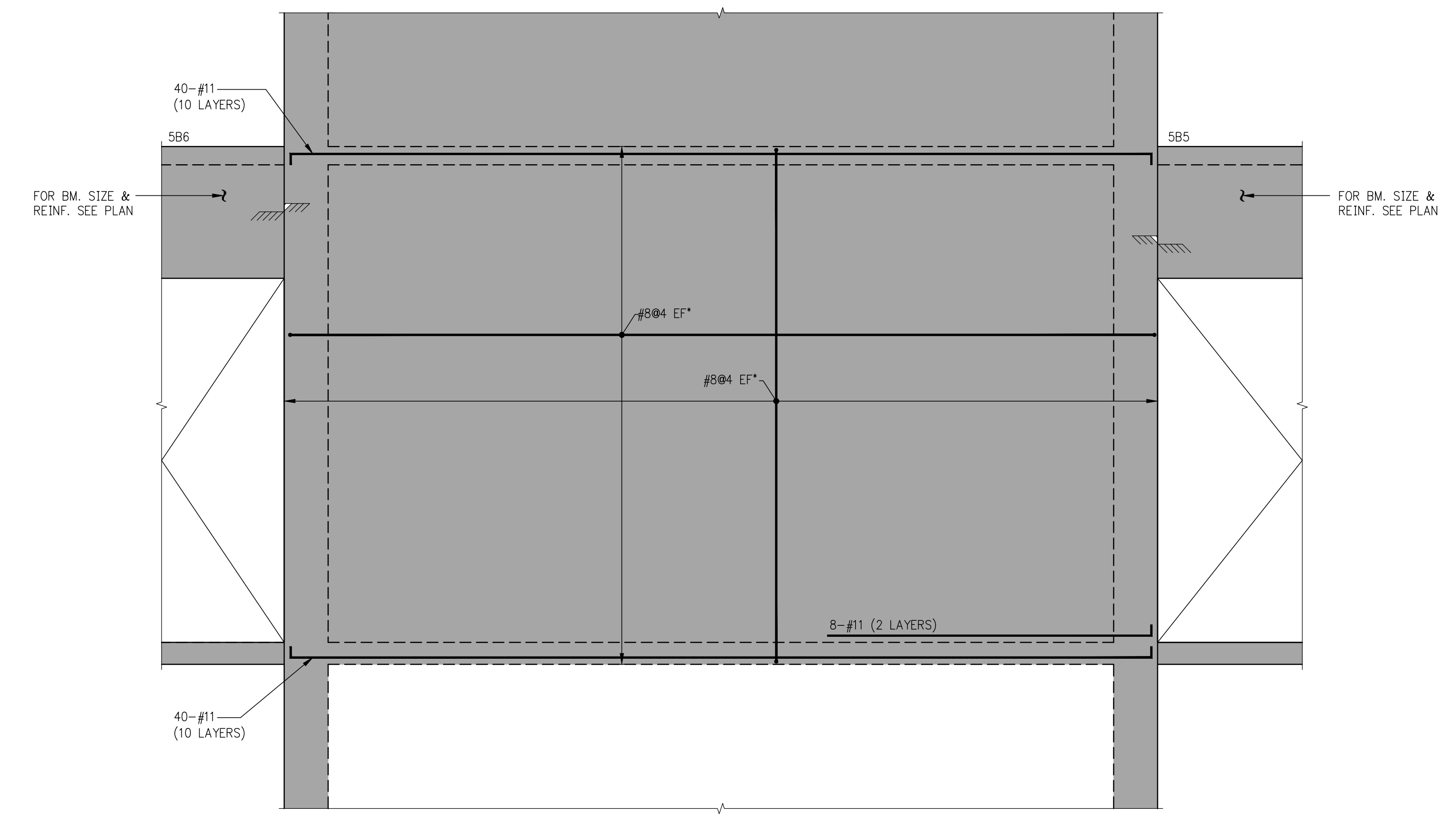
SEAL & SIGNATURE: DATE: 05/14/2015  
PROJECT No.: 199031  
DRAWN BY: CASO  
CHECKED BY: CS  
DWG. No.: **S-931.00**  
SHEET No.: of 0



1 4<sup>TH</sup> FLOOR EAST ELEVATION  
SCALE: 1/4"=1'-0"



3 4<sup>TH</sup> FLOOR WEST ELEVATION  
SCALE: 1/4"=1'-0"



2 4<sup>TH</sup> FLOOR SOUTH ELEVATION  
SCALE: 1/4"=1'-0"

- NOTES:
1. REINFORCEMENT SHOWN ON SHEARWALL ELEVATIONS IS ADDITIONAL TO REINFORCEMENT SHOWN ON SHEARWALL REINFORCEMENT PLANS (S-940)
  2. (+) INDICATES REINFORCEMENT SHOWN ON ELEVATION IS TO BE USED IN LIEU OF REINFORCEMENT SHOWN ON PLANS.
  3. SEE DRAWINGS S-945 FOR TYPICAL SHEARWALL DETAILS.



KEY PLAN

PROJECT:  
138 EAST 50TH ST.  
NEW YORK, NY

OWNER/DEVELOPER:  
CERUZZI PROPERTIES, LLC  
400 PARK AVENUE, 5th FLOOR  
NEW YORK, NY 10022  
TEL: (212) 900-1700

ARCHITECT OF RECORD:  
SLCEArchitects, LLP  
1359 BROADWAY, 14th FLOOR  
NEW YORK, NY 10018  
TEL: (212) 979-8400  
FAX: (212) 979-8387

DESIGN ARCHITECT:  
Pelli Clarke Pelli Architects  
322 EIGHTH AVENUE  
NEW YORK, NY 10001  
TEL: (212) 417-9494  
FAX: (212) 417-9497

STRUCTURAL ENGINEER:  
WSP  
228 East 45th St.  
New York, NY 10017  
(212) 687-0888  
www.wspgroup.com/usa

M.E.P. ENGINEER:  
MGE  
115 West 126th Street, 12th Floor, New York, NY 10011  
P: (212) 651-0555 F: (212) 651-0550 www.mgeinc.net

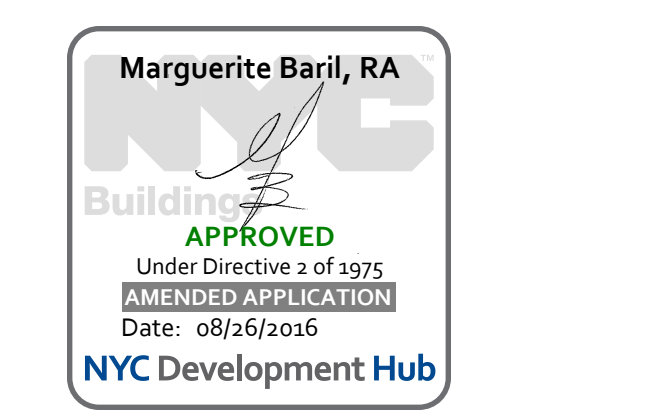
CIVIL ENGINEER:  
Philip Habis & Associates  
102 MADISON AVENUE, 11th FLOOR  
NEW YORK, NEW YORK 10016  
TEL: (212) 929-5656  
FAX: (212) 929-5655

DOB EXPEDITOR:  
JAM Consultants, Inc.  
104 WEST 29th STREET, 9th FLOOR  
NEW YORK, NEW YORK 10001  
TEL: (212) 244-4427  
FAX: (212) 244-4497

VERTICAL TRANSPORTATION CONSULTANT:  
Jenkins & Huntington, Inc.  
1251 AVENUE OF THE AMERICAS  
NEW YORK, NEW YORK 10020  
TEL: (212) 496-1818  
FAX: (212) 696-4528

ZONING CONSULTANT:  
Development Consulting Services  
330 WEST 42ND STREET  
NEW YORK, NEW YORK 10036  
TEL: (212) 714-0285  
FAX: (212) 714-0283

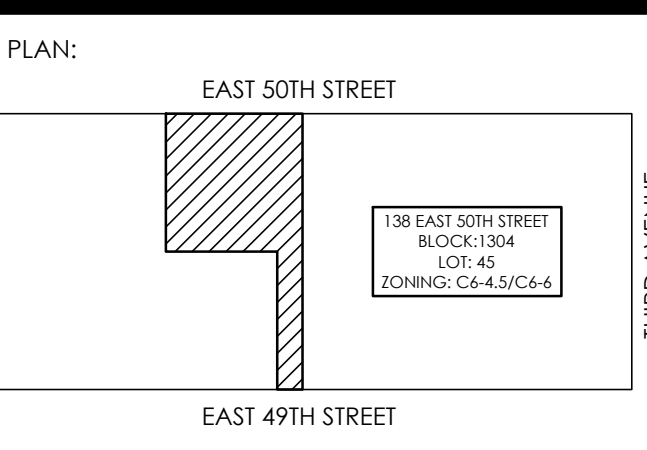
EXTERIOR WALL CONSULTANT:  
Vidaris, Incorporated  
360 PARK AVENUE SOUTH, 15th FL.  
NEW YORK, NEW YORK 10010  
TEL: (212) 689-3389



NO.	DATE	REVISION
05-18-18	ISSUE TO DOB	
02-10-16	REVISED SUPERSTRUCTURE	
02-03-16	REVISED SUPERSTRUCTURE	
11-17-15	REVISED SUPERSTRUCTURE FOR BID	
09-15-15	ADDITIONAL 1 PILING SET	
08-03-15	ISSUE FOR SUPERSTRUCTURE BID	

DOB NUMBER:  
NB#

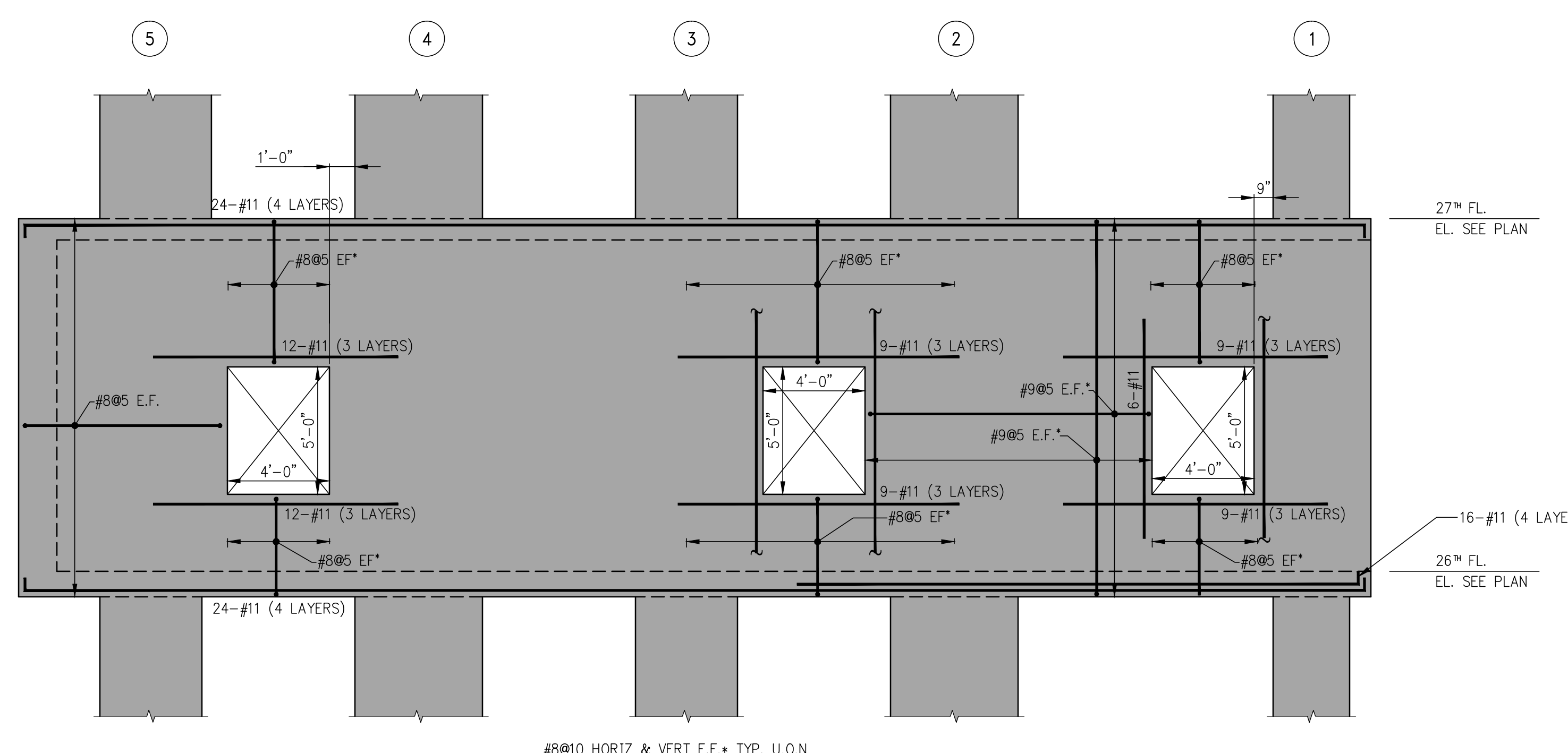
WORKS:  
SCALE: 1" = 1'-0"



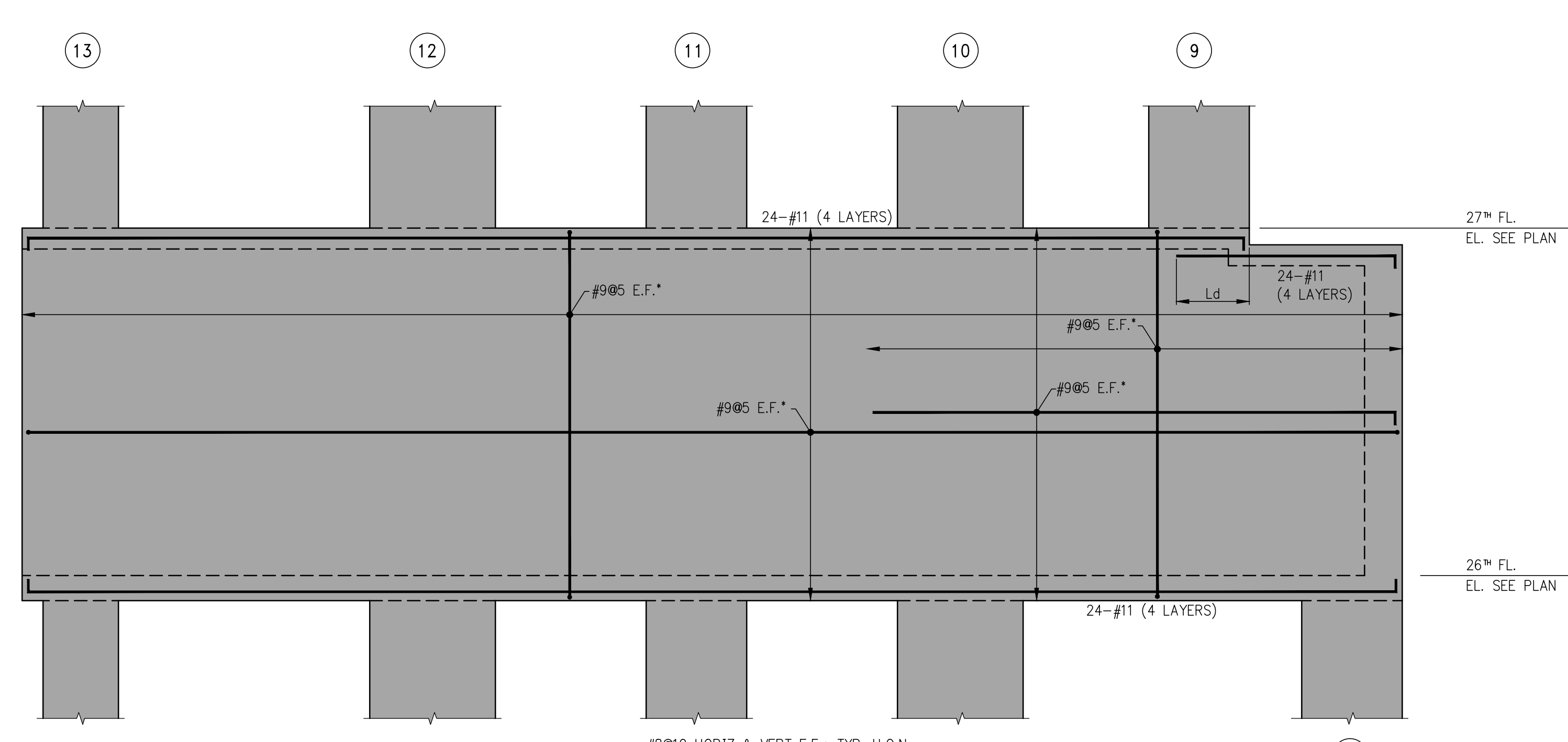
PROJECT:  
138 EAST 50TH STREET  
NEW YORK, N.Y.

DRAWING TITLE:  
SHEARWALL ELEVATIONS 3

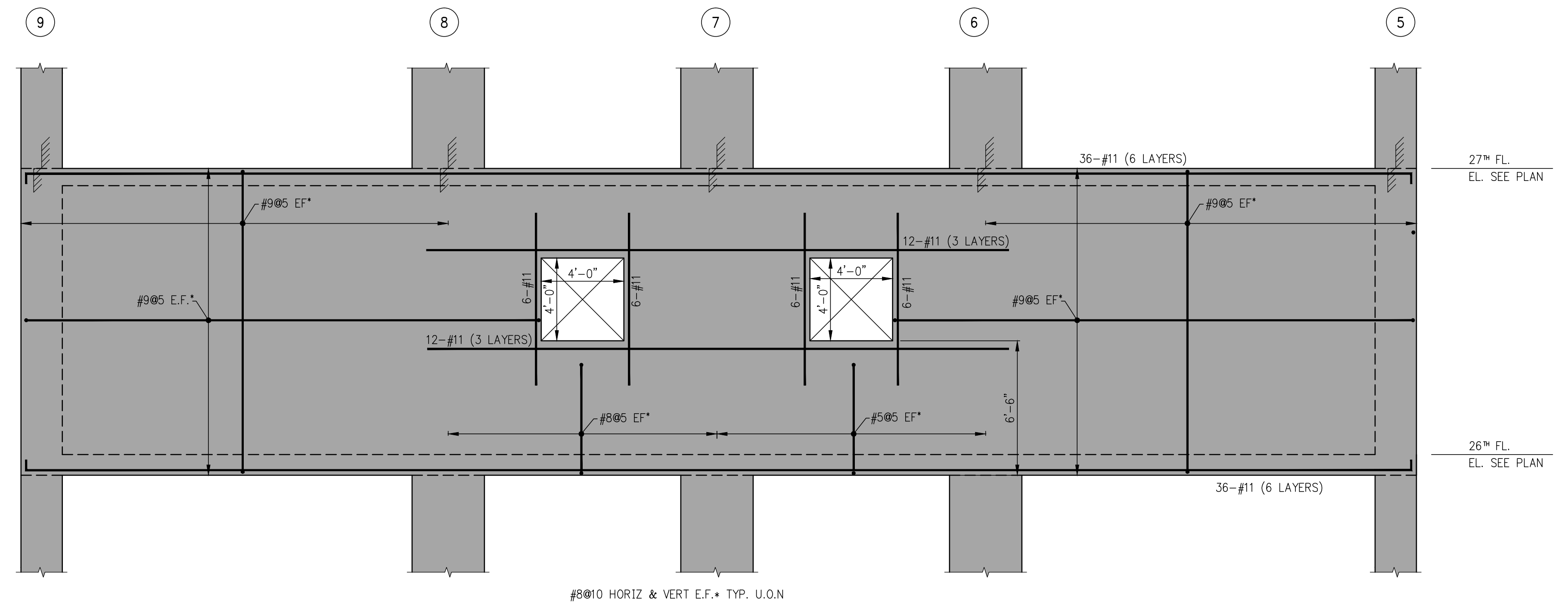
SEAL & SIGNATURE:  
DATE: 05/14/2015  
PROJECT No.: 1990031  
DRAWN BY: CASD  
CHECKED BY: CS  
DWG. No.:  
S-932.00  
SHEET No.: of 0



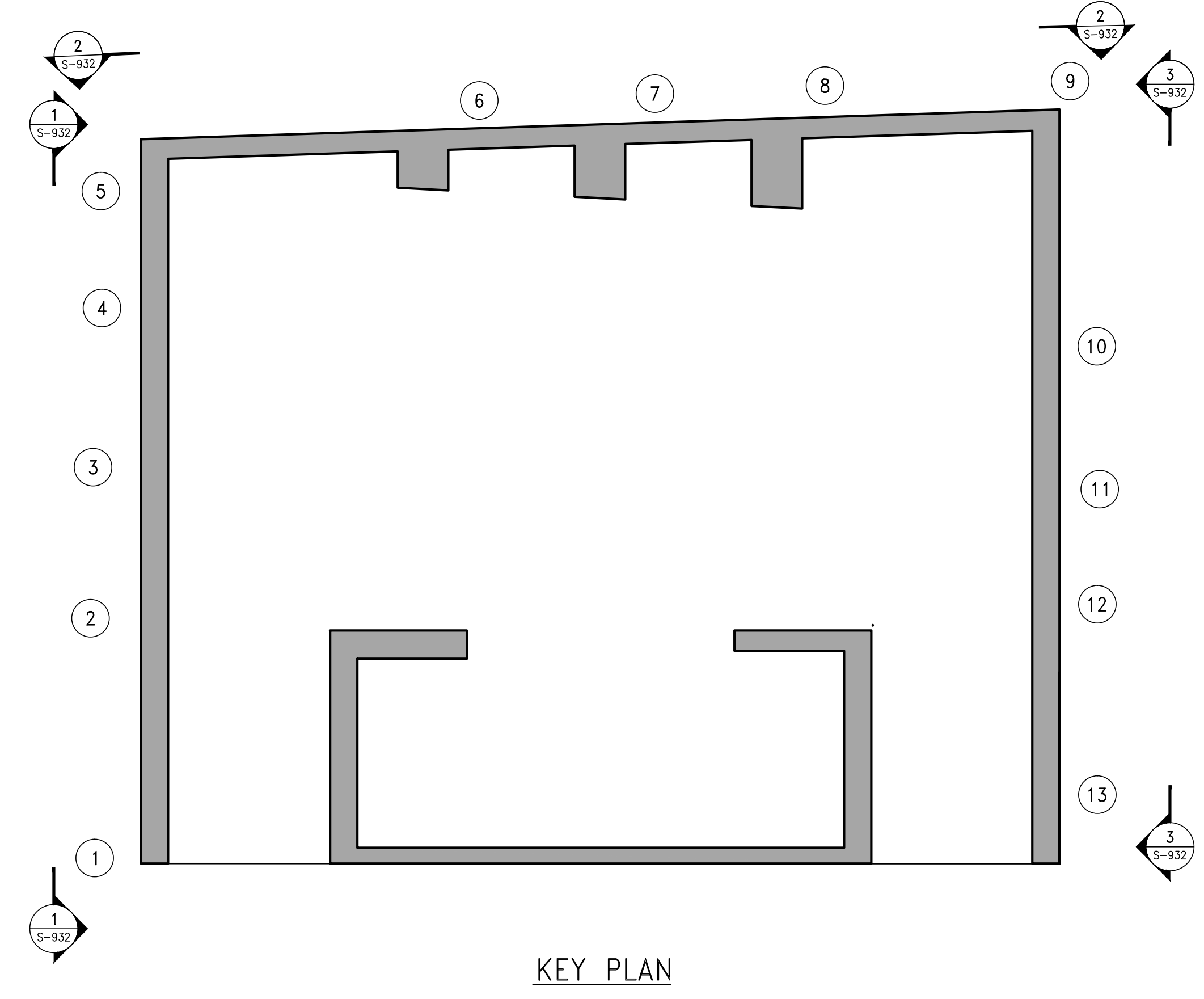
1 26<sup>TH</sup> FLOOR WEST ELEVATION  
SCALE: 1/4" = 1'-0"



3 26<sup>TH</sup> FLOOR EAST ELEVATION  
SCALE: 1/4" = 1'-0"



2 26<sup>TH</sup> FLOOR NORTH ELEVATION  
SCALE: 1/4" = 1'-0"



KEY PLAN

- NOTES:
1. REINFORCEMENT SHOWN ON SHEARWALL ELEVATIONS IS ADDITIONAL TO REINFORCEMENT SHOWN ON SHEARWALL REINFORCEMENT PLANS (S-940)
  2. (\*) INDICATES REINFORCEMENT SHOWN ON ELEVATION IS TO BE USED IN LIEU OF REINFORCEMENT SHOWN ON PLANS.
  3. SEE DRAWINGS S-945 FOR TYPICAL SHEARWALL DETAILS.

PROJECT:  
138 EAST 50TH ST.  
NEW YORK, NY

OWNER/DEVELOPER:  
CERUZZI PROPERTIES, LLC  
400 PARK AVENUE, 5th FLOOR  
NEW YORK, NY 10022  
TEL: (212) 300-1700

ARCHITECT OF RECORD:  
SLCEArchitects, LLP  
1359 BROADWAY, 14th FLOOR  
NEW YORK, NY 10018  
TEL: (212) 979-8400  
FAX: (212) 979-8387

DESIGN ARCHITECT:  
Pelli Clarke Pelli Architects  
322 EIGHTH AVENUE  
NEW YORK, NY 10001  
TEL: (212) 417-9494  
FAX: (212) 417-9497

STRUCTURAL ENGINEER:  
WSP  
228 East 45th St.  
New York, NY 10017  
(212) 687-0888  
www.wspgroup.com/usa

M.E.P. ENGINEER:  
MGE  
115 West 32nd Street, 12th Floor, New York, NY 10001  
P: (212) 633-0555 F: (212) 633-0550 www.mgepc.net

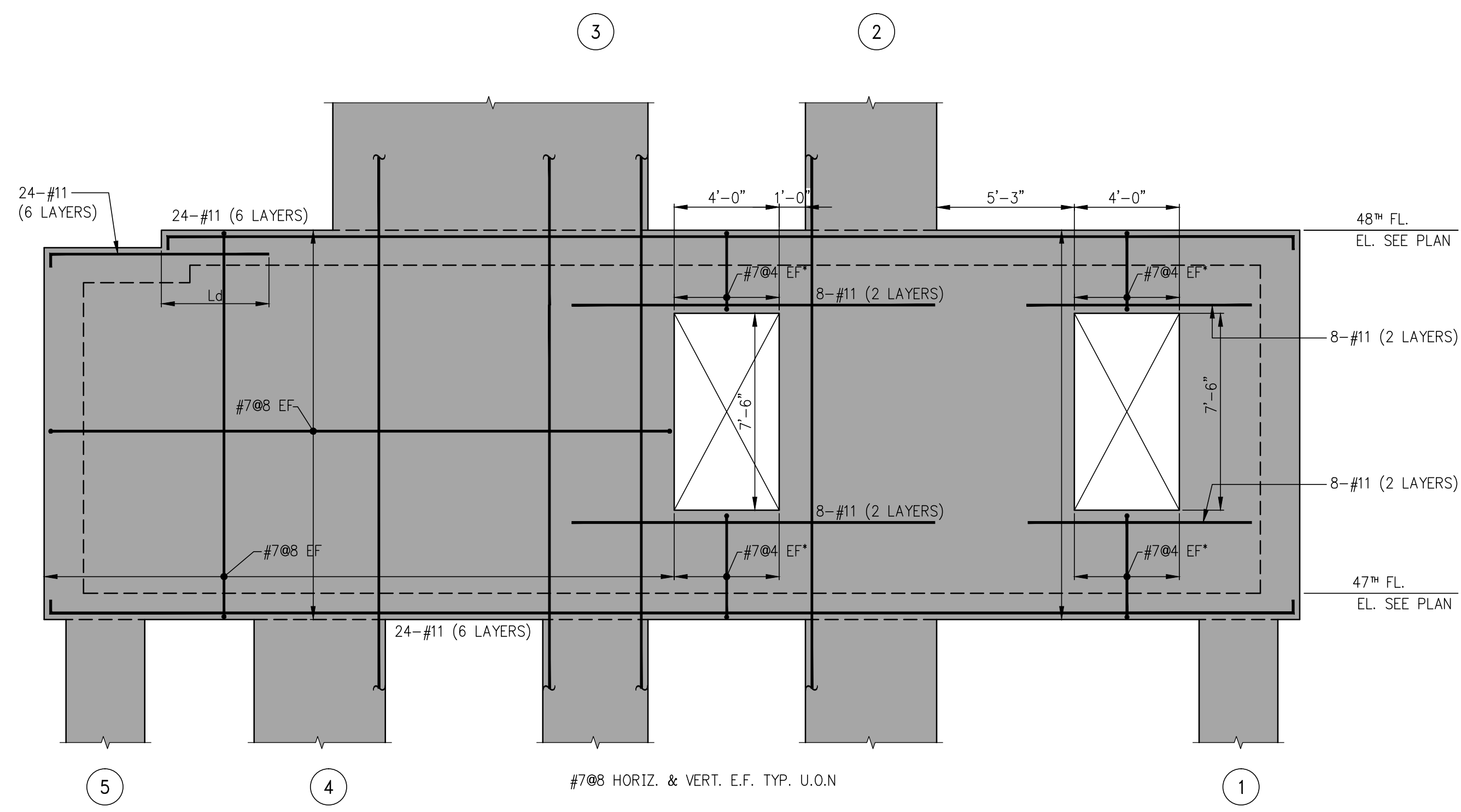
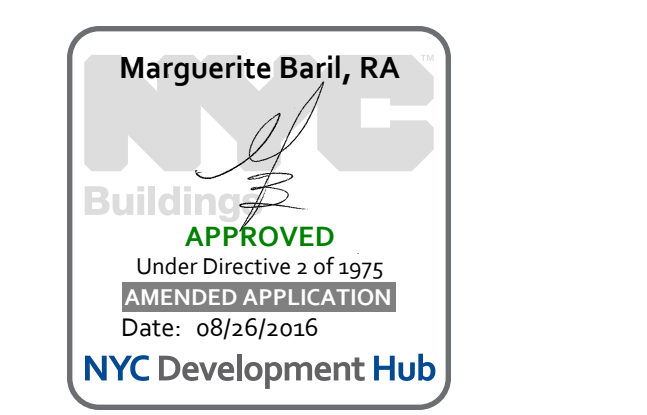
CIVIL ENGINEER:  
Philip Habib & Associates  
102 MADISON AVENUE, 11th FLOOR  
NEW YORK, NEW YORK 10016  
TEL: (212) 929-5656  
FAX: (212) 929-5655

DOB EXPEDITOR:  
JAM Consultants, Inc.  
104 WEST 29th STREET, 9th FLOOR  
NEW YORK, NEW YORK 10001  
TEL: (212) 244-4427  
FAX: (212) 244-4497

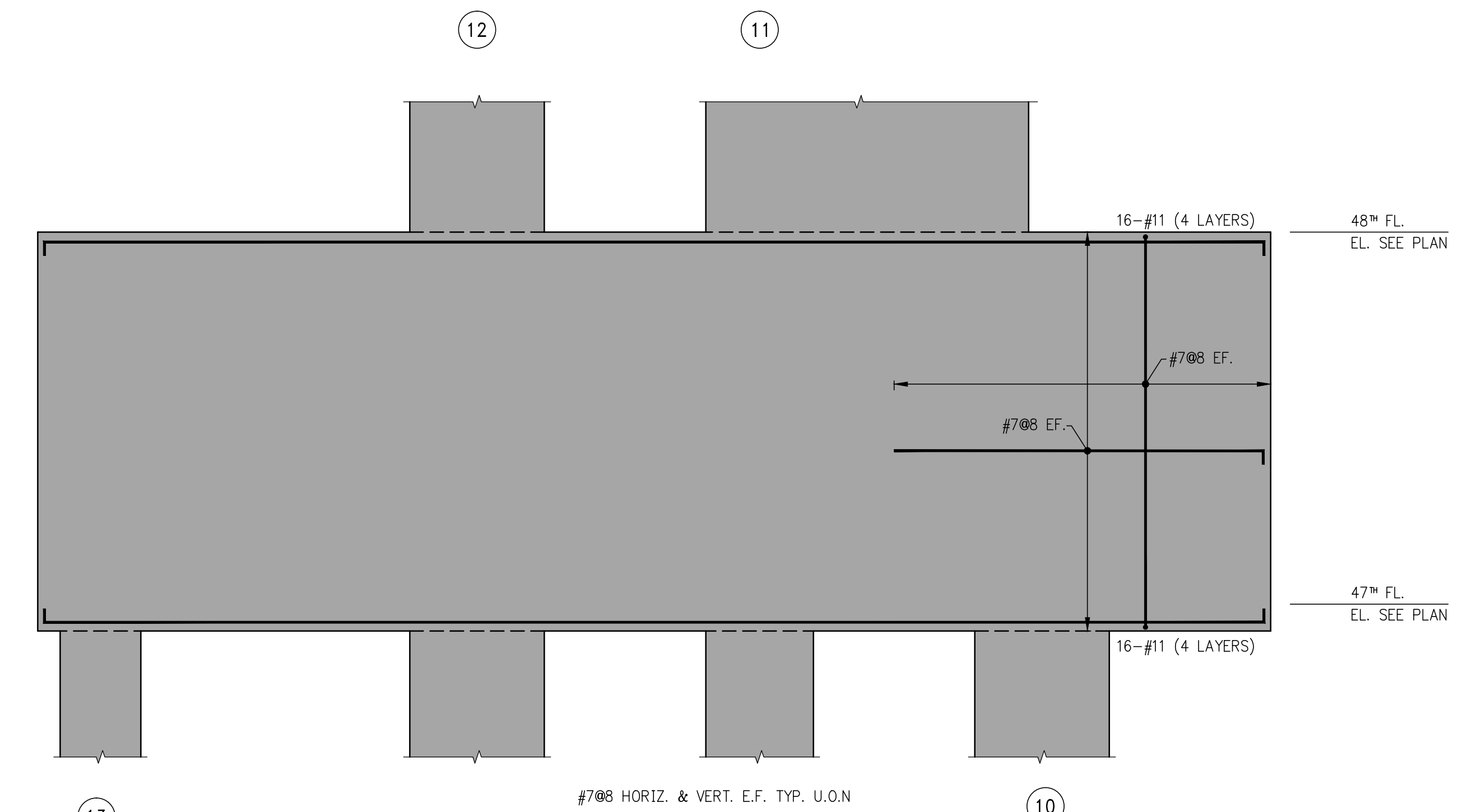
VERTICAL TRANSPORTATION CONSULTANT:  
Jenkins & Huntington, Inc.  
1251 AVENUE OF THE AMERICAS  
NEW YORK, NEW YORK 10020  
TEL: (212) 496-1818  
FAX: (212) 696-4528

ZONING CONSULTANT:  
Development Consulting Services  
330 WEST 42ND STREET  
NEW YORK, NEW YORK 10036  
TEL: (212) 714-0285  
FAX: (212) 714-0283

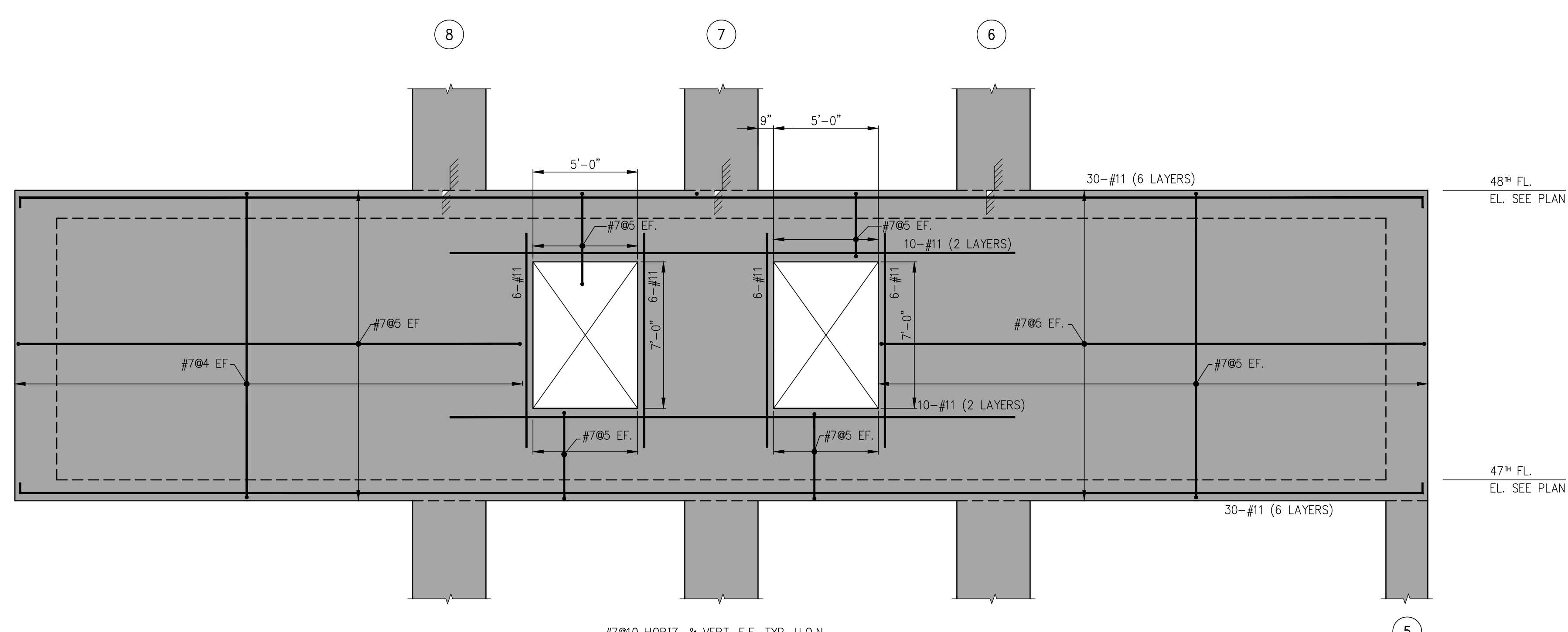
EXTERIOR WALL CONSULTANT:  
Vidaris, Incorporated  
340 PARK AVENUE SOUTH, 15th FL.  
NEW YORK, NEW YORK 10010  
TEL: (212) 689-3389



1 47TH FLOOR WEST ELEVATION  
SCALE: 3/4"=1'-0"

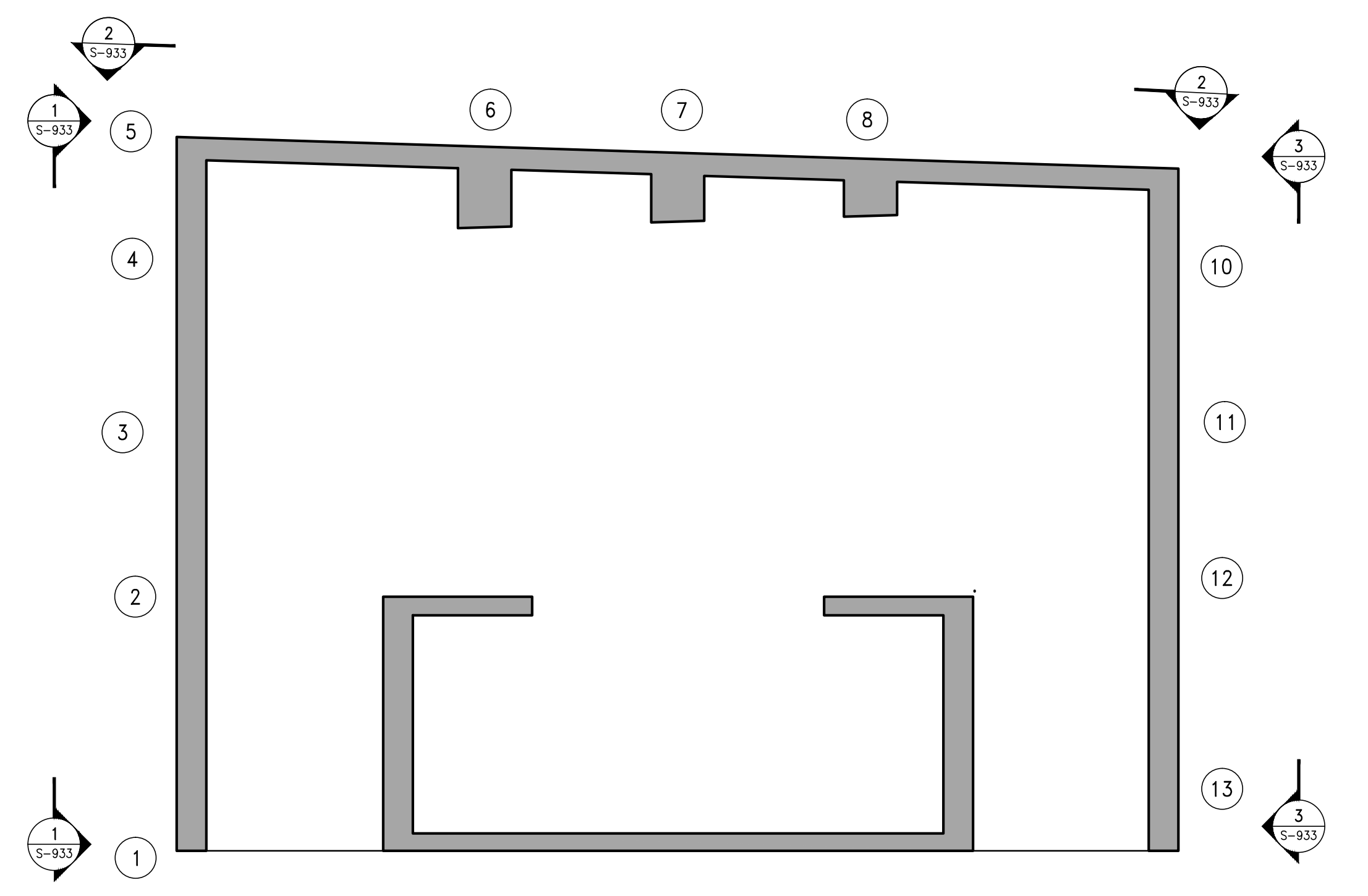


3 47TH FLOOR EAST ELEVATION  
SCALE: 3/4"=1'-0"



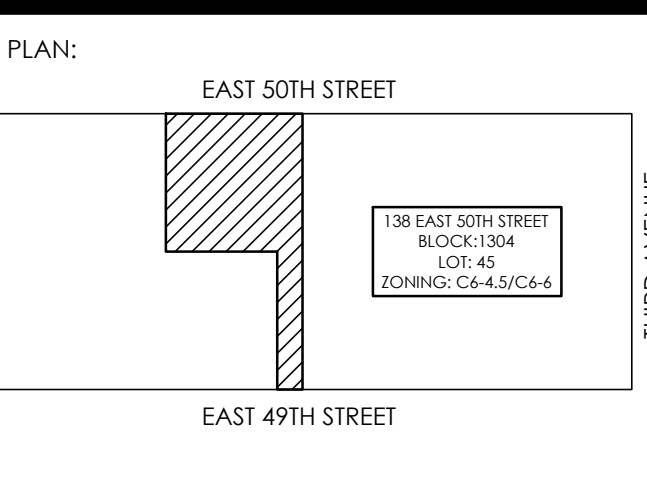
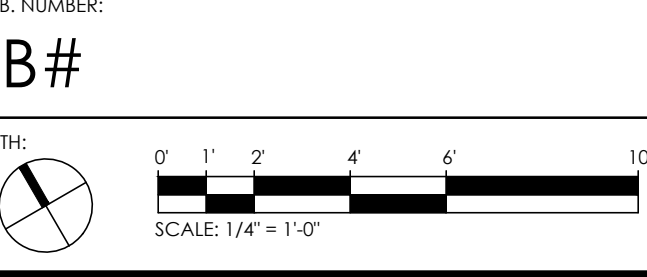
2 47TH FLOOR NORTH ELEVATION  
SCALE: 3/4"=1'-0"

NOTES:  
1. REINFORCEMENT SHOWN ON SHEARWALL ELEVATIONS IS ADDITIONAL TO REINFORCEMENT SHOWN ON SHEARWALL REINFORCEMENT PLANS (S-940)  
2. (+) INDICATES REINFORCEMENT SHOWN ON ELEVATION IS TO BE USED IN LIEU OF REINFORCEMENT SHOWN ON PLANS.  
3. SEE DRAWINGS S-945 FOR TYPICAL SHEARWALL DETAILS.



KEY PLAN

05-18-18	ISSUE TO DOB
02-10-16	REVISED SUPERSTRUCTURE
02-03-16	REVISED SUPERSTRUCTURE
11-12-15	REVISED SUPERSTRUCTURE FOR BID
09-23-15	ADDITIONAL 1 FLOOR SET
08-03-15	ISSUE FOR SUPERSTRUCTURE BID
DATE:	REVISION:



PROJECT:  
138 EAST 50TH STREET  
NEW YORK, N.Y.

DRAWING TITLE:  
SHEARWALL ELEVATIONS 4

SEAL & SIGNATURE: [Signature] DATE: 05/14/2015  
PROJECT No.: 1990031  
DRAWN BY: CASO  
CHECKED BY: CS  
DWG. No.: S-933.00  
SHEET No.: 4 of 0

PROJECT:  
138 EAST 50TH ST.  
NEW YORK, NY

OWNER/DEVELOPER:  
CERUZZI PROPERTIES, LLC  
400 PARK AVENUE, 5th FLOOR  
NEW YORK, NY 10022  
TEL: (212) 900-1700

ARCHITECT OF RECORD:  
SLCEArchitects, LLP  
1359 BROADWAY, 14th FLOOR  
NEW YORK, NY 10018  
TEL: (212) 979-8400  
FAX: (212) 979-8387

DESIGN ARCHITECT:  
Pelli Clarke Pelli Architects  
322 EIGHTH AVENUE  
NEW YORK, NY 10001  
TEL: (212) 417-9494  
FAX: (212) 417-9497

STRUCTURAL ENGINEER:  
WSP  
228 East 45th St.  
New York, NY 10017  
(212) 687-9888  
www.wspgroup.com/usa

M.E.P. ENGINEER:  
MGE  
MGE Engineering D.P.C. is an engineer success  
115 West 126th Street, 12th Floor, New York, NY 10001  
P: (212) 633-1000 F: (212) 633-0500 www.mgepc.net

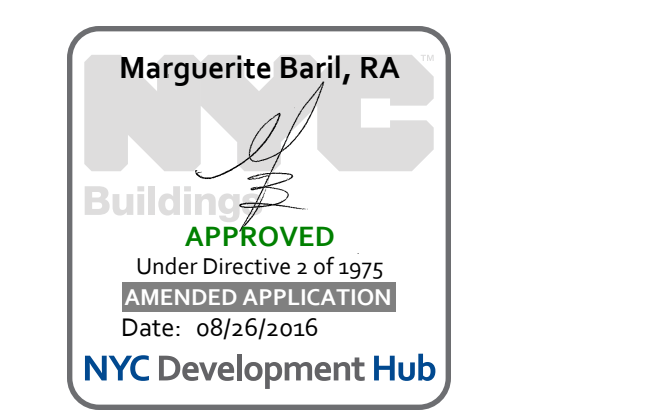
CIVIL ENGINEER:  
Philip Habib & Associates  
102 MADISON AVENUE, 11TH FLOOR  
NEW YORK, NEW YORK 10016  
TEL: (212) 929-5656  
FAX: (212) 929-5655

DOB EXPEDITOR:  
JAM Consultants, Inc.  
104 WEST 29th STREET, 9th FLOOR  
NEW YORK, NEW YORK 10001  
TEL: (212) 244-4427  
FAX: (212) 244-4497

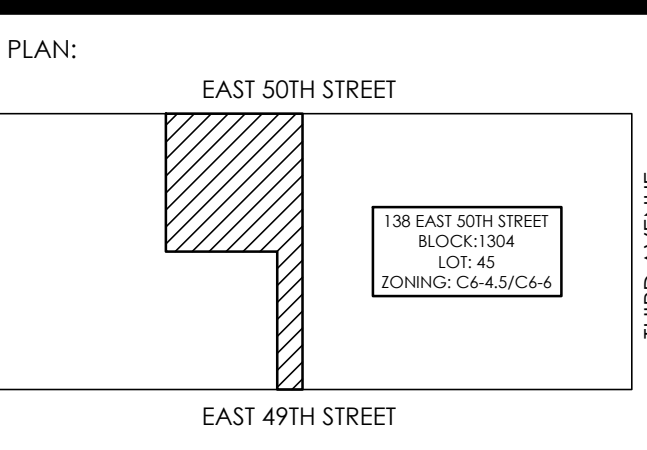
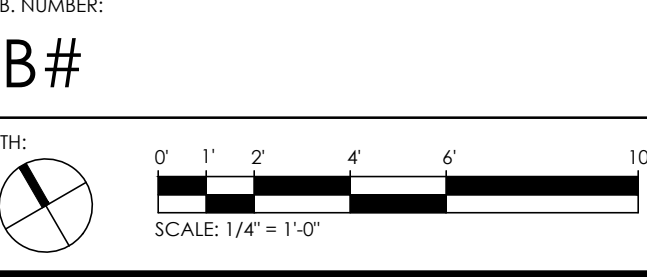
VERTICAL TRANSPORTATION CONSULTANT:  
Jenkins & Huntington, Inc.  
1251 AVENUE OF THE AMERICAS  
NEW YORK, NEW YORK 10020  
TEL: (212) 496-1818  
FAX: (212) 696-4528

ZONING CONSULTANT:  
Development Consulting Services  
330 WEST 42ND STREET  
NEW YORK, NEW YORK 10036  
TEL: (212) 714-0285  
FAX: (212) 714-0283

EXTERIOR WALL CONSULTANT:  
Vidaris, Incorporated  
340 PARK AVENUE SOUTH, 15TH FL.  
NEW YORK, NEW YORK 10010  
TEL: (212) 689-3389



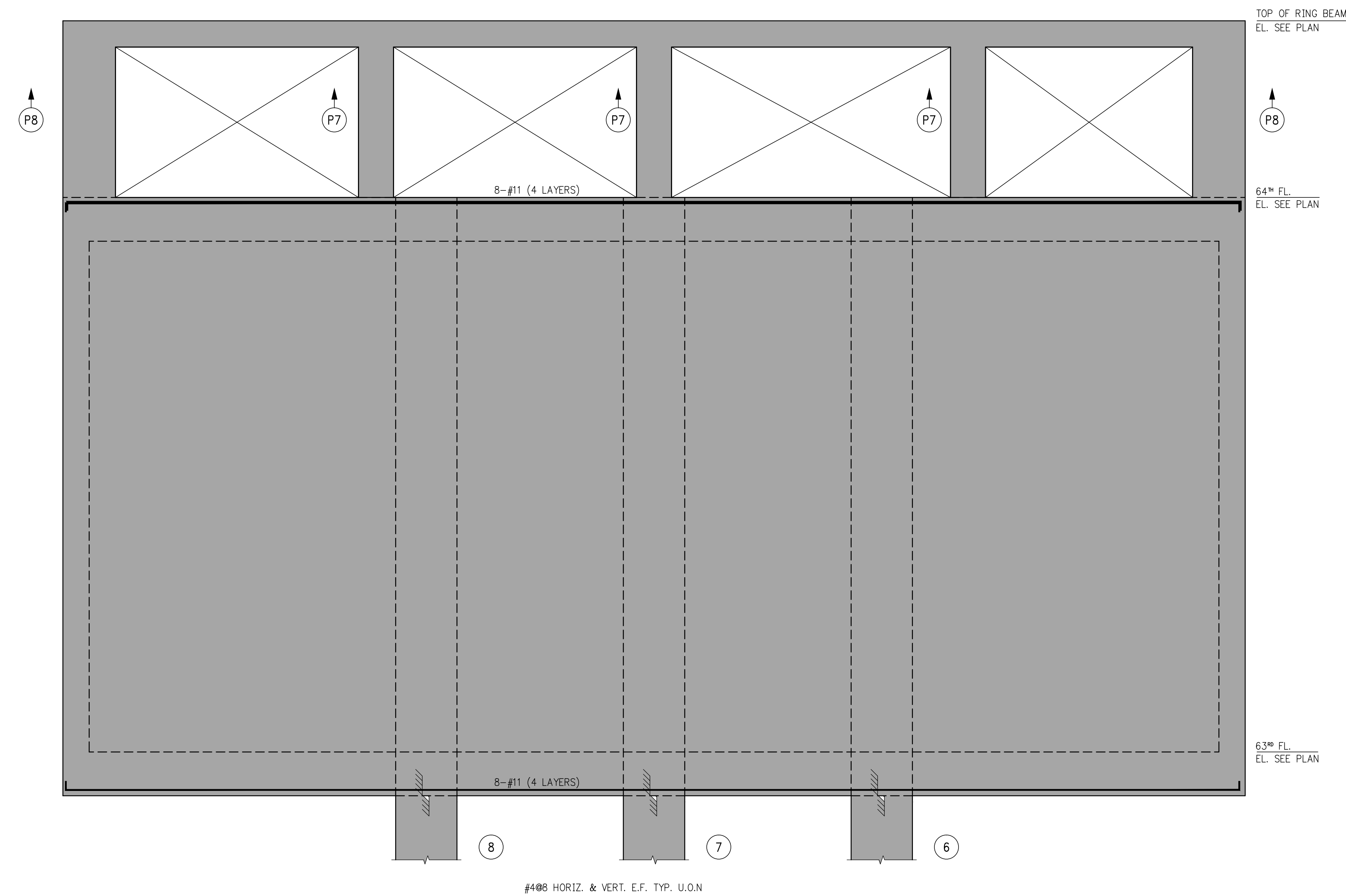
05-18-18	ISSUE TO DOB
02-18-18	REVISED SUPERSTRUCTURE
02-03-18	REVISED SUPERSTRUCTURE
11-17-15	REVISED SUPERSTRUCTURE FOR BID
09-25-15	ADDITIONAL 1 PRICING SET
08-03-15	ISSUE FOR SUPERSTRUCTURE BID
DATE:	REVISION:



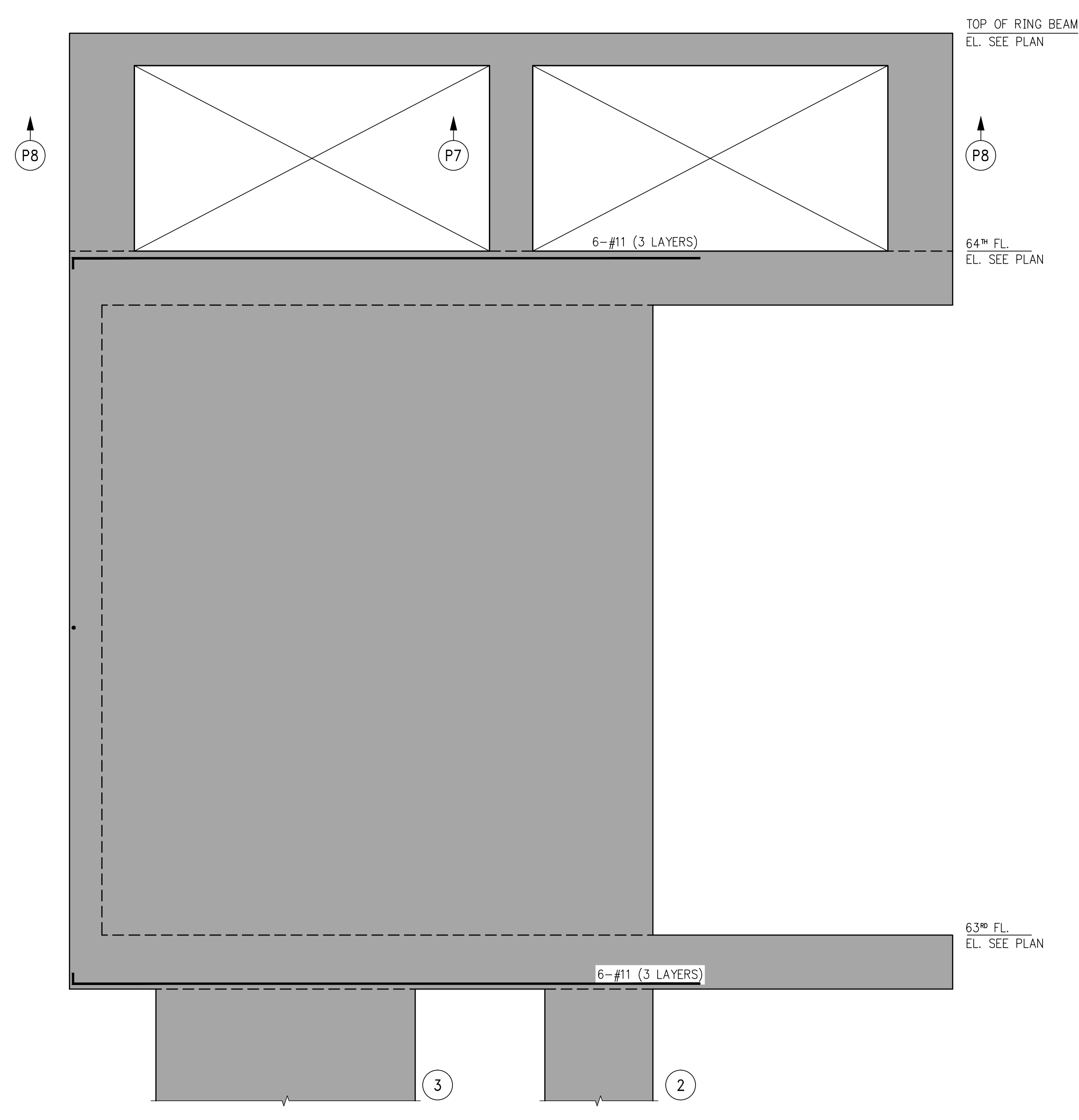
PROJECT:  
138 EAST 50TH STREET  
NEW YORK, N.Y.

DRAWING TITLE:  
SHEARWALL ELEVATIONS(S)

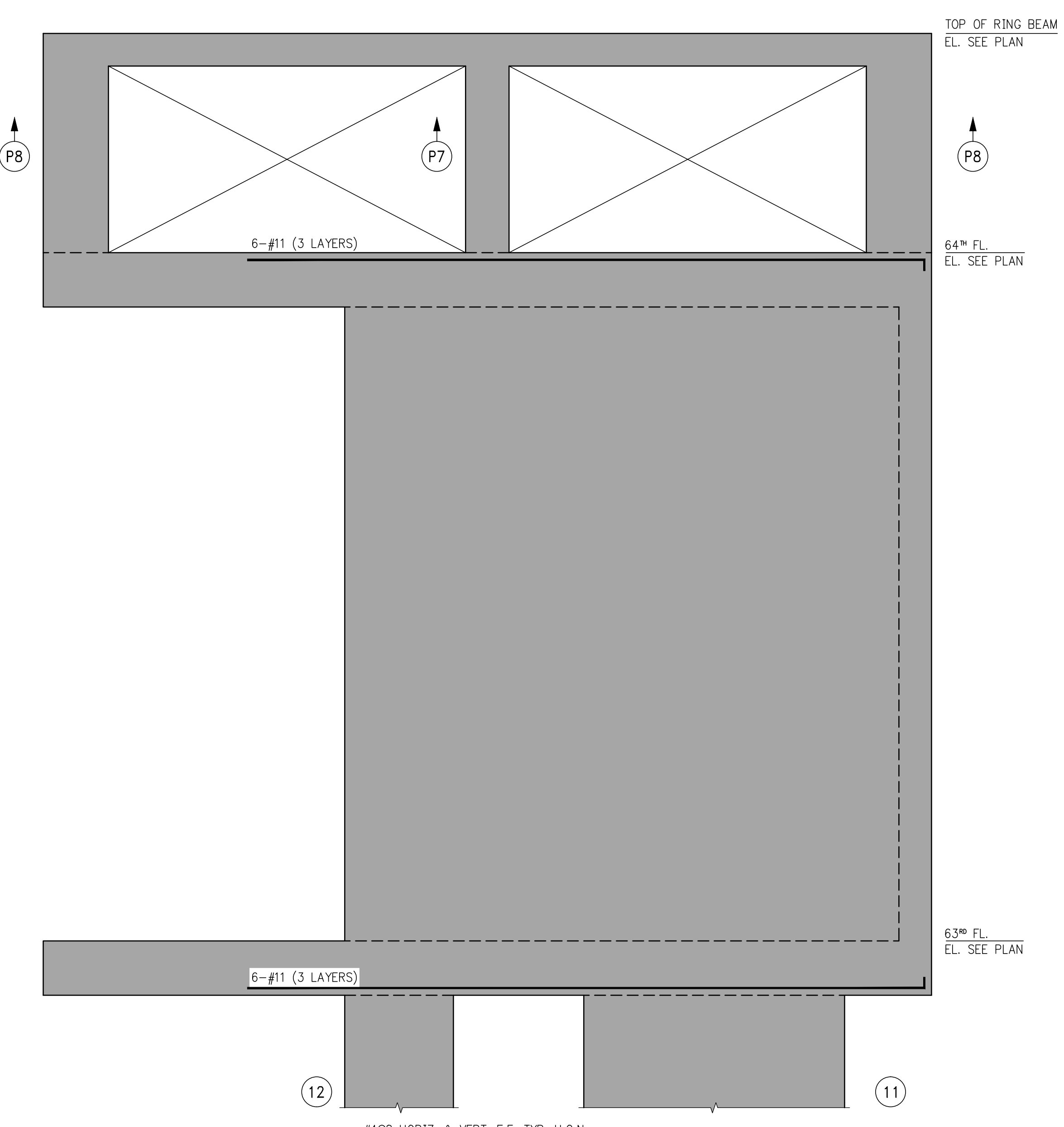
SEAL & SIGNATURE: [Signature] DATE: 05/14/2015  
PROJECT No.: 1990031  
DRAWN BY: CASO  
CHECKED BY: CS  
DWG. No.: S-934.00  
SHEET No.: of 0



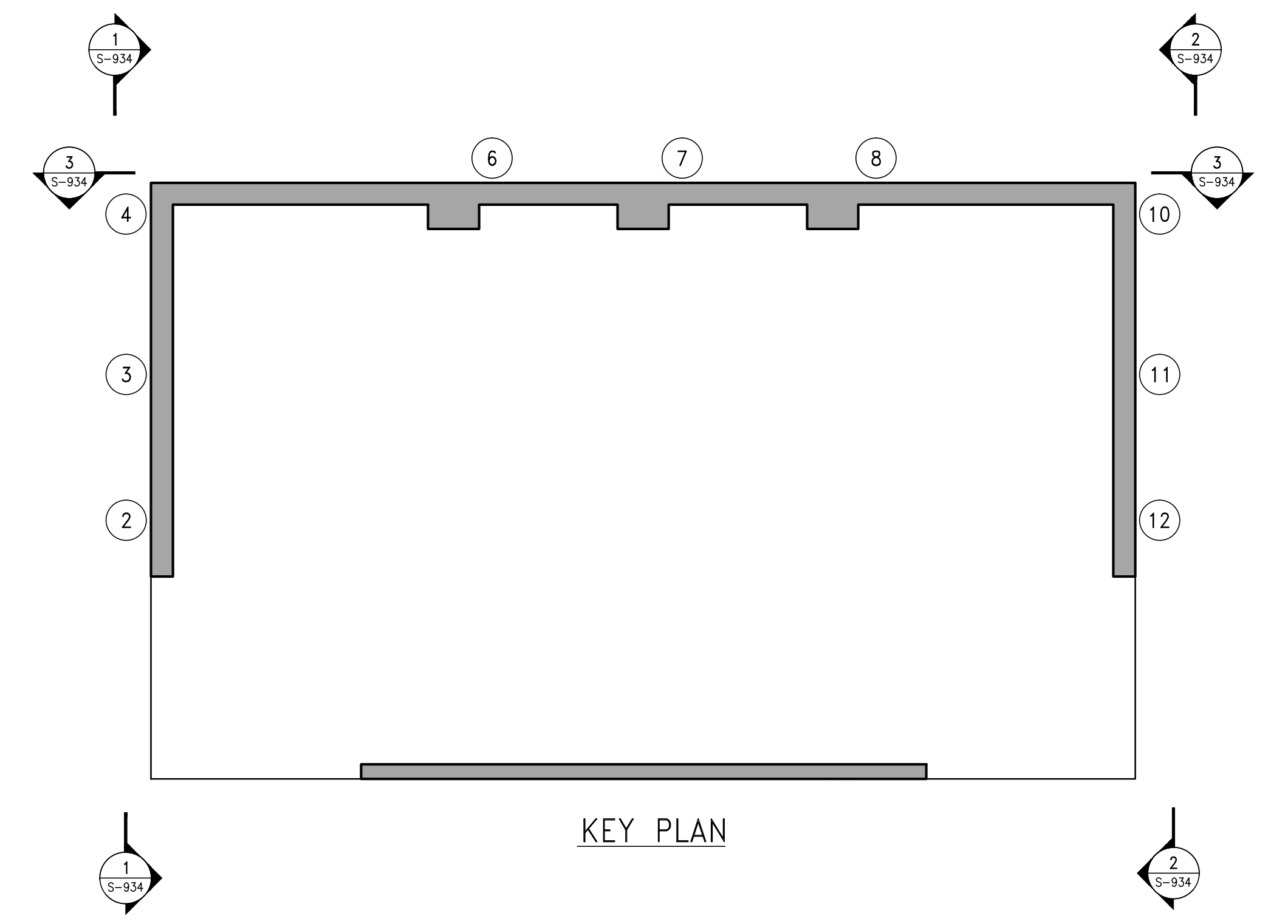
3 62<sup>ND</sup> TOP OF BUILDING NORTH ELEVATION  
SCALE: 1/4"=1'-0"



1 62<sup>ND</sup> TOP OF BUILDING WEST ELEVATION  
SCALE: 1/4"=1'-0"



2 62<sup>ND</sup> TOP OF BUILDING EAST ELEVATION  
SCALE: 1/4"=1'-0"



- NOTES:
1. REINFORCEMENT SHOWN ON SHEARWALL ELEVATIONS IS ADDITIONAL TO REINFORCEMENT SHOWN ON SHEARWALL REINFORCEMENT PLANS (S-940)
  2. (+) INDICATES REINFORCEMENT SHOWN ON ELEVATION IS TO BE USED IN LIEU OF REINFORCEMENT SHOWN ON PLANS.
  3. SEE DRAWINGS S-945 FOR TYPICAL SHEARWALL DETAILS.

138 EAST 50TH ST. NEW YORK, NY

OWNER/DEVELOPER: CERUZZI PROPERTIES, LLC 400 PARK AVENUE, 5TH FLOOR NEW YORK, NY 10022 TEL: (212) 300-1700

ARCHITECT OF RECORD: SLCEArchitects, LLP 1359 BROADWAY, 14TH FLOOR NEW YORK, NY 10018 TEL: (212) 979-8400 FAX: (212) 979-8387

DESIGN ARCHITECT: Pelli Clarke Pelli Architects 322 EIGHTH AVENUE NEW YORK, NY 10001 TEL: (212) 417-9494 FAX: (212) 417-9497

STRUCTURAL ENGINEER: WSP 228 East 45th St. New York, NY 10017 (212) 687-9888 www.wspgroup.com/usa

M.E.P. ENGINEER: MGE MGE Engineering D.P.C., Inc. 115 West 32nd Street, 12th Floor, New York, NY 10001 P: (212) 683-0555 F: (212) 683-0550 www.mgepc.net

CIVIL ENGINEER: Philip Habib & Associates 102 MADISON AVENUE, 11TH FLOOR NEW YORK, NEW YORK 10016 TEL: (212) 929-5656 FAX: (212) 929-5655

DOB EXPEDITOR: JAM Consultants, Inc. 104 WEST 29TH STREET, 9TH FLOOR NEW YORK, NEW YORK 10001 TEL: (212) 244-4427 FAX: (212) 244-4497

VERTICAL TRANSPORTATION CONSULTANT: Jenkins & Huntington, Inc. 1251 AVENUE OF THE AMERICAS NEW YORK, NEW YORK 10020 TEL: (212) 696-1818 FAX: (212) 696-4528

ZONING CONSULTANT: Development Consulting Services 330 WEST 42ND STREET NEW YORK, NEW YORK 10036 TEL: (212) 714-0285 FAX: (212) 714-0283

EXTERIOR WALL CONSULTANT: Vidaris, Incorporated 340 PARK AVENUE SOUTH, 15TH FL. NEW YORK, NEW YORK 10010 TEL: (212) 687-3389

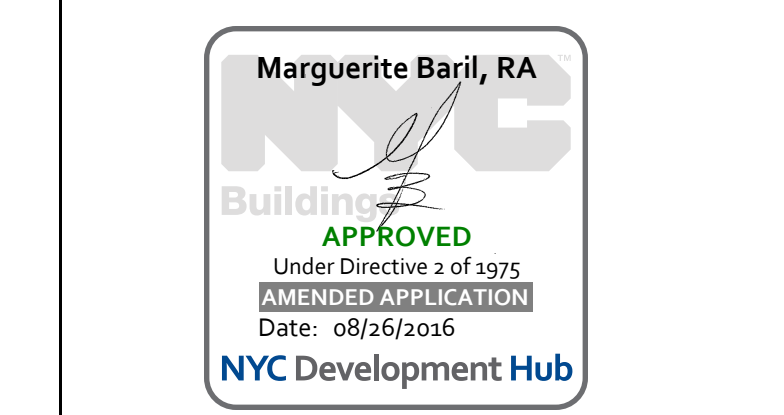
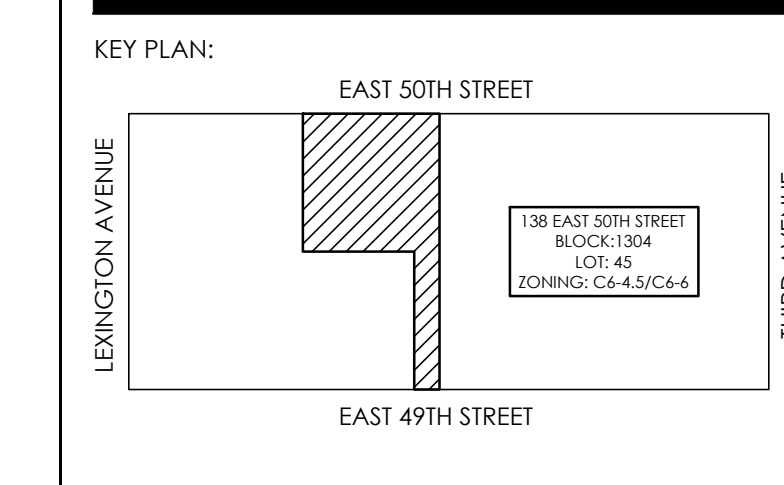
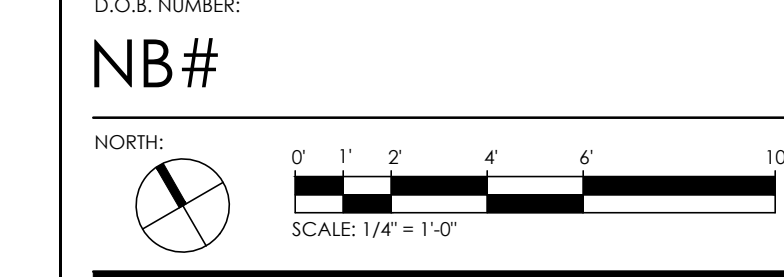


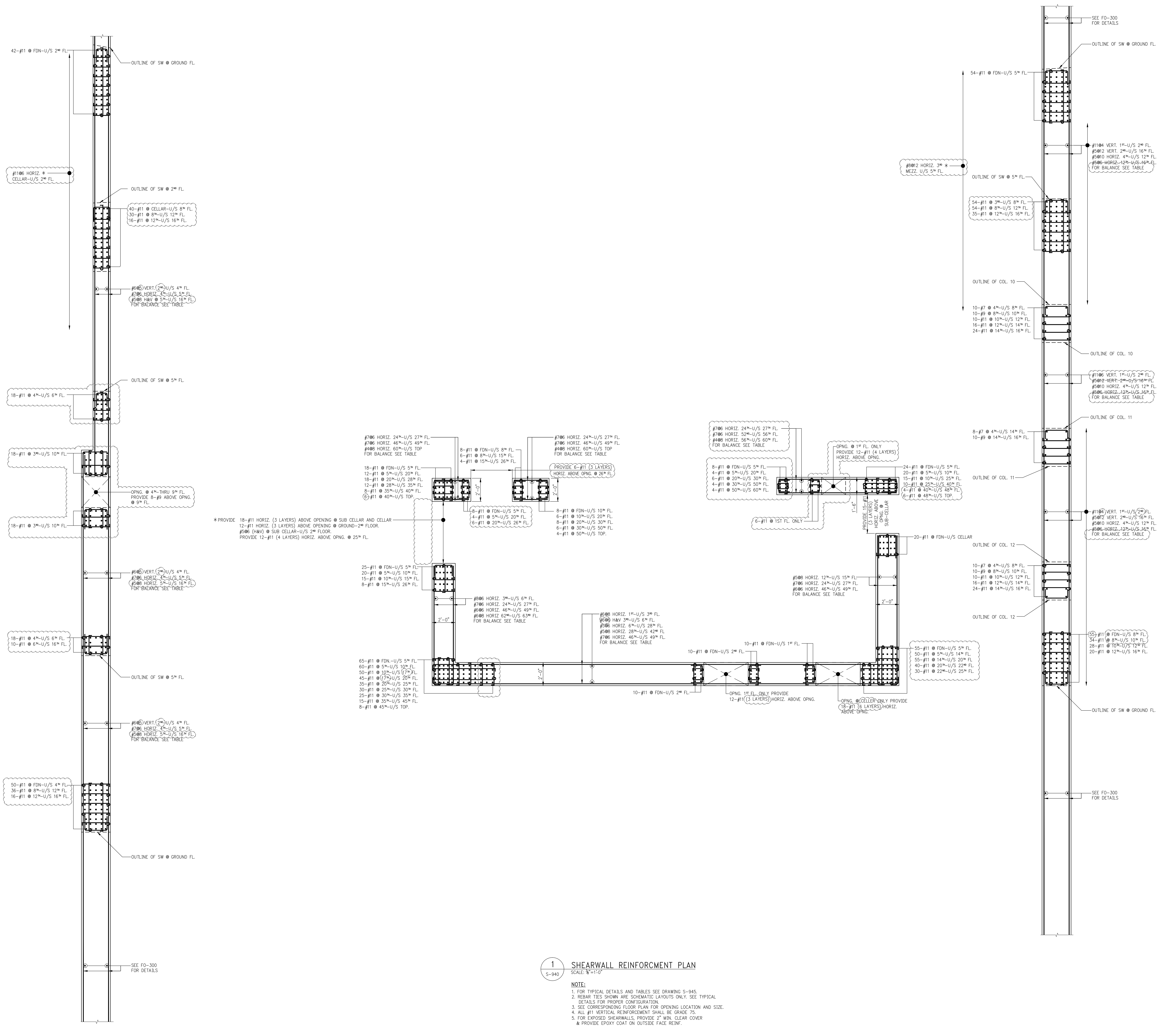
Table with 2 columns: Issue Number and Description. Includes dates like 03-18-16 and 02-10-16.



PROJECT: 138 EAST 50TH STREET NEW YORK, N.Y.

DRAWING TITLE: SHEARWALL REINFORCEMENT PLAN

SEAL & SIGNATURE: DATE: 05/14/2015 PROJECT No.: 1990301 DRAWN BY: CASO CHECKED BY: CS DWG. No.: S-940.00 SHEET No.: 1 of 0



1 SHEARWALL REINFORCEMENT PLAN SCALE: 3/8"=1'-0"

- NOTE: 1. FOR TYPICAL DETAILS AND TABLES SEE DRAWING S-945. 2. REBAR TIES SHOWN ARE SCHEMATIC LAYOUTS ONLY. SEE TYPICAL DETAILS FOR PROPER CONFIGURATION. 3. SEE CORRESPONDING FLOOR PLAN FOR OPENING LOCATION AND SIZE. 4. ALL #11 VERTICAL REINFORCEMENT SHALL BE GRADE 75. 5. FOR EXPOSED SHEARWALLS, PROVIDE 2" MIN. CLEAR COVER & PROVIDE EPOXY COAT ON OUTSIDE FACE REIN.





PROJECT:  
138 EAST 50TH ST.  
NEW YORK, NY

OWNER/DEVELOPER:  
CERUZZI PROPERTIES, LLC  
400 PARK AVENUE, 5th FLOOR  
NEW YORK, NY 10022  
TEL: (212) 300-1700

ARCHITECT OF RECORD:  
SLICE Architects, LLP  
1359 BROADWAY, 14th FLOOR  
NEW YORK, NY 10018  
TEL: (212) 979-8400  
FAX: (212) 979-8387

DESIGN ARCHITECT:  
Pelli Clarke Pelli Architects

322 68TH AVENUE  
NEW YORK, NY 10001  
TEL: (212) 417-9494  
FAX: (212) 417-9497

STRUCTURAL ENGINEER:  
WSP  
228 East 45th St.  
New York, NY 10017  
(212) 687-9888  
www.wspgroup.com/usa

M.E.P. ENGINEER:  
MGE  
115 West 32nd Street, 12th Floor, New York, NY 10001  
TEL: (212) 244-4427  
FAX: (212) 244-4497

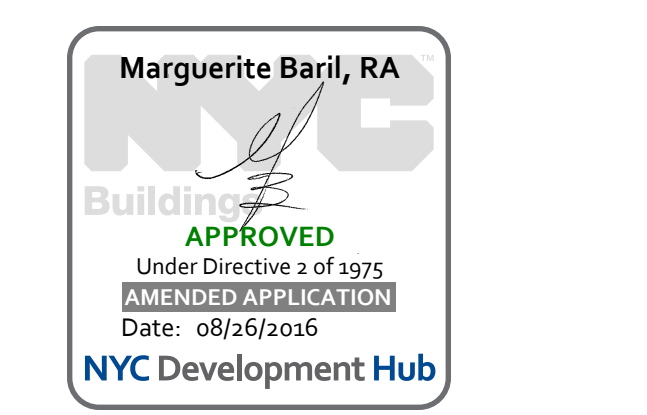
CIVIL ENGINEER:  
Philip Habib & Associates  
102 MADISON AVENUE, 11th FLOOR  
NEW YORK, NY 10016  
TEL: (212) 929-5656  
FAX: (212) 929-5655

DOB EXPEDITOR:  
JAM Consultants, Inc.  
104 WEST 29th STREET, 9th FLOOR  
NEW YORK, NY 10001  
TEL: (212) 244-4427  
FAX: (212) 244-4497

VERTICAL TRANSPORTATION CONSULTANT:  
Jenkins & Huntington, Inc.  
1251 AVENUE OF THE AMERICAS  
NEW YORK, NY 10020  
TEL: (212) 696-1818  
FAX: (212) 696-4528

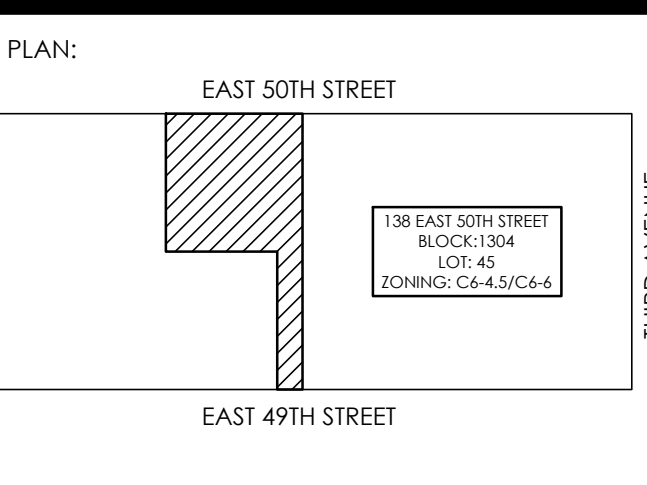
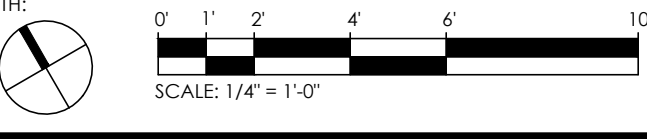
ZONING CONSULTANT:  
Development Consulting Services  
330 WEST 42ND STREET  
NEW YORK, NY 10018  
TEL: (212) 714-0285  
FAX: (212) 714-0283

EXTERIOR WALL CONSULTANT:  
Vidaris, Incorporated  
340 PARK AVENUE SOUTH, 15th FL.  
NEW YORK, NY 10010  
TEL: (212) 689-5389



03-18-16	ISSUE TO DOB
02-10-16	REVISED SUPERSTRUCTURE
02-08-16	REVISED FOUNDATION FOR CONSTRUCTION
02-03-16	REVISED SUPERSTRUCTURE
02-03-16	REVISED FOUNDATION FOR CONSTRUCTION
01-17-16	REVISED SUPERSTRUCTURE FOR BID
09-30-15	ISSUE TO IA
09-10-15	REVISED FOUNDATION
09-21-15	ADDENDUM 1 PRICING SET
08-21-15	ISSUE FOR SUPERSTRUCTURE BID
06-26-15	ISSUE FOR FOUNDATION BID
DATE:	REVISION:

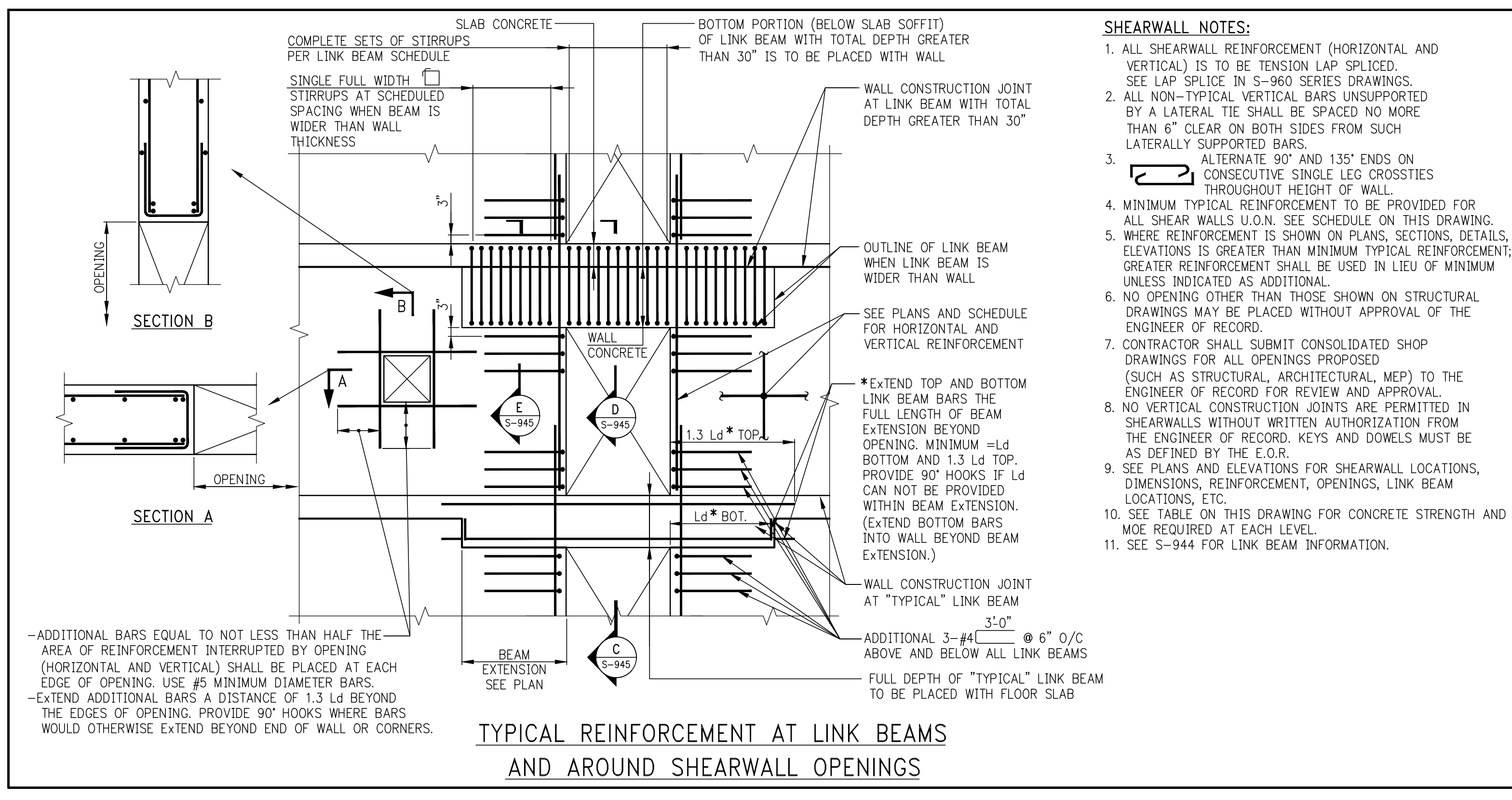
DOB NUMBER:  
NB#



PROJECT:  
138 EAST 50TH STREET  
NEW YORK, N.Y.

DRAWING TITLE:  
TYPICAL SHEARWALL DETAILS

SEAL & SIGNATURE:  
DATE: 05/14/2015  
PROJECT No.: 1599031  
DRAWN BY: CASO  
CHECKED BY: CS  
DWG. No.: S-945.00  
SHEET No.: of 0



**\*TYPICAL MINIMUM SHEARWALL REINFORCEMENT**

WALL THICKNESS (INCHES)	HORIZONTAL AND VERTICAL EACH FACE
UP TO 12	#4@12
12 + TO 16	#4@10
16 + TO 20	#5@12
20 + TO 24	#5@10
24 + TO 28	#5@12
28 + TO 34	#5@10
34 + TO 40	#7@12
40 + TO 48	#7@10

**SHEARWALL TIE SCHEDULE**

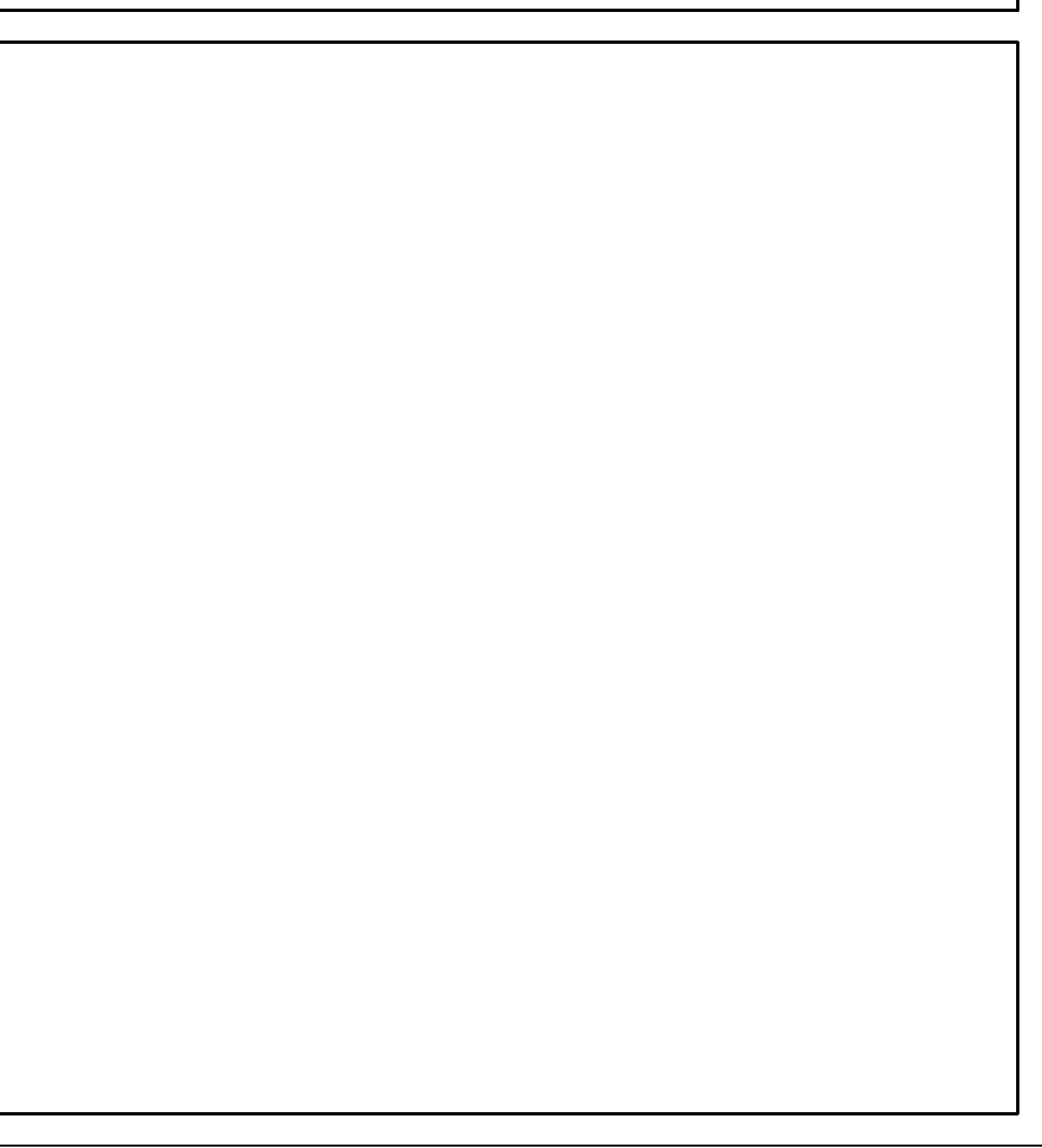
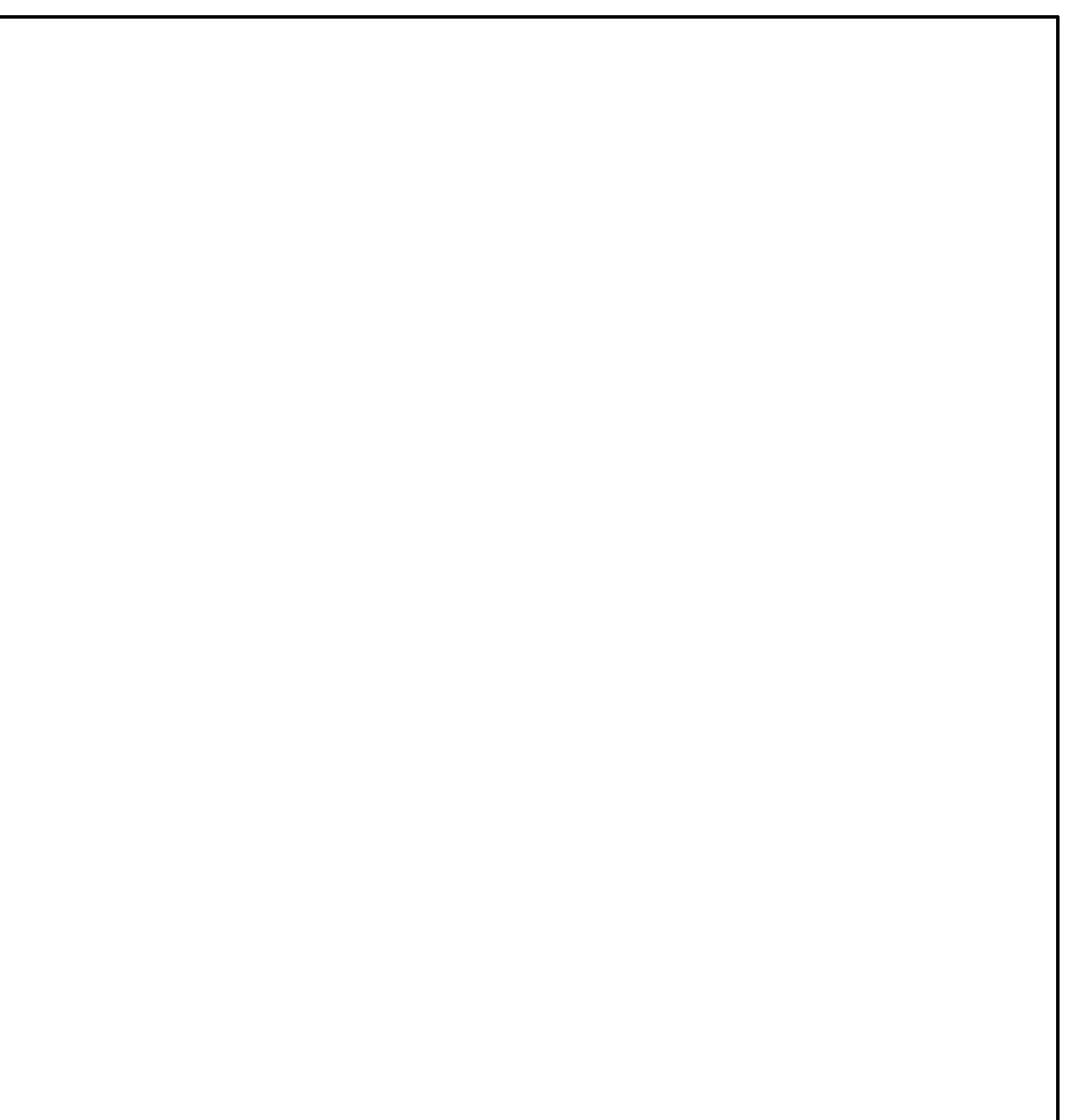
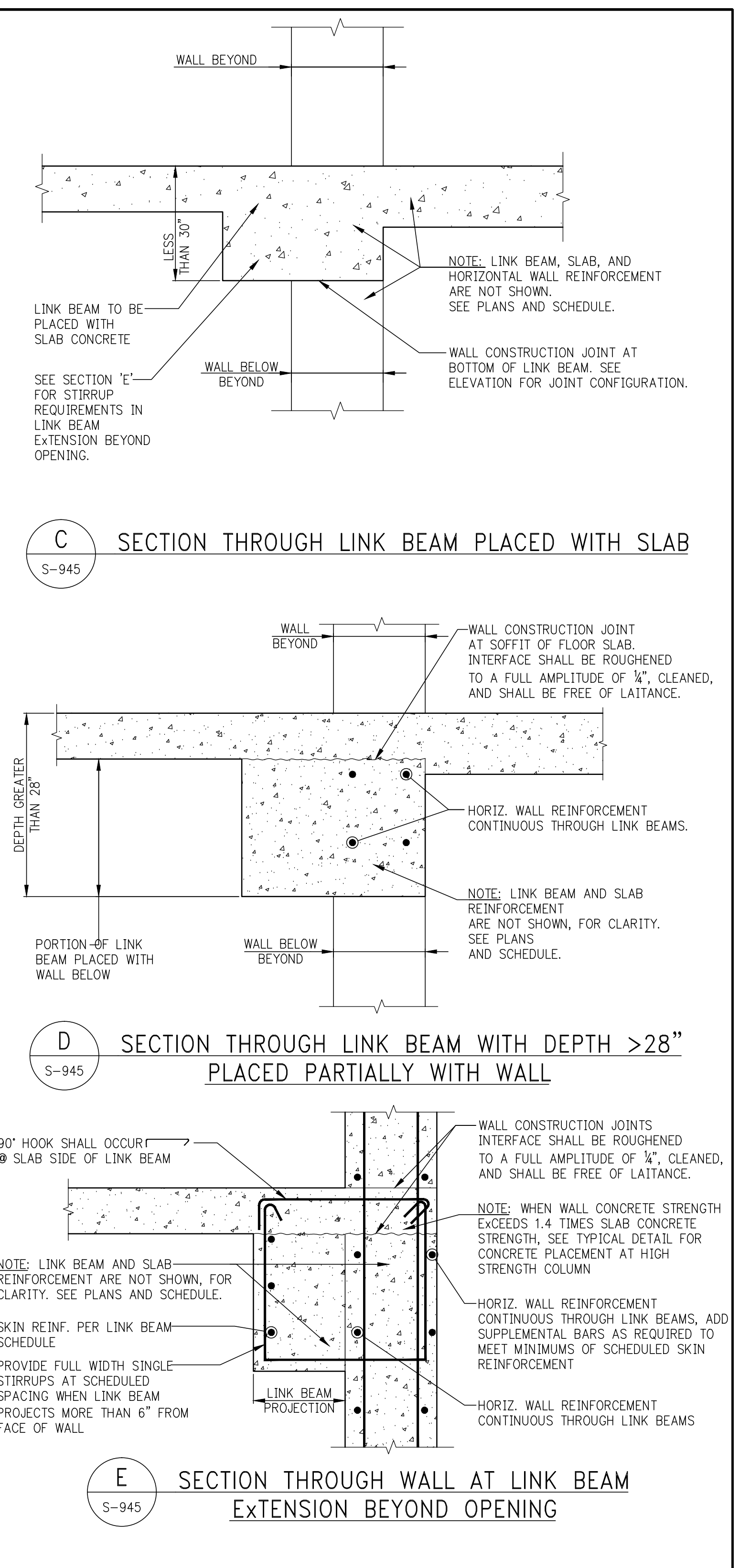
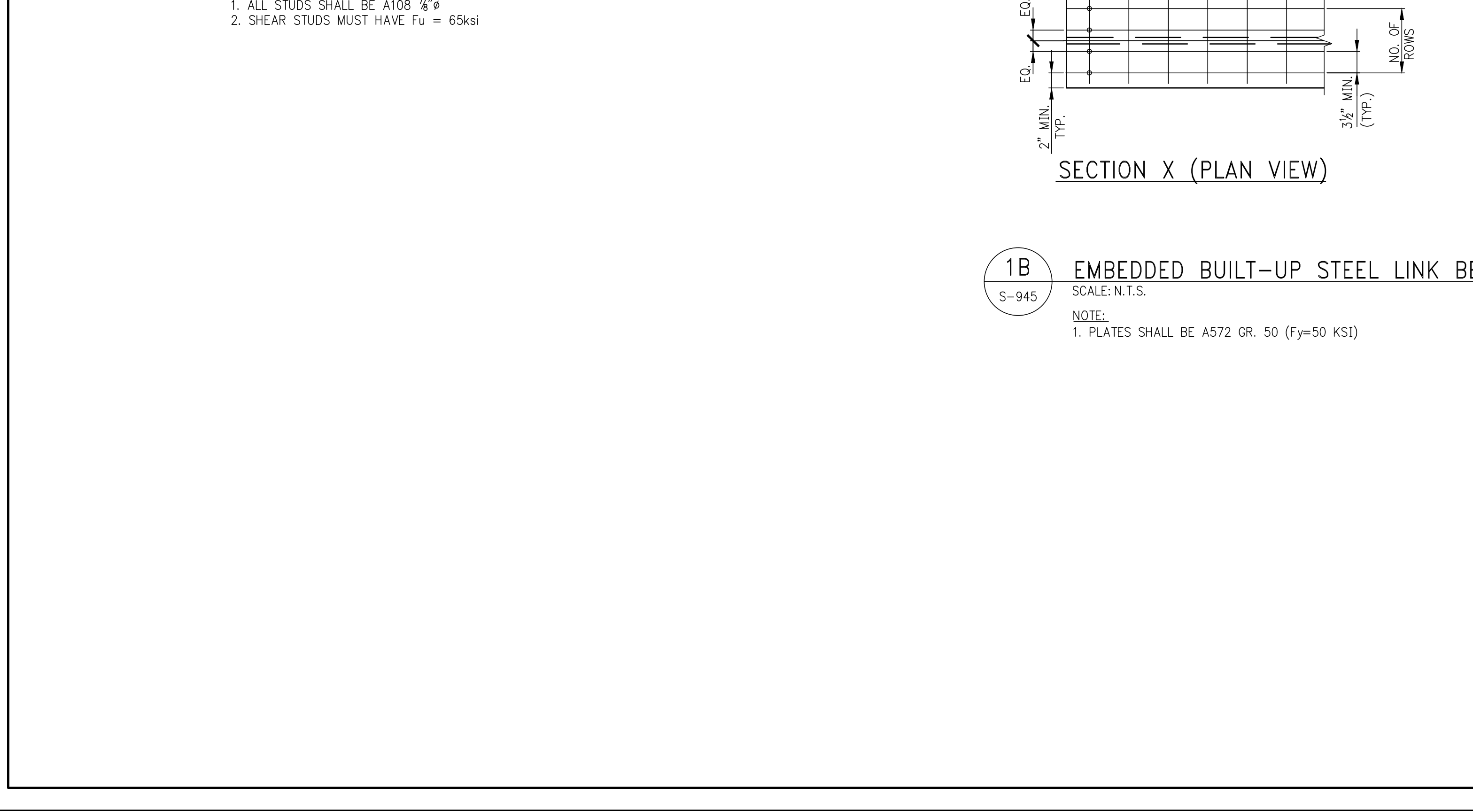
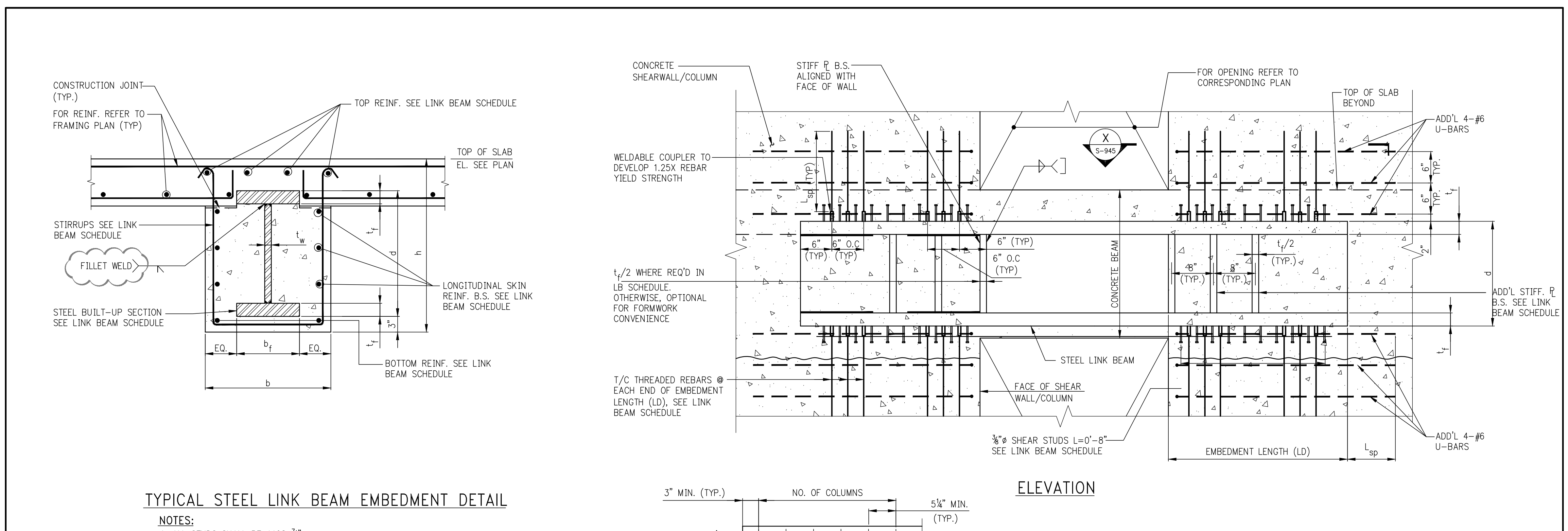
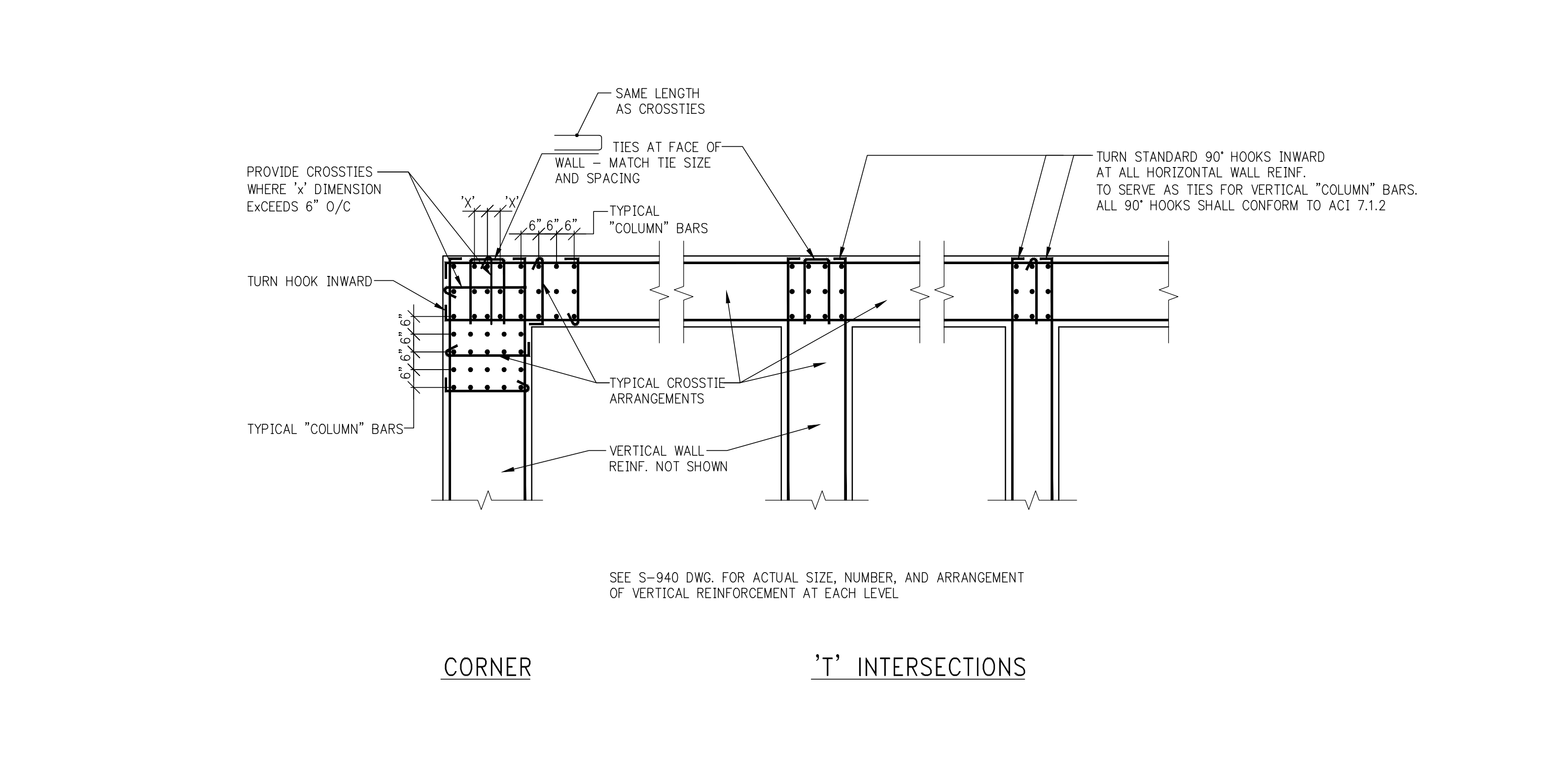
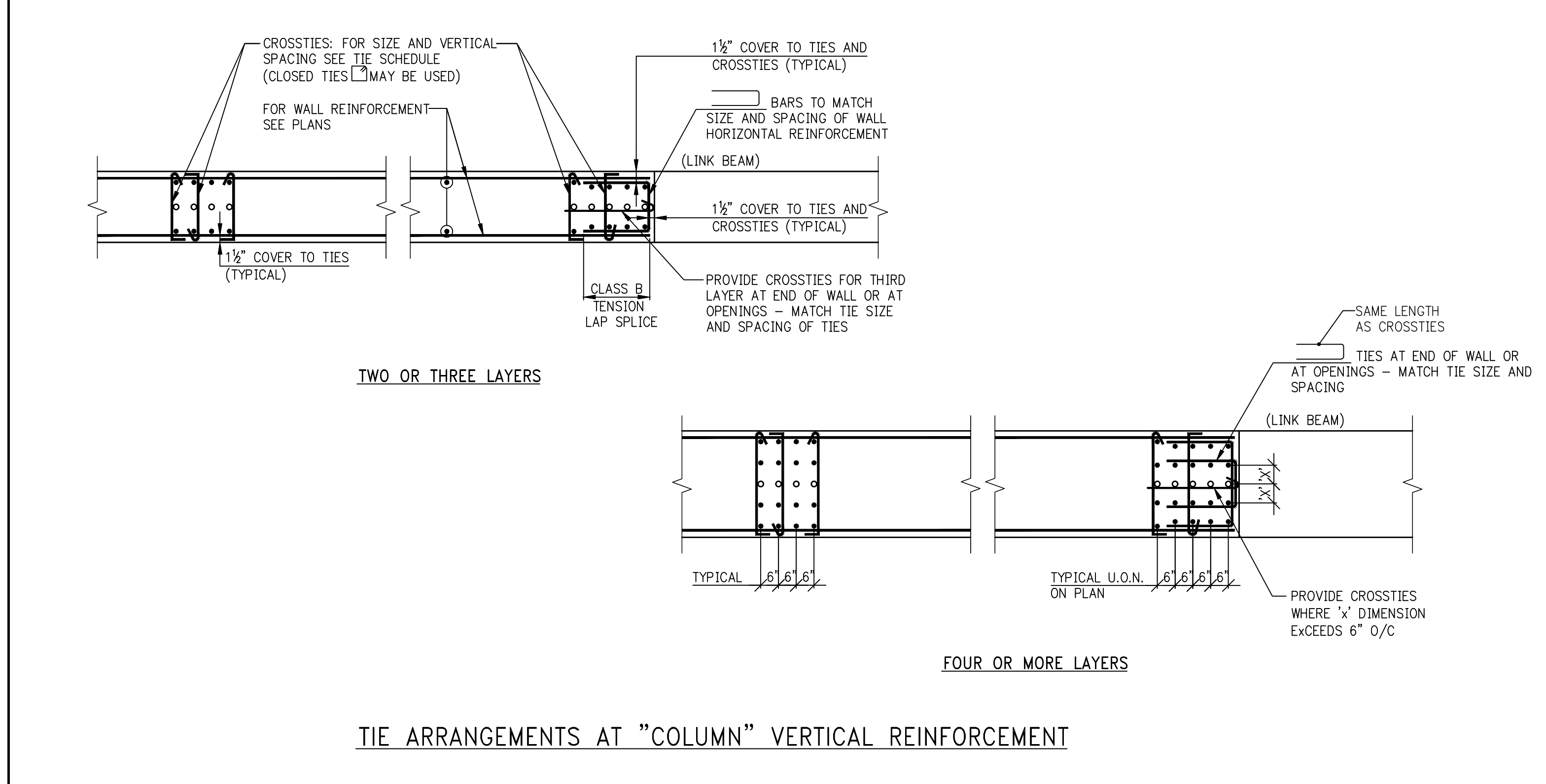
NON-TYPICAL VERTICAL BAR SIZE	#4 TIES VERTICAL SPACING(S), BUT NOT TO EXCEED WALL THICKNESS (INCHES)
#6	12
#7	14
#8	16
#9	18
#10	20
#11	22

**SHEARWALL CONCRETE MINIMUM REQUIREMENTS**

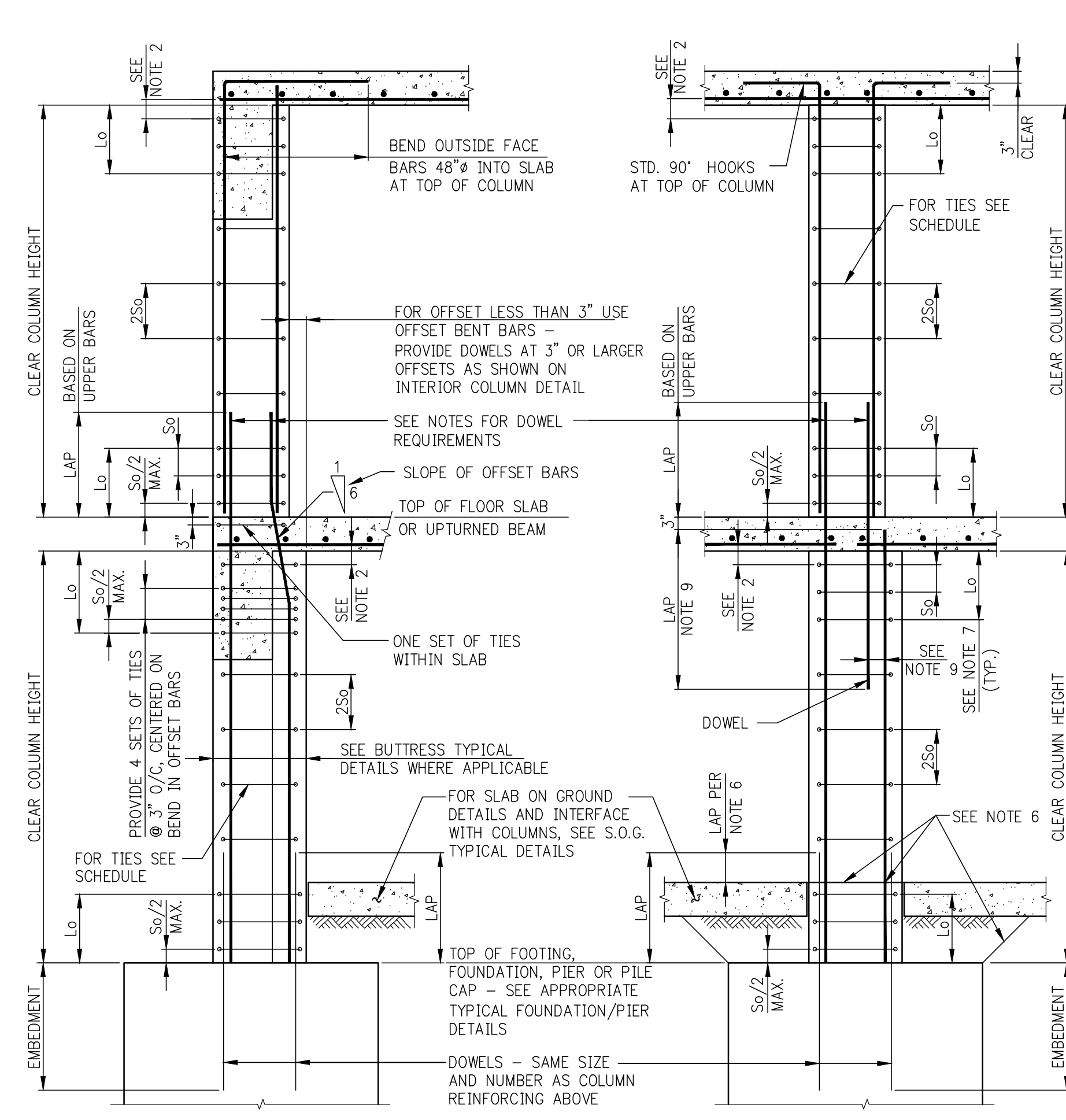
FLOOR	COMPRESSIVE STRENGTH f'c (ksi)	MODULUS OF ELASTICITY E (ksi)
FDN-30*	14	7080
31st-49*	12	6870
50*-ROOF	10	6270

**NOTES:**  
1. LOCATE LOWEST SET OF TIES S/2 ABOVE TOP OF SLAB.  
2. LOCATE TOP SET OF TIES WITHIN S/2 OF BOTTOM REINFORCEMENT IN SLAB OR LINK BEAM.

\*THE REINFORCEMENT SHOWN IN THIS TABLE IS THE MINIMUM AMOUNT THAT MUST BE PROVIDED. HEAVIER REINFORCEMENT AND "ADDITIONAL" REINFORCEMENT MAY BE CALLED FOR ON PLANS, ELEVATIONS, OR IN SECTIONS AND DETAILS.



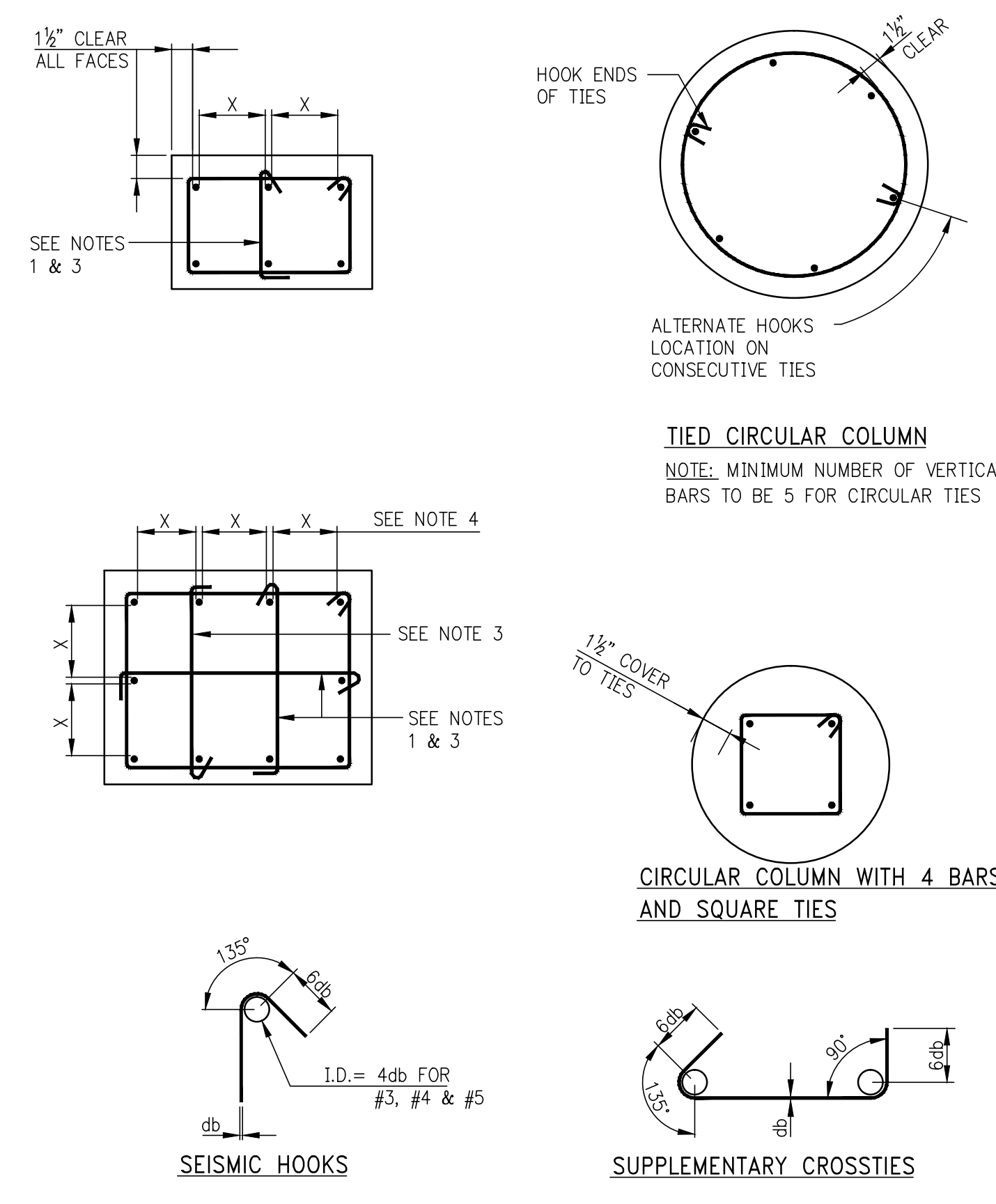




COLUMN TIE SCHEDULE	SIZE & SPACING (S <sub>o</sub> ) OF TIES, IN INCHES. MAXIMUM SPACING NOT TO EXCEED 1/3 OF LEAST COLUMN DIMENSION OR 12". SEE NOTE B.		
	#3	#4	#5
#5	5	-	-
#6	6	-	-
#7	7	-	-
#8	8	8	-
#9	9	9	-
#10	9	10	-
#11	11	11	11
#14	12	12	12
#18	12	12	12

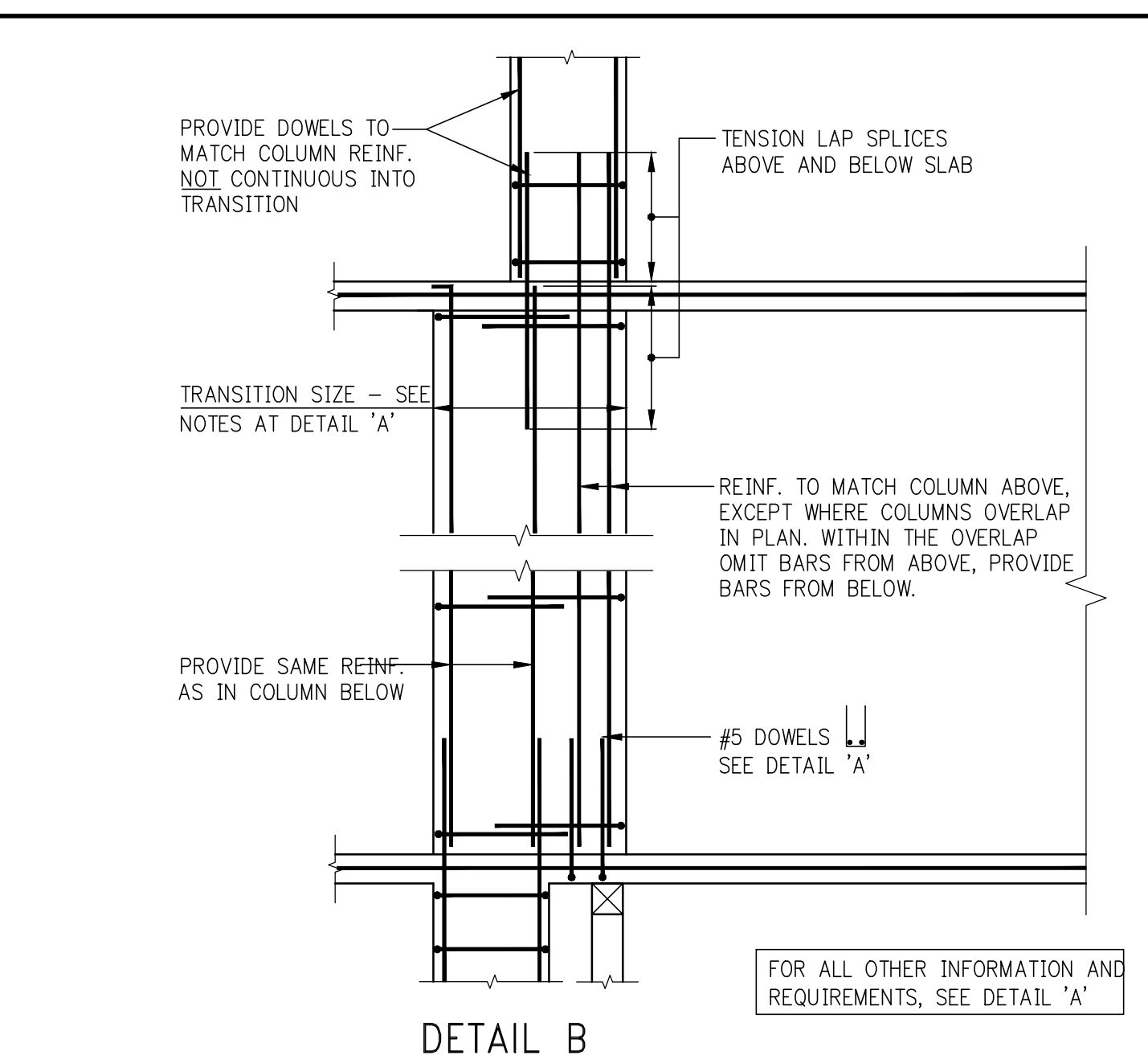
- NOTES:**
- #3 TIES NOT PERMITTED FOR #11, #14, #18 OR BUNDLED VERTICAL BARS.
  - LOCATE TOP SET OF TIES S<sub>o</sub>/2 MAXIMUM BELOW THE LOWEST HORIZONTAL REINFORCEMENT IN SLAB OR DROP PANEL. WHERE BEAMS FRAME FROM FOUR DIRECTIONS INTO COLUMN, TIES MAY TERMINATE NOT MORE THAN 3" BELOW LOWEST REINFORCEMENT IN SHALLOWEST OF SUCH BEAMS.
  - WHERE AREA OF VERTICAL REINFORCEMENT IN LOWER COLUMN IS GREATER THAN THAT OF UPPER COLUMN, EXTEND AREA OF REINFORCEMENT AT LEAST EQUAL TO THAT OF UPPER COLUMN.
  - WHERE AREA OF REINFORCEMENT IN LOWER COLUMN IS LESS THAN THAT OF UPPER COLUMN, PROVIDE ADDITIONAL DOWELS TO MAKE UP THE DIFFERENCE.
  - ALL LAP SPLICES AND EMBEDMENTS TO BE COMPRESSION UNLESS OTHERWISE NOTED IN COLUMN SCHEDULE.
  - WHERE SLAB IS POURED OVER FOUNDATION PRIOR TO COLUMN, VERTICAL REINFORCEMENT AND DOWEL LAP TO START AT TOP OF SLAB.
  - LENGTH "L<sub>o</sub>" SHALL NOT BE LESS THAN 1/3 OF CLEAR HEIGHT OF COLUMN, MAXIMUM COLUMN DIMENSION, OR 18".
  - IF COLUMN REQUIRES SHEAR REINFORCEMENT, MAXIMUM SPACING OF TIES SHALL BE LIMITED TO 4/2, REQUIRED SIZE, NUMBER AND SPACING OF TIES MAY BE MORE STRINGENT THAN SHOWN IN TYPICAL DETAILS.
  - IF OFFSET OF DOWEL IS MORE THAN 6", LAP SHALL BE TWICE THE COMPRESSION DEVELOPMENT LENGTH OF THE SMALLER BAR.

EXTERIOR COLUMN OR BUTTRESS  
INTERIOR COLUMN  
COLUMN DETAILS

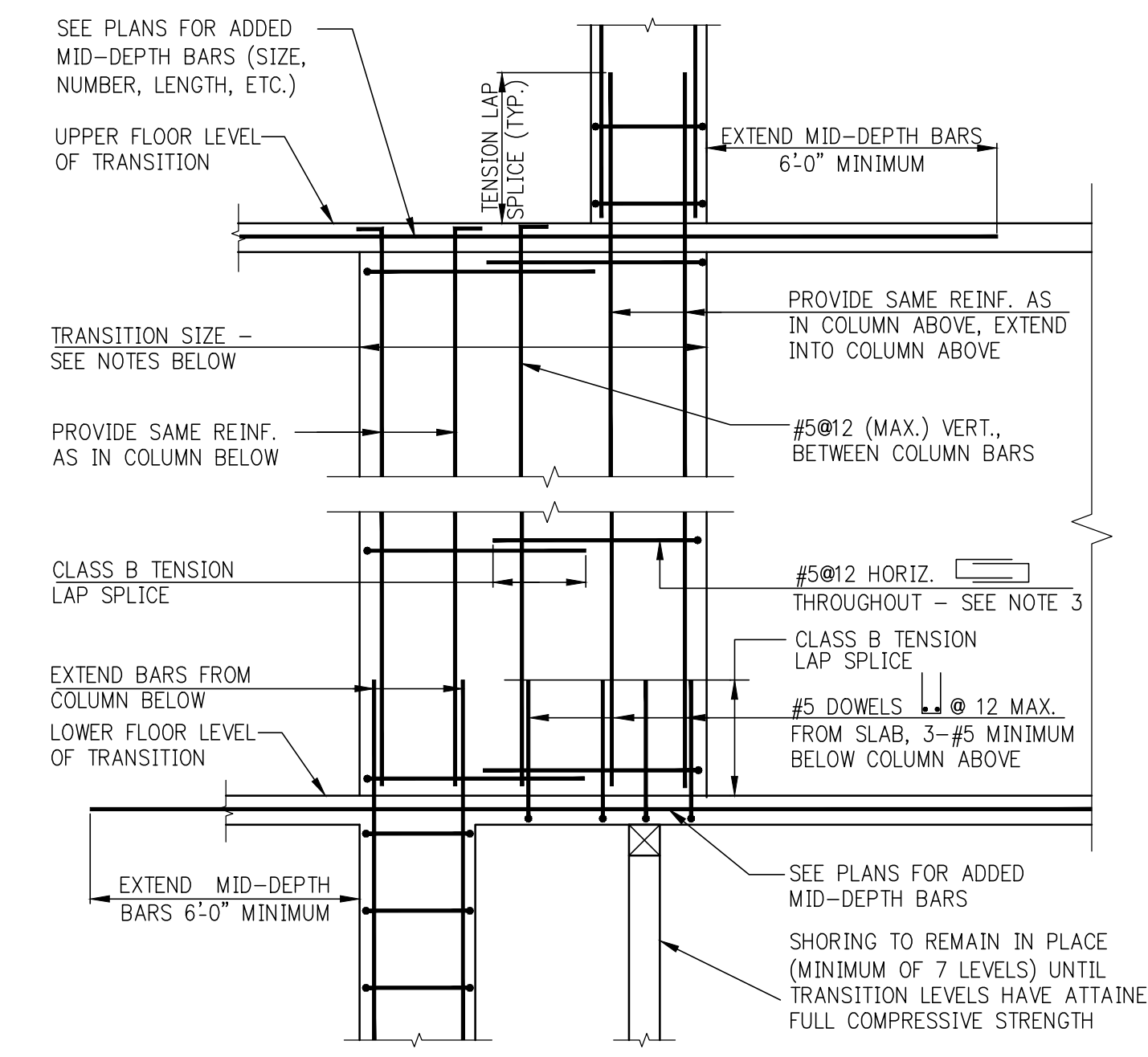


**COLUMN REINFORCEMENT AND TIES ARRANGEMENT**

- NOTES:**
- SINGLE LEG CROSSTIES SHOWN DASHED MAY BE OMITTED WHEN THE VERTICAL BAR IS NO FARTHER THAN 6" CLEAR ON EACH SIDE FROM ADJACENT TIED BARS.
  - WHEN THERE IS A SERIES OF VERTICAL BARS (SUCH AS IN WALL-LIKE COLUMNS) AND BARS ARE SPACED NOMINALLY AT 6" O/C, EVERY OTHER VERTICAL BAR WILL REQUIRE A CROSSTIE.
  - ALTERNATE 90° AND 135° ENDS ON CONSECUTIVE SINGLE LEG CROSSTIES THROUGHOUT HEIGHT OF MEMBER.
  - DETAILER SHALL SPACE BARS EQUIDISTANT ON ALL FACES UNLESS OTHERWISE SHOWN IN DETAILS.

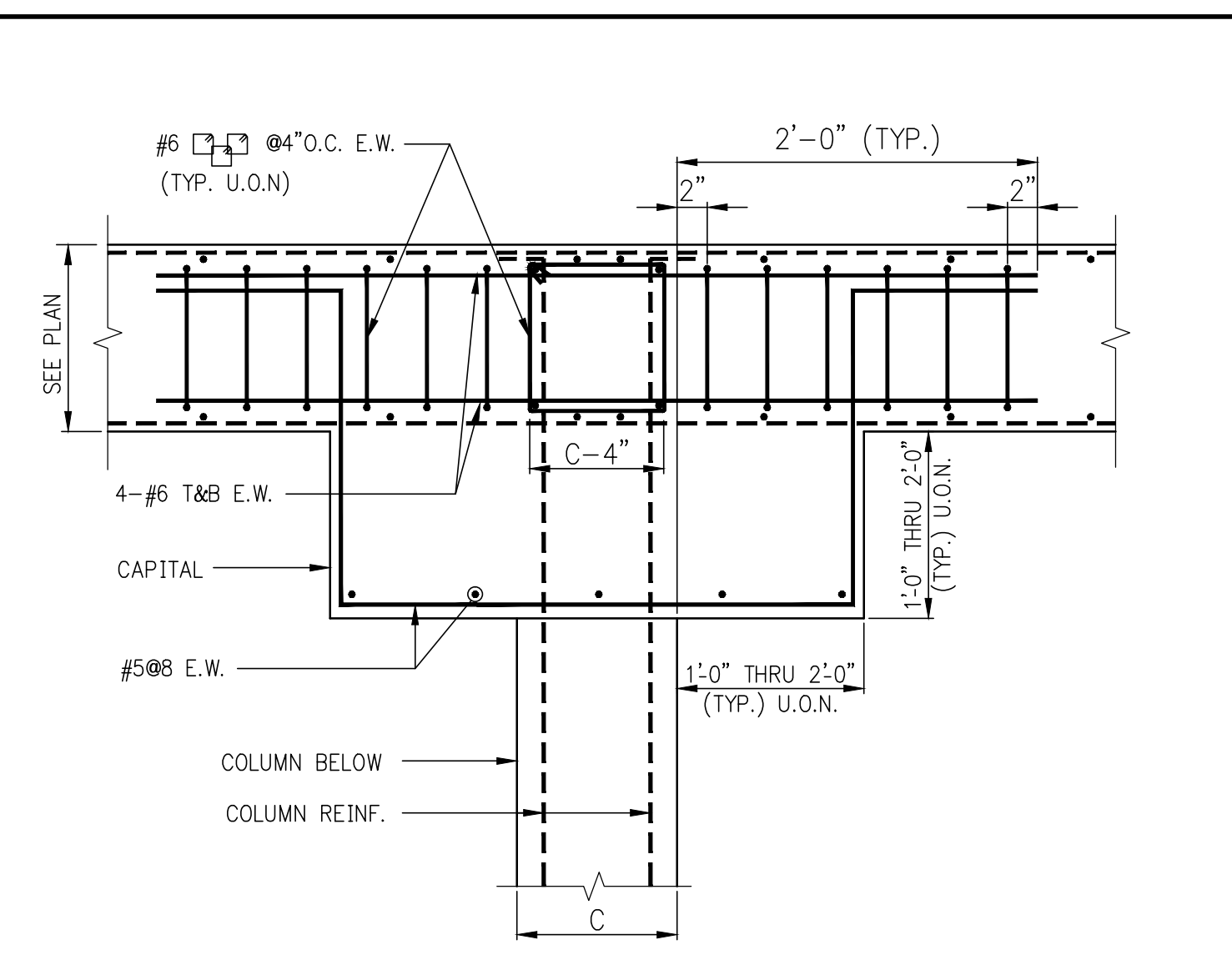


**DETAIL B**  
USE THIS DETAIL WHERE COLUMNS ABOVE AND BELOW TRANSITION OVERLAP IN PLAN



**DETAIL A - ELEVATION OF "WALKING" COLUMN TRANSITION**

- NOTES:**
- FOR DIMENSIONS AND LOCATION OF TRANSITION SEE COLUMN LOCATION PLANS AND/OR COLUMN SCHEDULE.
  - VERTICAL REINFORCEMENT IN TRANSITION TO BE AS SHOWN IN DETAILS 'A' AND 'B' UNLESS THE COLUMN SCHEDULE CALLS FOR SPECIFIC VERTICAL REINFORCEMENT WITHIN THE TRANSITION.
  - IN ADDITION TO #5@12 HORIZONTAL HOOPS, PROVIDE HOOPS AND CROSSTIES TO SATISFY TIEING REQUIREMENTS OF TYPICAL COLUMN DETAILS FOR ALL VERTICAL REINFORCEMENT.



**TYPICAL DETAIL AT COLUMNS SUPPORTING FLOOR SLAB WITH CAPITAL**

- NOTES:**
- THIS DETAIL APPLIES FOR COLUMNS 1 AND 5 @ 1<sup>st</sup> FLOOR.
  - BALANCE OF REINF. NOT SHOWN FOR CLARITY

PROJECT:  
**138 EAST 50TH ST.  
NEW YORK, NY**

OWNER/DEVELOPER:  
**CERUZZI PROPERTIES, LLC**  
400 PARK AVENUE, 5th FLOOR  
NEW YORK, NY 10022  
TEL: (212) 300-1700

ARCHITECT OF RECORD:  
**SLCE Architects, LLP**  
1359 BROOKWAY, 14th FLOOR  
NEW YORK, NY 10018  
TEL: (212) 979-8400  
FAX: (212) 979-8387

DESIGN ARCHITECT:  
**Pelli Clarke Pelli Architects**  
322 EIGHTH AVENUE  
NEW YORK, NY 10001  
TEL: (212) 417-9476  
FAX: (212) 417-9477

STRUCTURAL ENGINEER:  
**WSP**  
228 East 45th St.  
New York, NY 10017  
(212) 687-0888  
www.wspgroup.com/usa

M.E.P. ENGINEER:  
**MGE**  
115 West 32nd Street, 12th Floor, New York, NY 10001  
TEL: (212) 696-1000  
FAX: (212) 696-1000

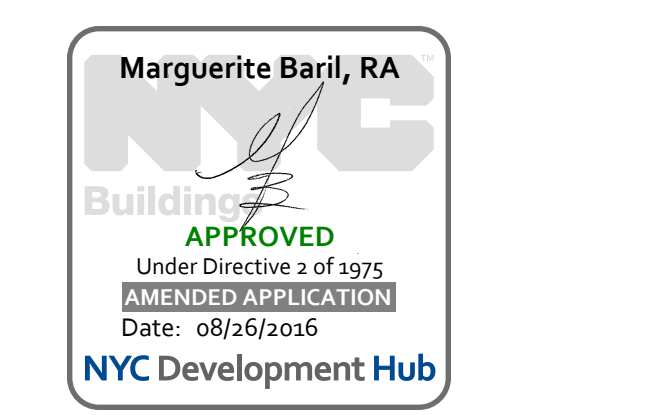
CIVIL ENGINEER:  
**Philip Habib & Associates**  
102 MADISON AVENUE, 11th FLOOR  
NEW YORK, NEW YORK 10016  
TEL: (212) 929-5656  
FAX: (212) 929-5655

DOB EXPEDITOR:  
**JAM Consultants, Inc.**  
104 WEST 29th STREET, 9th FLOOR  
NEW YORK, NEW YORK 10001  
TEL: (212) 244-4427  
FAX: (212) 244-4497

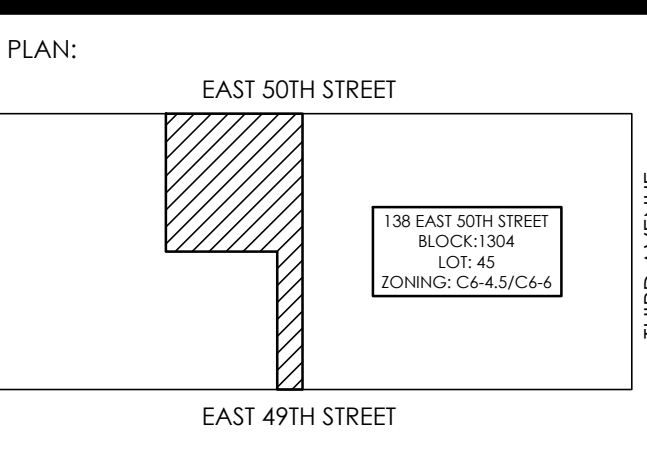
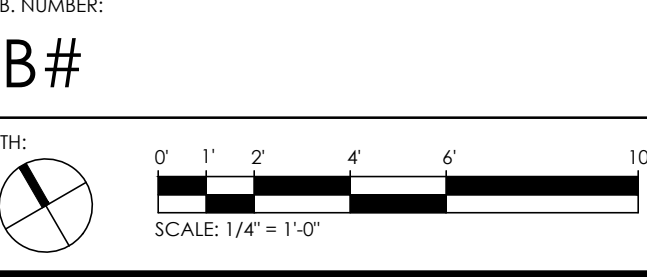
VERTICAL TRANSPORTATION CONSULTANT:  
**Jenkins & Huntington, Inc.**  
1251 AVENUE OF THE AMERICAS  
NEW YORK, NEW YORK 10020  
TEL: (212) 496-1818  
FAX: (212) 696-4528

ZONING CONSULTANT:  
**Development Consulting Services**  
330 WEST 42ND STREET  
NEW YORK, NEW YORK 10036  
TEL: (212) 714-0285  
FAX: (212) 714-0283

EXTERIOR WALL CONSULTANT:  
**Vidar's Incorporated**  
340 PARK AVENUE SOUTH, 15th FL.  
NEW YORK, NEW YORK 10010  
TEL: (212) 689-3389



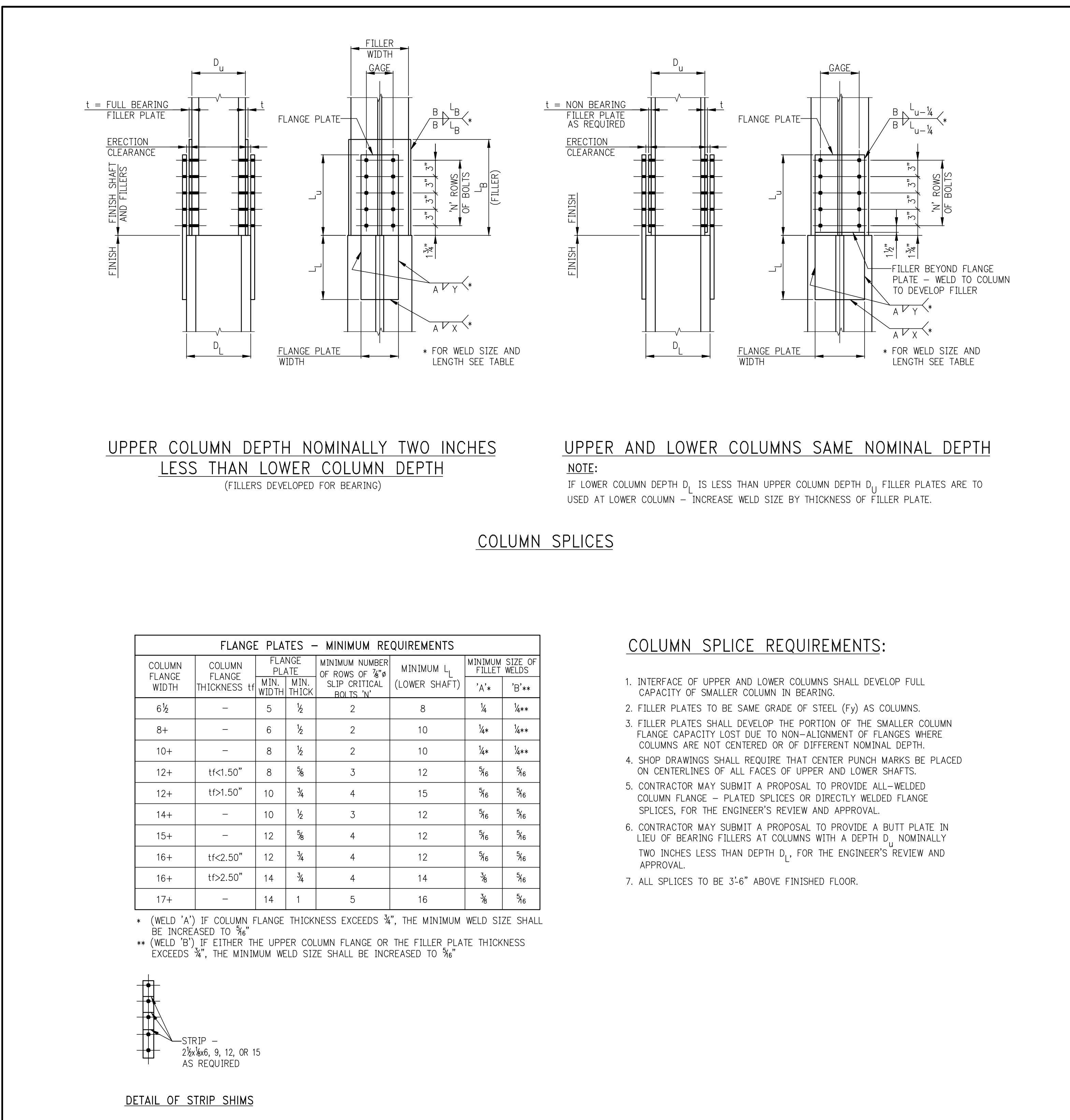
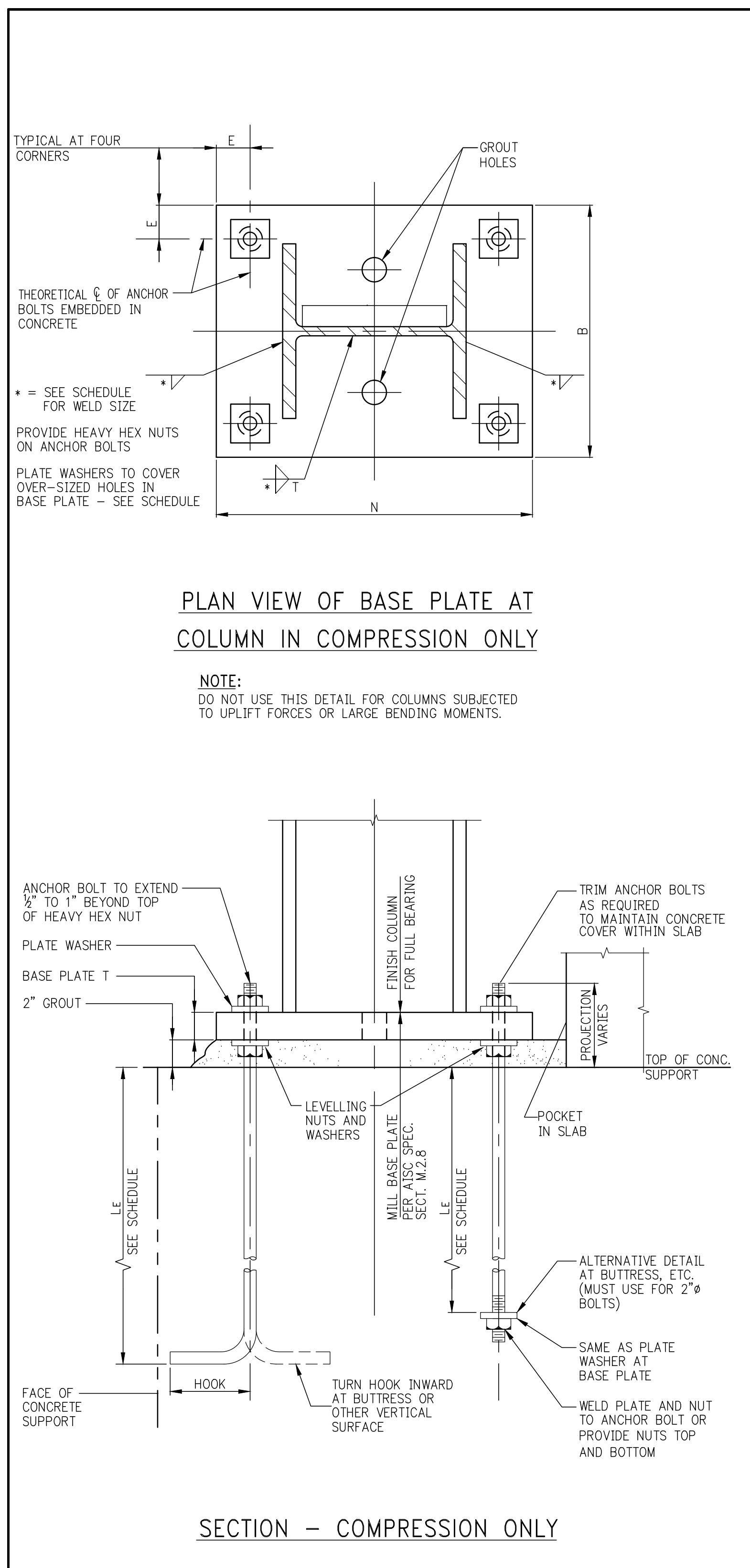
DATE	REVISION
03-18-16	ISSUE TO DOB
02-10-16	REVISED SUPERSTRUCTURE
02-08-16	REVISED FOUNDATION FOR CONSTRUCTION
02-03-16	REVISED SUPERSTRUCTURE
02-03-16	ISSUE FOUNDATION FOR CONSTRUCTION
01-23-16	REVISED SUPERSTRUCTURE FOR BID
09-30-15	ISSUE TO IA
09-10-15	REVISED FOUNDATION
09-21-15	ADDENDUM 1 PRECING SET
08-21-15	ISSUE FOR SUPERSTRUCTURE BID
06-26-15	ISSUE FOR FOUNDATION BID



PROJECT:  
**138 EAST 50TH STREET  
NEW YORK, N.Y.**

DRAWING TITLE:  
**TYPICAL CONCRETE COLUMN DETAILS**

SEAL & SIGNATURE:  
**WSP**  
DATE: 05/14/2015  
PROJECT No.: 1990031  
DRAWN BY: CASO  
CHECKED BY: CS  
DWG. No.:  
**S-955.00**  
SHEET No.: of 0

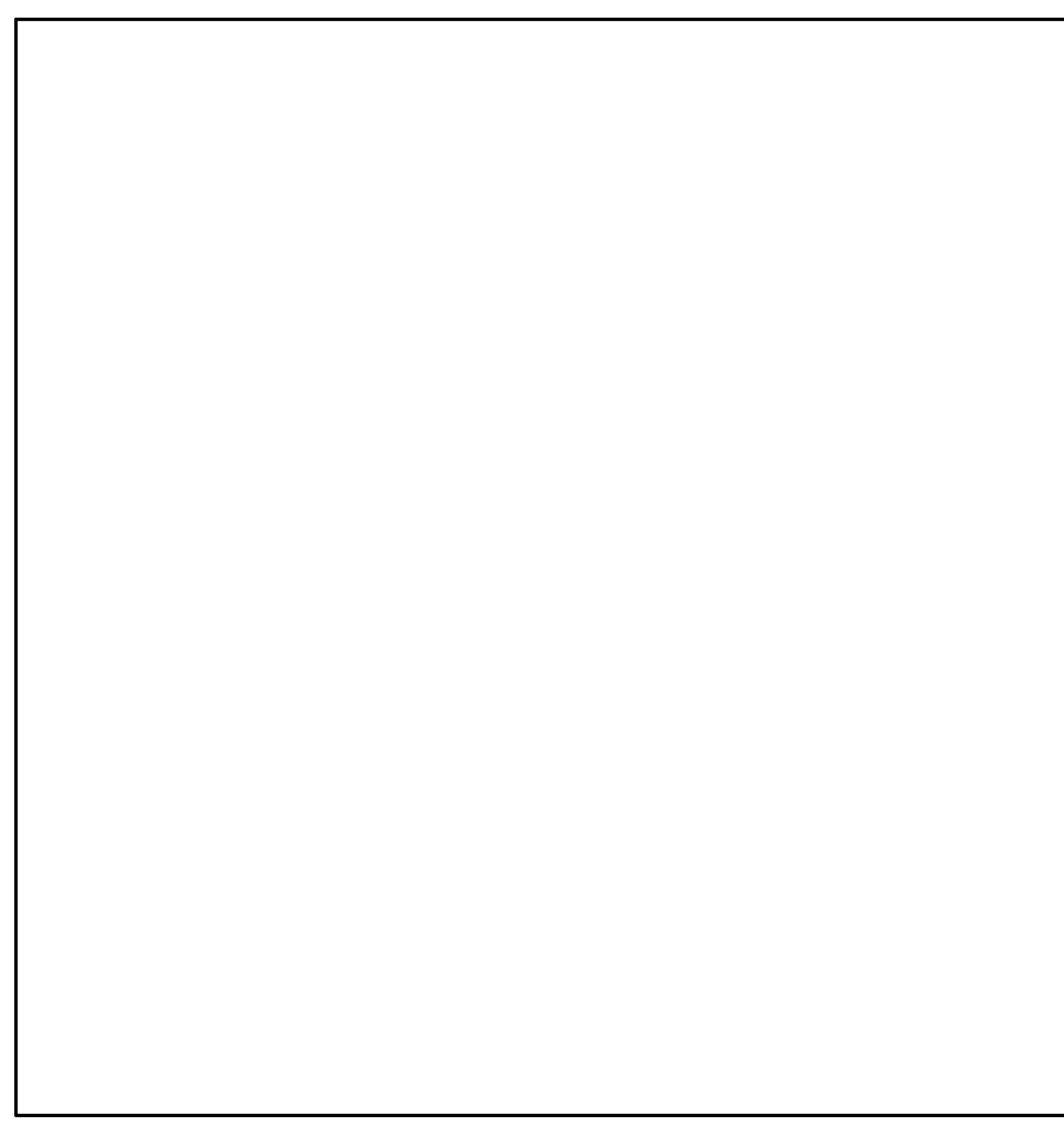
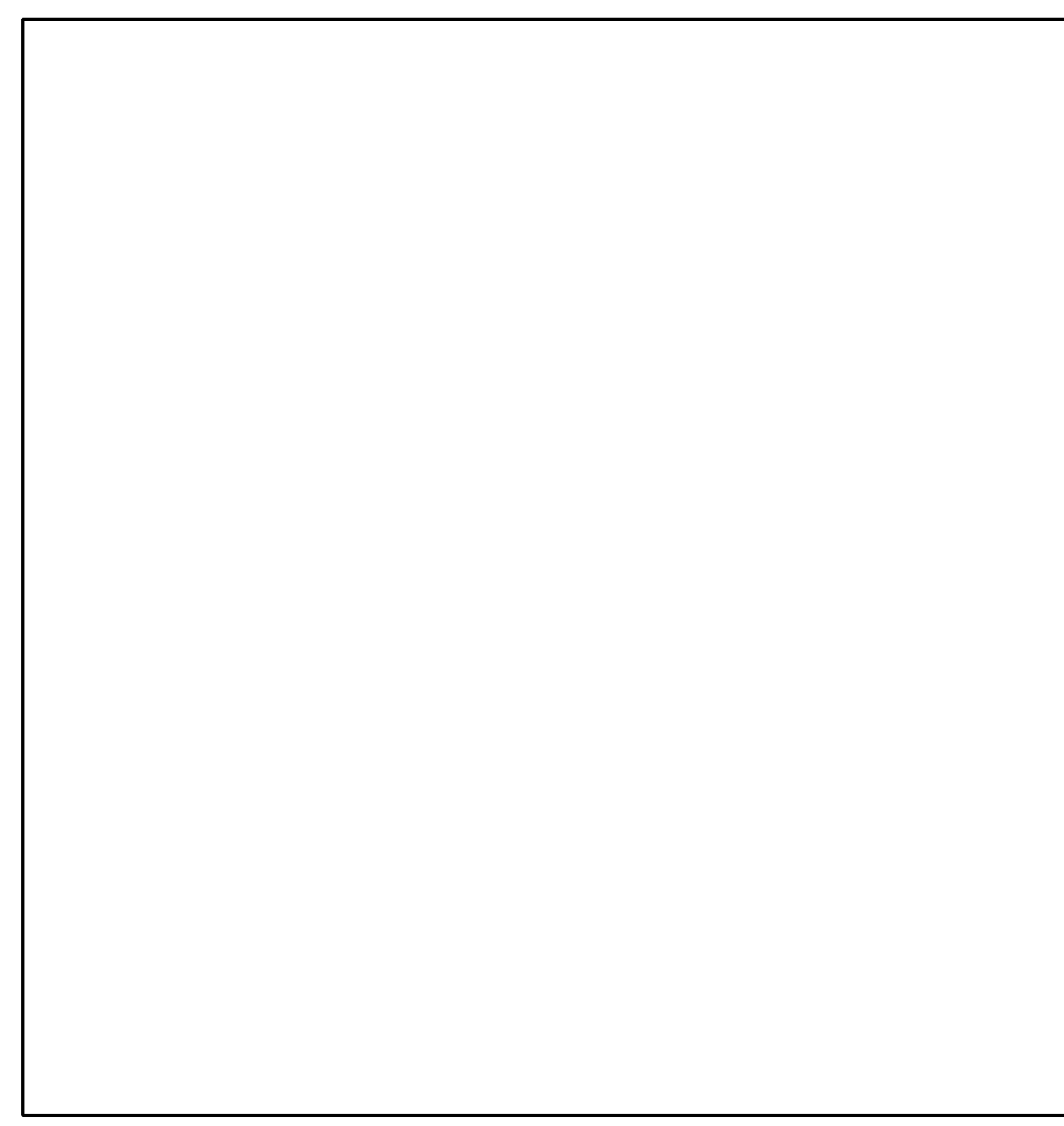
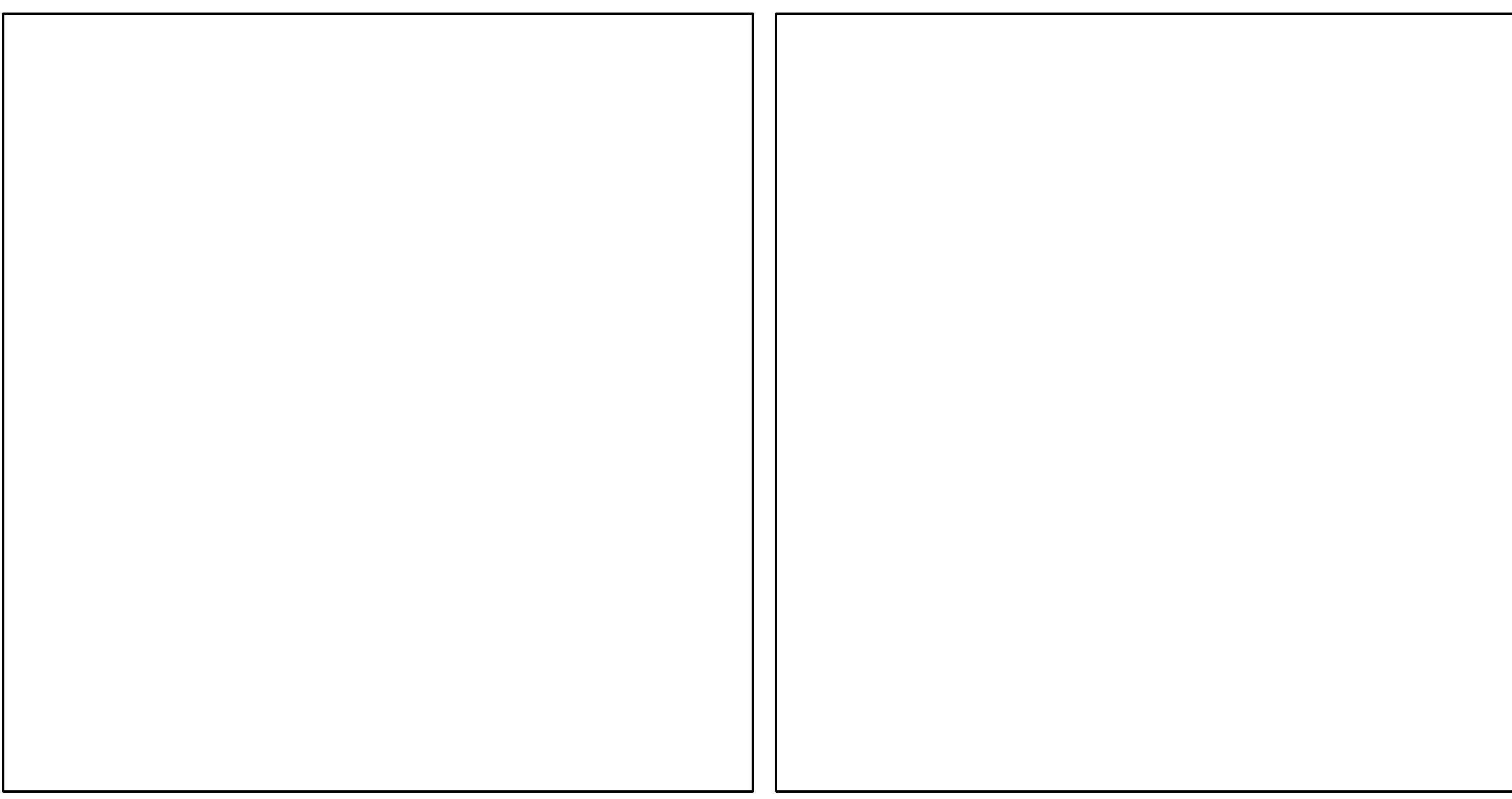
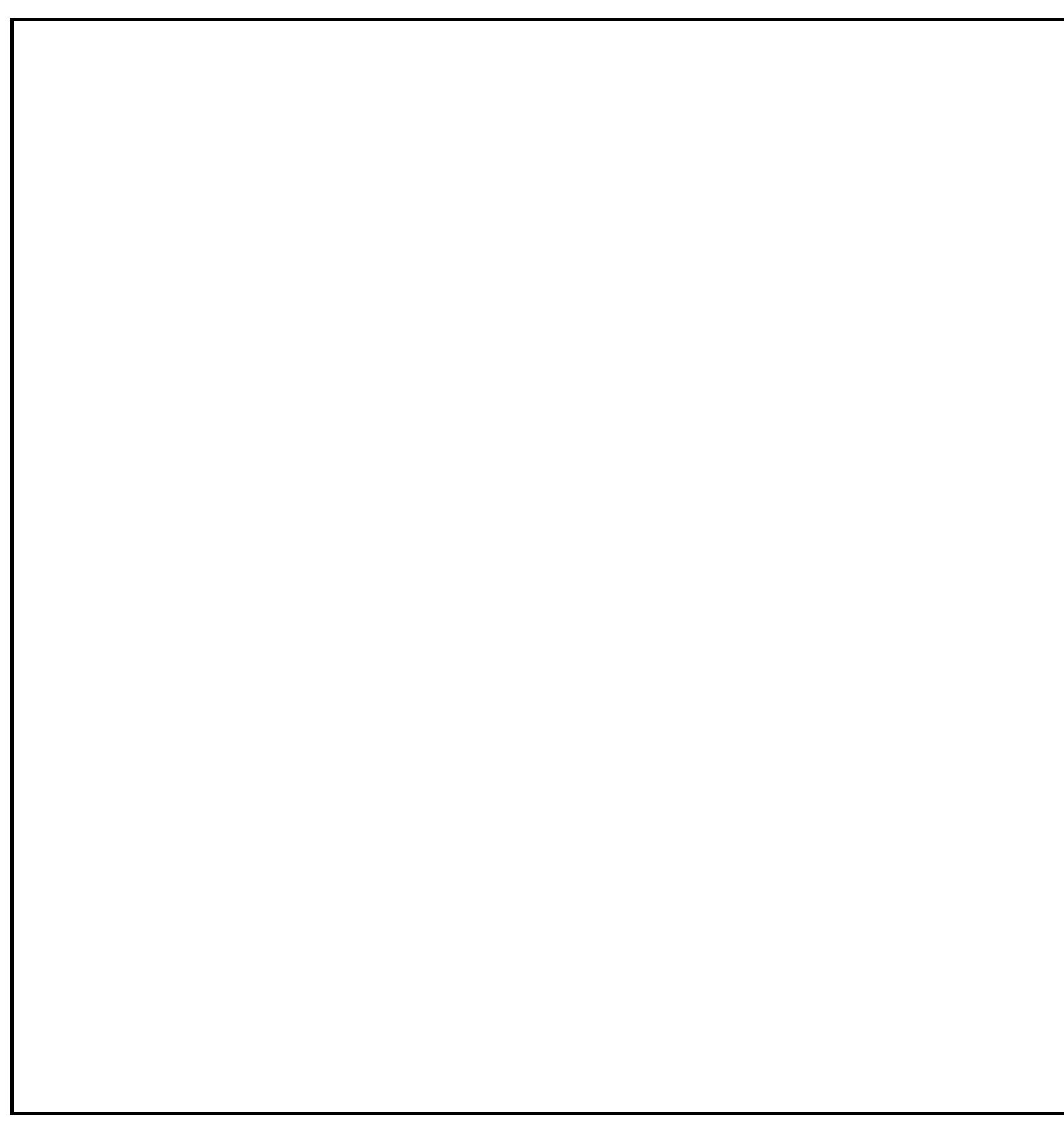
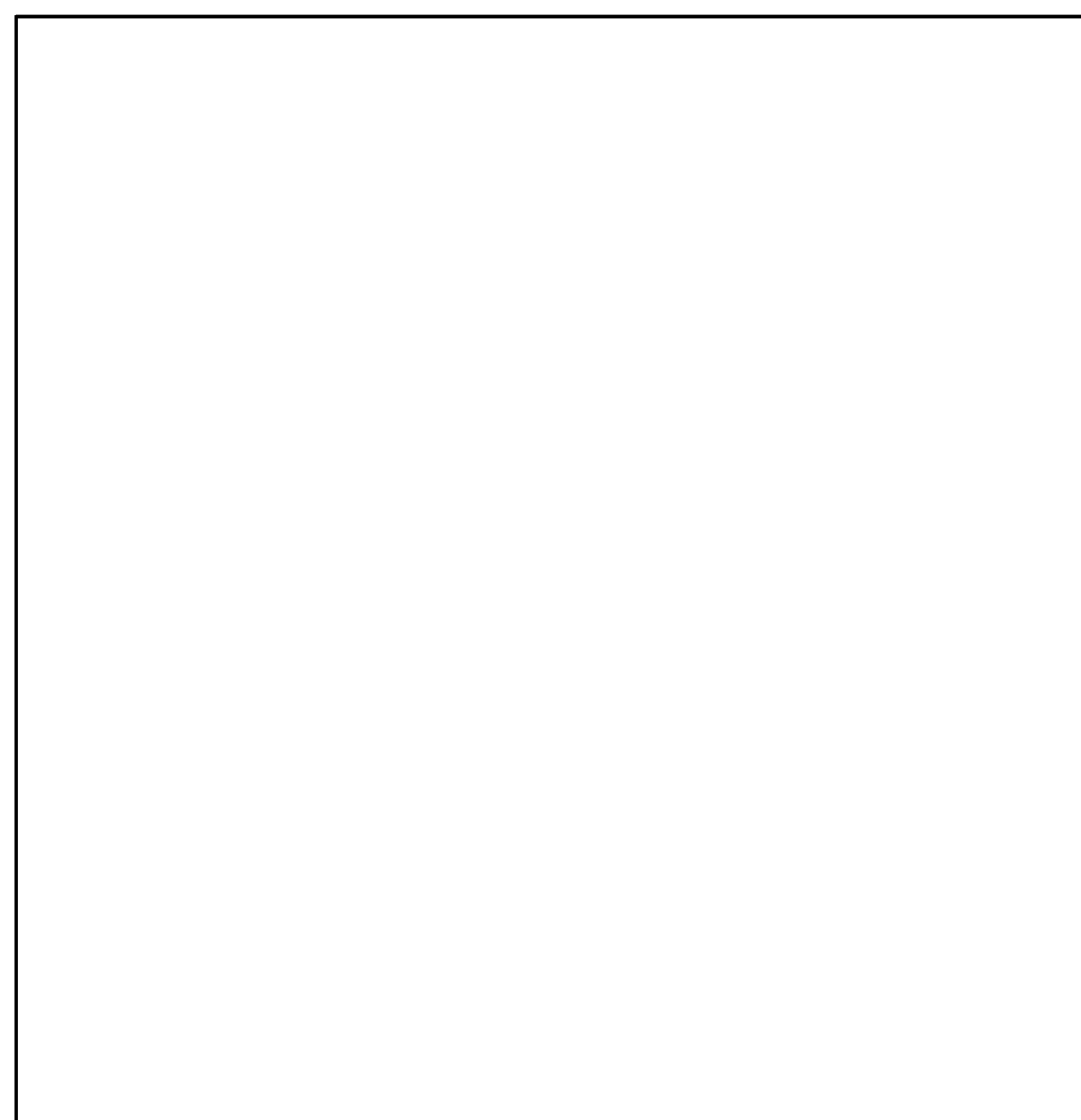
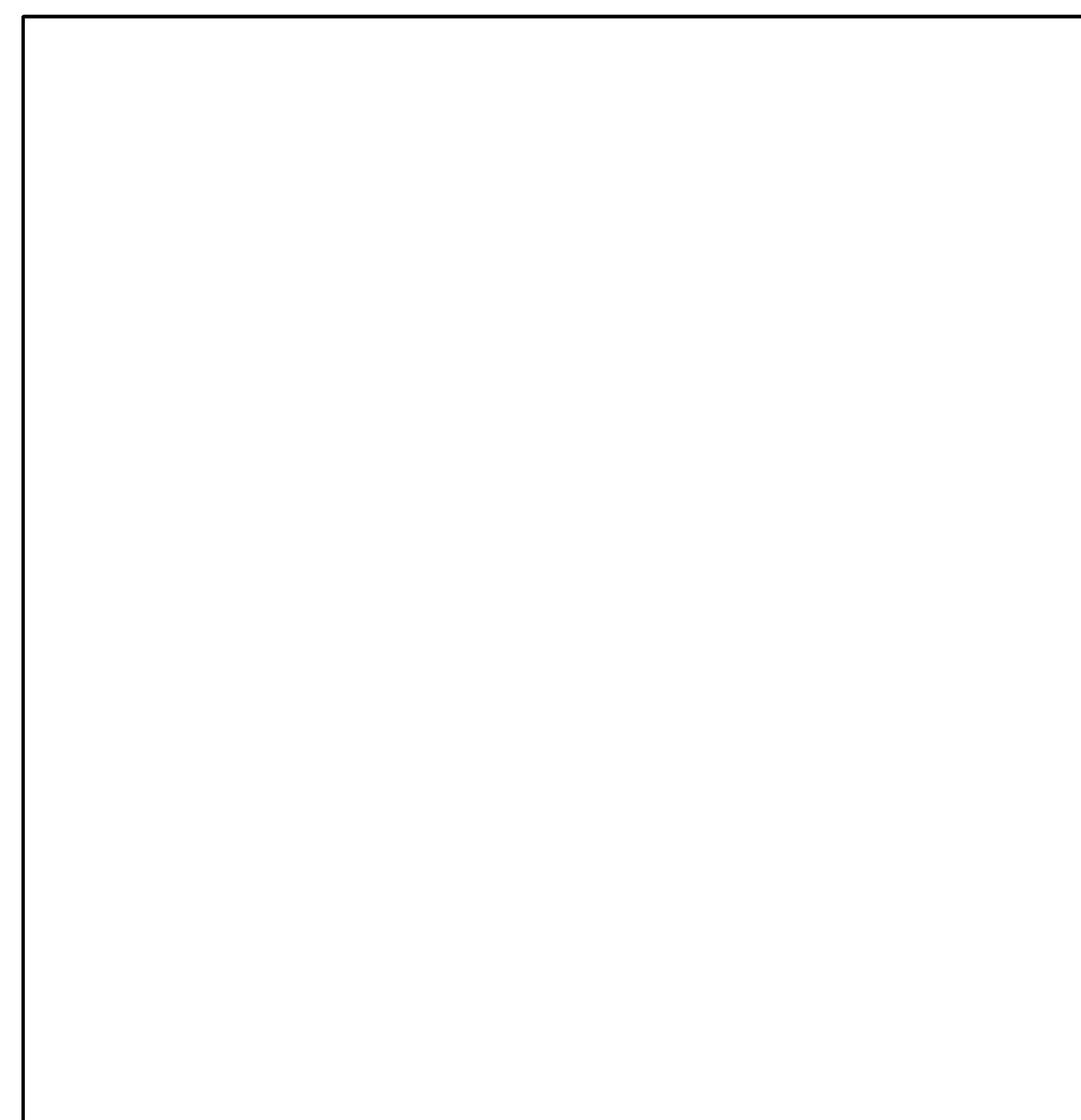
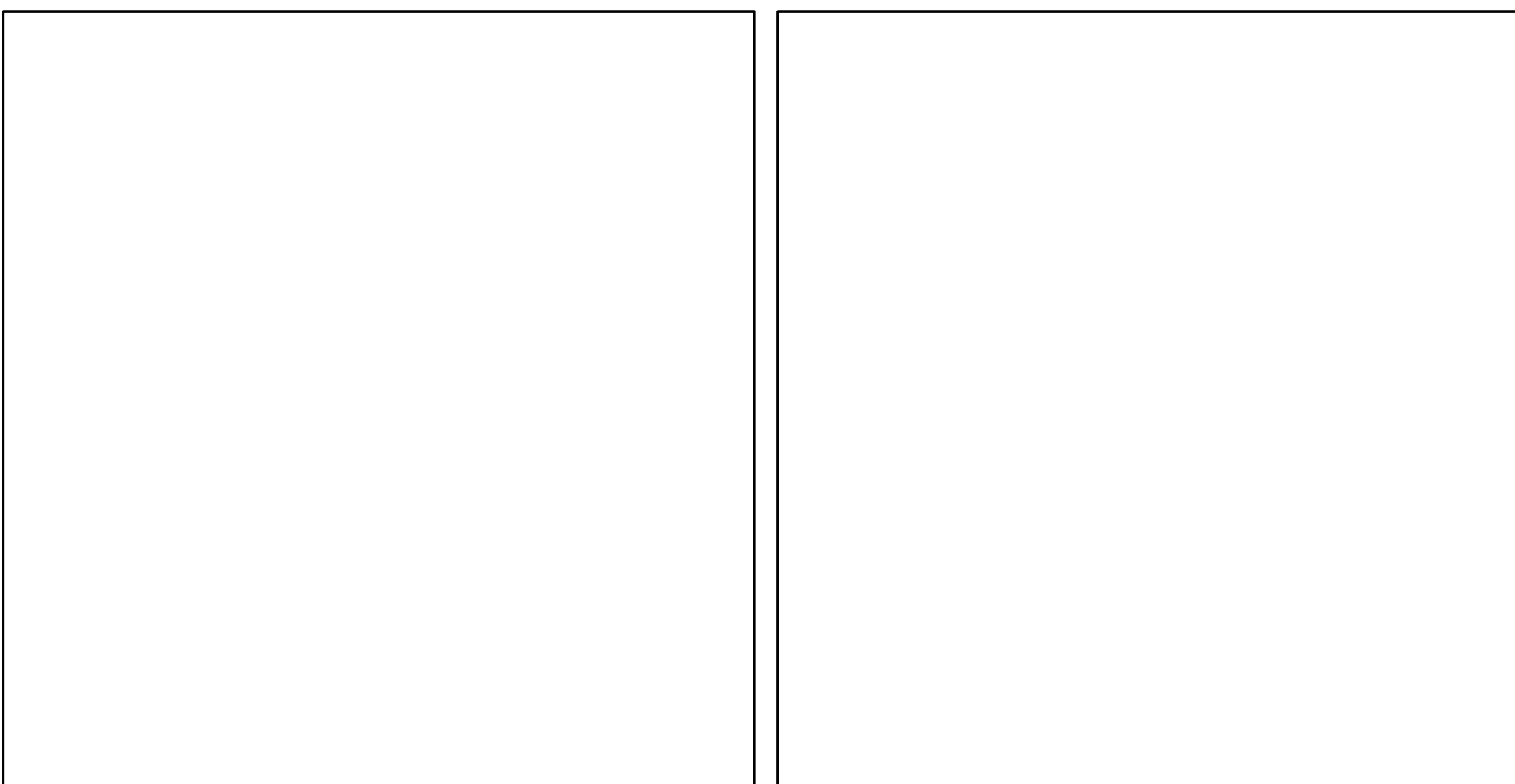
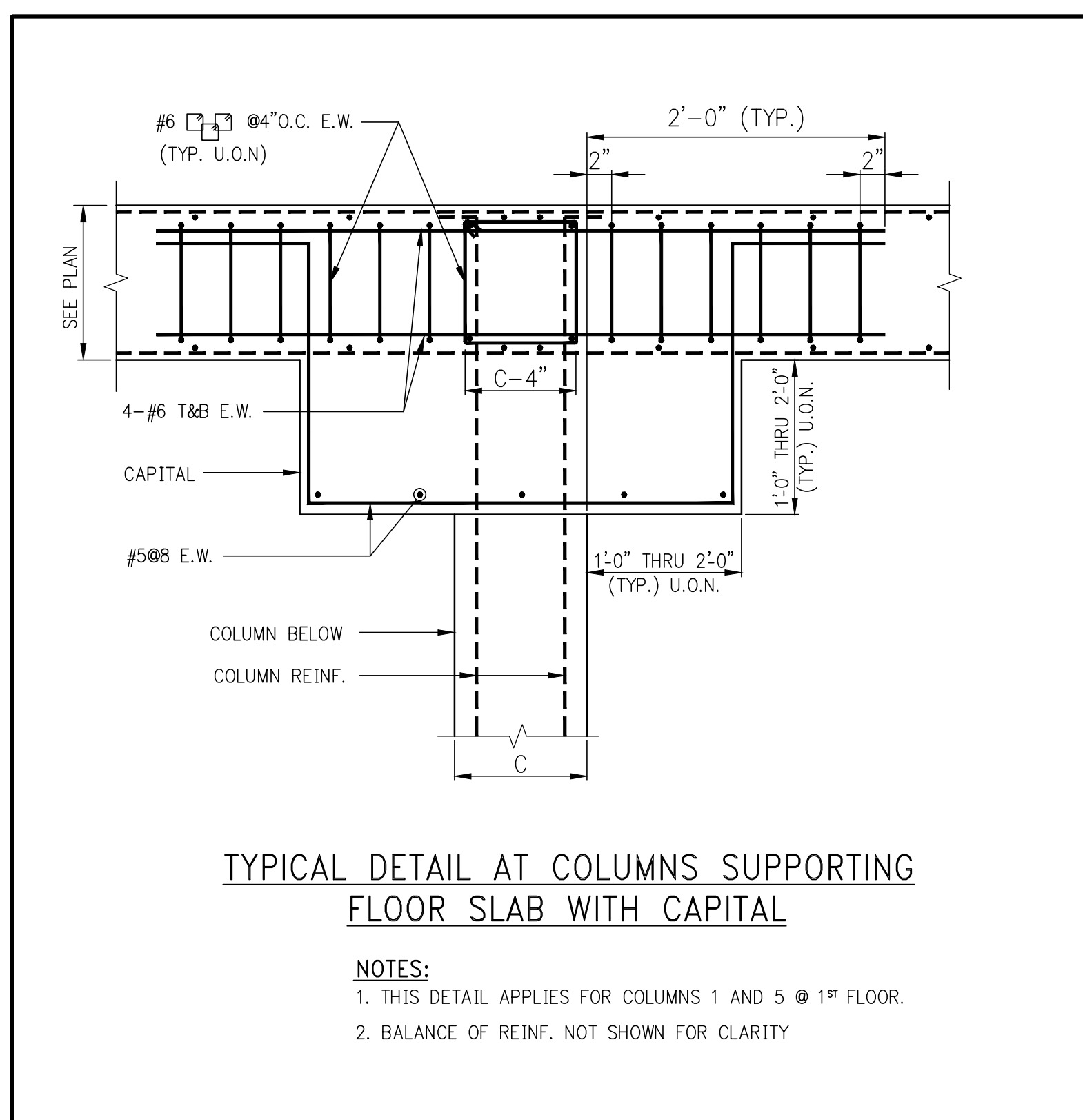
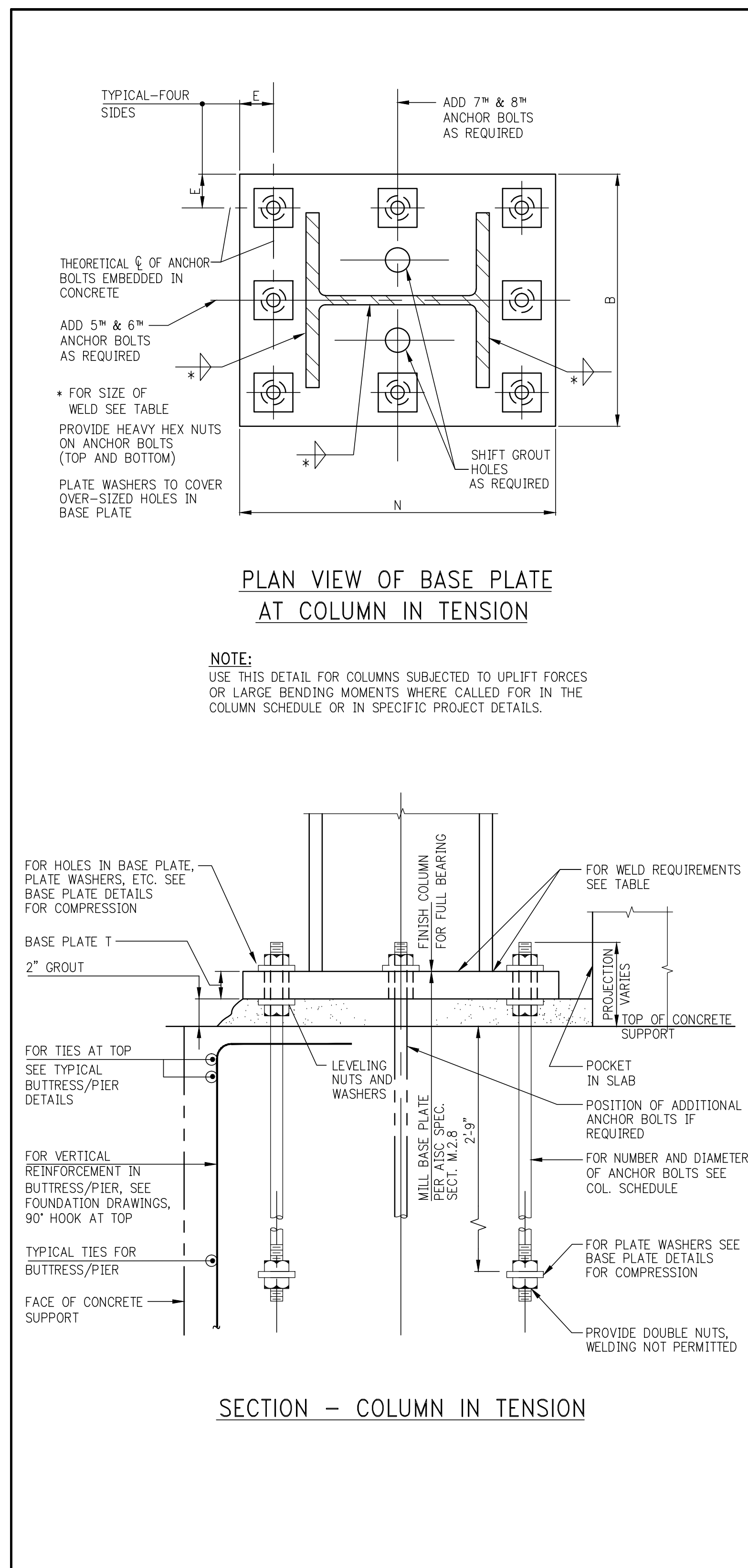


**MINIMUM BASE PLATE/ANCHOR BOLT REQUIREMENTS (THIS SCHEDULE FOR COMPRESSION ONLY)**

COLUMN SIZES	ALL W10 AND SMALLER SIZES, W12x58 AND LIGHTER W14x82 AND LIGHTER	W12x65 TO MAXIMUM W12 W14x90 TO W14x311	W14x342 TO W14x500	W14x550 TO MAXIMUM W14
MINIMUM WELD SIZE - COLUMN TO BASE PLATE	3/8"	3/8"	3/8"	3/8"
MINIMUM ANCHOR BOLT REQUIREMENT	4-1" DIA.	4-1 1/8" DIA.	4-1 3/8" DIA.	4-2" DIA.
HOLE DIAMETER IN BASE PLATE	2"	2 1/4"	2 3/8"	3"
E = EDGE DISTANCE TO HOLES	2 1/2"	2 3/4"	2 3/4"	3 1/4"
LE = BOLT EMBEDMENT LENGTH	1'-6"	1'-9"	2'-2"	2'-9"
BOLT HOOK DIMENSION OR PLATE REQUIREMENT	5"	6"	8" OR NUT + PLATE	NUT + PLATE
PLATE WASHER	3/4" x 3/4" W/1 1/4" HOLE	3/4" x 3/4" W/1 1/4" HOLE	3/4" x 3/4" W/1 1/4" HOLE	3/4" x 3/4" W/2 1/4" HOLE
MINIMUM 'N' FOR BOLT + WASHER	4 COL. + 10"	4 COL. + 11"	4 COL. + 11 1/2"	4 COL. + 13 1/2"
REMARKS				

**NOTES FOR "COMPRESSION ONLY" BASE PLATE DETAILS**

- THESE DETAILS ARE NOT TO BE USED WHERE COLUMNS ARE SUBJECTED TO TENSION/UPLIFT FORCES OR WHERE LARGE COLUMN BASE MOMENTS INDUCE TENSION IN ANCHOR BOLTS. FOR THOSE CASES SEE TENSION/MOMENT BASE DETAILS.
- ANCHOR BOLT MATERIAL SHALL BE ASTM F1554 (GRADE 36 U.O.N.)
- ANCHOR BOLT NUTS SHALL BE DRAWN DOWN TIGHT TO A "SNUG-TIGHTENED" CONDITION. ANCHOR BOLTS DO NOT REQUIRE PRE-TENSIONING.
- IF CONTRACTOR PROPOSES TO USE LEVELLING PLATES, HE SHALL SUBMIT HIS PROPOSED METHOD AND DETAILS FOR ENGINEER'S REVIEW AND APPROVAL. THIS MAY RESULT IN A REQUIREMENT TO WELD THE BOTTOM SURFACE OF THE BASE PLATE.
- ANCHOR BOLT HOLES WHICH ARE FLAME-CUT IN BASE PLATES SHALL BE INSPECTED (AND CORRECTED AS NECESSARY) TO ASSURE PROPER CLEARANCES.
- SEE PROJECT SPECIFICATIONS AND GENERAL NOTES FOR MATERIALS AND STRENGTH REQUIREMENTS FOR HIGH-STRENGTH NON-SHRINK GROUT.



**PROJECT:**  
138 EAST 50TH ST.  
NEW YORK, NY

**OWNER/DEVELOPER:**  
CERUZZI PROPERTIES, LLC  
400 PARK AVENUE, 5th FLOOR  
NEW YORK, NY 10022  
TEL: (212) 300-1700

**ARCHITECT OF RECORD:**  
SLICE Architects, LLP  
1359 BROADWAY, 14th FLOOR  
NEW YORK, NY 10018  
TEL: (212) 979-8400  
FAX: (212) 979-8387

**DESIGN ARCHITECT:**  
Pelli Clarke Pelli Architects  
322 EIGHTH AVENUE  
NEW YORK, NY 10001  
TEL: (212) 417-9494  
FAX: (212) 417-9497

**STRUCTURAL ENGINEER:**  
WSP  
228 East 45th St.  
New York, NY 10017  
(212) 687-0888  
www.wspgroup.com/usa

**M.E.P. ENGINEER:**  
MGE  
115 West 32nd Street, 12th Floor, New York, NY 10001  
P: (212) 681-0505 F: (212) 681-0500 www.mgepc.net

**CIVIL ENGINEER:**  
Philip Habib & Associates  
102 MADISON AVENUE, 11th FLOOR  
NEW YORK, NY 10016  
TEL: (212) 929-5458  
FAX: (212) 929-5605

**DOB EXPEDITOR:**  
JAM Consultants, Inc.  
104 WEST 29th STREET, 9th FLOOR  
NEW YORK, NY 10001  
TEL: (212) 244-4427  
FAX: (212) 244-4497

**VERTICAL TRANSPORTATION CONSULTANT:**  
Jenkins & Huntington, Inc.  
1251 AVENUE OF THE AMERICAS  
NEW YORK, NY 10020  
TEL: (212) 696-1818  
FAX: (212) 696-4528

**ZONING CONSULTANT:**  
Development Consulting Services  
330 WEST 42ND STREET  
NEW YORK, NY 10018  
TEL: (212) 714-0282  
FAX: (212) 714-0283

**EXTERIOR WALL CONSULTANT:**  
Vidaris, Incorporated  
340 PARK AVENUE SOUTH, 15th FL.  
NEW YORK, NY 10010  
TEL: (212) 687-5389

**Marguerite Baril, R.C.**  
Building Professional  
APPROVED Under Directive 2 of 1975  
EXERCISE OF PROFESSIONAL FUNCTIONS  
Date: 08/15/2015  
NYC Development Hub

**REVISIONS:**

NO.	DATE	DESCRIPTION
1	02-25-16	ISSUE FOR CONSTRUCTION
2	02-25-16	REVISED FOR STEEL FRAMING

**DOB NUMBER:**

**NB#**

**WORKS:**

**SCALE: 1/4" = 1'-0"**

**KEY PLAN:**

**PROJECT:**  
138 EAST 50TH STREET  
NEW YORK, N.Y.

**DRAWING TITLE:**  
TYPICAL STEEL COLUMN DETAILS

**SEAL & SIGNATURE:**  
DATE: 05/14/2015  
PROJECT No.: 1590031  
DRAWN BY: CASO  
CHECKED BY: CS  
DWG. No.: S-956.00  
SHEET No.: 1 of 0

PROJECT:  
138 EAST 50TH ST.  
NEW YORK, NY

OWNER/DEVELOPER:  
CERUZZI PROPERTIES, LLC  
400 PARK AVENUE, 5th FLOOR  
NEW YORK, NY 10022  
TEL: (212) 300-1700

ARCHITECT OF RECORD:  
SLCEArchitects, LLP  
1359 BROADWAY, 14th FLOOR  
NEW YORK, NY 10018  
TEL: (212) 979-8400  
FAX: (212) 979-8387

DESIGN ARCHITECT:  
Pelli Clarke Pelli Architects  
322 EIGHTH AVENUE  
NEW YORK, NY 10017  
TEL: (212) 417-9476  
FAX: (212) 417-9477

STRUCTURAL ENGINEER:  
WSP  
228 East 45th St.  
New York, NY 10017  
(212) 687-9888  
www.wspgroup.com/usa

M.E.P. ENGINEER:  
MGE  
115 West 120th Street, 12th Floor, New York, NY 10011  
P: (212) 643-0550 F: (212) 643-0550 www.mgepc.net

CIVIL ENGINEER:  
Philip Habib & Associates  
102 MADISON AVENUE, 11th FLOOR  
NEW YORK, NEW YORK 10016  
TEL: (212) 929-5656  
FAX: (212) 929-5655

DOB EXPEDITOR:  
JAM Consultants, Inc.  
104 WEST 29th STREET, 9th FLOOR  
NEW YORK, NEW YORK 10001  
TEL: (212) 244-4427  
FAX: (212) 244-4497

VERTICAL TRANSPORTATION CONSULTANT:  
Jenkins & Huntington, Inc.  
1251 AVENUE OF THE AMERICAS  
NEW YORK, NEW YORK 10020  
TEL: (212) 496-1818  
FAX: (212) 496-4528

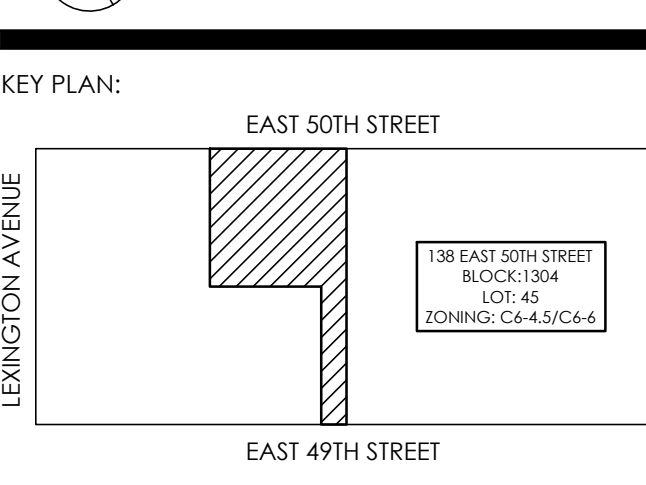
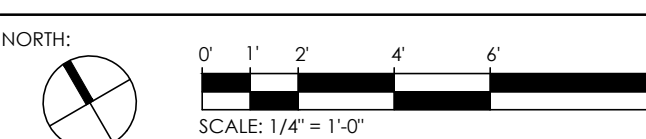
ZONING CONSULTANT:  
Development Consulting Services  
330 WEST 42ND STREET  
NEW YORK, NEW YORK 10036  
TEL: (212) 714-0285  
FAX: (212) 714-0283

EXTERIOR WALL CONSULTANT:  
Vidaris, Incorporated  
340 PARK AVENUE SOUTH, 15th FL.  
NEW YORK, NEW YORK 10010  
TEL: (212) 689-5389



03-18-18	ISSUE TO DOB
02-18-18	REVISED SUPERSTRUCTURE
02-03-18	REVISED SUPERSTRUCTURE
11-17-15	REVISED SUPERSTRUCTURE FOR BID
08-15-15	ADDITIONAL FLOORING SET
08-03-15	ISSUE FOR SUPERSTRUCTURE BID
DATE:	REVISION:

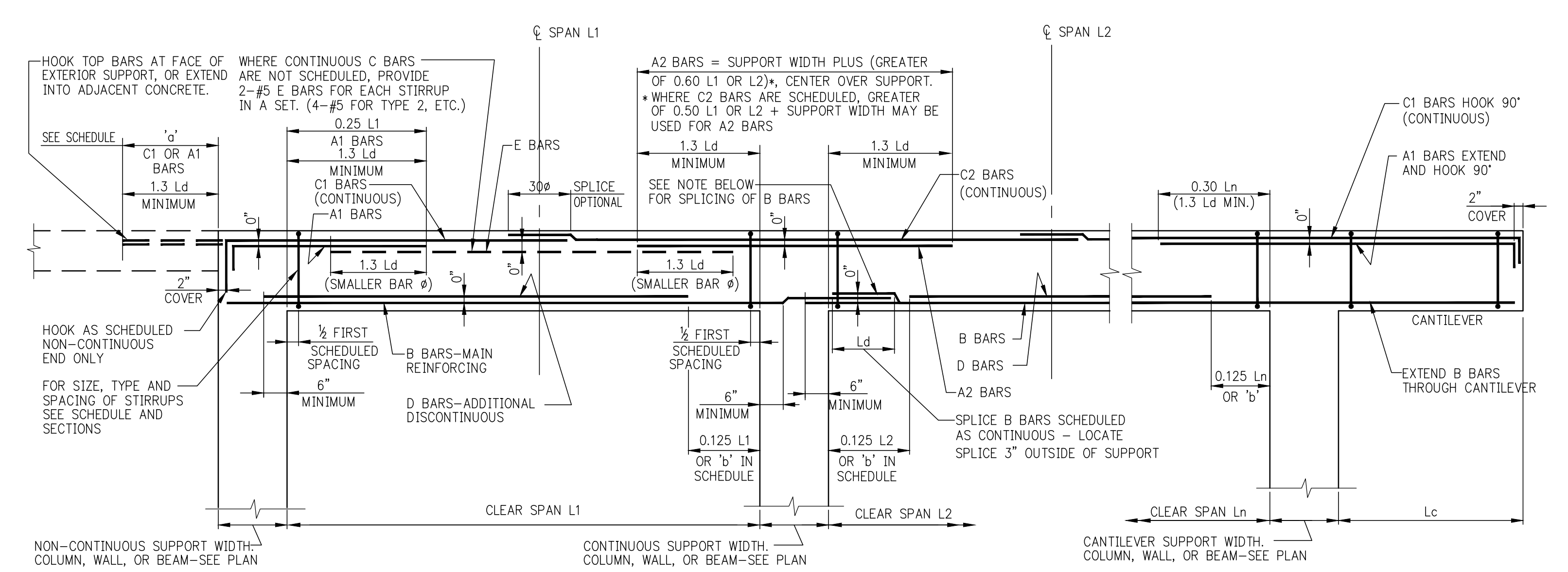
DOB NUMBER:  
NB#



PROJECT:  
138 EAST 50TH STREET  
NEW YORK, N.Y.

DRAWING TITLE:  
TYPICAL SUPERSTRUCTURE DETAIL 1

SEAL & SIGNATURE: DATE: 05/14/2015  
PROJECT No.: 199031  
DRAWN BY: CASO  
CHECKED BY: CS  
DWG. No.: S-960.00  
SHEET No.: of 0

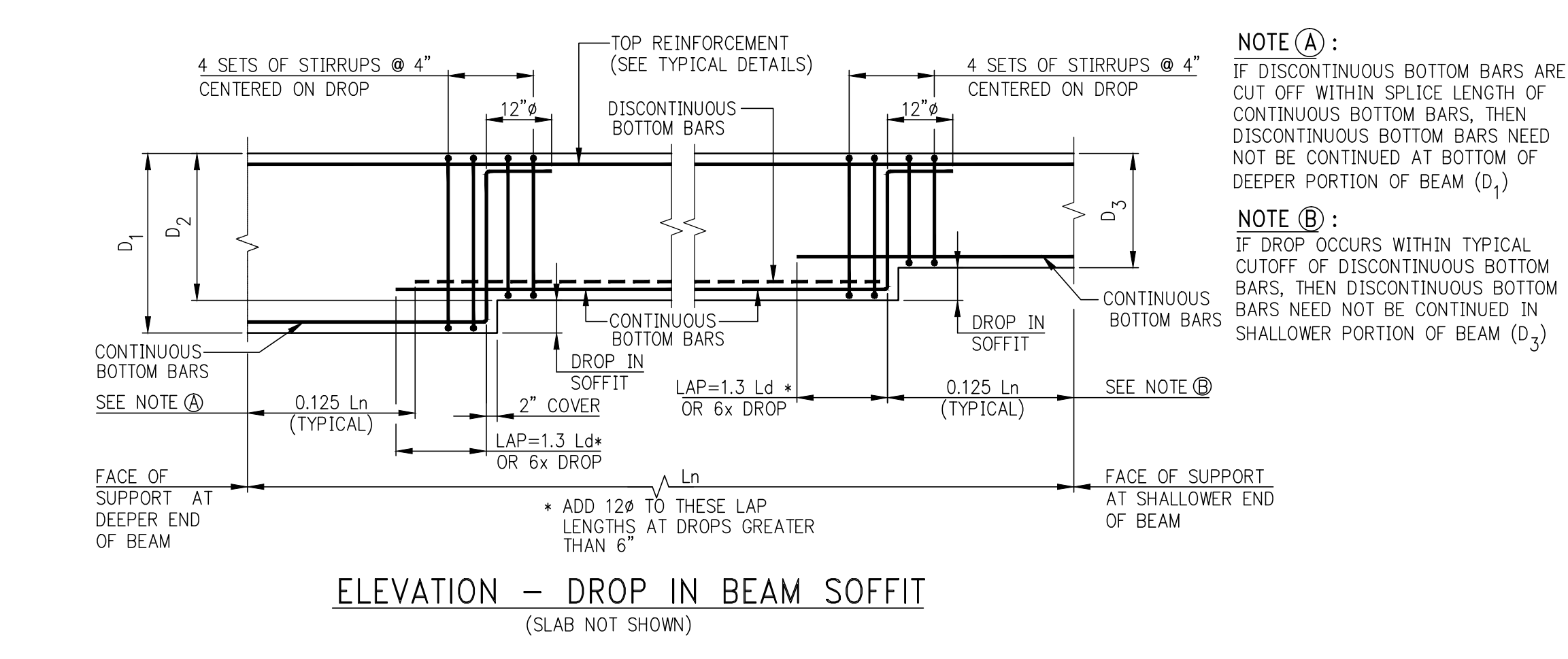


NOTE:  
USE TYPICAL CUTOFF LENGTHS SHOWN UNLESS  
"a" OR "b" DIMENSIONS OR OTHER DIMENSIONS  
ARE GIVEN IN THE BEAM SCHEDULE

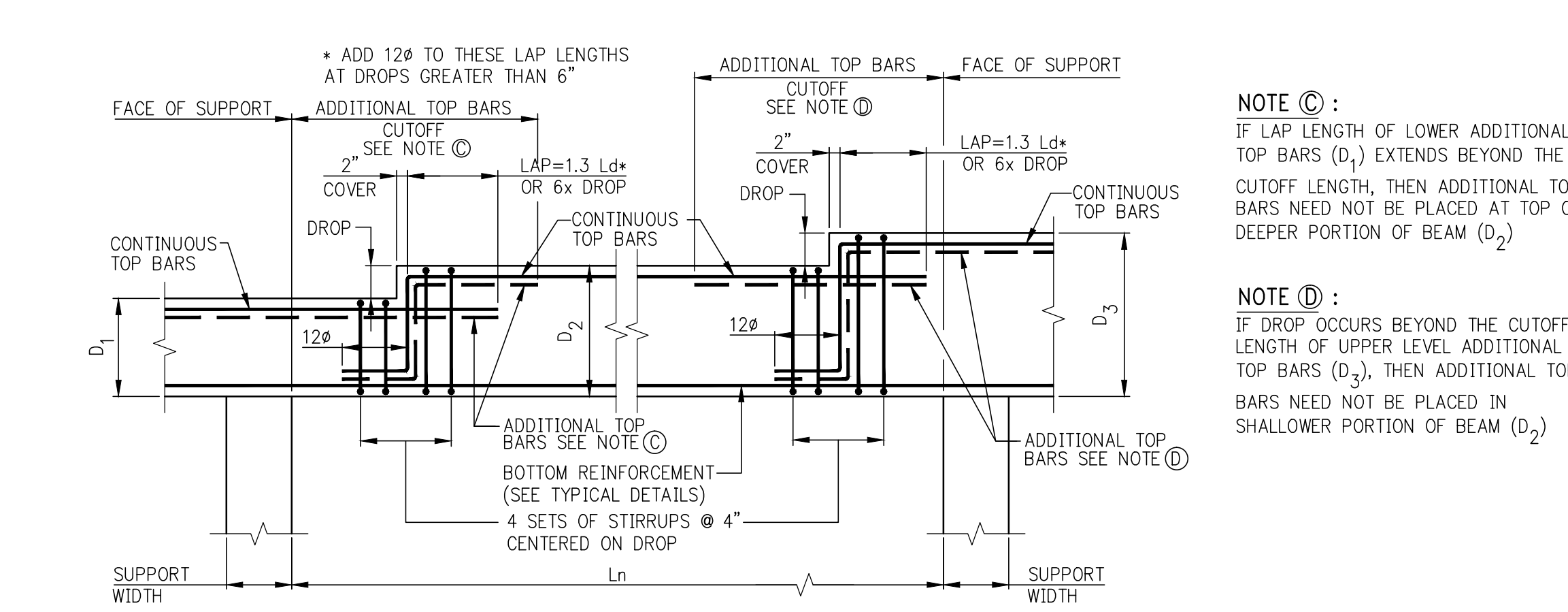
TYPICAL BEAM ELEVATION

MINIMUM SHEAR REINFORCEMENT FOR DEEP BEAMS (D > Ln/4)	MINIMUM STIRRUPS (A <sub>v</sub> ) (SPACING = S <sub>v</sub> )	MINIMUM F BARS (A <sub>w</sub> ) (SPACING = S <sub>w</sub> )
UP TO 12"	1-#4 @ 12" MAX.	#4 E.F. @ 12" MAX.
12" TO 24"	2-#4 @ 12" MAX.	#4 E.F. @ 12" MAX.
24" TO 36"	3-#4 OR 2-#5 @ 12" MAX.	#5 E.F. @ 12" MAX.
36" TO 42"	2-#5 @ 12" MAX.	#6 E.F. @ 12" MAX.
42" TO 48"	4-#4 OR 3-#5 @ 12" MAX.	#6 E.F. @ 12" MAX.
OVER 48"	DESIGNER TO PROVIDE	

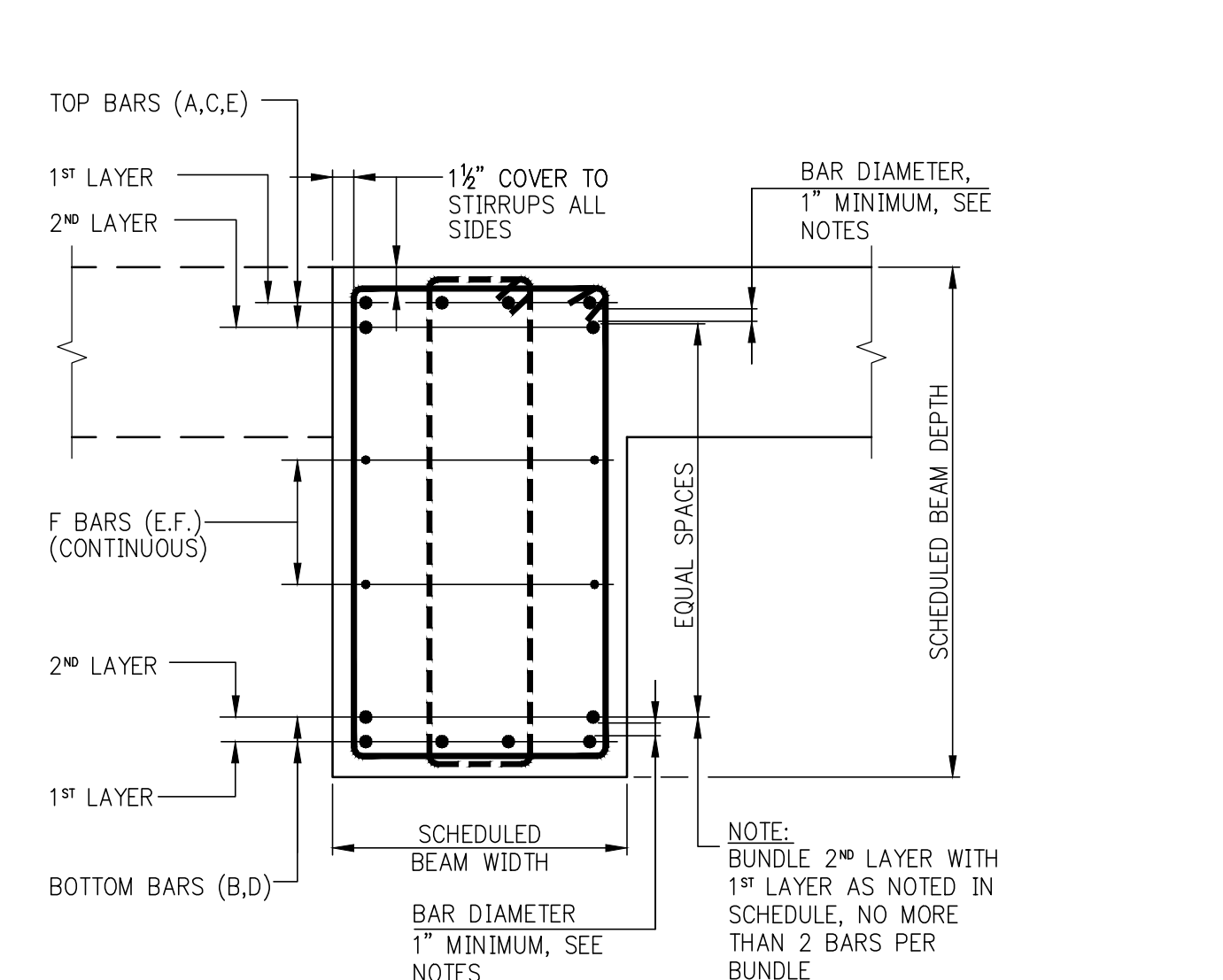
\* PER ACI 11.8.4 AND 11.8.5, SPACINGS S AND S<sub>2</sub> SHALL NOT EXCEED D/5, NOR 12 INCHES.



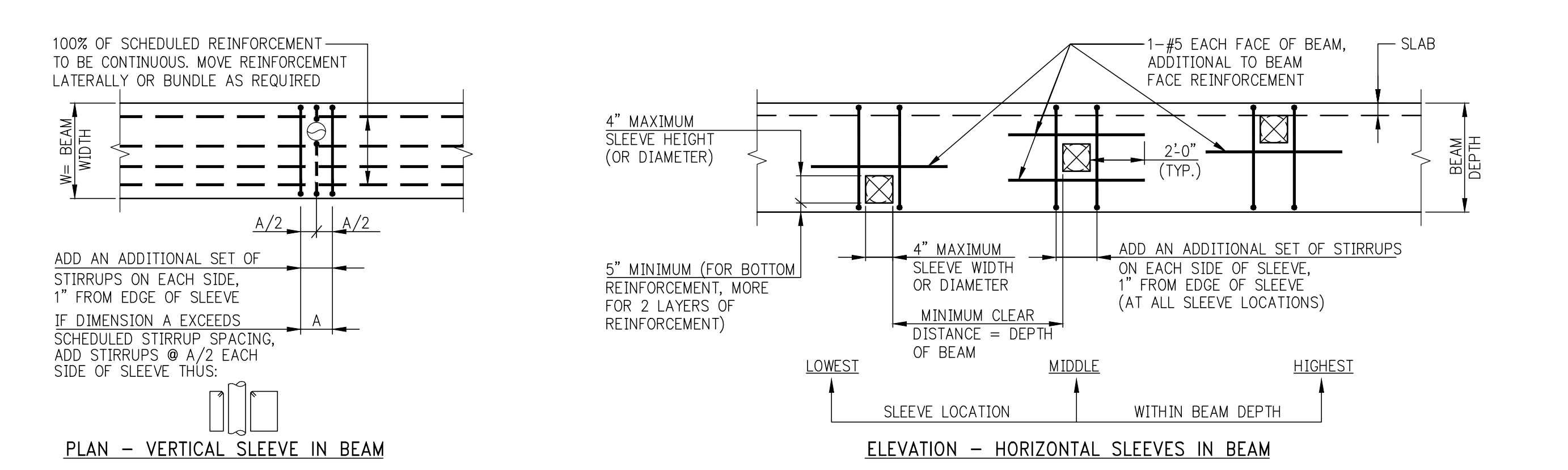
ELEVATION - DROP IN BEAM SOFFIT  
(SLAB NOT SHOWN)



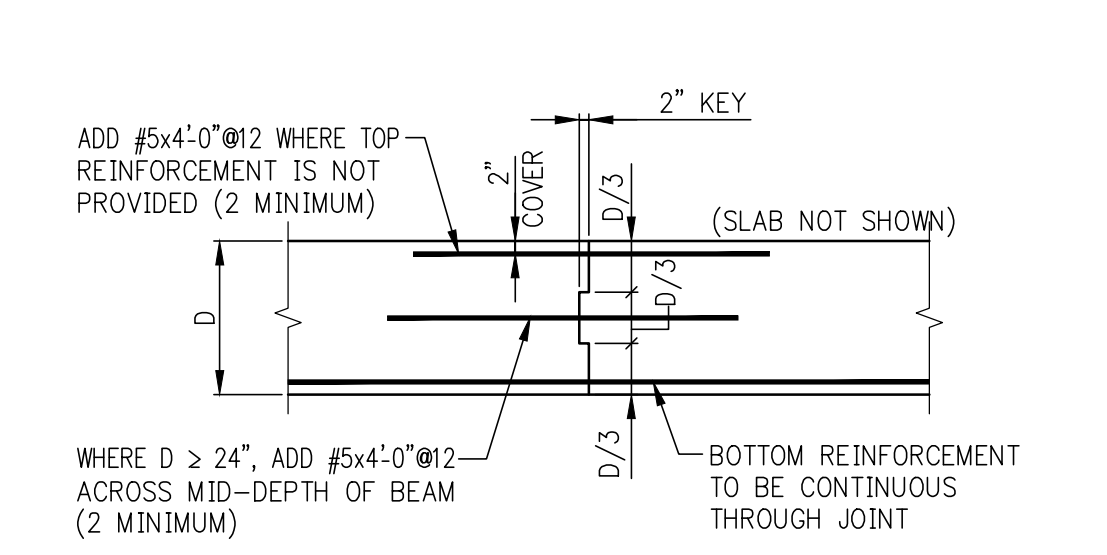
ELEVATION - DROP AT TOP OF BEAM  
(SLAB NOT SHOWN)



- NOTES:
- WHERE BARS ARE PLACED IN TWO LAYERS THE MINIMUM CLEAR DISTANCE BETWEEN LAYERS SHALL BE THE LARGER OF:  
A. BAR DIAMETER, OR B. 1"
  - BEAM REINFORCEMENT SHALL BE LOCATED LATERALLY AS REQUIRED TO CLEAR COLUMN VERTICAL REINFORCEMENT.
  - WHERE BEAMS MEET AND CROSS EACH OTHER AT A SUPPORT, THE SHALLOWER BEAM SHALL HAVE ITS TOP REINFORCEMENT PLACED IN THE OUTERMOST (TOP) LAYER.
  - IN THE EVENT ONE CROSSING BEAM IS A CANTILEVER, THE CANTILEVER BEAM SHALL HAVE ITS TOP REINFORCEMENT PLACED IN THE OUTERMOST (TOP) LAYER.
  - WHERE F BARS (FACE BARS) ARE INDICATED IN THE BEAM SCHEDULE, THEY SHALL BE UNIFORMLY SPACED ON BOTH BEAM FACES AND SHALL BE CONTINUOUS, WITH STAGGERED 30 # LAP SPICES.
  - SEE SCHEDULE OF SHEAR REINFORCEMENT FOR DEEP BEAMS (D > Ln/4) FOR MINIMUM STIRRUP AND FACE BAR REQUIREMENTS.
  - THE FIRST STIRRUP AT EACH END SHALL BE PLACED AT 1/8 THE FIRST SCHEDULED SPACE FROM THE FACE OF SUPPORTING MEMBER. SUBSEQUENT STIRRUPS SHALL BE SPACED AS INDICATED IN THE BEAM SCHEDULE. THE SCHEDULE GIVES NUMBER OF SPACES, NOT NUMBER OF STIRRUPS.
  - WHERE MORE THAN ONE STIRRUP IS INDICATED IN A SET, PLACE EACH SET AT THE SCHEDULED SPACING.
  - SCHEDULED STIRRUP SPACING IS THE SAME AT EACH END UNLESS OTHERWISE NOTED.
  - PROVIDE #6 CLOSED END STIRRUPS @ 18" O/C WHERE SCHEDULED STIRRUPS DO NOT EXTEND TO END OF TOP BARS.

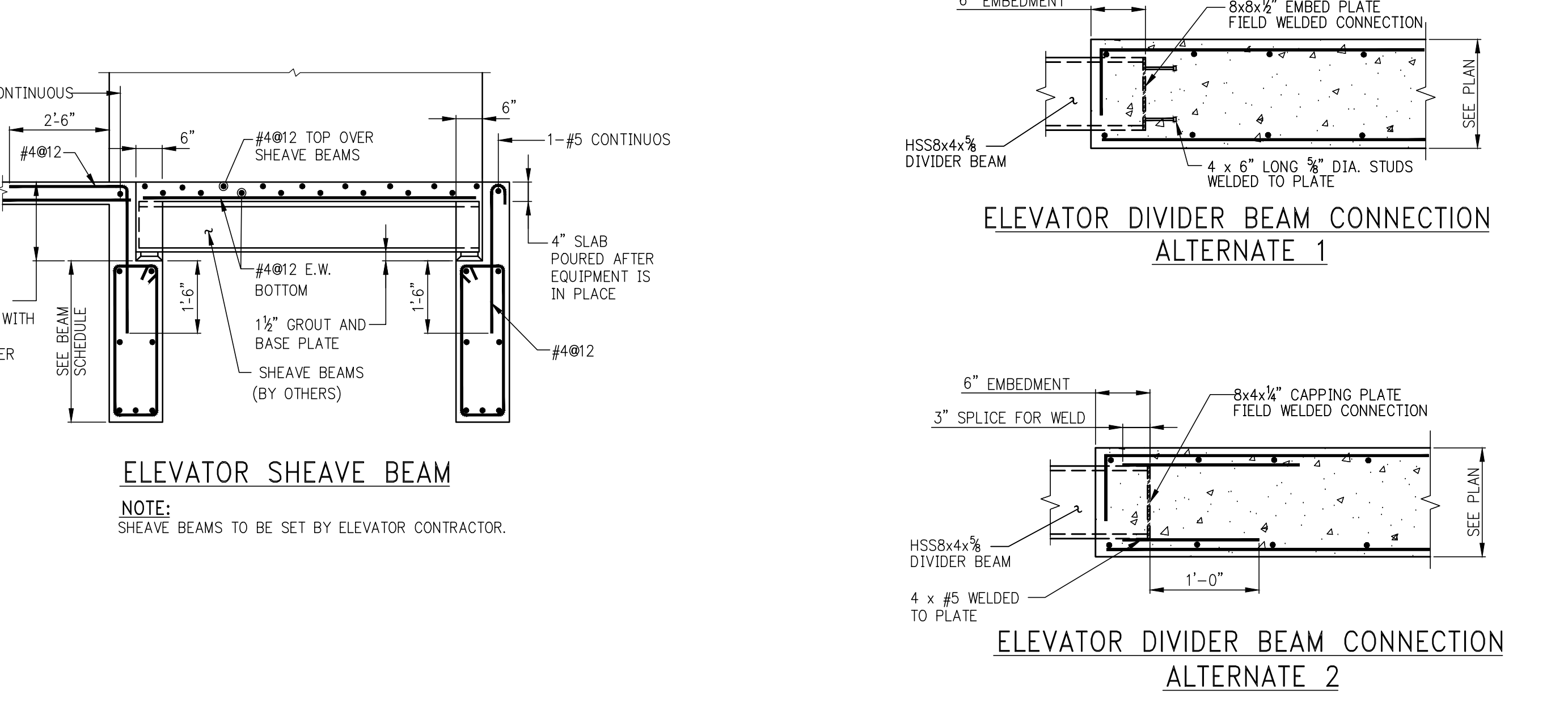


- SLEEVE PENETRATIONS THROUGH BEAMS
- NOTES:
- ALL SCHEDULED BEAM REINFORCEMENT (NOT SHOWN) IS TO BE CONTINUOUS
  - NO OPENINGS LARGER THAN 4" (SQUARE OR ROUND) ARE PERMITTED UNLESS SPECIFICALLY INDICATED ON STRUCTURAL PLANS.



ELEVATION - BEAM CONSTRUCTION JOINT

NOTE:  
CONTRACTOR MUST SUBMIT LOCATIONS OF ALL CONSTRUCTION JOINTS TO THE ENGINEER FOR REVIEW PRIOR TO CONSTRUCTION.



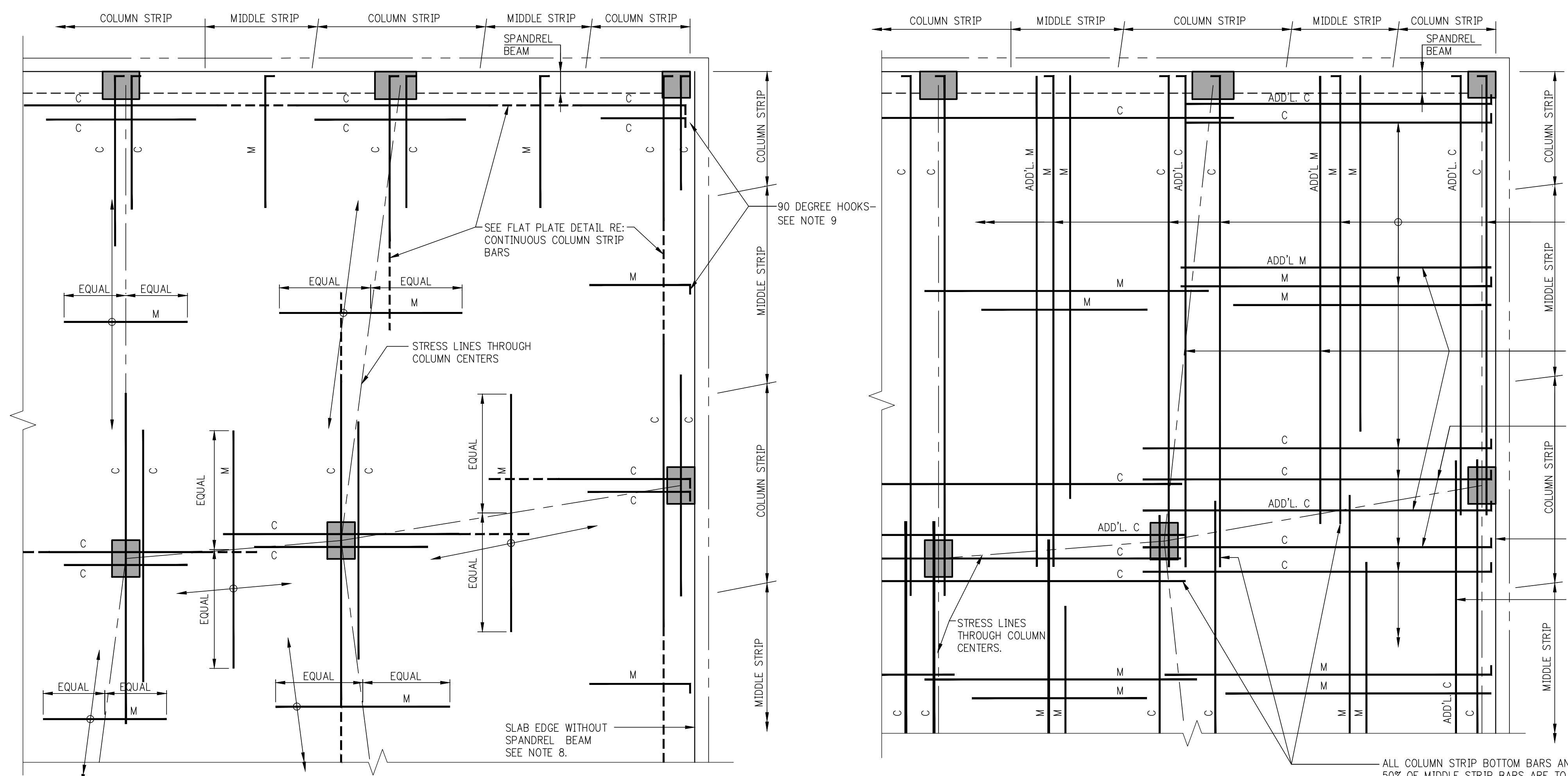
ELEVATOR SHEAVE BEAM  
NOTE:  
SHEAVE BEAMS TO BE SET BY ELEVATOR CONTRACTOR.

ELEVATOR DIVIDER BEAM CONNECTION ALTERNATE 1

ELEVATOR DIVIDER BEAM CONNECTION ALTERNATE 2



ELEVATOR DIVIDER BEAM CONNECTION ALTERNATE 3



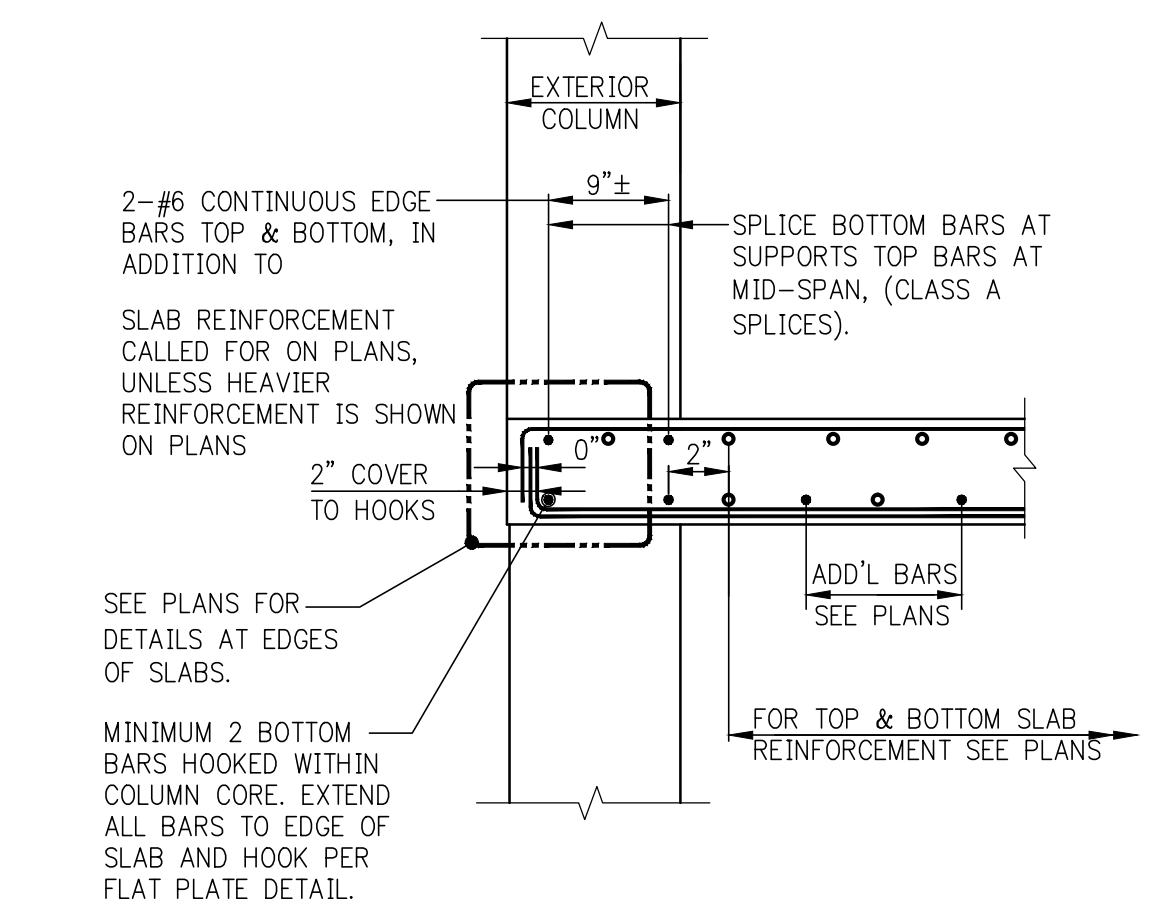
- NOTES FOR TOP REINFORCEMENT**
- 'C' DENOTES COLUMN STRIP BARS (LONG AND SHORT BARS ARE ALTERNATED). 'M' DENOTES MIDDLE STRIP BARS.
  - FOR SIZE, SPACING, NUMBER, ETC. OF REINFORCING BARS, SEE FRAMING PLANS.
  - WHERE COLUMN STRIP BAR LENGTHS ARE SHOWN ON FRAMING PLANS THEY ARE FOR LONGER BARS, WHICH ARE TO BE ALTERNATED WITH SHORTER BARS. SEE TYPICAL FLAT PLATE DETAIL.
  - COLUMN STRIP BARS ARE TO BE CENTERED OVER COLUMNS UNLESS OTHERWISE INDICATED ON PLANS.
  - MIDDLE STRIP BARS ARE TO BE CENTERED OVER STRESS LINES UNLESS OTHERWISE INDICATED ON PLANS.
  - MIDDLE STRIP BARS ARE TO BE SPACED AS SHOWN ON PLANS. FIRST BAR IS TO BE LOCATED A DISTANCE FROM LAST COLUMN STRIP BAR NOT TO EXCEED MIDDLE STRIP BAR SPACING.
  - COLUMN STRIP BARS PARALLEL TO SPANDREL BEAMS ARE TO HAVE FIRST BAR LOCATED AT ONE-HALF SCHEDULED SPACING FROM INSIDE FACE OF BEAM, SIX INCHES MAXIMUM.
  - AT SLAB EDGES WITHOUT SPANDREL BEAMS, SEE TYPICAL DETAIL FOR ADDITIONAL CONTINUOUS EDGE BARS AND FOR COLUMN STRIP BAR PLACEMENT PARALLEL TO SLAB EDGE.
  - PROVIDE 90 DEGREE HOOK AT EVERY DISCONTINUOUS TOP BAR, COLUMN AND MIDDLE STRIPS, AT EDGE OF SLAB, WITH OR WITHOUT SPANDREL BEAMS (2" CLEAR COVER TO HOOK)

- NOTES FOR BOTTOM REINFORCEMENT**
- 'C' DENOTES A COLUMN STRIP BAR, PART OF MAIN GRID. 'ADD'L C' DENOTES COLUMN STRIP BARS ADDITIONAL TO MAIN GRID BARS. 'M' DENOTES A MIDDLE STRIP BAR, PART OF MAIN GRID. 'ADD'L M' DENOTES MIDDLE STRIP BARS ADDITIONAL TO MAIN GRID BARS.
  - PLACE ADDITIONAL BARS BETWEEN MAIN GRID BARS. IN COLUMN STRIPS GROUP ABOUT STRESS LINE. IN MIDDLE STRIPS DISTRIBUTE THROUGHOUT STRIP.
  - ALL COLUMN STRIP BOTTOM BARS ARE TO BE HOOKED 90° AT EDGES OF SLAB OR AT SLAB OPENINGS, OR AT OTHER DISCONTINUITIES.
  - MIDDLE STRIP BOTTOM BARS ARE TO EXTEND TO EDGE OF SLAB WHERE 50% OF BARS ARE TO BE HOOKED.
  - IN EDGE STRIP WITHOUT SPANDREL BEAMS START ADDITIONAL BARS TWO INCHES FROM CONTINUOUS EDGE BARS - SEE TYPICAL DETAIL AT EDGE OF SLAB.

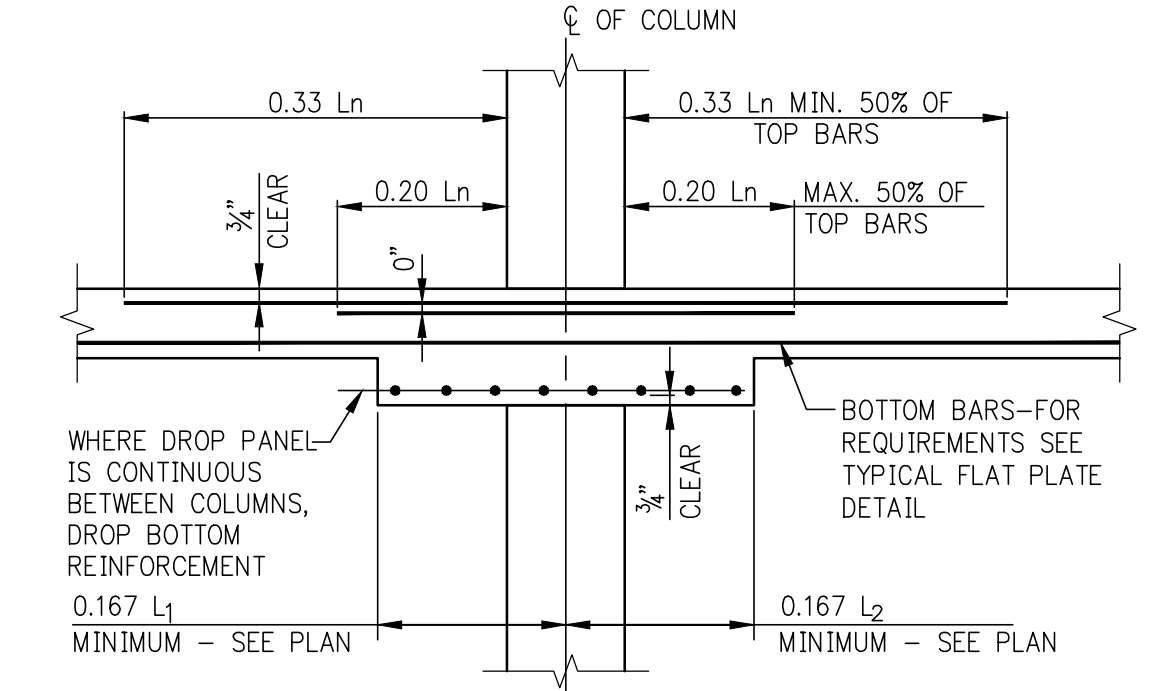
BAR LENGTH EXTENSIONS REQUIRED AT EPOXY COATED REINFORCEMENT (WHERE SPECIFIED ON PLANS)

- TO REINFORCING BAR LENGTHS SHOWN ON PLAN OR AS DETERMINED FROM TYPICAL DETAILS, ADD AN ADDITIONAL LENGTH AT EACH END (EXCEPT AT HOOKED BARS) EQUAL TO 50% OF  $L_d$ , BAR DEVELOPMENT LENGTH FOR SLABS. SEE TABLE.
- DEVELOPMENT LENGTHS  $L_d$  AND LAP SPLICE LENGTHS SHOWN ARE TO BE INCREASED BY 50% OVER VALUES FOR UNCOATED BARS.

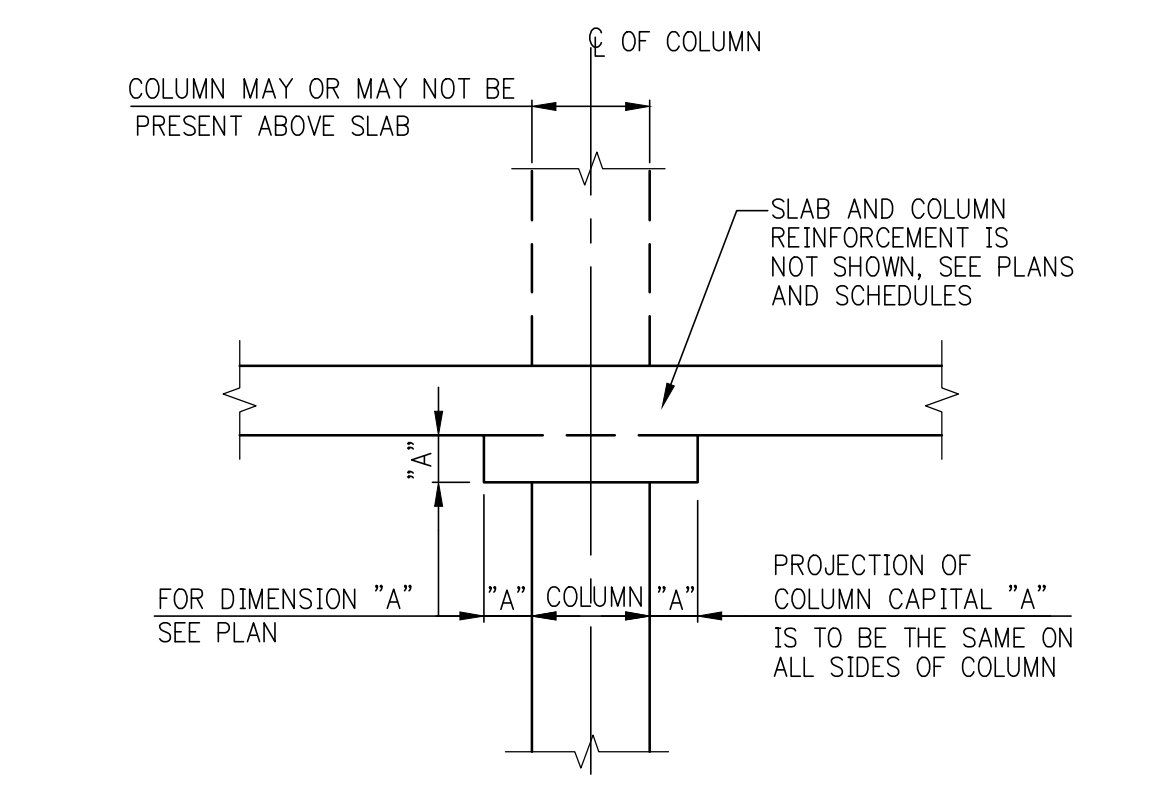
**FLAT SLAB REINFORCEMENT DETAILS**



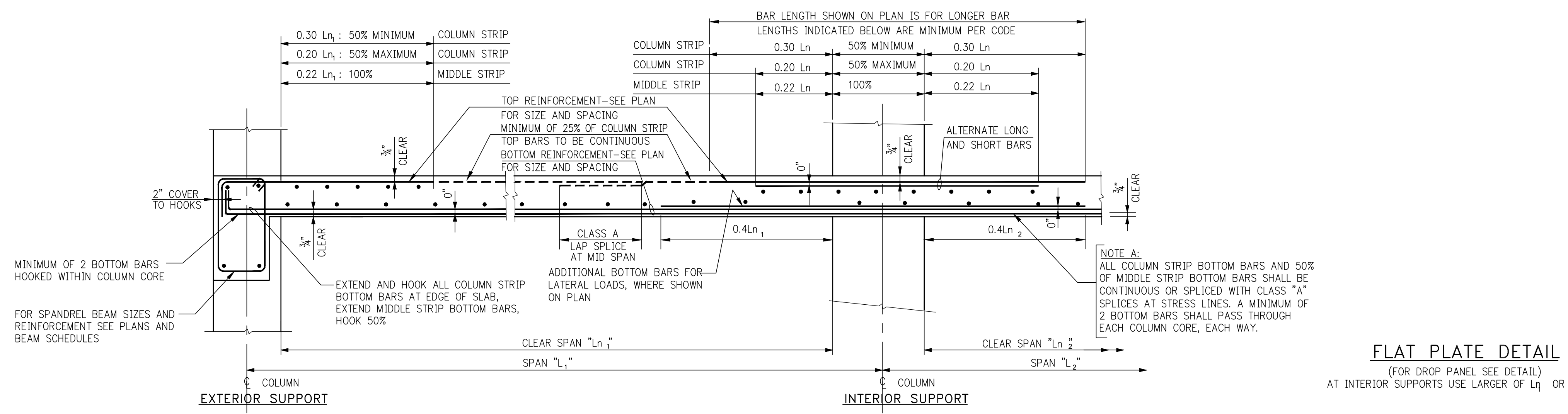
**EDGE OF SLAB WITHOUT BEAM**



**FLAT SLAB WITH DROP PANELS AT COLUMN STRIP**  
(MID-STRIP BARS SAME AS TYPICAL FLAT PLATE DETAIL)



**COLUMN WITH CAPITAL**



**FLAT PLATE DETAIL**  
(FOR DROP PANEL SEE DETAIL)  
AT INTERIOR SUPPORTS USE LARGER OF  $L_1$  OR  $L_2$  FOR  $L_n$

PROJECT:  
**138 EAST 50TH ST.  
NEW YORK, NY**

OWNER/DEVELOPER:  
**CERUZZI PROPERTIES, LLC**  
400 PARK AVENUE, 5th FLOOR  
NEW YORK, NY 10022  
TEL: (212) 300-1700

ARCHITECT OF RECORD:  
**SLCEArchitects, LLP**  
1359 BROADWAY, 14th FLOOR  
NEW YORK, NY 10018  
TEL: (212) 979-8400  
FAX: (212) 979-8387

DESIGN ARCHITECT:  
**Pelli Clarke Pelli Architects**  
322 EIGHTH AVENUE  
NEW YORK, NY 10001  
TEL: (212) 417-9474  
FAX: (212) 417-9477

STRUCTURAL ENGINEER:  
**WSP**  
228 East 45th St.  
New York, NY 10017  
(212) 687-9888  
www.wspgroup.com/usa

M.E.P. ENGINEER:  
**MGE**  
MGE Engineering D.P.C. / an engineer success  
118 West 32nd Street, 12th Floor, New York, NY 10001  
TEL: (212) 463-0500 www.mgepc.net

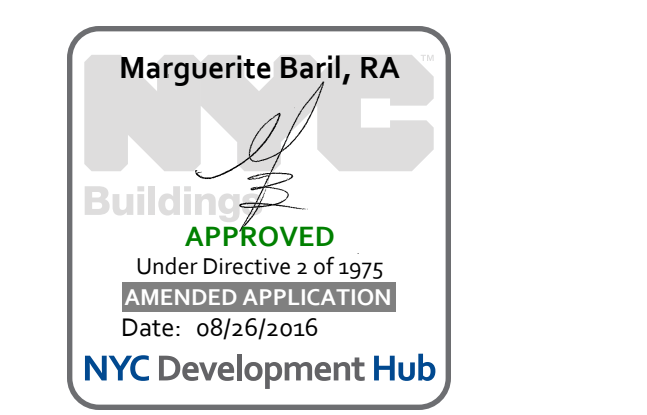
CIVIL ENGINEER:  
**Philip Habis & Associates**  
102 MADISON AVENUE, 11th FLOOR  
NEW YORK, NY 10016  
TEL: (212) 929-5656  
FAX: (212) 679-5655

DOB EXPEDITOR:  
**JAM Consultants, Inc.**  
104 WEST 29th STREET, 9th FLOOR  
NEW YORK, NY 10001  
TEL: (212) 244-4427  
FAX: (212) 244-4497

VERTICAL TRANSPORTATION CONSULTANT:  
**Jenkins & Huntington, Inc.**  
1251 AVENUE OF THE AMERICAS  
NEW YORK, NY 10020  
TEL: (212) 476-1818  
FAX: (212) 676-4528

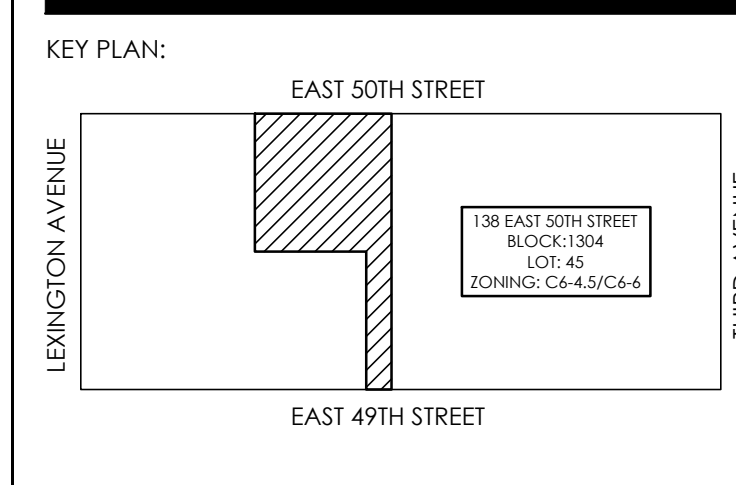
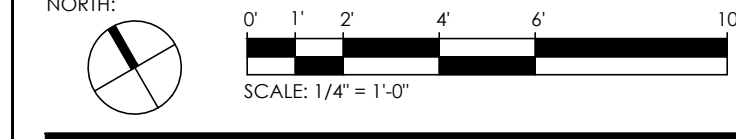
ZONING CONSULTANT:  
**Development Consulting Services**  
330 WEST 42ND STREET  
NEW YORK, NY 10018  
TEL: (212) 714-0282  
FAX: (212) 714-0283

INTERIOR WALL CONSULTANT:  
**Vidaris, Incorporated**  
340 PARK AVENUE SOUTH, 15th FL.  
NEW YORK, NY 10010  
TEL: (212) 689-5389



NO.	DATE	REVISION
05-18-15	ISSUE TO DOB	
02-18-15	REVISED SUPERSTRUCTURE	
02-03-15	REVISED SUPERSTRUCTURE	
11-17-15	REVISED SUPERSTRUCTURE FOR BID	
08-21-15	ADDITIONAL FRAMING SET	
1	08-03-15	ISSUE FOR SUPERSTRUCTURE BID

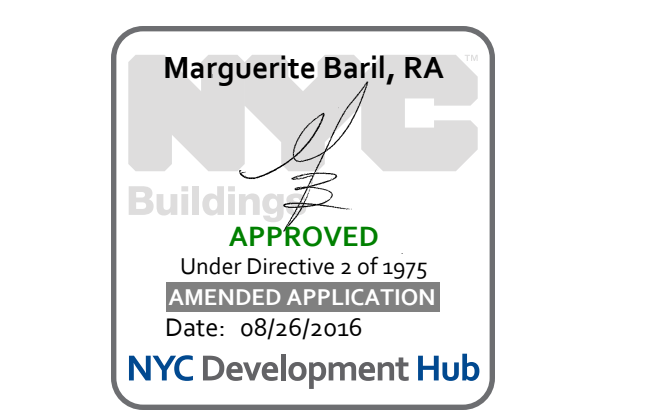
DOB NUMBER:  
**NB#**



PROJECT:  
**138 EAST 50TH STREET  
NEW YORK, N.Y.**

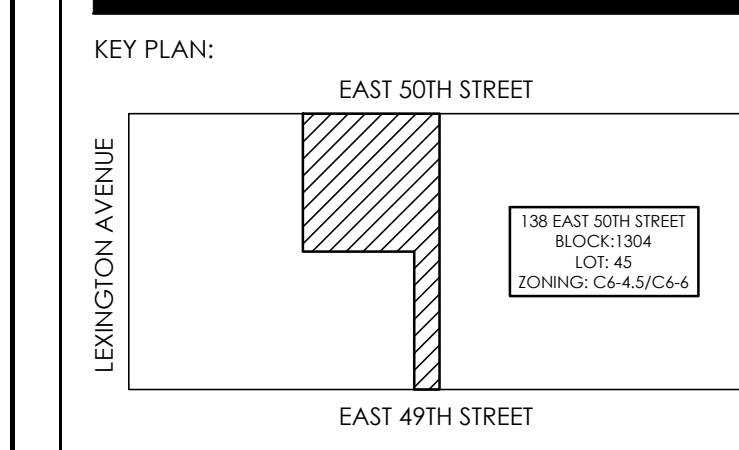
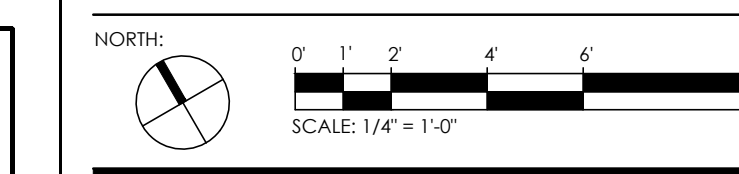
DRAWING TITLE:  
**TYPICAL SUPERSTRUCTURE DETAIL 2**

SEAL & SIGNATURE:  
 DATE: 05/14/2015  
PROJECT No.: 1590031  
DRAWN BY: CASO  
CHECKED BY: CS  
DWG. No.:  
**S-961.00**  
SHEET No.: of 0



05-18-18	ISSUE TO DOB
02-18-18	REVISED SUPERSTRUCTURE
02-03-18	REVISED SUPERSTRUCTURE
11-17-15	REVISED SUPERSTRUCTURE FOR BID
08-17-15	ADDITIONAL FLOORING SET
1	08-03-15 ISSUE FOR SUPERSTRUCTURE BID
DATE:	REVISION:

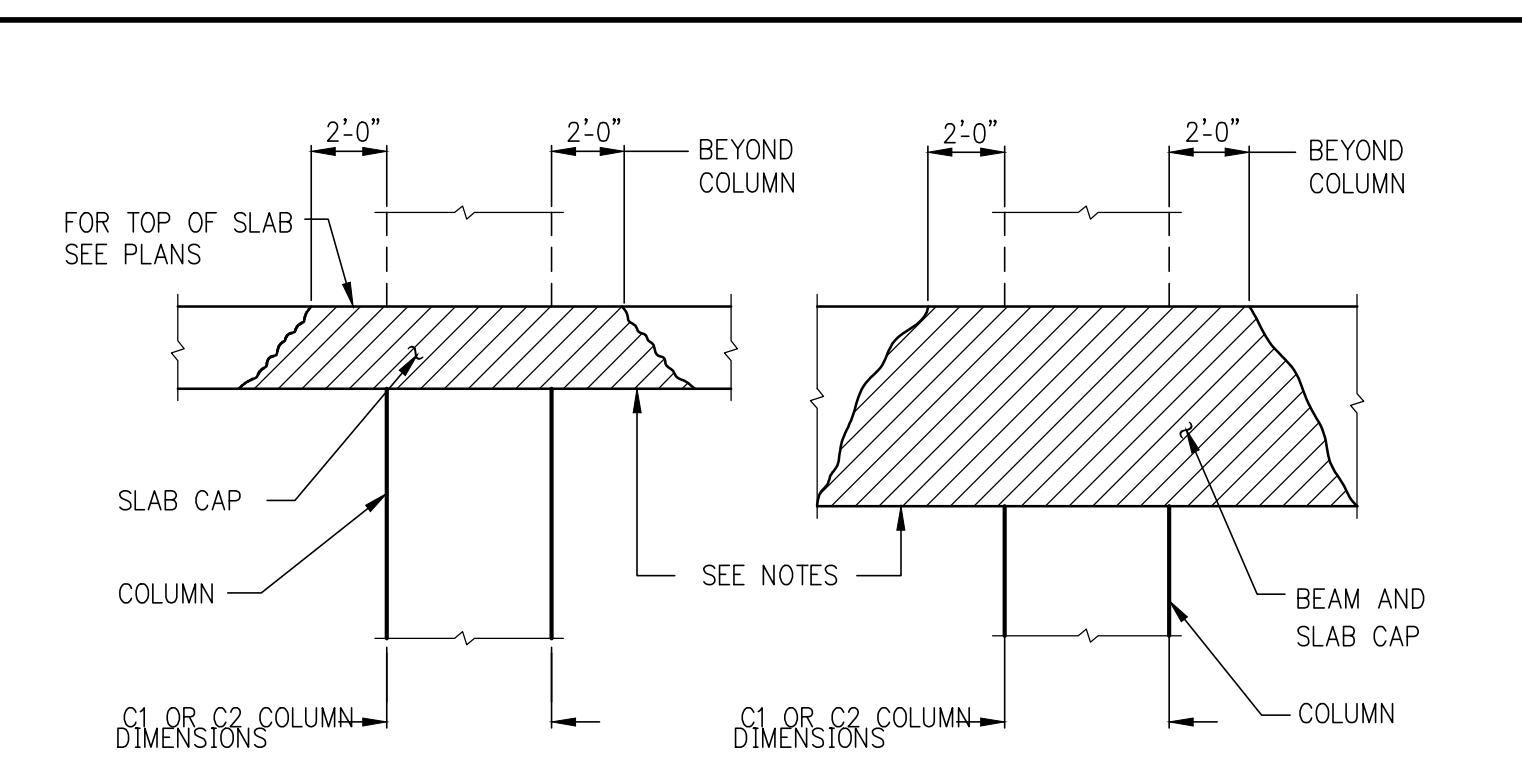
DOB NUMBER:  
**NB#**



PROJECT:  
138 EAST 50TH STREET  
NEW YORK, N.Y.

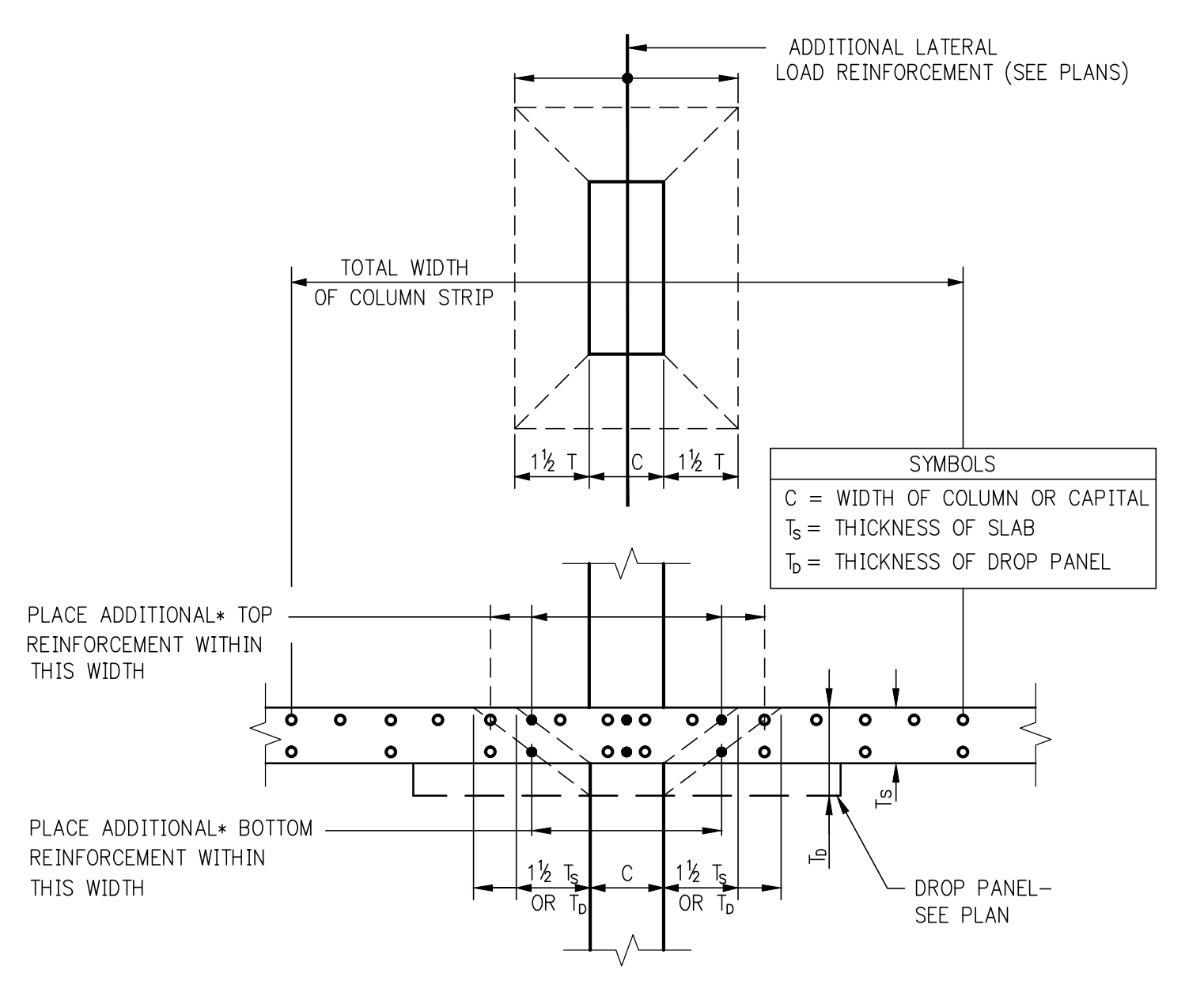
DRAWING TITLE:  
**TYPICAL SUPERSTRUCTURE DETAIL 3**

SEAL & SIGNATURE:  
  
DATE: 05/14/2015  
PROJECT No.: 1590031  
DRAWN BY: CASO  
CHECKED BY: CS  
DWG. No.:  
**S-962.00**  
SHEET No.: of 0



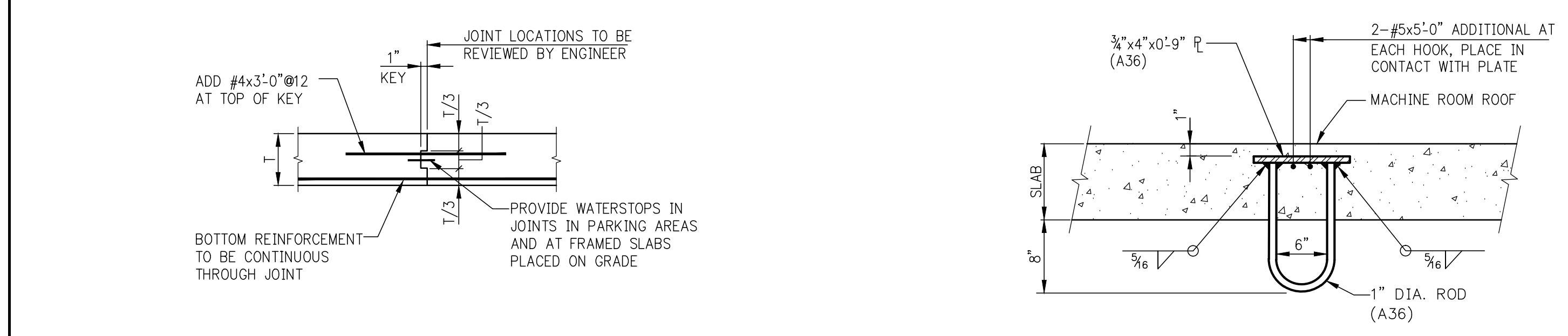
**BEAM AND SLAB CONCRETE PLACEMENT AT HIGH STRENGTH CONCRETE COLUMN OR WALL**

- NOTES:
- IN CONFORMANCE WITH 10.13 OF ACI 318-89 (10.15 IN 2002 CODE), USE THIS DETAIL WHEN THE SPECIFIED CONCRETE STRENGTH IN COLUMN/WALL IS GREATER THAN 1.4 TIMES THAT SPECIFIED FOR THE FLOOR SYSTEM.
  - CAP SHALL BE NORMAL-WEIGHT STONE CONCRETE, EQUAL IN STRENGTH TO THAT SPECIFIED FOR THE COLUMN/WALL. CAP SHALL EXTEND BEYOND COLUMN/WALL IN ALL DIRECTIONS AS SHOWN ABOVE.
  - CAP CONCRETE SHALL NOT BE PLACED OVER THE COLUMN/WALL UNTIL COLUMN/WALL CONCRETE IS NO LONGER PLASTIC, BUT IN NO CASE LESS THAN TWO HOURS AFTER COLUMN/WALL CONCRETE PLACEMENT HAS BEEN COMPLETED.
  - THE BALANCE OF CONCRETE IN SLAB AND BEAMS SHALL BE PLACED WHILE CAP CONCRETE IS STILL IN A WORKABLE PLASTIC CONDITION, BEFORE INITIAL SET. RETEMPERING OF CONCRETE WILL NOT BE PERMITTED.
  - IN LIEU OF PLACING TWO DIFFERENT STRENGTHS OF CONCRETE WITHIN THE SAME FLOOR SYSTEM, THE CONTRACTOR MAY ELECT (AT NO ADDITIONAL COST TO THE OWNER) TO PLACE ONE STRENGTH THROUGHOUT THE ENTIRE FLOOR. THE MINIMUM FLOOR CONCRETE STRENGTH REQUIRED BY ACI CODE WOULD BE 0.72 TIMES THE SPECIFIED STRENGTH OF CONCRETE IN THE COLUMNS/WALLS, UP TO 10,000 PSI COLUMN/WALL CONCRETE.
  - WHEN COLUMN/WALL CONCRETE STRENGTH EXCEEDS 10,000 PSI, THE CAP DETAILS SHOWN ABOVE MUST BE FOLLOWED, USING CAPS OF SAME CONCRETE STRENGTH AS IN COLUMNS/WALLS, AND THE STRENGTH SPECIFIED ON THE DRAWINGS FOR THE BALANCE OF THE FLOOR SYSTEM.

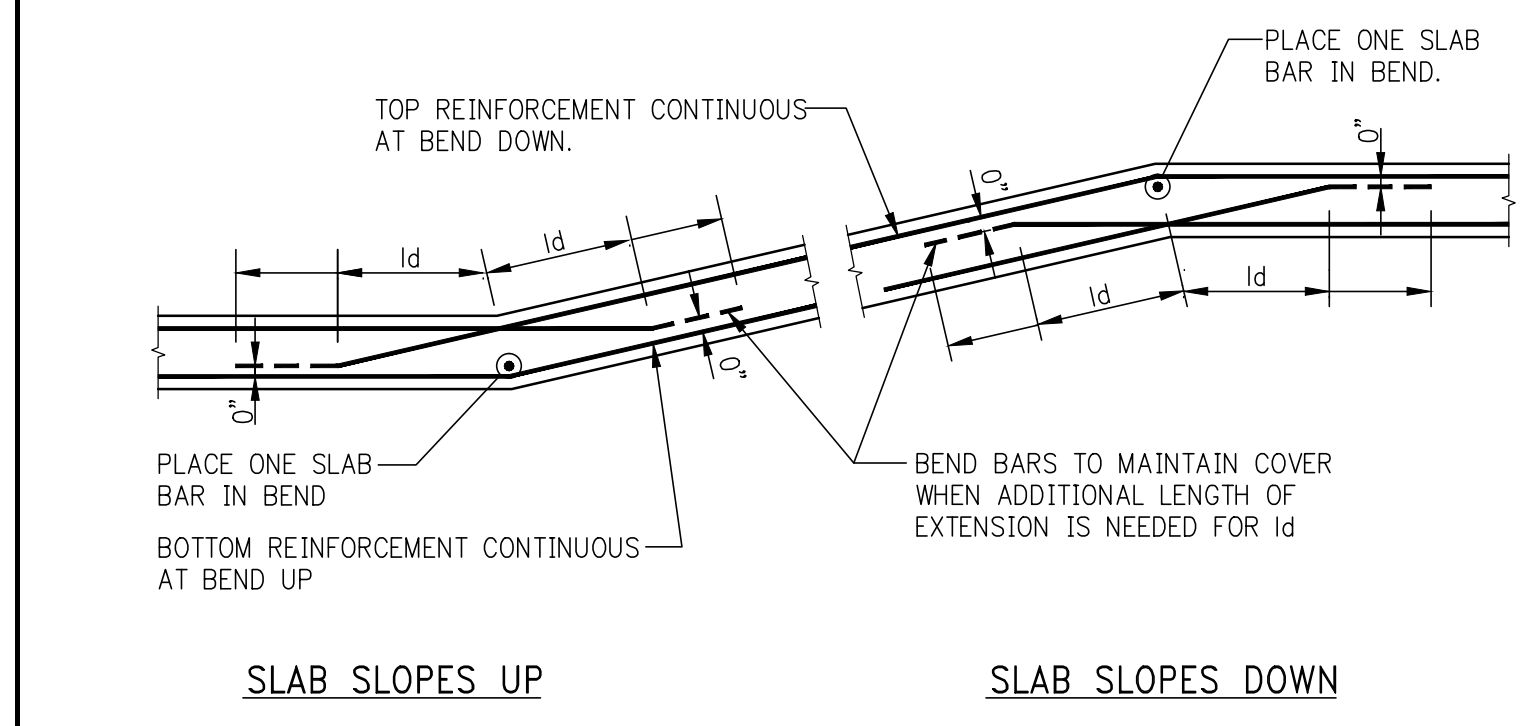


**ADDITIONAL COLUMN STRIP REINFORCEMENT DUE TO LATERAL LOAD (WIND OR SEISMIC)**

NOTE:  
ADDITIONAL TOP OR BOTTOM BARS ARE NOTED ON PLAN WITH AN ASTERISK \*

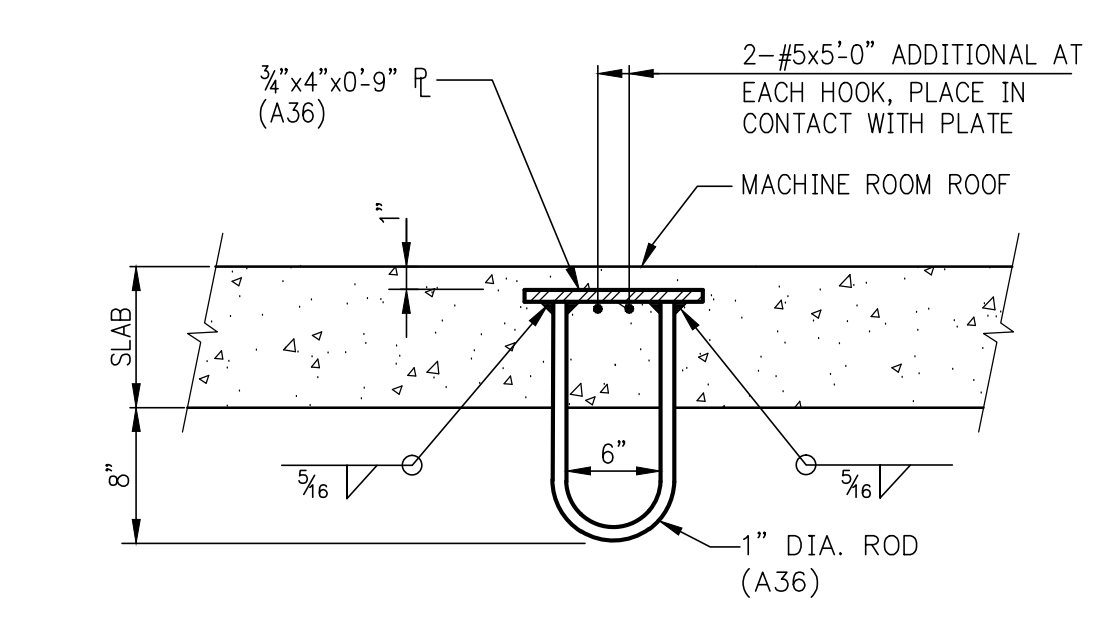


**SLAB CONSTRUCTION JOINT**



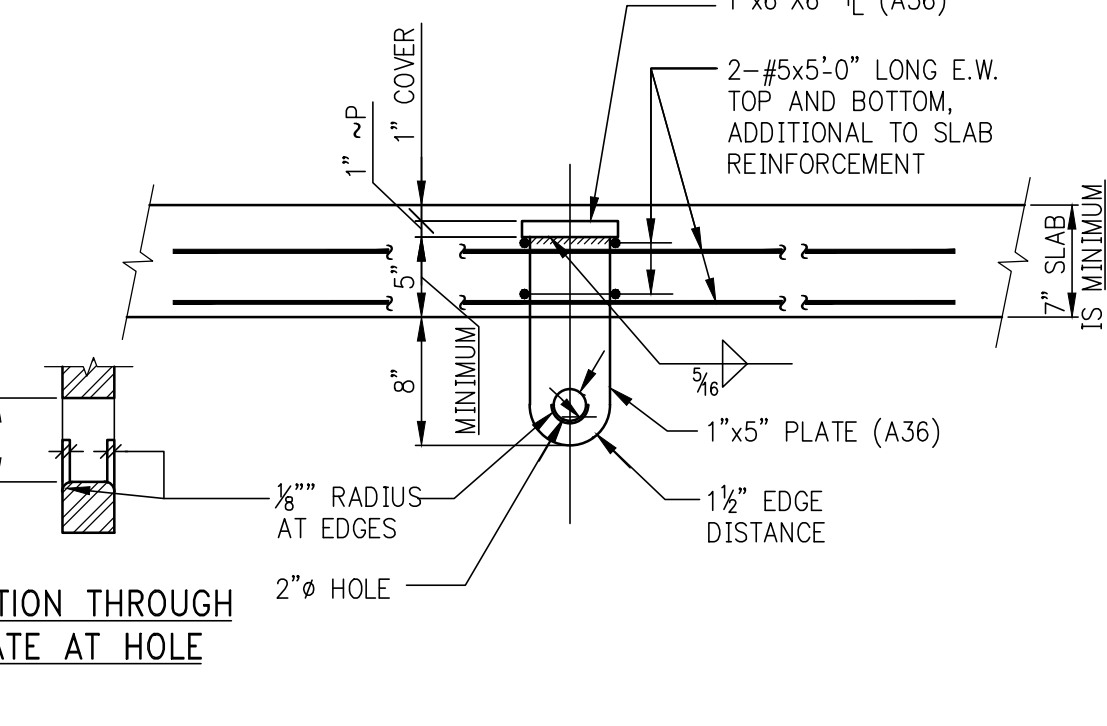
**BEND IN SLAB**

NOTE:  
BARS IN OTHER DIRECTION ARE NOT SHOWN - SEE PLANS.



**LIFTING HOOK AT ELEVATOR**

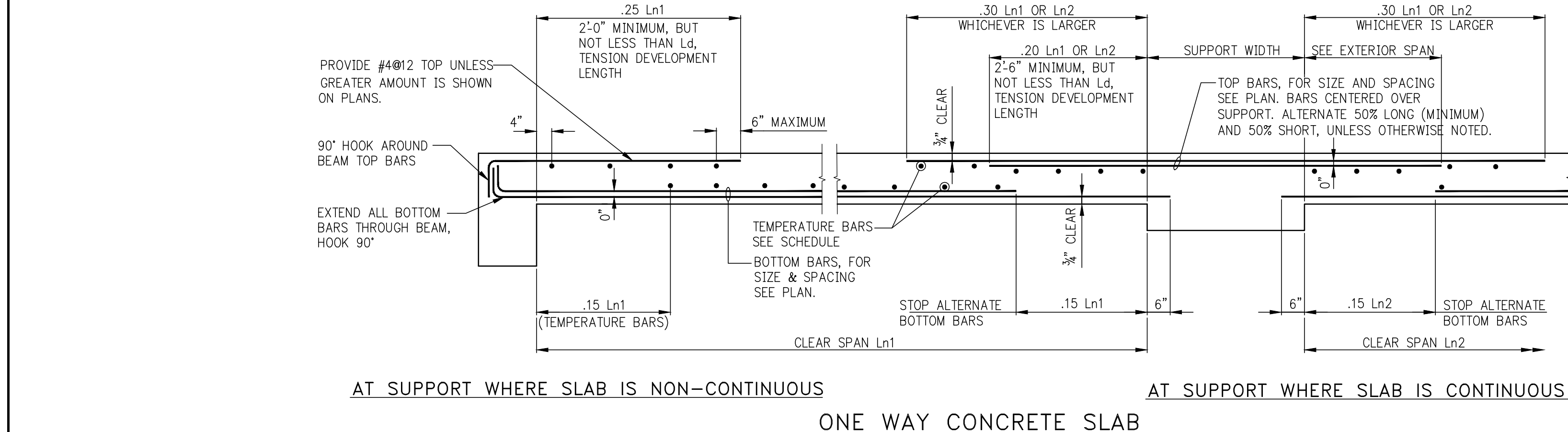
MAXIMUM SERVICE LOAD LIFTING CAPACITY = 2,000 POUNDS FOR HEAVIER LOADS A SOLID PLATE WITH HOLE MUST BE PROVIDED.



**HEAVY LIFTING "PADEYE" PLATE AT ELEVATOR**

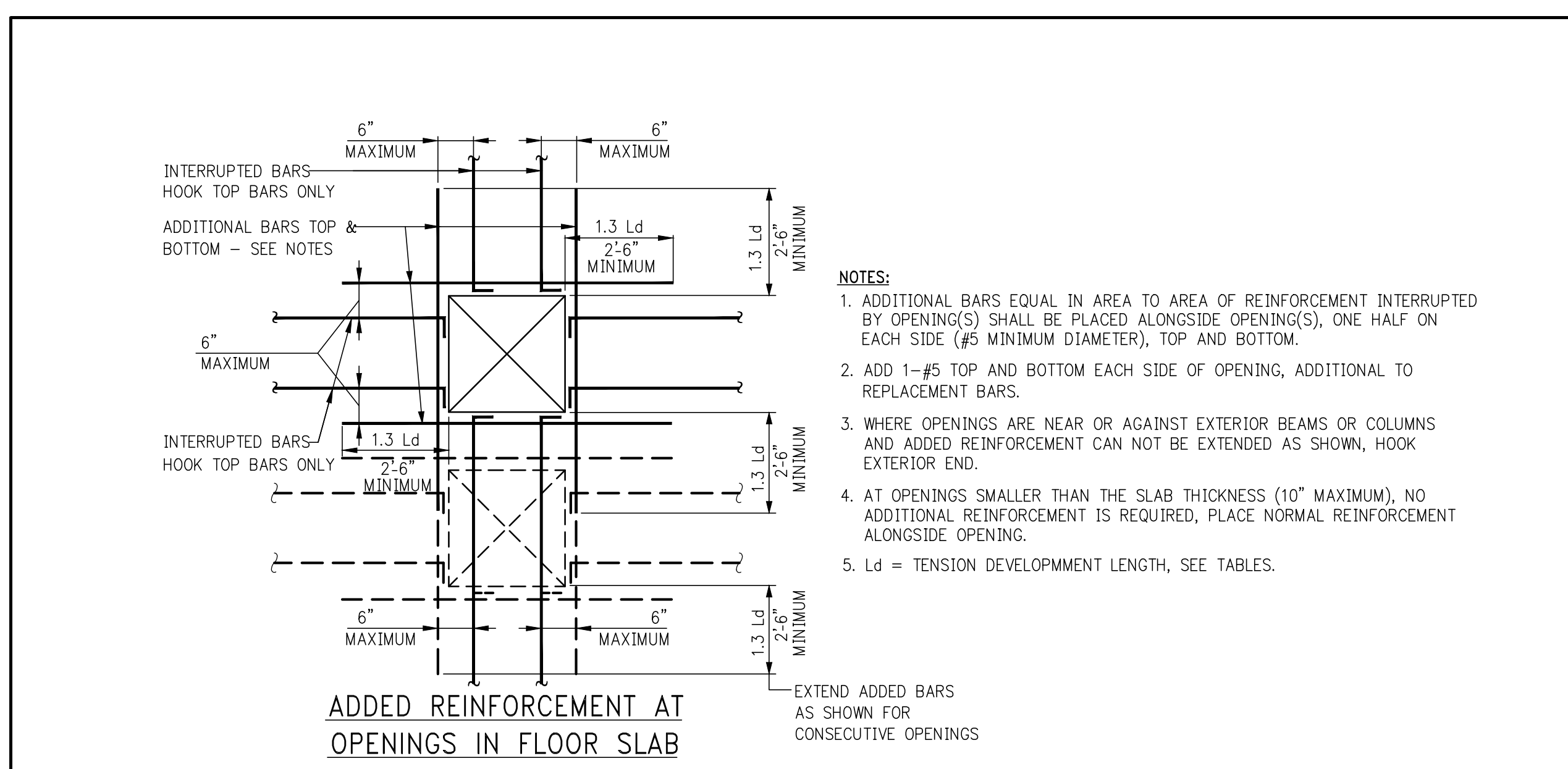
MAXIMUM SERVICE LOAD LIFTING CAPACITY = 12,000 POUNDS.

- NOTES:
- SLAB REINFORCEMENT IS NOT SHOWN.
  - PLACE ADDITIONAL #5 BOTTOM BARS IN THE SAME PLANE(S) AS SLAB BOTTOM REINFORCEMENT.



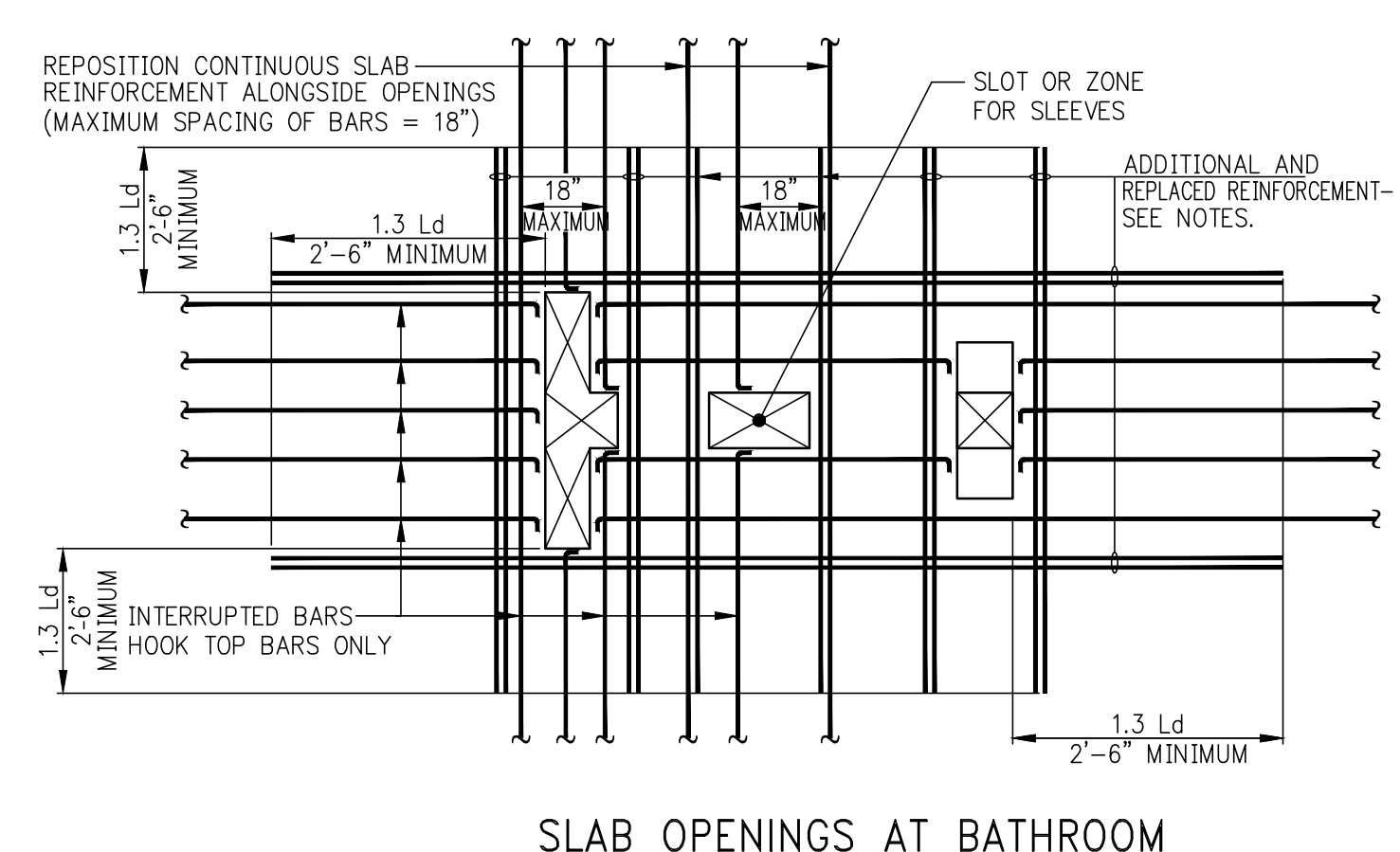
**MINIMUM TEMPERATURE REINFORCEMENT ONE WAY SLABS**

SLAB THICKNESS	MIN. TEMPERATURE REINFORCEMENT
UP TO 6"	#4@18
6" TO 7"	#4@16
7" TO 8"	#4@14
8" TO 9"	#4@12
9" TO 10"	#4@10 OR #5@15
10" TO 12"	#4@9 OR #5@14
12" TO 14"	#4@8 OR #5@12
14" TO 16"	#5@10
OVER 16"	BY DESIGNER

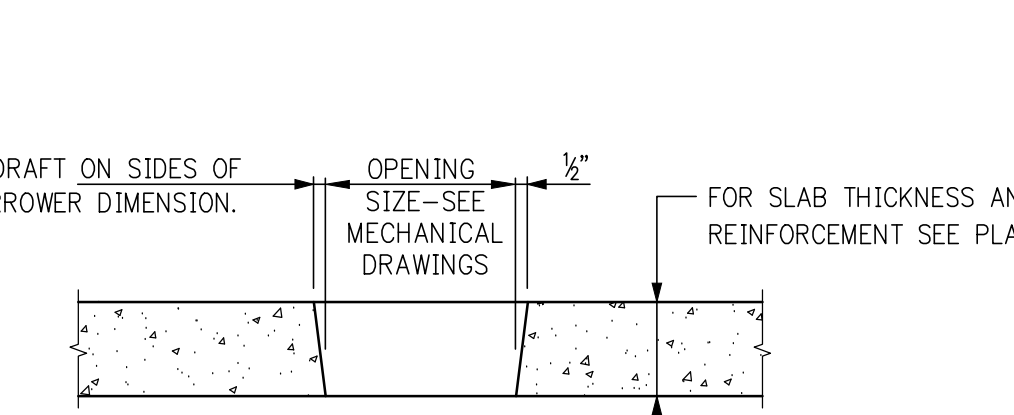


**ADDED REINFORCEMENT AT OPENINGS IN FLOOR SLAB**

- NOTES:
- ADDITIONAL BARS EQUAL IN AREA TO AREA OF REINFORCEMENT INTERRUPTED BY OPENING(S) SHALL BE PLACED ALONGSIDE OPENING(S), ONE HALF ON EACH SIDE (#5 MINIMUM DIAMETER), TOP AND BOTTOM.
  - ADD 1-#5 TOP AND BOTTOM EACH SIDE OF OPENING, ADDITIONAL TO REPLACEMENT BARS.
  - WHERE OPENINGS ARE NEAR OR AGAINST EXTERIOR BEAMS OR COLUMNS AND ADDED REINFORCEMENT CAN NOT BE EXTENDED AS SHOWN, HOOK EXTERIOR END.
  - AT OPENINGS SMALLER THAN THE SLAB THICKNESS (10" MAXIMUM), NO ADDITIONAL REINFORCEMENT IS REQUIRED, PLACE NORMAL REINFORCEMENT ALONGSIDE OPENING.
  - Ld = TENSION DEVELOPMENT LENGTH, SEE TABLES.

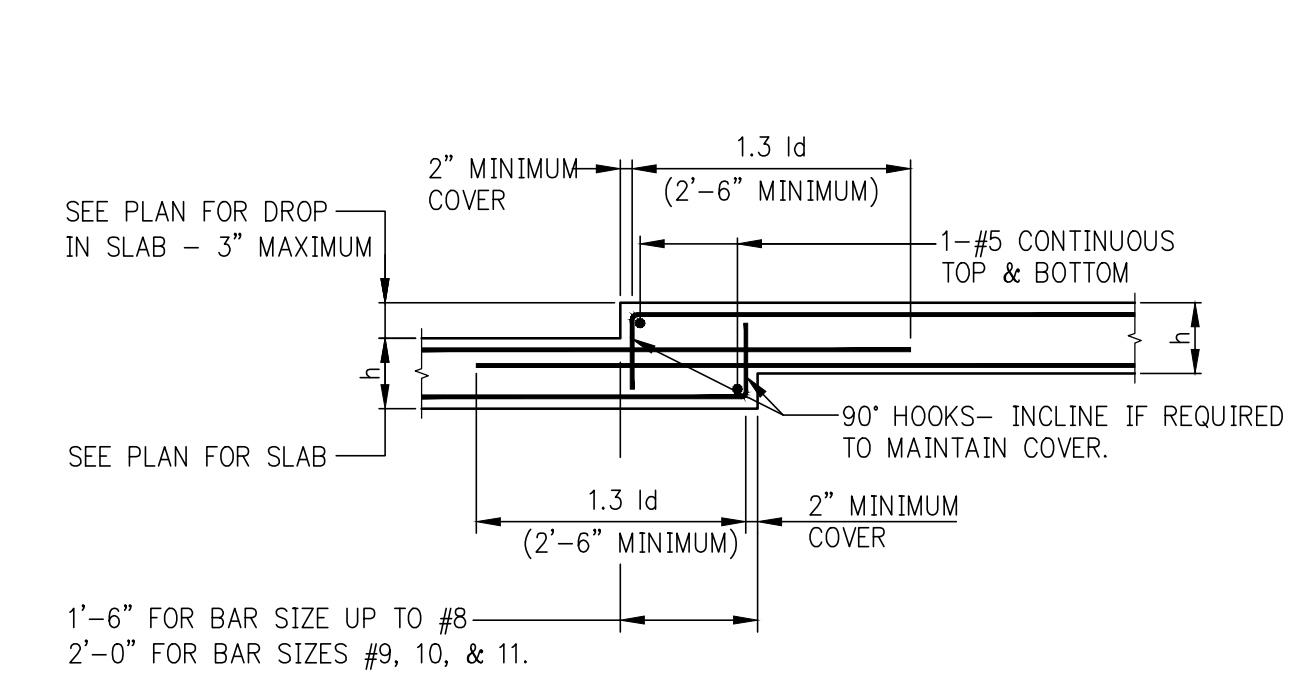


**SLAB OPENINGS AT BATHROOM**

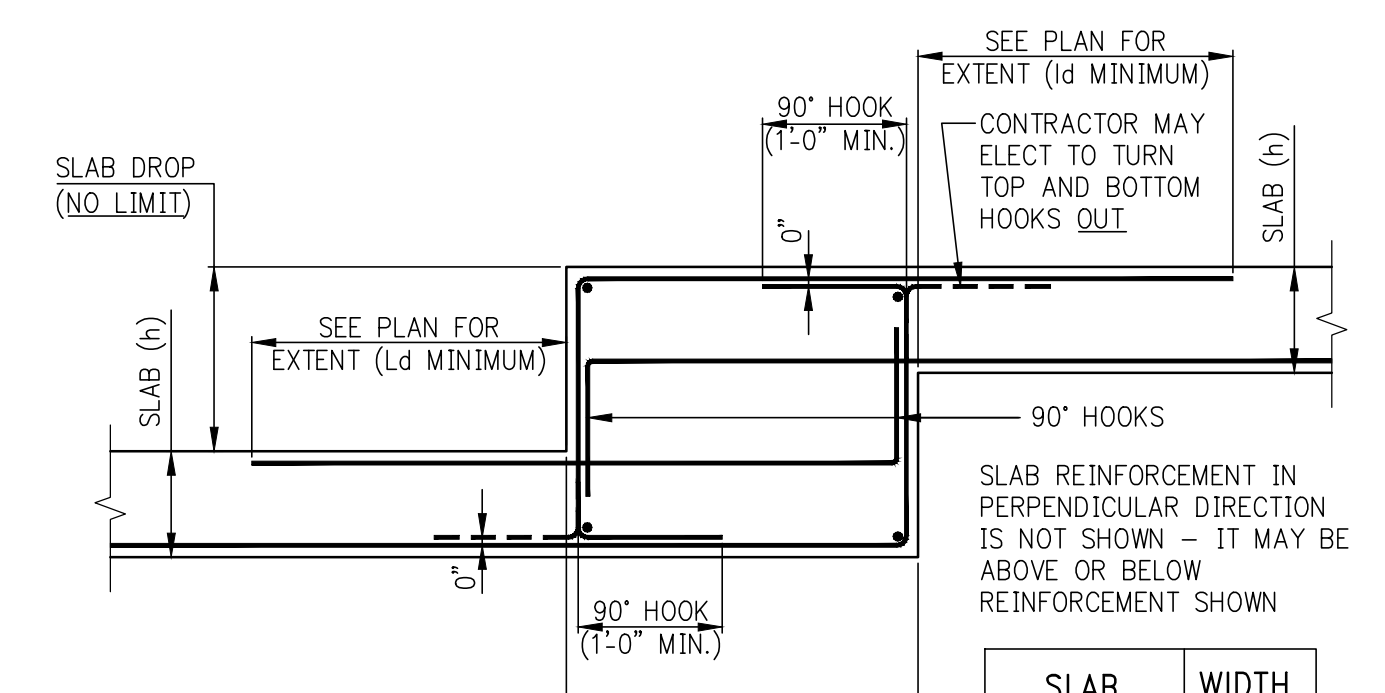


**PLUMBING OPENING (SLOT) IN SLAB**

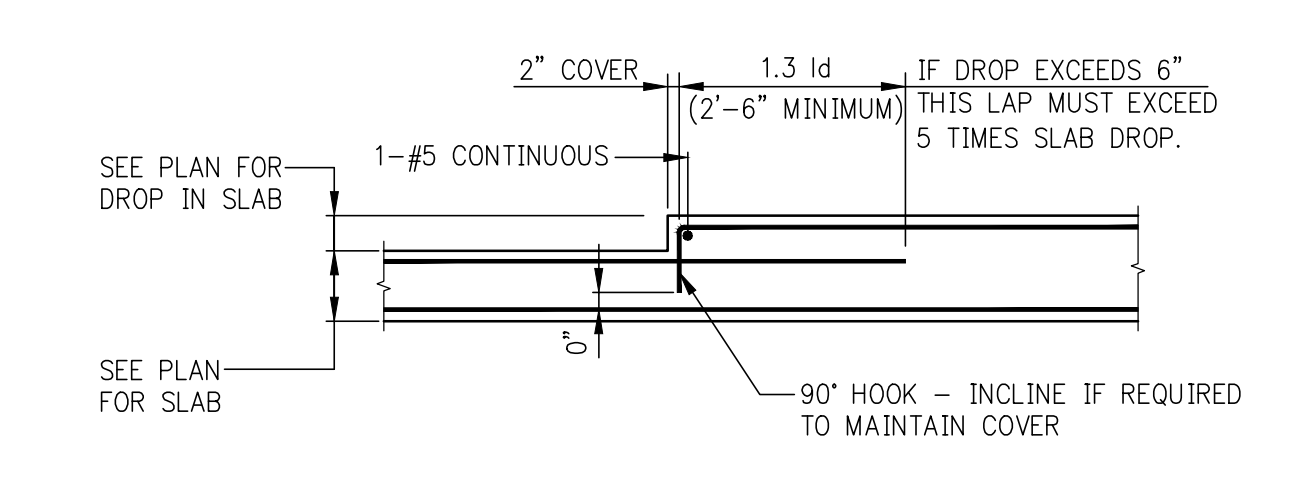
- NOTES:
- FOR LOCATIONS AND DIMENSIONS OF PLUMBING OPENINGS SEE MECHANICAL AND/OR ARCHITECTURAL DRAWINGS.
  - FILL ALL OPENINGS WITH CONCRETE AFTER PIPING HAS BEEN INSTALLED.
  - FOR SLAB REINFORCEMENT DETAILS ALONGSIDE OPENINGS SEE DETAIL OF "ADDED REINFORCEMENT AT OPENINGS IN FLOOR SLAB".
  - MINIMUM REQUIREMENTS ARE SHOWN IN THESE DETAILS. SEE PLAN FOR ADDITIONAL REQUIREMENTS.



**DROP IN TOP AND BOTTOM OF SLAB**  
(MAXIMUM DROP = 3")

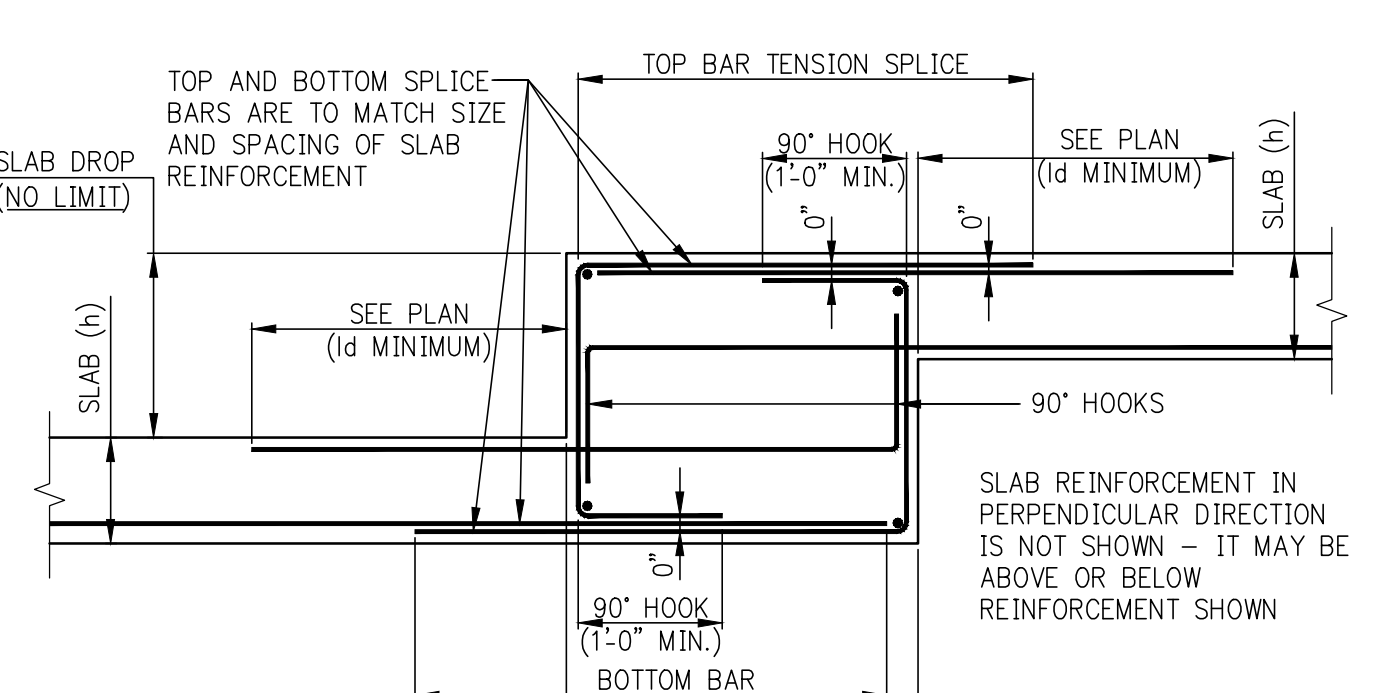


**DROP IN TOP AND BOTTOM OF SLAB**  
(DROP GREATER THAN 3")

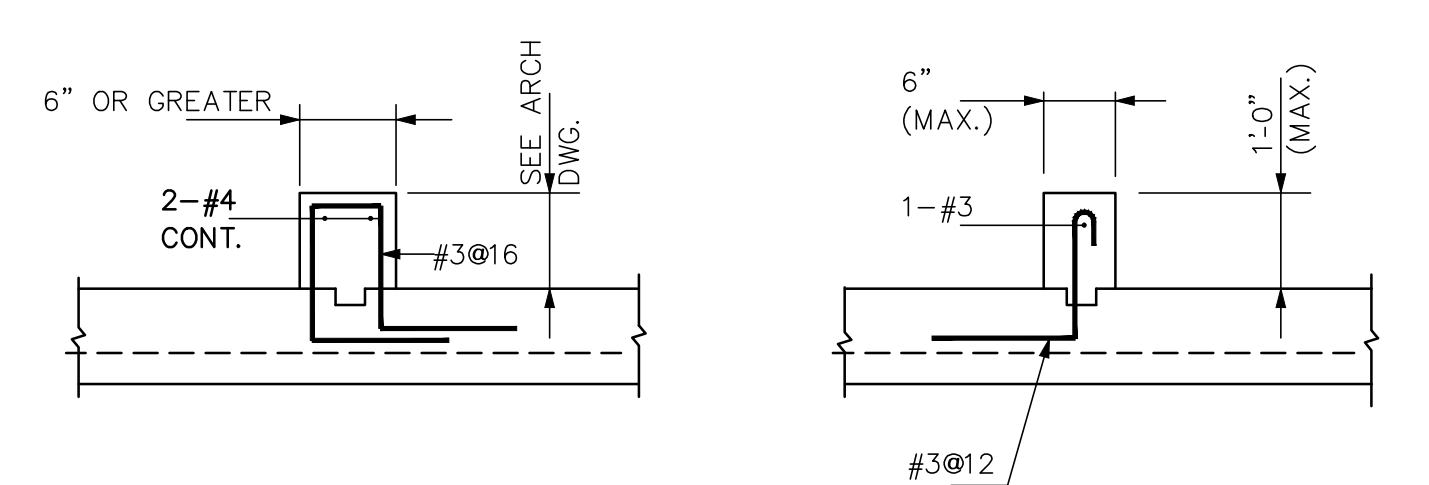


**DROP IN TOP OF SLAB**

NOTE:  
BARS IN OTHER DIRECTION ARE NOT SHOWN - SEE PLANS.

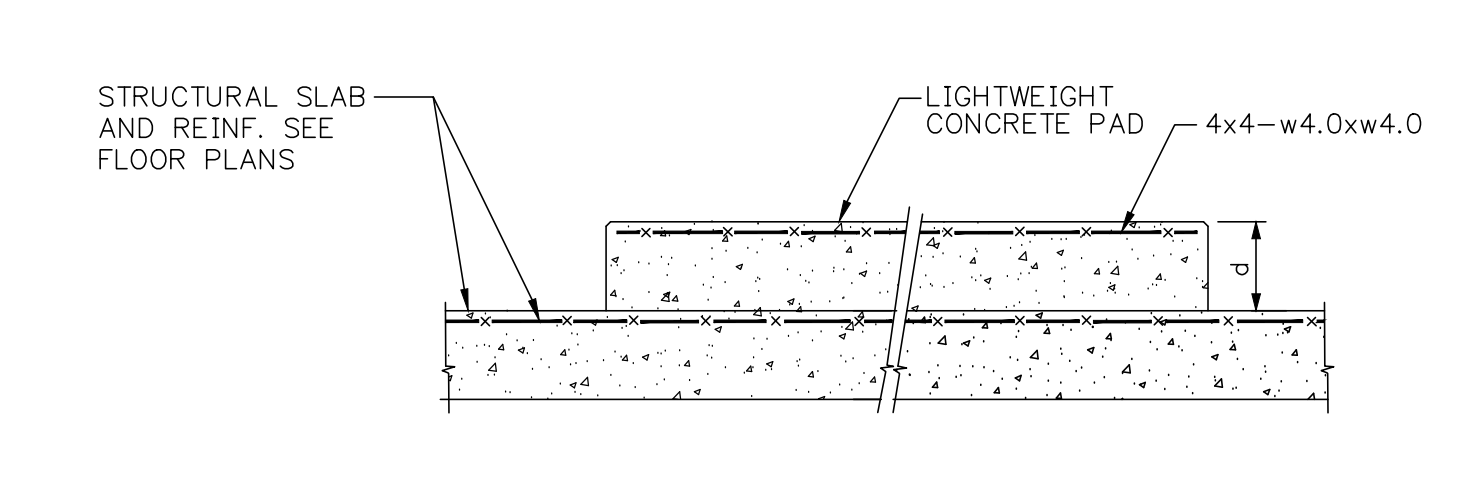


**ALTERNATIVE DROP IN TOP AND BOTTOM OF SLAB**  
USING SPLICE BARS  
(DROP GREATER THAN 3")



**TYPICAL CONCRETE CURB DETAILS**

NOTE:  
1. SEE ARCH. DRAWING FOR LOCATION AND SIZE OF CONCRETE.  
2. SEE TYPICAL E.O.S. DETAILS FOR INFORMATION NOT SHOWN.



**TYPICAL CONCRETE PAD DETAIL**

NOTE:  
FOR PAD EXTENT, DEPTH AND LOCATION SEE ARCH. & MECH. DWG'S.

PROJECT:  
**138 EAST 50TH ST.**  
**NEW YORK, NY**

OWNER/DEVELOPER:  
**CERUZZI PROPERTIES, LLC**  
400 PARK AVENUE, 5th FLOOR  
NEW YORK, NY 10022  
TEL: (212) 300-1700

ARCHITECT OF RECORD:  
**SLCEArchitects, LLP**  
1359 BROADWAY, 14th FLOOR  
NEW YORK, NY 10018  
TEL: (212) 979-8400  
FAX: (212) 979-8387

DESIGN ARCHITECT:  
**Pelli Clarke Pelli Architects**  
322 EIGHTH AVENUE  
NEW YORK, NY 10001  
TEL: (212) 417-9474  
FAX: (212) 417-9477

STRUCTURAL ENGINEER:  
**WSP**  
228 East 45th St.  
New York, NY 10017  
(212) 687-9888  
www.wspgroup.com/usa

M.E.P. ENGINEER:  
**MGE**  
MGE Engineering D.P.C. is an engineer success  
115 West 32nd Street, 12th Floor, New York, NY 10001  
P: (212) 693-1000 F: (212) 693-0500 www.mgepc.net

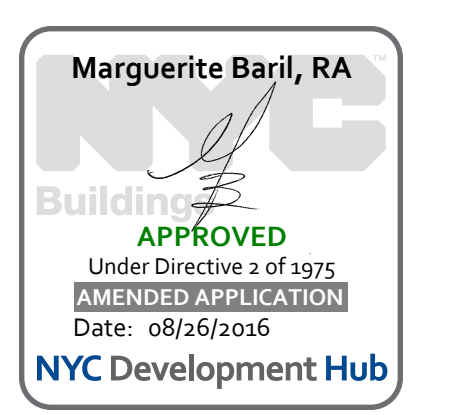
CIVIL ENGINEER:  
**Philip Habis & Associates**  
102 MADISON AVENUE, 11th FLOOR  
NEW YORK, NEW YORK 10016  
TEL: (212) 929-5656  
FAX: (212) 929-5655

DOB EXPEDITOR:  
**JAM Consultants, Inc.**  
104 WEST 29th STREET, 9th FLOOR  
NEW YORK, NEW YORK 10001  
TEL: (212) 244-4427  
FAX: (212) 244-4497

VERTICAL TRANSPORTATION CONSULTANT:  
**Jenkins & Huntington, Inc.**  
1251 AVENUE OF THE AMERICAS  
NEW YORK, NEW YORK 10020  
TEL: (212) 496-1818  
FAX: (212) 696-4528

ZONING CONSULTANT:  
**Development Consulting Services**  
330 WEST 42ND STREET  
NEW YORK, NEW YORK 10036  
TEL: (212) 714-0285  
FAX: (212) 714-0283

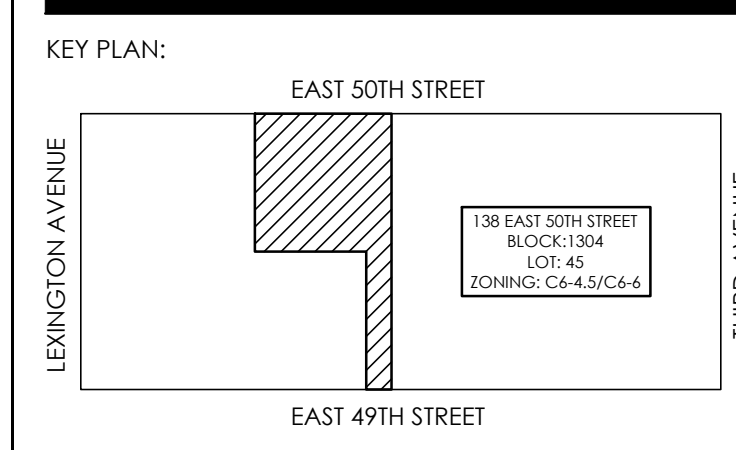
EXTERIOR WALL CONSULTANT:  
**Vidaris, Incorporated**  
340 PARK AVENUE SOUTH, 15th FL.  
NEW YORK, NEW YORK 10010  
TEL: (212) 689-3389



NO.	DATE	REVISION
05-18-16	ISSUE TO DOB	
02-10-16	REVISED SUPERSTRUCTURE	
02-03-16	REVISED SUPERSTRUCTURE	
11-17-15	REVISED SUPERSTRUCTURE FOR BID	
08-21-15	ADDITIONAL FLOORING SET	
06-03-15	ISSUE FOR SUPERSTRUCTURE BID	

D.O.B. NUMBER:  
**NB#**

NOTES:  
SCALE: 1/4" = 1'-0"



PROJECT:  
**138 EAST 50TH STREET**  
**NEW YORK, N.Y.**

DRAWING TITLE:  
**TYPICAL SUPERSTRUCTURE DETAIL 4**

SEAL & SIGNATURE:  
**WSP**  
DATE: 05/14/2015  
PROJECT No.: 1590031  
DRAWN BY: CASO  
CHECKED BY: CS  
DWG. No.:  
**S-963.00**  
SHEET No.: of 0



PROJECT:  
**138 EAST 50TH ST.  
NEW YORK, NY**

OWNER/DEVELOPER:  
**CERUZZI PROPERTIES, LLC**  
400 PARK AVENUE, 5th FLOOR  
NEW YORK, NY 10022  
TEL: (212) 300-1700

ARCHITECT OF RECORD:  
**SLCE Architects, LLP**  
1359 BROADWAY, 14th FLOOR  
NEW YORK, NY 10018  
TEL: (212) 979-8400  
FAX: (212) 979-8387

DESIGN ARCHITECT:  
**Pelli Clarke Pelli Architects**  
322 EIGHTH AVENUE  
NEW YORK, NY 10001  
TEL: (212) 417-9474  
FAX: (212) 417-9477

STRUCTURAL ENGINEER:  
**WSP**  
228 East 45th St.  
New York, NY 10017  
(212) 687-9888  
www.wspgroup.com/usa

M.E.P. ENGINEER:  
**MGE**  
MGE Engineering P.C., an engineer success  
118 West 32nd Street, 12th Floor, New York, NY 10001  
P: (212) 929-5656 F: (212) 645-0550 www.mge.net

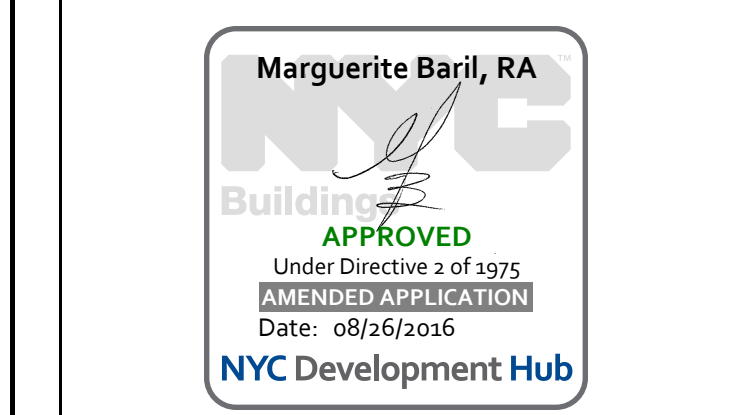
CIVIL ENGINEER:  
**Philip Habib & Associates**  
102 MADISON AVENUE, 11TH FLOOR  
NEW YORK, NEW YORK 10016  
TEL: (212) 929-5656 FAX: (212) 929-5655

DOB EXPEDITOR:  
**JAM Consultants, Inc.**  
104 WEST 29th STREET, 9th FLOOR  
NEW YORK, NEW YORK 10001  
TEL: (212) 244-4427 FAX: (212) 244-4497

VERTICAL TRANSPORTATION CONSULTANT:  
**Jenkins & Huntington, Inc.**  
1251 AVENUE OF THE AMERICAS  
NEW YORK, NEW YORK 10020  
TEL: (212) 476-1818 FAX: (212) 476-4528

ZONING CONSULTANT:  
**Development Consulting Services**  
330 WEST 42ND STREET  
NEW YORK, NEW YORK 10036  
TEL: (212) 714-0285  
FAX: (212) 714-0283

INTERIOR WALL CONSULTANT:  
**Vidaris, Incorporated**  
340 PARK AVENUE SOUTH, 15TH FL.  
NEW YORK, NEW YORK 10010  
TEL: (212) 689-5899

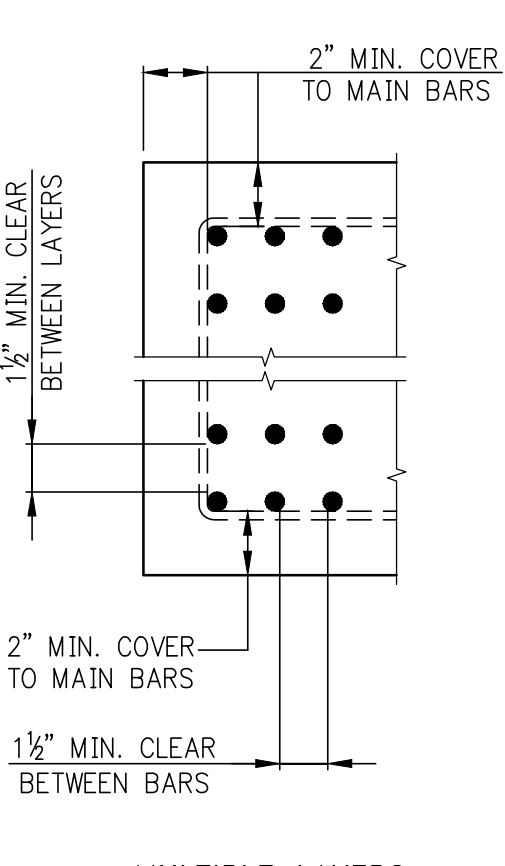



DATE: 05/14/2015  
PROJECT No: 1590031  
DRAWN BY: CASO  
CHECKED BY: CS  
DWG. No.:  
SHEET No.: S-964.00  
of 0

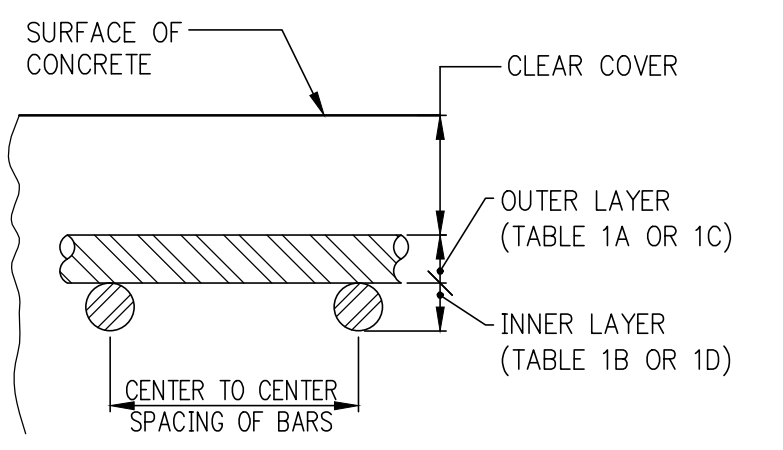
**TABLE #1:  
TENSION LAP SPlice LENGTHS (CLASS B MINIMUM)**

TABLE 1.A: 3/4" COVER TO OUTER LAYER BARS OUTER LAYER LAP LENGTHS (IN INCHES)		TABLE 1.C: 1 1/2" COVER TO OUTER LAYER BARS OUTER LAYER LAP LENGTHS (IN INCHES)	
CONC. STRENGTH (PSI)	BAR SIZE	CONC. STRENGTH (PSI)	BAR SIZE
3,000	#3	3,000	#3
4,000	#4	4,000	#4
5,000	#5	5,000	#5
6,000	#6	6,000	#6
7,000	#7	7,000	#7
8,000	#8	8,000	#8
9,000	#9	9,000	#9
10,000	#10	10,000	#10
10,000	#11	10,000	#11

TABLE 1.B: 3/4" COVER TO OUTER LAYER BARS INNER LAYER LAP LENGTHS (IN INCHES)		TABLE 1.D: 1 1/2" COVER TO OUTER LAYER BARS INNER LAYER LAP LENGTHS (IN INCHES)	
CONC. STRENGTH (PSI)	BAR SIZE	CONC. STRENGTH (PSI)	BAR SIZE
3,000	#3	3,000	#3
4,000	#4	4,000	#4
5,000	#5	5,000	#5
6,000	#6	6,000	#6
7,000	#7	7,000	#7
8,000	#8	8,000	#8
9,000	#9	9,000	#9
10,000	#10	10,000	#10
10,000	#11	10,000	#11



**MULTIPLE LAYERS**  
PROVIDE MINIMUM COVER AND CLEARANCES SHOWN, USE TABLE 1A FOR LAP SPlice LENGTHS.

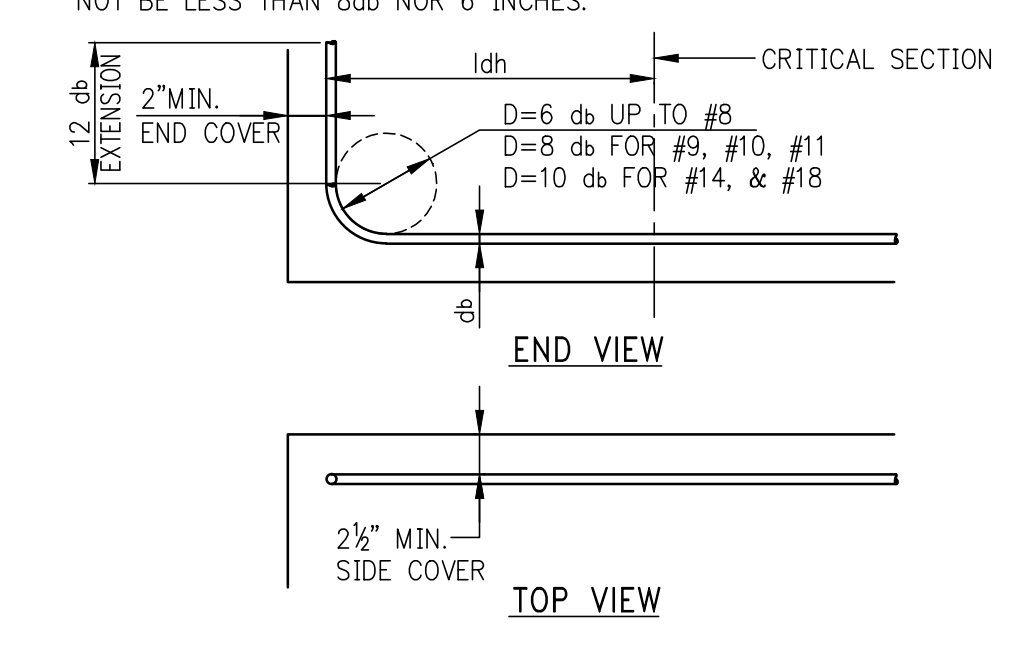


- NOTES FOR TENSION LAP SPlice**
- REINFORCEMENT IS UNCOATED, WITH Fy=60,000 PSI. CONCRETE IS NORMAL WEIGHT (144-150#/CF.).
  - FOR "TOP" BAR SPlice LENGTHS ("TOP" IS DEFINED BY ACI 318 AS HAVING MORE THAN 12 INCHES OF FRESH CONCRETE CAST BELOW THE BAR), TABULATED LENGTHS MUST BE MULTIPLIED BY 1.3.
  - LENGTHS TABULATED MUST BE MULTIPLIED BY THE FOLLOWING MODIFICATION FACTORS:  
a. LIGHTWEIGHT CONCRETE .....1.3  
b. EPOXY-COATED BARS .....1.2  
1) BARS WITH COVER < 3db, OR WITH CLEAR SPACING < 6db...1.5 FOR BOTTOM & VERTICAL BARS.  
2) ALL OTHER CONDITIONS .....1.2  
\* FOR EPOXY-COATED "TOP" BARS THE MAXIMUM FOR COMBINED FACTORS = 1.7
  - WHERE TENSION DEVELOPMENT LENGTH (Ld) IS REQUIRED ON PLANS OR IN DETAILS, SEE TENSION DEVELOPMENT LENGTH TABLES.
  - CLASS A LAP SPlice LENGTHS ARE EQUAL TO TENSION DEVELOPMENT LENGTHS. SEE TABLES FOR TENSION DEVELOPMENT LENGTHS TO CLASS A SPlice LENGTHS.

**TABLE #3  
TENSION DEVELOPMENT LENGTHS FOR  
STANDARD END HOOKS (ldh)  
(LENGTHS IN INCHES)**

BAR SIZE	CONCRETE STRENGTH (PSI)					
	3,000	4,000	5,000	6,000	7,000	8,000
#3	9	7	7	6	6	6
#4	11	10	9	8	7	7
#5	14	12	11	10	9	8
#6	17	15	13	12	11	10
#7	19	17	15	14	13	12
#8	22	19	17	16	15	14
#9	25	22	19	18	16	15
#10	28	24	22	20	19	17
#11	31	27	24	22	21	19
#14	37	32	29	27	25	23
#18	50	43	39	35	33	29

- NOTES:**
- TABLE #3 CONFORMS TO ACI 318-2002 (AND 2005). TABULATED VALUES ARE BASED UPON ACI 12.5.2, ASSUMING GRADE 60 REINFORCEMENT AND NORMALWEIGHT CONCRETE.
  - PER ACI 12.5.3 (a), FOR #11 AND SMALLER BARS, IF COVER TO BAR IS 2# INCHES OR MORE, AND FOR 90 DEGREE HOOK WITH COVER ON BAR EXTENSION BEYOND HOOK NOT LESS THAN 2 INCHES, A MODIFICATION FACTOR OF 0.7 MAY BE APPLIED. MINIMUM lch SHALL NOT BE LESS THAN 6db, NOR 6 INCHES.



**TABLE #2:  
TENSION DEVELOPMENT LENGTHS (Ld) (IN INCHES)**

TABLE 2.A: 3/4" COVER TO OUTER LAYER BARS OUTER LAYER DEVELOPMENT LENGTHS		TABLE 2.C: 1 1/2" COVER TO OUTER LAYER BARS OUTER LAYER DEVELOPMENT LENGTHS	
CONC. STRENGTH (PSI)	BAR SIZE	CONC. STRENGTH (PSI)	BAR SIZE
3,000	#3	3,000	#3
4,000	#4	4,000	#4
5,000	#5	5,000	#5
6,000	#6	6,000	#6
7,000	#7	7,000	#7
8,000	#8	8,000	#8
9,000	#9	9,000	#9
10,000	#10	10,000	#10
10,000	#11	10,000	#11

TABLE 2.B: 3/4" COVER TO OUTER LAYER BARS INNER LAYER DEVELOPMENT LENGTHS		TABLE 2.D: 1 1/2" COVER TO OUTER LAYER BARS INNER LAYER DEVELOPMENT LENGTHS	
CONC. STRENGTH (PSI)	BAR SIZE	CONC. STRENGTH (PSI)	BAR SIZE
3,000	#3	3,000	#3
4,000	#4	4,000	#4
5,000	#5	5,000	#5
6,000	#6	6,000	#6
7,000	#7	7,000	#7
8,000	#8	8,000	#8
9,000	#9	9,000	#9
10,000	#10	10,000	#10
10,000	#11	10,000	#11

- NOTES FOR TENSION DEVELOPMENT LENGTHS (Ld)**
- REINFORCEMENT IS UNCOATED, WITH Fy=60,000 PSI. CONCRETE IS NORMAL WEIGHT (144-150#/CF.).
  - FOR "TOP" BAR DEVELOPMENT LENGTHS ("TOP" IS DEFINED BY ACI 318 AS HAVING MORE THAN 12 INCHES OF FRESH CONCRETE CAST BELOW THE BAR), TABULATED LENGTHS MUST BE MULTIPLIED BY 1.3.
  - LENGTHS TABULATED MUST BE MULTIPLIED BY THE FOLLOWING MODIFICATION FACTORS:  
a. LIGHTWEIGHT CONCRETE .....1.3  
b. EPOXY-COATED BARS .....1.2  
1) BARS WITH COVER < 3db, OR WITH CLEAR SPACING < 6db...1.5 FOR BOTTOM & VERTICAL BARS.  
2) ALL OTHER CONDITIONS .....1.2  
\* FOR EPOXY-COATED "TOP" BARS THE MAXIMUM FOR COMBINED FACTORS = 1.7
  - WHERE TENSION DEVELOPMENT LENGTH (Ld) IS REQUIRED ON PLANS OR IN DETAILS, SEE TENSION DEVELOPMENT LENGTH TABLES.
  - CLASS A LAP SPlice LENGTHS ARE EQUAL TO TENSION DEVELOPMENT LENGTHS. SEE TABLES FOR TENSION DEVELOPMENT LENGTHS TO CLASS A SPlice LENGTHS.

**TABLE #4  
COMPRESSION LAP SPliceS  
(LENGTHS IN INCHES)**

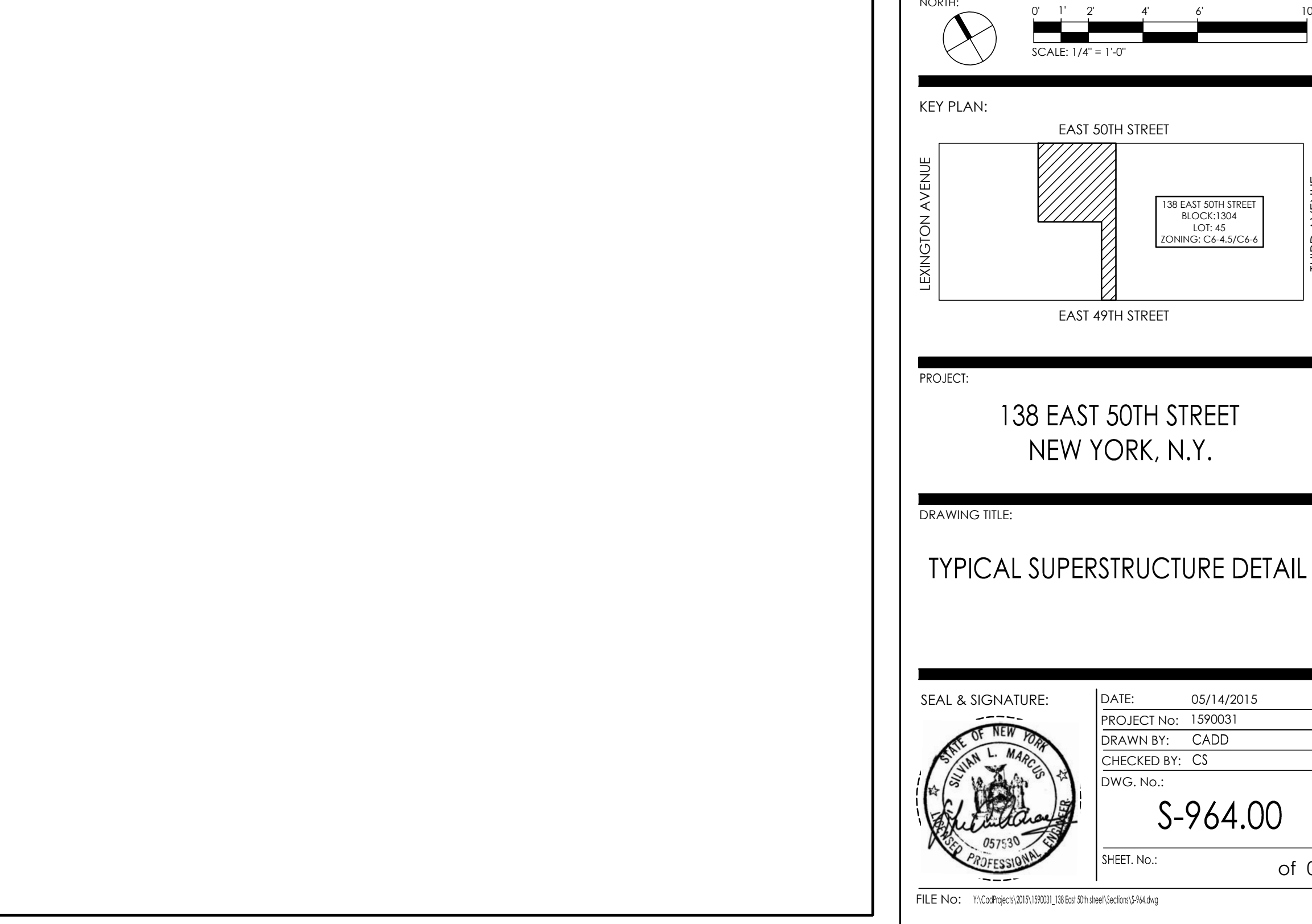
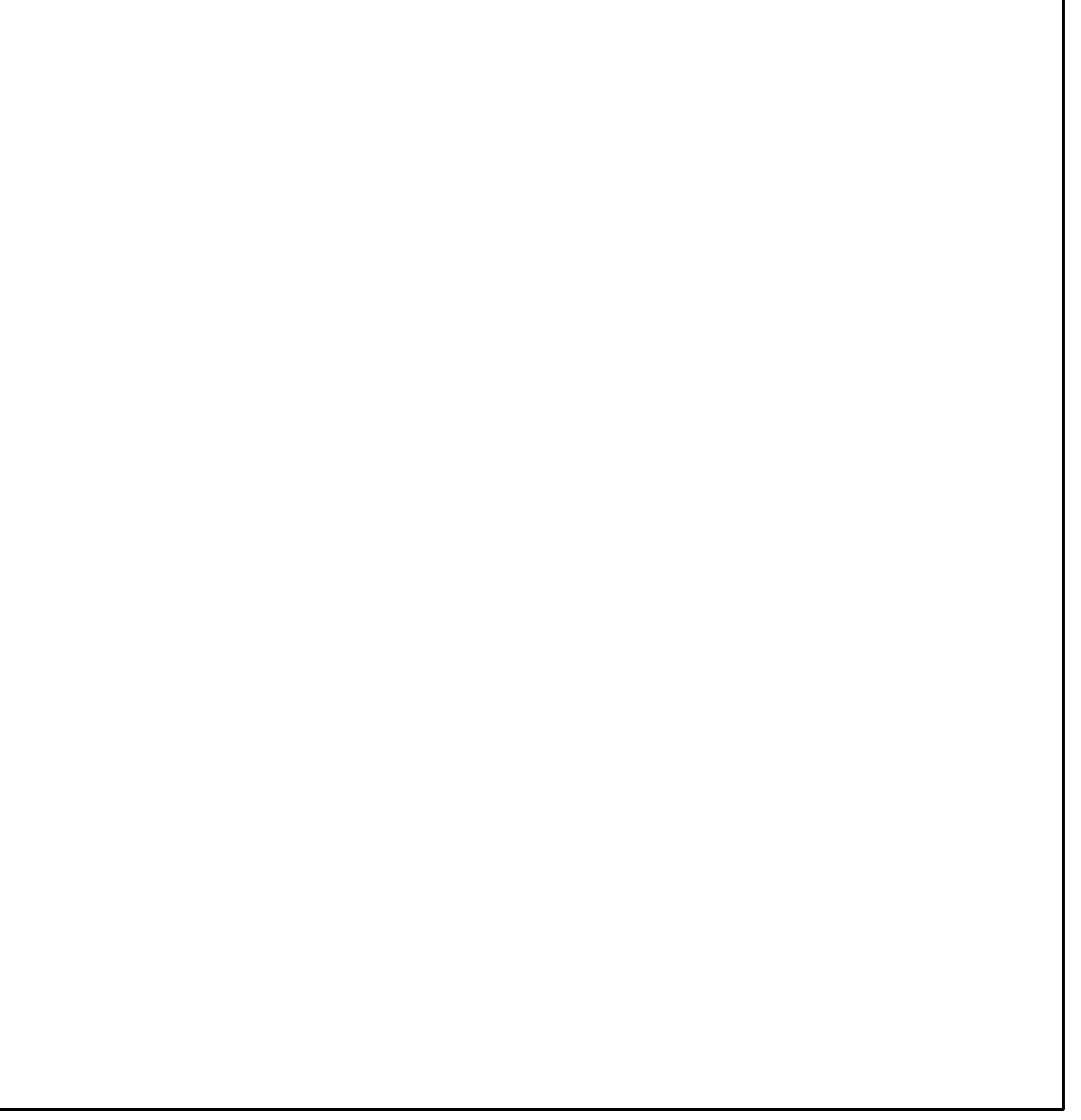
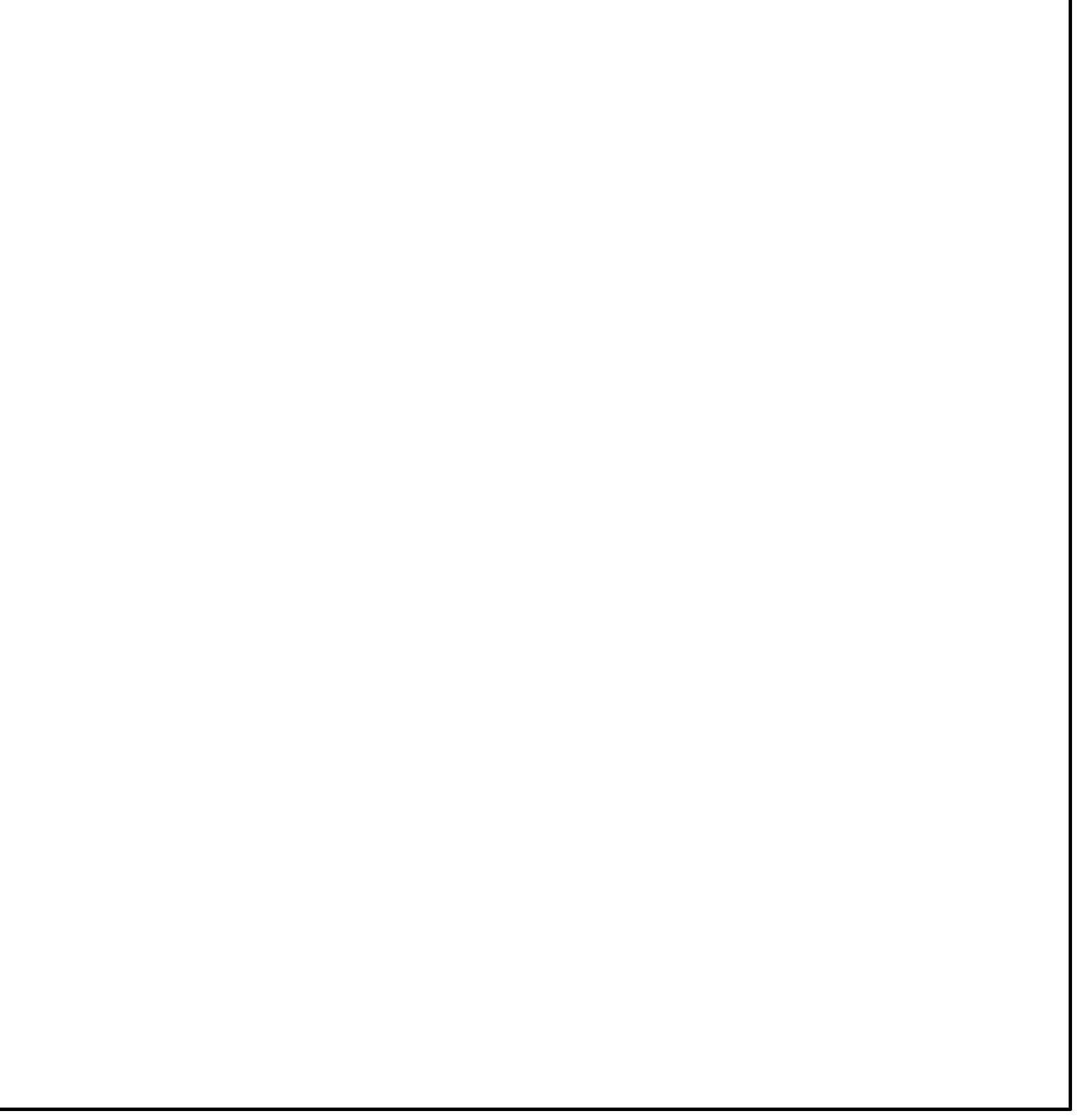
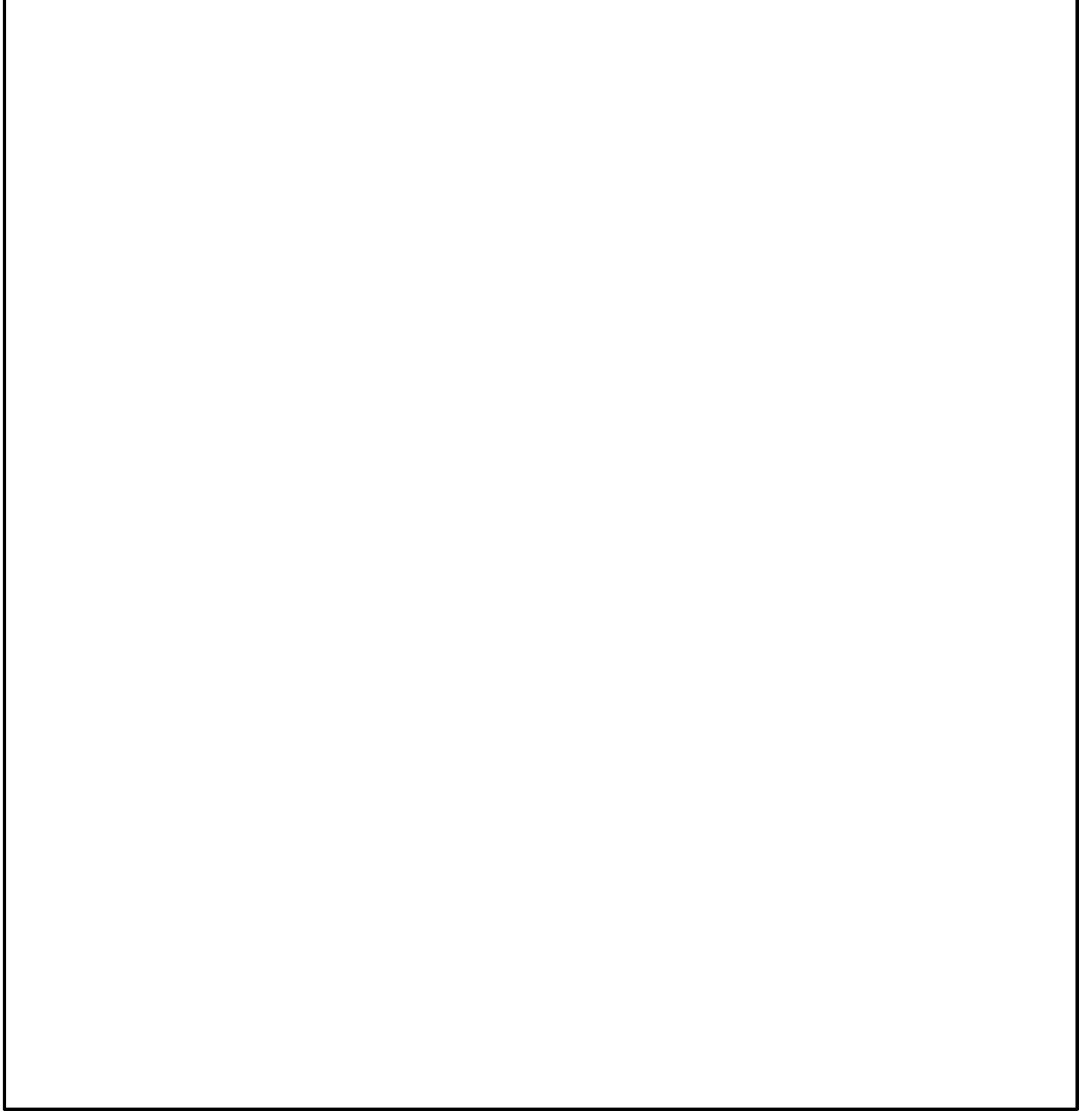
BAR SIZE	GRADE OF REINFORCEMENT		
	60 KSI (30 DIA.)	75 KSI (44 DIA.)	80 KSI (48 DIA.)
#3	12	17	18
#4	15	22	24
#5	19	28	30
#6	23	33	36
#7	27	39	42
#8	30	44	48
#9	34	50	54
#10	38	56	61
#11	43	62	68
#14 AND #18	50	75	80

- NOTE:**  
TABLE #4 APPLIES FOR NORMALWEIGHT CONCRETE WITH fc = 3,000 PSI OR GREATER.

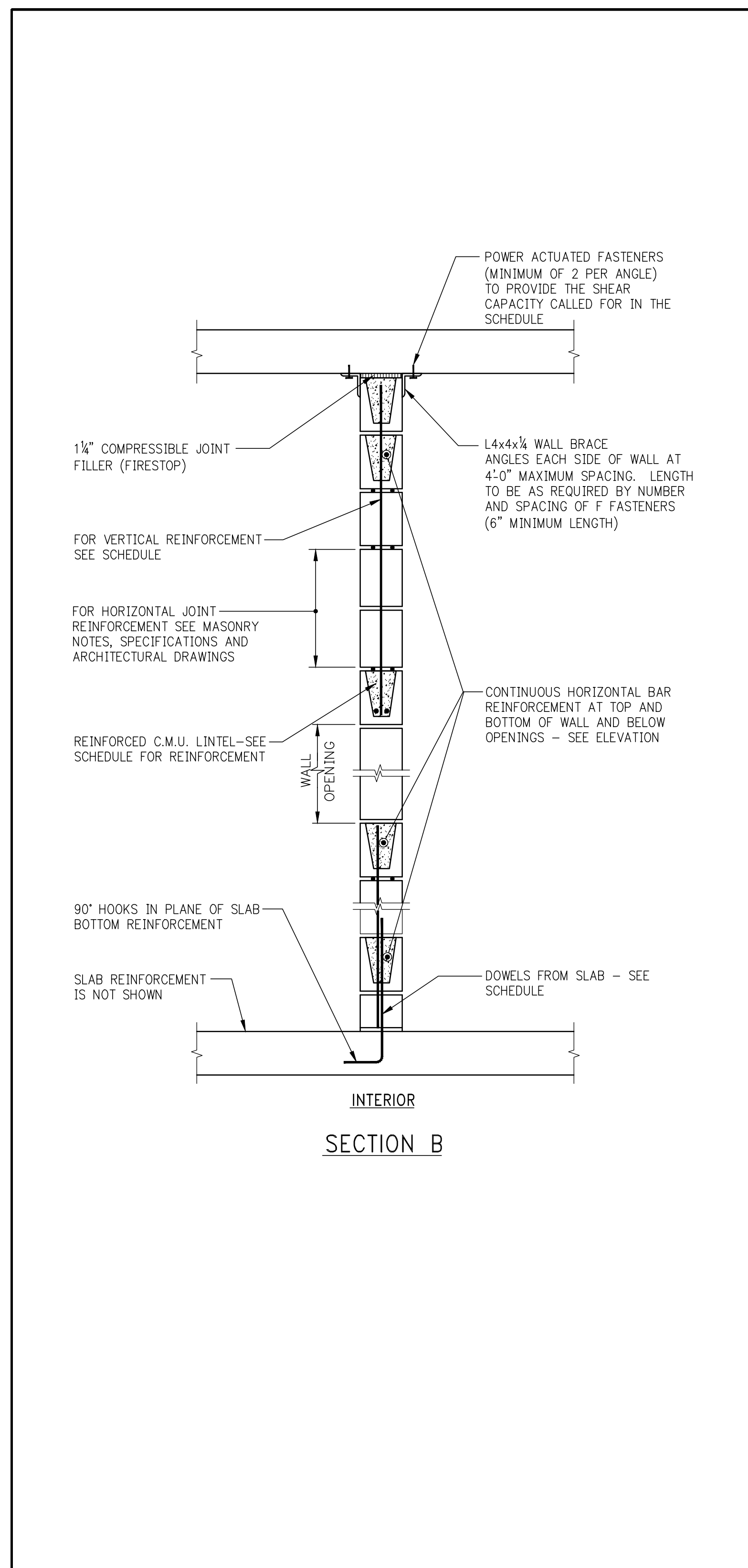
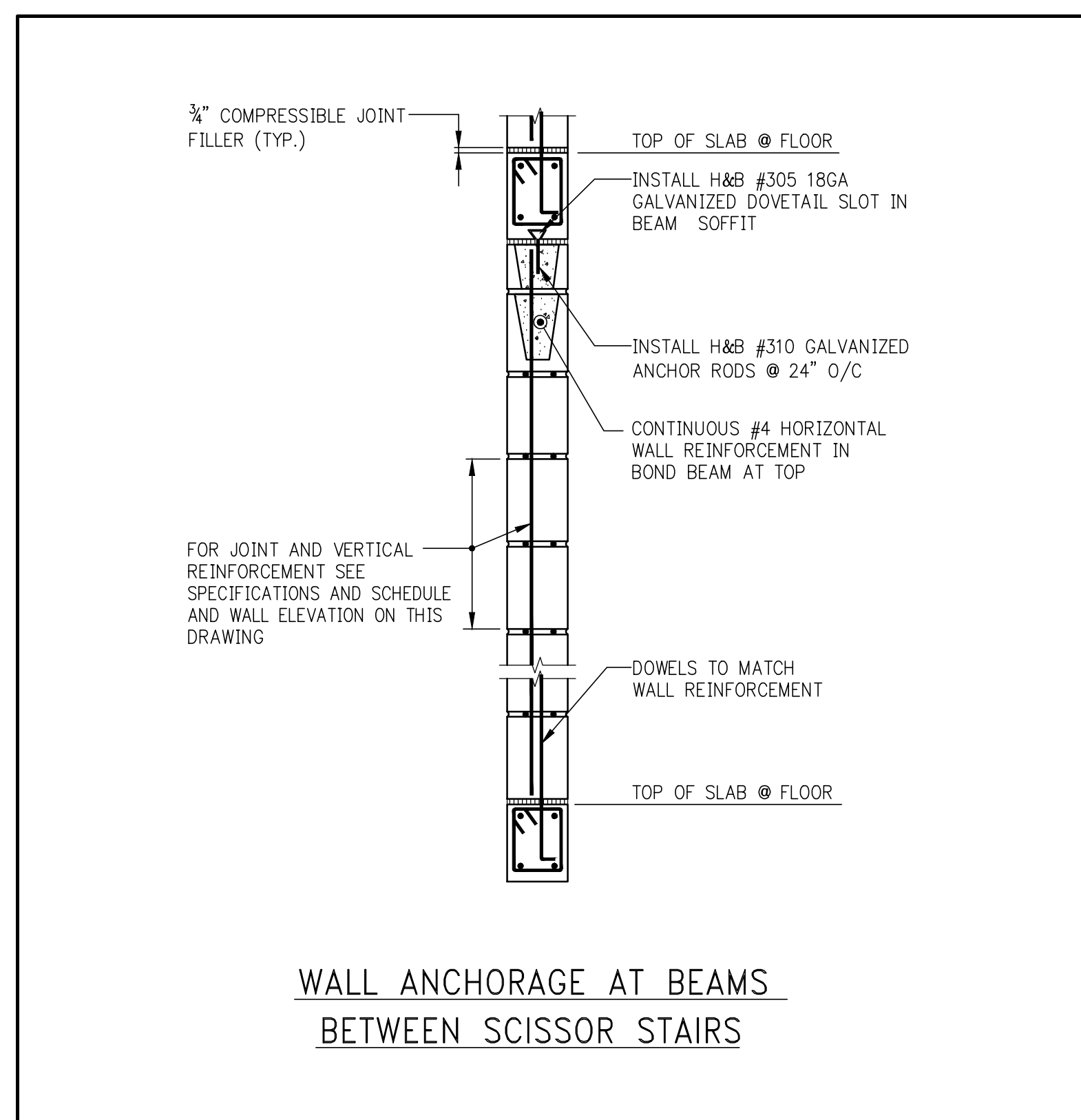
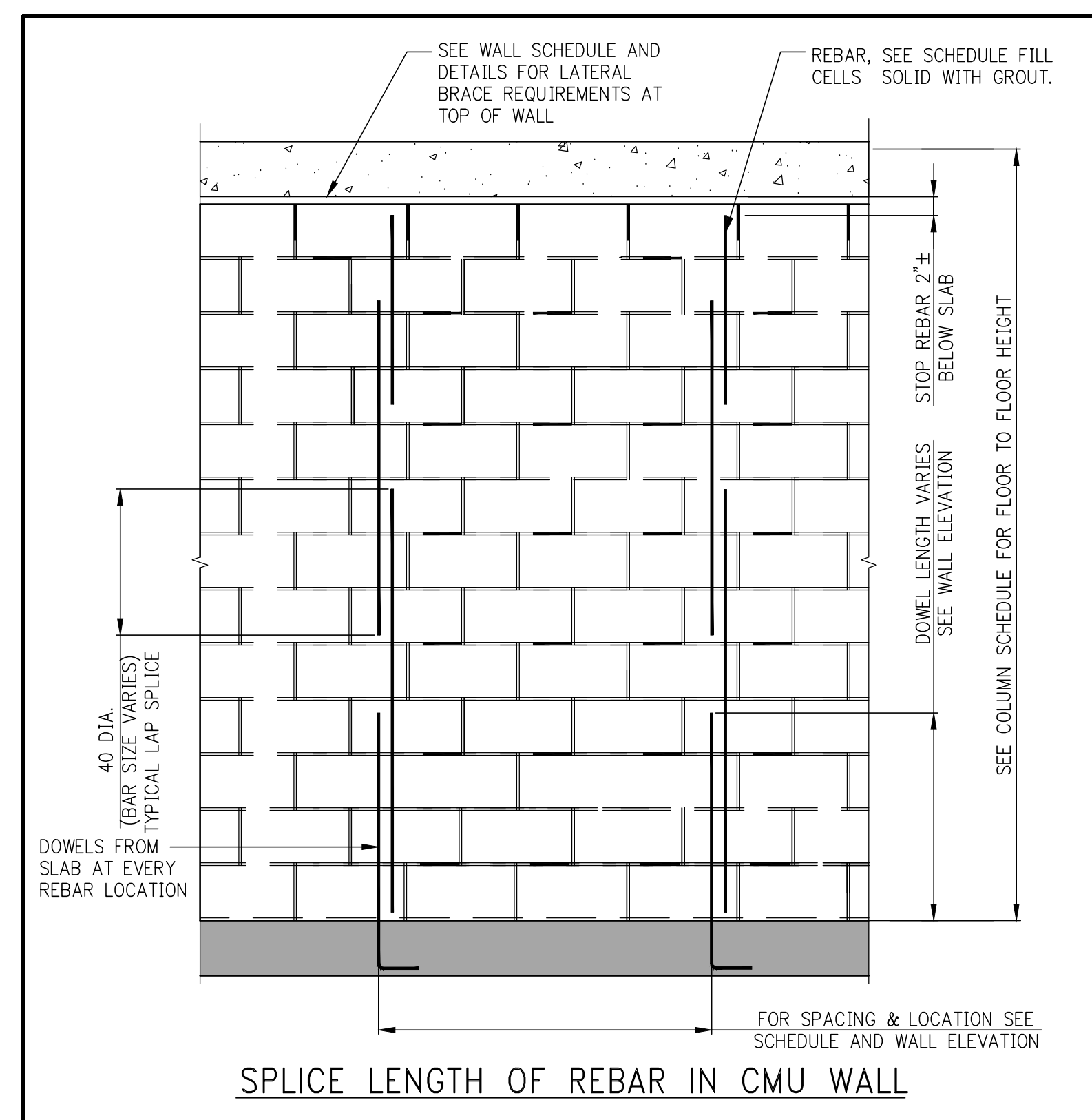
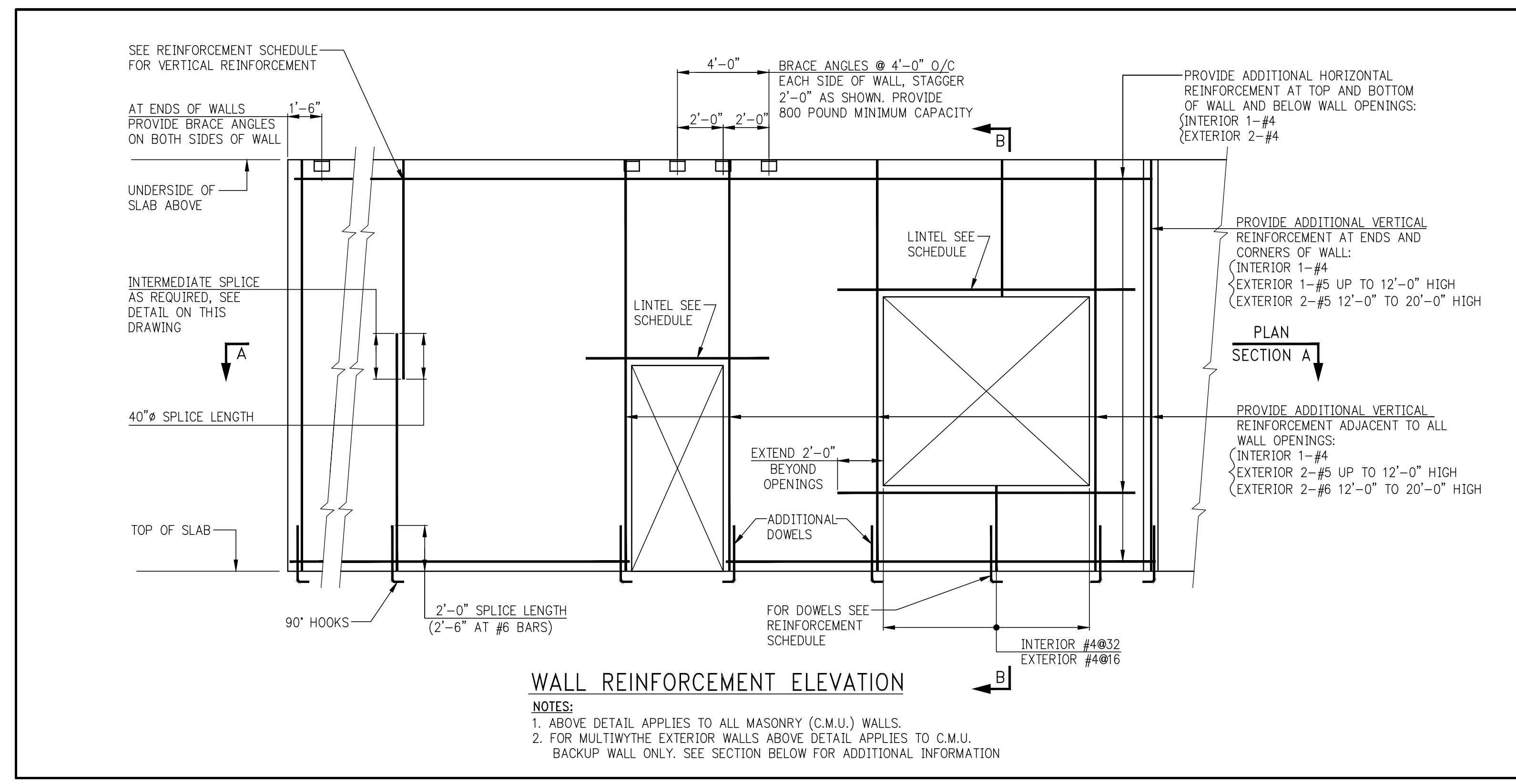
**TABLE #5  
DEVELOPMENT LENGTHS FOR BARS IN COMPRESSION  
(LENGTHS IN INCHES)**

BAR SIZE	fy = 60,000 PSI			fy = 75,000 PSI			fy = 80,000 PSI		
	CONC. fc (IN PSI)			CONC. fc (IN PSI)			CONC. fc (IN PSI)		
	3,000	4,000	5,000 OR MORE	3,000	4,000	5,000 OR MORE	3,000	4,000	5,000 OR MORE
#3	12	12	12	12	12	12	12	12	12
#4	12	12	12	14	12	12	15	13	12
#5	14	12	12	17	15	14	18	16	15
#6	17	15	14	21	18	17	22	19	18
#7	19	17	16	24	21	20	26	22	21
#8	22	19	18	28	24	23	29	25	24
#9	25	22	21	31	27	25	33	28	27
#10	28	24	23	34	30	28	36	31	30
#11	31	27	26	38	33	31	40	34	33
#14	37	32	31	48	42	39	51	44	42
#18	50	43	41	62	54	51	65	56	54

- LAP SPliceS ARE NOT PERMITTED USE MECHANICAL CONNECTIONS OR WELDED SPliceS FOR #14 AND #18. PER ACI 318 (12.14.3).
- LAP SPliceS OF #14 AND #18 BARS TO #11 AND SMALLER BARS ARE PERMITTED PER ACI 318 (12.16.2).
- FOR BARS OF DIFFERENT SIZE, USE LARGER OF SPlice LENGTH OF SMALLER BAR (TABLE #4) OR DEVELOPMENT LENGTH OF LARGER BAR (FROM TABLE #5) PER ACI 318 (12.16.2).

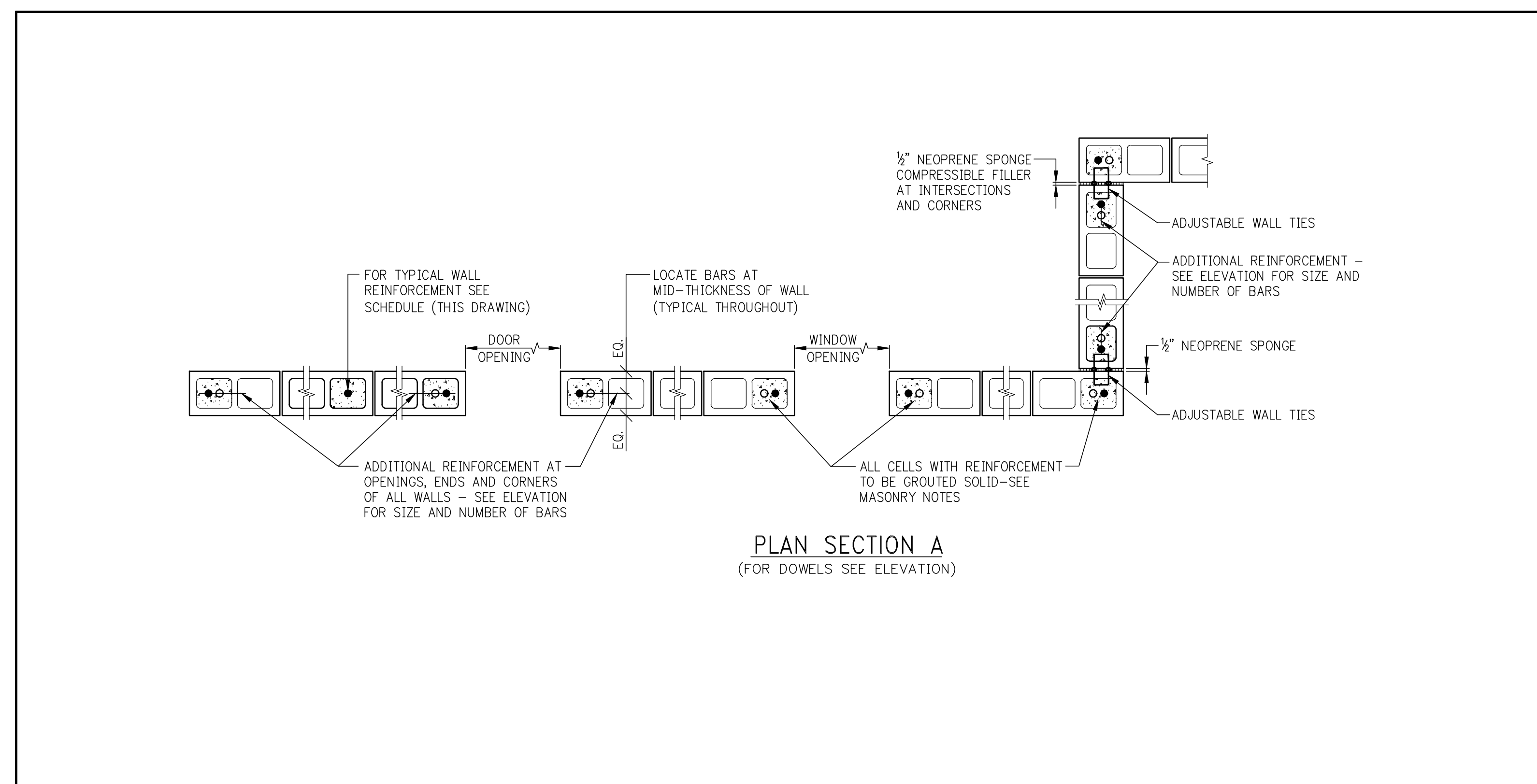
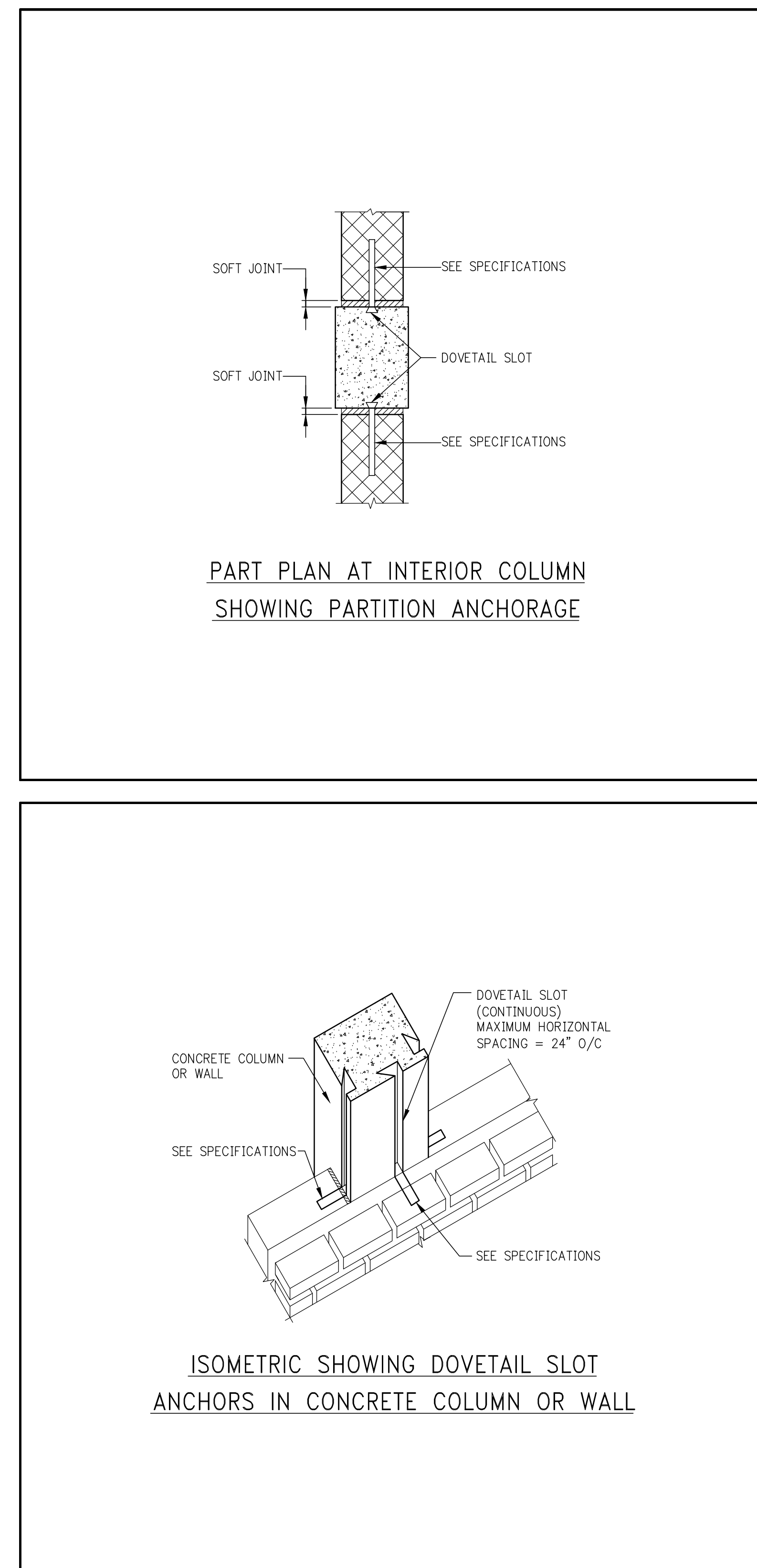


SEAL & SIGNATURE: [Signature]  
DATE: 05/14/2015  
PROJECT No: 1590031  
DRAWN BY: CASO  
CHECKED BY: CS  
DWG. No.:  
SHEET No.: S-964.00  
of 0



TYPE OF LOADING	LINTEL SECTION NOMINAL SIZE (IN.)	REQUIRED REINFORCEMENT							
		CLEAR SPAN							
WALL LOADS	6x8	1-#4	1-#4	1-#4	2-#4	2-#5	-	-	-
	6x16	-	-	-	2-#4	2-#4	2-#4	2-#4	2-#5
FLOOR & ROOF LOADS	6x16	1-#4	1-#4	1-#4	1-#5	2-#4	2-#5	2-#5	2-#6
	8x8	1-#4	2-#4	2-#4	2-#4	2-#4	2-#5	2-#5	-
WALL LOADS	8x16	-	-	-	-	-	2-#5	2-#5	2-#6
	8x8	2-#4	-	-	-	-	-	-	-
FLOOR & ROOF LOADS	8x16	2-#4	2-#4	2-#4	2-#4	2-#4	2-#5	2-#5	2-#6
	8x8	2-#4	2-#4	2-#4	2-#4	2-#4	2-#5	2-#5	2-#6

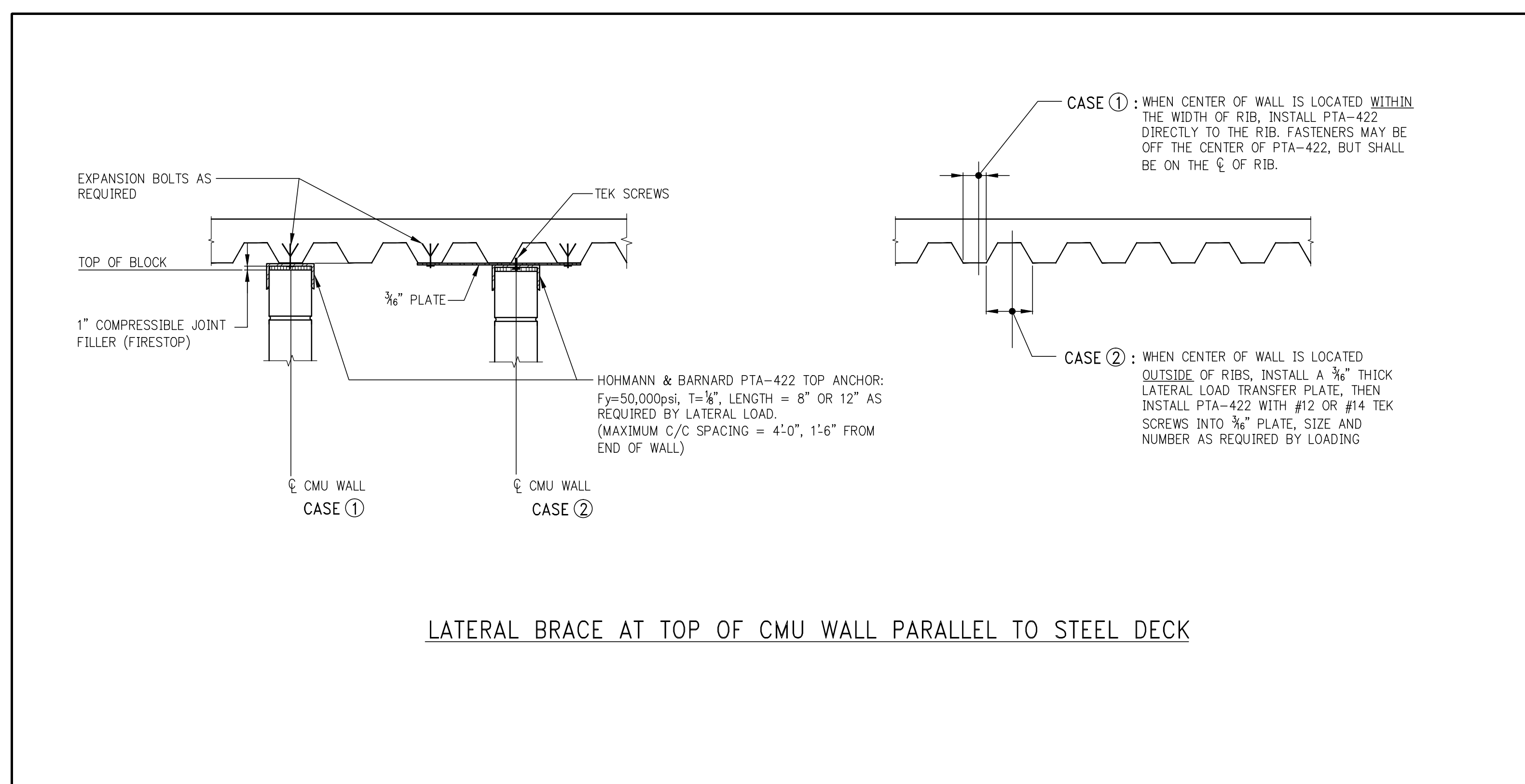
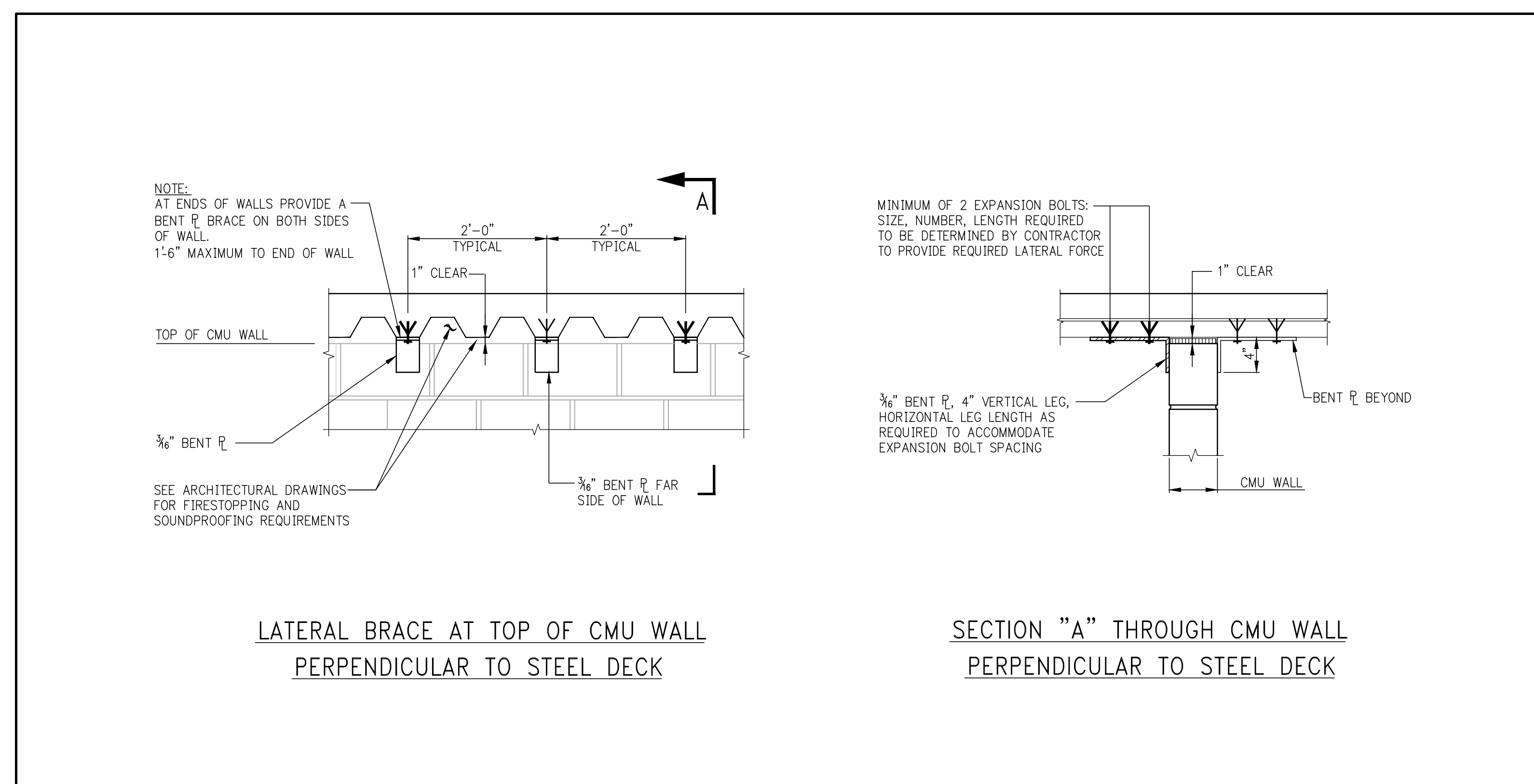
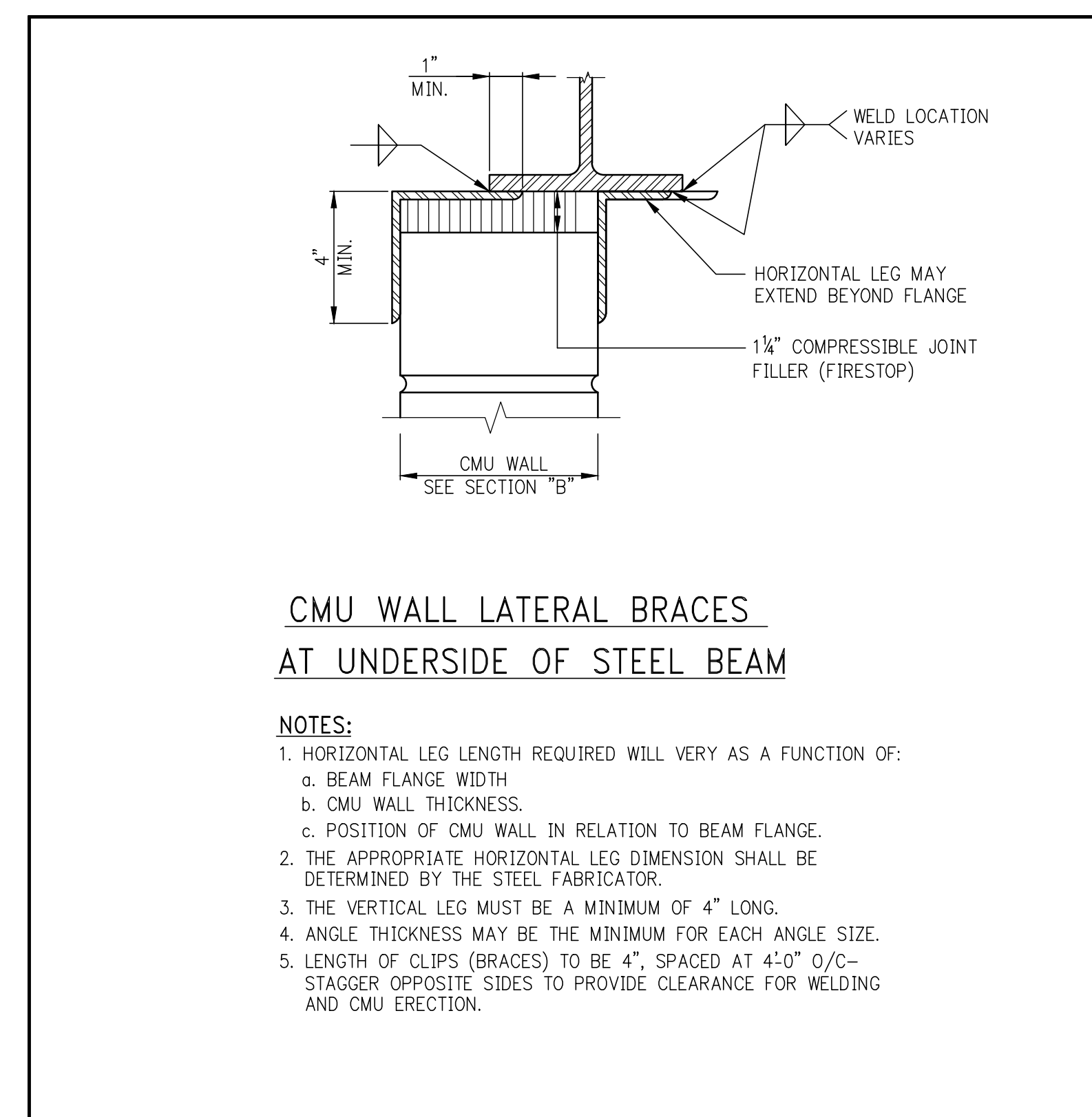
NOTES:  
 1. WALL LOADS ASSUMED 300lbs PER LINEAR FOOT.  
 2. FLOOR & ROOF LOADS INCLUDING WALL LOADS ASSUMED 1000lbs PER LINEAR FOOT.  
 3. 8\"/>



LOCATION AND HEIGHT OF WALL	MINIMUM BLOCK THICKNESS	VERTICAL REINFORCEMENT	DOWELS FROM SLAB	LATERAL BRACING FORCE (TOP) #/FOOT	REMARKS
INTERIOR UP TO 10'-0"	4"	#4@8'-0"	#4@8'-0"		
INTERIOR 10'-1" TO 16'-0"	6"	#4@8	#4@8		
INTERIOR 16'-1" TO 20'-0"	8"	#4@8	#4@8		
EXTERIOR UP TO 8'-0"	4"	#4@8	#4@8		
EXTERIOR 8'-1" TO 10'-0"	6"	#4@8	#4@8		
EXTERIOR 10'-1" TO 12'-0"	8"	#4@8	#4@8		
EXTERIOR 12'-1" TO 16'-0"	8"	#4@8	#5@8		
EXTERIOR 16'-1" TO 20'-0"	12"	#4@8	#5@8		
EXTERIOR CANTILEVER (PARAPET, ETC.) UP TO 8'-0"	8"	#4@8	#5@8		

MASONRY OPENING	ANGLE SIZE PER EACH 4" WIDTH OF MASONRY (OR W + P)	ANGLE SIZE FOR 6" WIDTH OF MASONRY
UP TO 5'-0"	L3 1/2 x 3 1/2 x 3/8	L6 x 4 x 1/2
5'-1" TO 8'-0"	L6 x 3 1/2 x 3/8	L6 x 4 x 1/2
8'-1" TO 10'-8"	L6 x 3 1/2 x 3/8	-
10'-9" TO 14'-0"	W6x15 + BOTTOM FL 3/8 x 7 (WELD PLATE TO BOTTOM FLANGE)	-

NOTES:  
 1. ANGLE LENGTH = MASONRY OPENING PLUS 1'-0" (6" BEARING AT EACH END).  
 2. ANGLE LONG LEG IS VERTICAL.  
 3. W6 x 15 TO BE USED AT 8" WIDE WALL ONLY.  
 4. PROVIDE FIREPROOFING ON LINTELS FOR MASONRY OPENINGS GREATER THAN 4'-0", AS REQUIRED BY CODE.  
 5. JOINTS SHALL NOT BE LOCATED OVER THE MASONRY OPENING.



**C.M.U. MASONRY NOTES**

- SEE ARCHITECTURAL DRAWINGS AND SPECIFICATIONS FOR COMPLETE REQUIREMENTS FOR C.M.U. MASONRY CONSTRUCTION AND APPEARANCE. DETAILS AND NOTES SHOWN ON THE STRUCTURAL DRAWINGS ARE INTENDED TO SUPPLEMENT ARCHITECTURAL REQUIREMENTS AND TO DEFINE ELEMENTS WHICH PROVIDE STRUCTURAL STRENGTH AND STABILITY.
- DETAILS, SECTIONS, SCHEDULES, ETC. AND THESE NOTES, REPRESENT THE MINIMUM REQUIREMENTS FOR STRUCTURAL ADEQUACY WHERE ARCHITECTURAL REQUIREMENTS DIFFER FROM STRUCTURAL, THE MORE STRINGENT SHALL BE FOLLOWED.
- CODE: MASONRY WALL CONSTRUCTION SHALL CONFORM TO THE NEW YORK CITY BUILDING CODE AND TO ACT 530/ASCE-5 AS REFERENCED BY THE NYC CODE.
- MASONRY UNITS SHALL BE LIGHTWEIGHT HOLLOW LOAD BEARING CONCRETE MASONRY (CMU). COMPRESSIVE STRENGTH OF MASONRY CMU SHALL BE A MINIMUM OF 1,500 PSI.
- MORTAR SHALL BE TYPE M OR S.
- HORIZONTAL JOINT REINFORCEMENT SHALL BE TRUSS TYPE GALVANIZED COLD-DRAWN STEEL WIRE CONFORMING TO ASTM A 951.
- PROVIDE HORIZONTAL JOINT REINFORCEMENT IN EVERY OTHER JOINT (16" O.C. VERTICALLY) UNLESS PLANS OR DETAILS CALL FOR CLOSER SPACING OR ADDITIONAL REINFORCEMENT.
- BAR REINFORCEMENT: ASTM A 615 GRADE 60, PER SCHEDULE. FOR ADDITIONAL REINFORCEMENT SEE WALL REINFORCEMENT ELEVATION.
- ALL CELLS WITH REINFORCEMENT SHALL BE GROUDED SOLID FOR THE FULL EXTENT OF BAR, VERTICAL AND HORIZONTAL.
- GROUT SHALL HAVE A MINIMUM COMPRESSIVE STRENGTH OF 2,000 PSI. GROUT SHALL BE "FINE" AS DEFINED BY ASTM C 476.
- STEEL ANGLES: ASTM A 36, STEEL IN AN EXTERIOR WALL OR EXPOSED TO THE EXTERIOR SHALL BE GALVANIZED.
- CONTRACTOR SHALL COORDINATE ALL MASONRY WORK WITH WORK OF OTHER TRADES: ARCHITECTURAL, STRUCTURAL, MEP.

**TYPICAL MASONRY DETAILS**

138 EAST 50TH STREET  
NEW YORK, N.Y.

PROJECT:  
**138 EAST 50TH ST.  
 NEW YORK, NY**

OWNER/DEVELOPER:  
**CERUZZI PROPERTIES, LLC**  
 400 PARK AVENUE, 5th FLOOR  
 NEW YORK, NY 10022  
 TEL: (212) 900-1700

ARCHITECT OF RECORD:  
**SLCEArchitects, LLP**  
 1359 BROADWAY, 14th FLOOR  
 NEW YORK, NY 10018  
 TEL: (212) 979-8400  
 FAX: (212) 979-8387

DESIGN ARCHITECT:  
**Pelli Clarke Pelli Architects**  
 322 EIGHTH AVENUE  
 NEW YORK, NY 10001  
 TEL: (212) 417-9494  
 FAX: (212) 417-9497

STRUCTURAL ENGINEER:  
**WSP**  
 228 East 45th St.  
 New York, NY 10017  
 (212) 687-9888  
 www.wspgroup.com/usa

M.E.P. ENGINEER:  
**MGE**  
 MGE Engineering D.P.C., Inc. an engineer success  
 118 West 32nd Street, 12th Floor, New York, NY 10001  
 P.O. Box 18055, F 212 633 0550 www.mgepc.net

CIVIL ENGINEER:  
**Philip Habib & Associates**  
 102 MADISON AVENUE, 11th FLOOR  
 NEW YORK, NEW YORK 10016  
 TEL: (212) 929-5656  
 FAX: (212) 929-5655

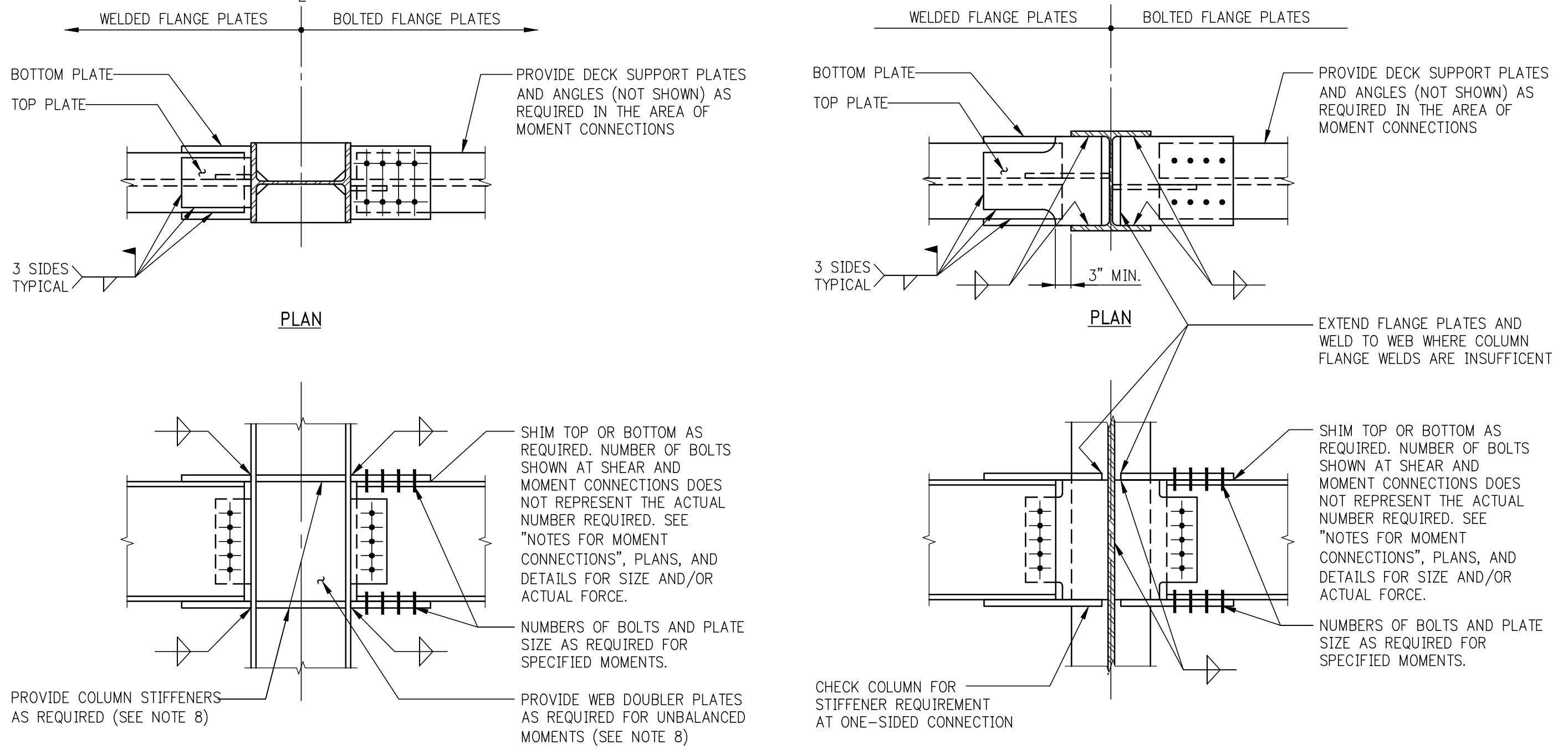
DOB EXPEDITOR:  
**JAM Consultants, Inc.**  
 104 WEST 29th STREET, 9th FLOOR  
 NEW YORK, NEW YORK 10001  
 TEL: (212) 244-4427  
 FAX: (212) 244-4497

VERTICAL TRANSPORTATION CONSULTANT:  
**Jenkins & Huntington, Inc.**  
 1251 AVENUE OF THE AMERICAS  
 NEW YORK, NEW YORK 10020  
 TEL: (212) 696-1818  
 FAX: (212) 696-4528

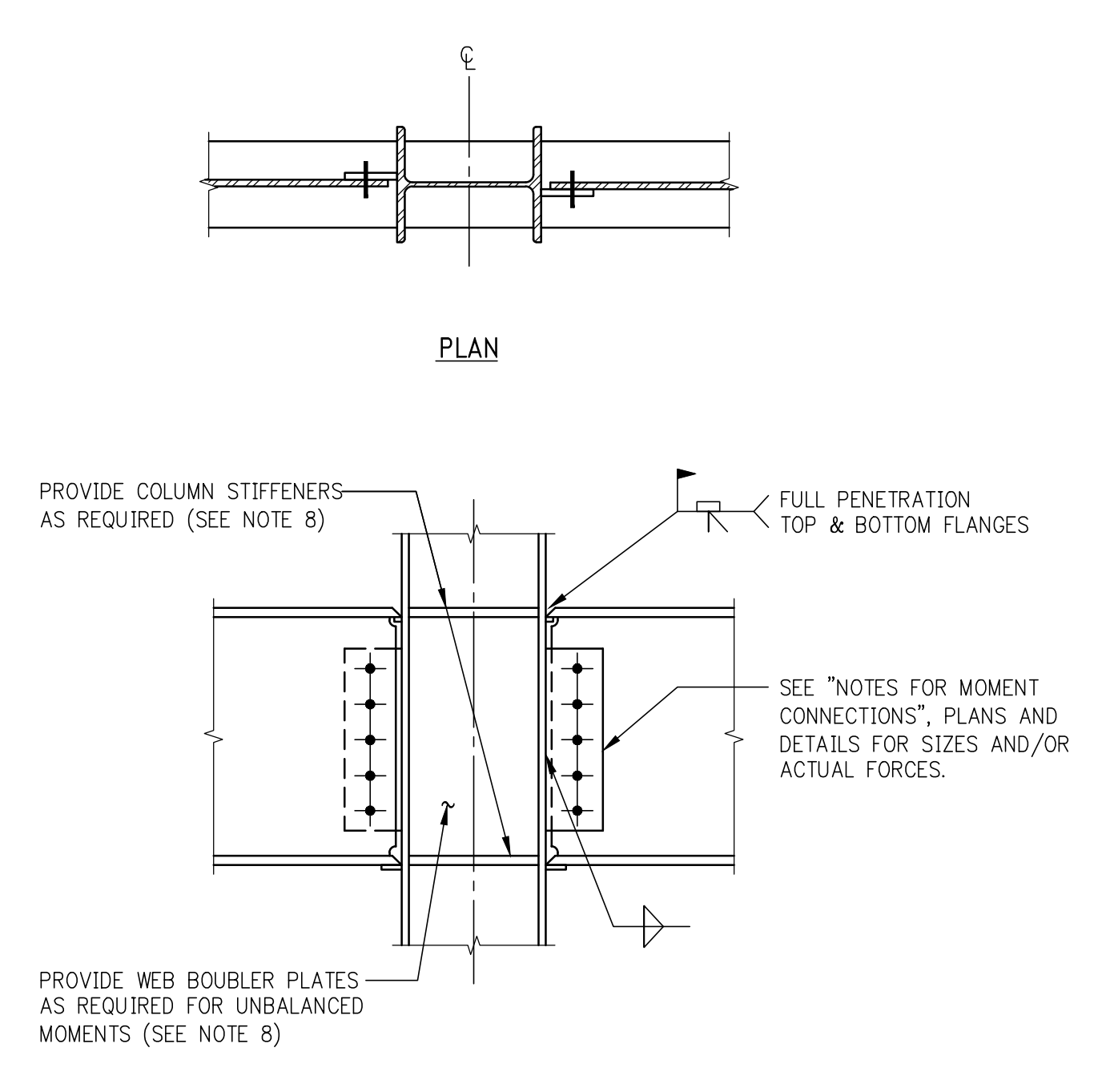
ZONING CONSULTANT:  
**Development Consulting Services**  
 330 WEST 42ND STREET  
 NEW YORK, NEW YORK 10036  
 TEL: (212) 714-0285  
 FAX: (212) 714-0283

EXTERIOR WALL CONSULTANT:  
**Vidaris, Incorporated**  
 340 PARK AVENUE SOUTH, 15th FL.  
 NEW YORK, NEW YORK 10010  
 TEL: (212) 687-5389

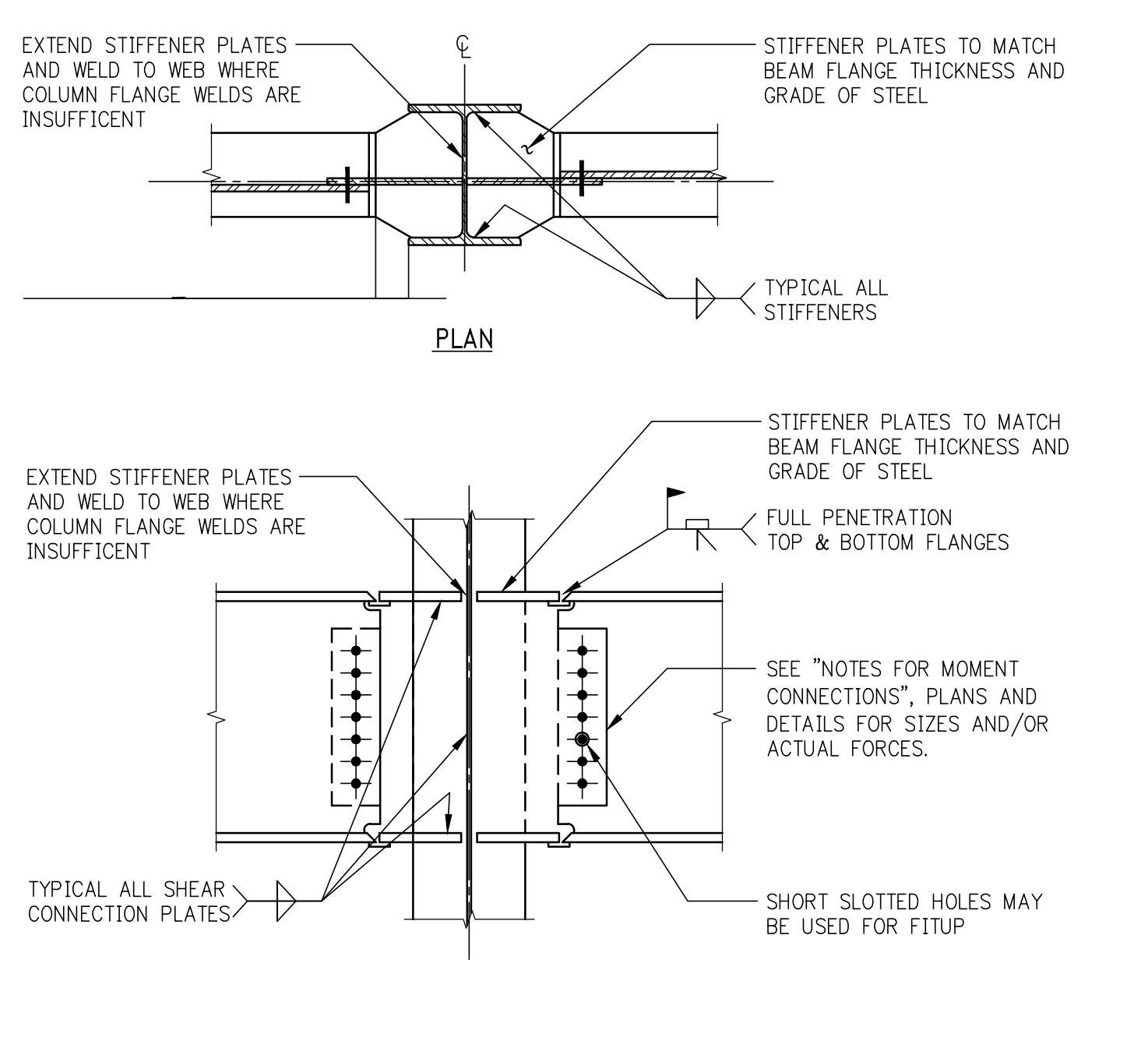
DATE: 05/14/2015  
 PROJECT No.: 1590301  
 DRAWN BY: CSKD  
 CHECKED BY: CS  
 DWG. No.: S-965.00  
 SHEET No.: 1 of 9



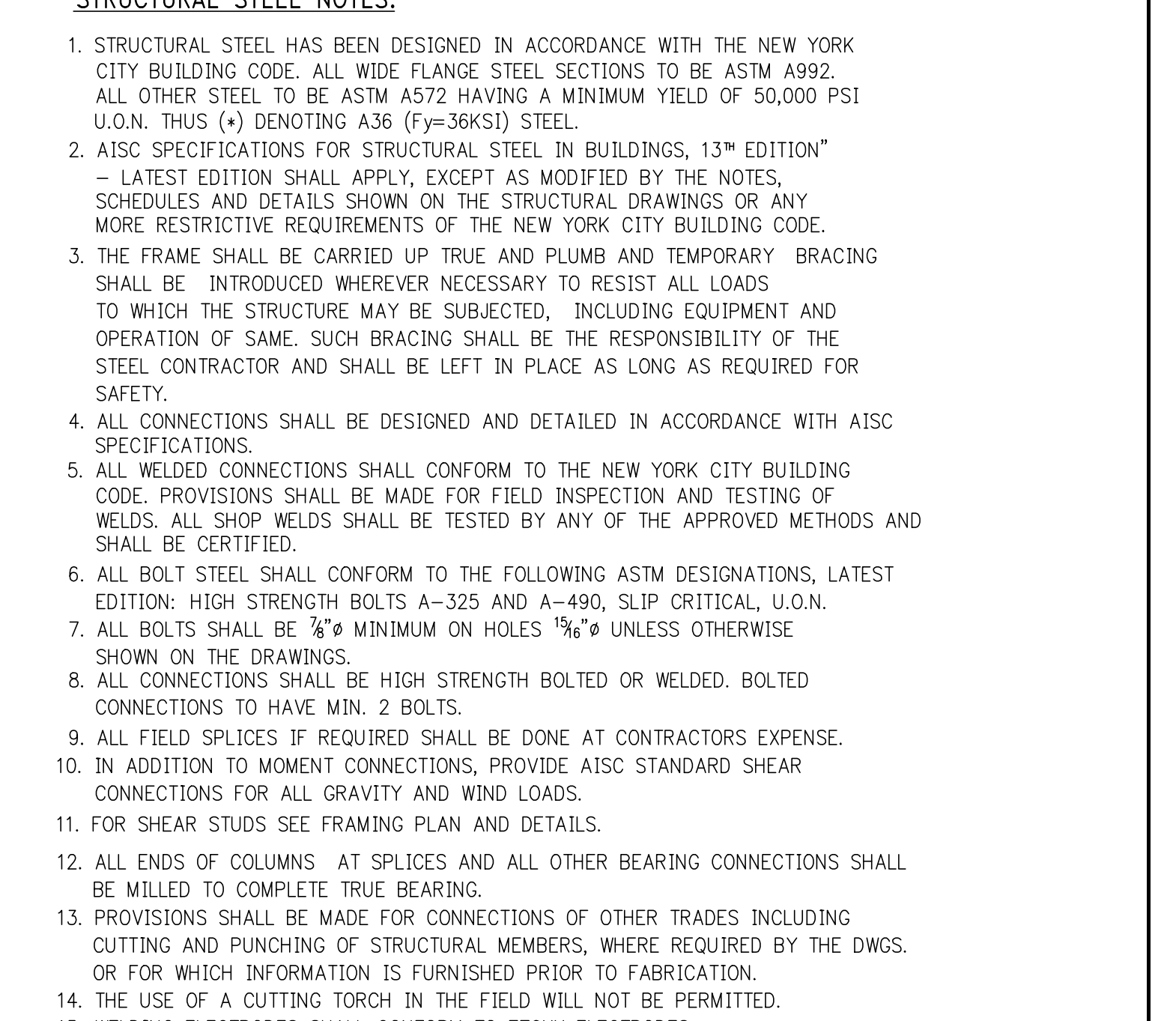
BEAM TO COLUMN FLANGE WITH BOLTED OR WELDED FLANGE PLATES



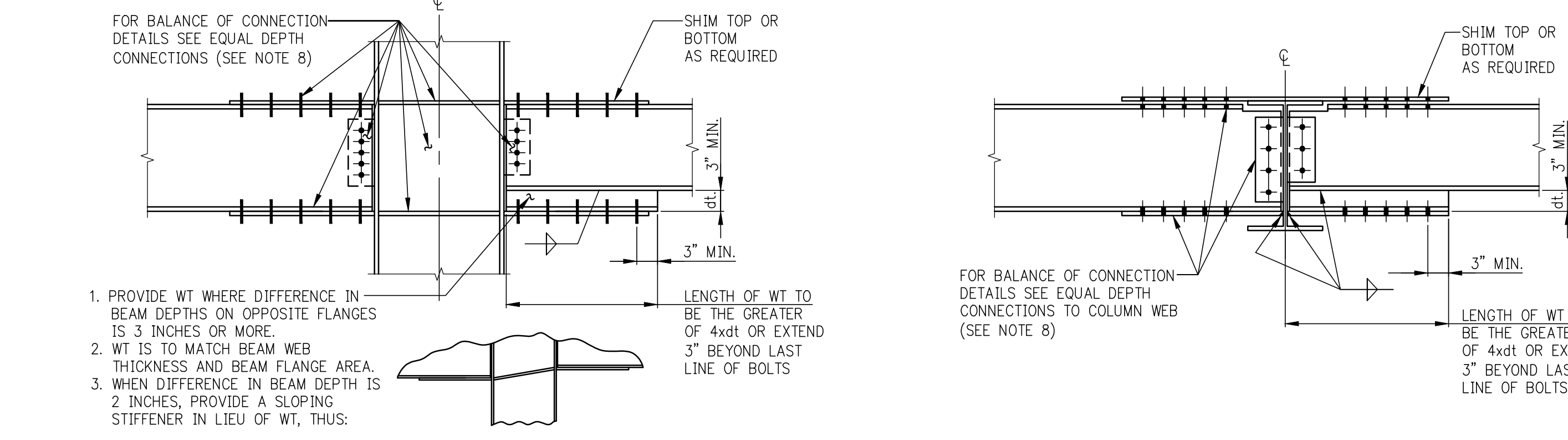
BEAM TO COLUMN WEB WITH BOLTED OR WELDED FLANGE PLATES



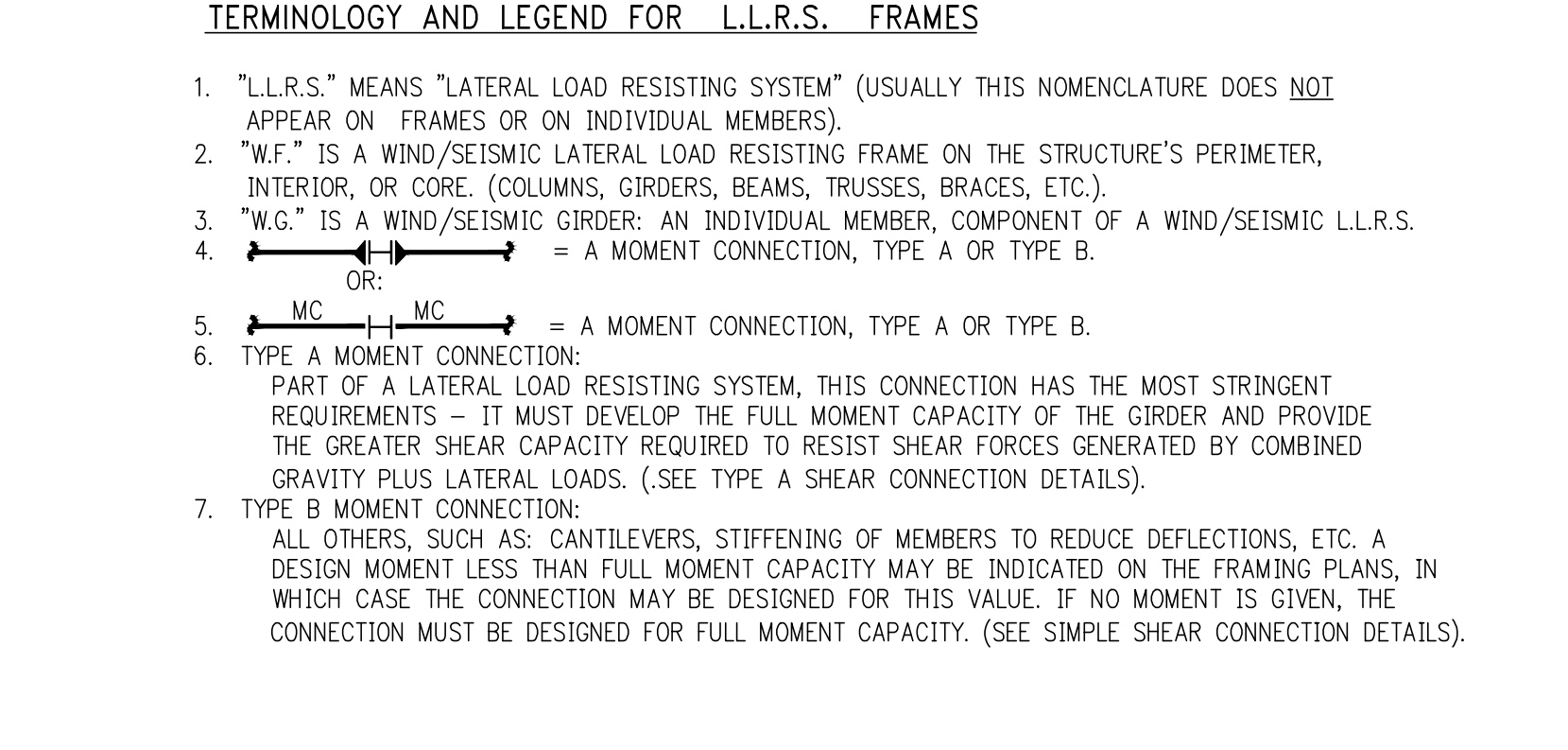
BEAM FLANGES WELDED DIRECTLY TO COLUMN FLANGES



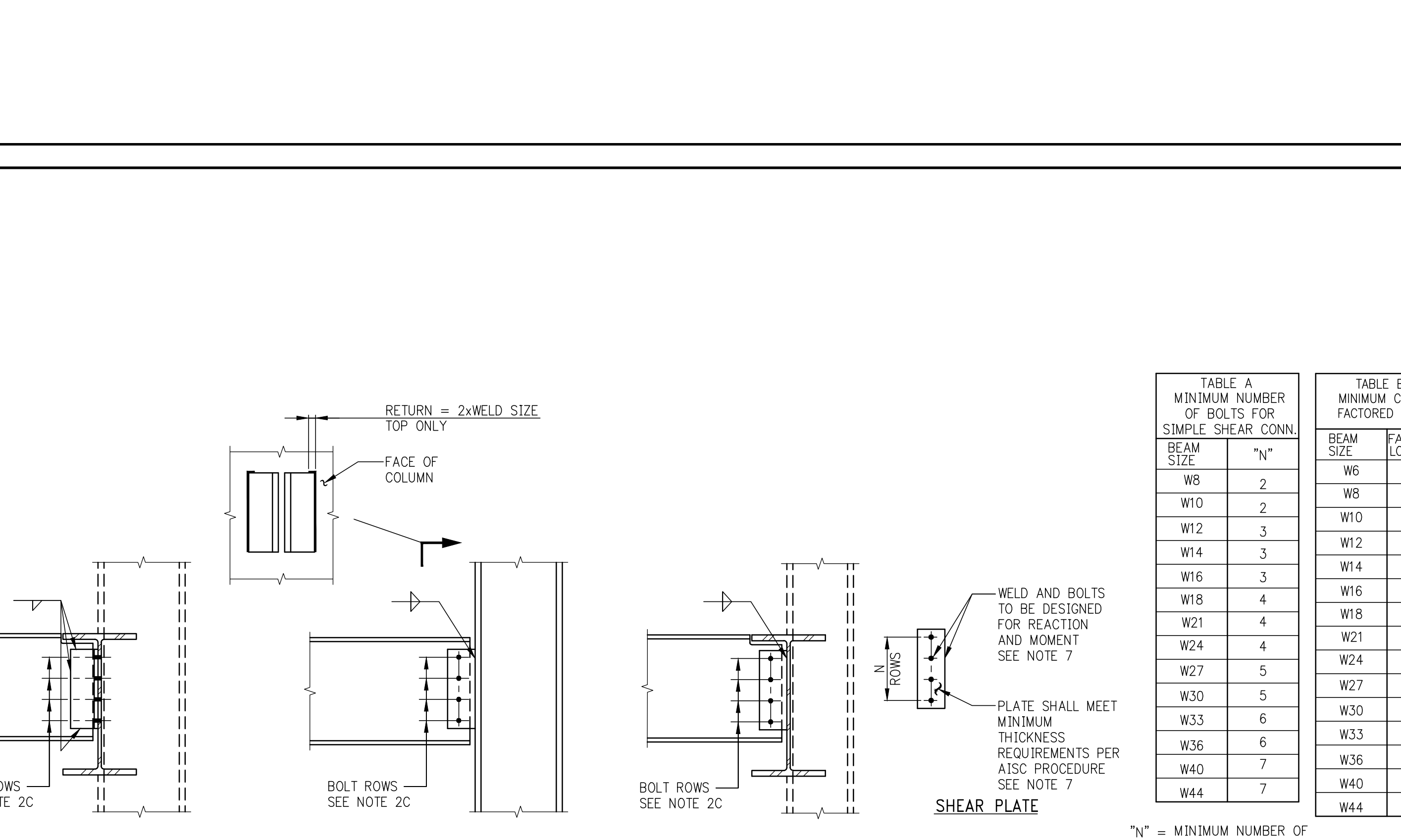
BEAM FLANGES WELDED DIRECTLY TO COLUMN WEB STIFFENERS



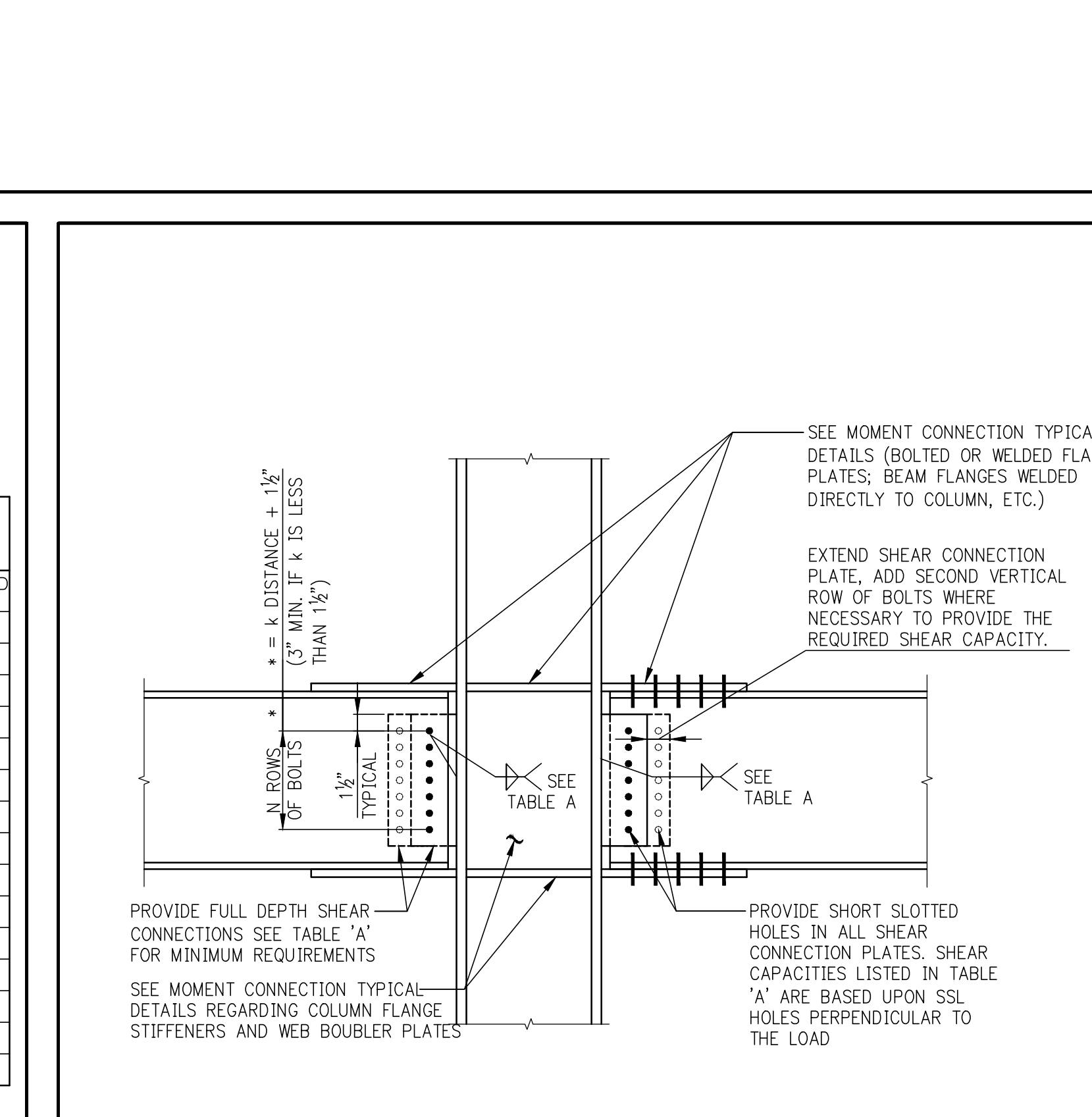
BEAM TO COLUMN FLANGE WITH DIFFERENT BEAM DEPTHS



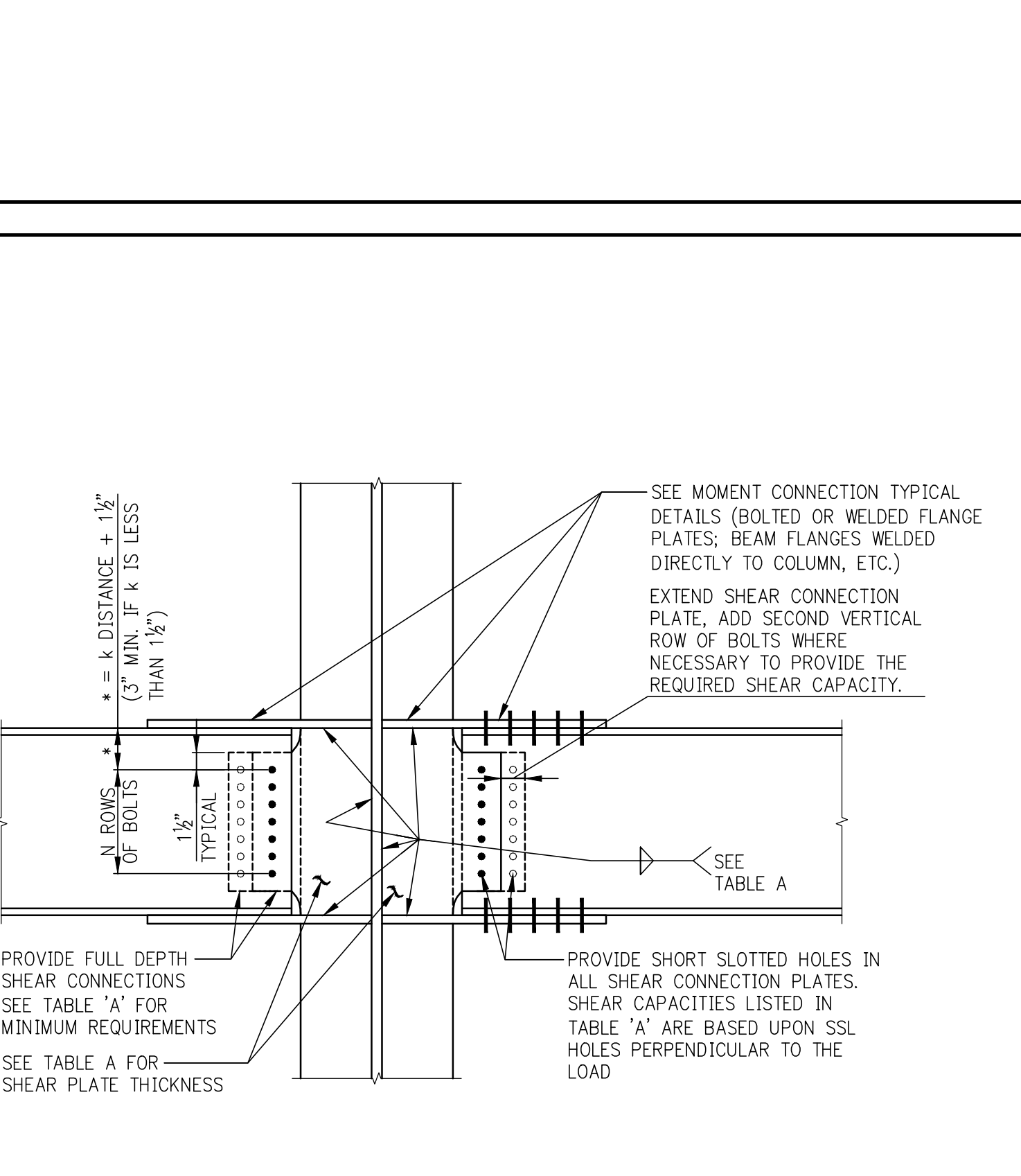
BEAM TO BEAM WITH DEFFERENT DEPTHS



SIMPLE SHEAR CONNECTIONS



L.L.R.S. SHEAR CONNECTION TO COLUMN FLANGE



L.L.R.S. SHEAR CONNECTION TO COLUMN WEB

TABLE A: MINIMUM NUMBER OF BOLTS FOR SIMPLE SHEAR CONN. BEAM SIZE vs. FACTORED LOAD (K)

BEAM SIZE	FACTORED LOAD (K)
W6	15
W8	20
W10	25
W12	30
W14	35
W16	40
W18	45
W21	50
W24	55
W27	60
W30	65
W33	70
W36	75
W40	80
W44	85

TABLE B: MINIMUM CONN. FACTORED LOAD (K) vs. BEAM SIZE

BEAM SIZE	FACTORED LOAD (K)
W6	15
W8	20
W10	25
W12	30
W14	35
W16	40
W18	45
W21	50
W24	55
W27	60
W30	65
W33	70
W36	75
W40	80
W44	85

TABLE A: SHEAR CONNECTION REQUIREMENTS FOR TYPE 'A' MOMENT CONNECTIONS

WIND GIRDER DEPTH	NUMBER OF HORIZONTAL ROWS OF BOLTS "n"	MINIMUM SHEAR PLATE THICKNESS	MINIMUM FILLET WELD SIZE (E70XX)	CONNECTION SHEAR CAPACITY (LRFD - KIPS)
W12, W14	3	1/2"	3/16"	33
W16	4	1/2"	3/16"	44
W18	5	1/2"	3/16"	56
W21	6	1/2"	3/16"	67
W24	6	1/2"	3/16"	78
W27	7	1/2"	3/16"	89
W30	8	1/2"	3/16"	100
W33	9	1/2"	3/16"	111
W36	10	1/2"	3/16"	122
W40	11	1/2"	3/16"	133
W44	12	1/2"	3/16"	144

TABLE A: SHEAR CONNECTION REQUIREMENTS FOR TYPE 'A' MOMENT CONNECTIONS

WIND GIRDER DEPTH	NUMBER OF HORIZONTAL ROWS OF BOLTS "n"	MINIMUM SHEAR PLATE THICKNESS	MINIMUM FILLET WELD SIZE (E70XX)	CONNECTION SHEAR CAPACITY (LRFD - KIPS)
W12, W14	3	1/2"	3/16"	33
W16	4	1/2"	3/16"	44
W18	5	1/2"	3/16"	56
W21	6	1/2"	3/16"	67
W24	6	1/2"	3/16"	78
W27	7	1/2"	3/16"	89
W30	8	1/2"	3/16"	100
W33	9	1/2"	3/16"	111
W36	10	1/2"	3/16"	122
W40	11	1/2"	3/16"	133
W44	12	1/2"	3/16"	144

**STRUCTURAL STEEL NOTES:**

- STRUCTURAL STEEL HAS BEEN DESIGNED IN ACCORDANCE WITH THE NEW YORK CITY BUILDING CODE. ALL WIDE FLANGE STEEL SECTIONS TO BE ASTM A992. ALL OTHER STEEL TO BE ASTM A572 HAVING A MINIMUM YIELD OF 50,000 PSI (UON. THIS IS A MINIMUM OF (F<sub>y</sub> > 50ksi) STEEL.
- AISC SPECIFICATIONS FOR STRUCTURAL STEEL IN BUILDINGS, 13<sup>TH</sup> EDITION - LATEST EDITION SHALL APPLY, EXCEPT AS MODIFIED BY THE NOTES, SCHEDULES AND DETAILS SHOWN ON THE STRUCTURAL DRAWINGS OR ANY MORE RESTRICTIVE REQUIREMENTS OF THE NEW YORK CITY BUILDING CODE.
- THE FRAME SHALL BE CARRIED UP TRUE AND PLUMB AND TEMPORARY BRACING SHALL BE INTRODUCED WHERE NECESSARY TO RESIST ALL LOADS TO WHICH THE STRUCTURE MAY BE SUBJECTED, INCLUDING EQUIPMENT AND OPERATION OF SAME. SUCH BRACING SHALL BE THE RESPONSIBILITY OF THE STEEL CONTRACTOR AND SHALL BE LEFT IN PLACE AS LONG AS REQUIRED FOR SAFETY.
- ALL CONNECTIONS SHALL BE DESIGNED AND DETAILED IN ACCORDANCE WITH AISC SPECIFICATIONS.
- ALL WELDED CONNECTIONS SHALL CONFORM TO THE NEW YORK CITY BUILDING CODE. PROVISIONS SHALL BE MADE FOR FIELD INSPECTION AND TESTING OF WELDS. ALL SHOP WELDS SHALL BE TESTED BY ANY OF THE APPROVED METHODS AND SHALL BE CERTIFIED.
- ALL BOLT STEEL SHALL CONFORM TO THE FOLLOWING ASTM DESIGNATIONS, LATEST EDITION: HIGH STRENGTH BOLTS A-325 AND A-490, SLIP CRITICAL, U.O.N.
- ALL BOLTS SHALL BE 1/4" MINIMUM ON HOLES 3/8" UNLESS OTHERWISE SHOWN ON THE DRAWINGS.
- ALL CONNECTIONS SHALL BE HIGH STRENGTH BOLTED OR WELDED. BOLTED CONNECTIONS TO HAVE MIN. 2 BOLTS.
- ALL FIELD SPLICES IF REQUIRED SHALL BE DONE AT CONTRACTORS EXPENSE. CONNECTIONS FOR ALL GRAVITY AND WIND LOADS.
- FOR SHEAR STUDS SEE FRAMING PLAN AND DETAILS.
- ALL ENDS OF COLUMNS AT SPLICES AND ALL OTHER BEARING CONNECTIONS SHALL BE MILLED TO COMPLETE TRUE BEARING.
- PROVISIONS SHALL BE MADE FOR CONNECTIONS OF OTHER TRADES INCLUDING CUTTING AND PUNCHING OF STRUCTURAL MEMBERS, WHERE REQUIRED BY THE DWGS. OR FOR WHICH INFORMATION IS FURNISHED PRIOR TO FABRICATION.
- THE USE OF A CUTTING TORCH IN THE FIELD WILL NOT BE PERMITTED.
- WELDING ELECTRODES SHALL CONFORM TO E70XX ELECTRODES.
- CONTRACTOR SHALL PROVIDE STIFFENERS PER CHAPTER J OF AISC SPECIFICATION (LRFD) REGARDING THE NEED FOR COLUMN STIFFENERS.
- CHARY V-NOTH (CVN) REQUIREMENTS FOR ALL MEMBERS:
  - FOR ROLLED SHAPES GROUP 4, 5, OR W/FLANGES 1" THICK AND THICKER AND PLATES EQUAL TO OR EXCEEDING 2" THICKNESS REFER TO AISC 360.0 SECTION A3.1C AND A3.1D.
  - SEE ADDITIONAL REQUIREMENT IN SECTION 6.3 OF AISC 341-05.
- ALL WELDERS TO BE LICENSED BY THE STATE OF NEW YORK.
- STRUCTURAL STEEL THAT WILL REMAIN EXPOSED TO VIEW SHALL BE PAINTED OR GALVANIZED AS PER THE SPECIFICATIONS.
- DESIGN OF ALL TEMPORARY STEEL COLUMN BRACING REQUIRED DURING ERECTION SHALL BE THE RESPONSIBILITY OF THE STEEL CONTRACTOR.
- ALL STEEL BEAMS AND COLUMNS SHALL BE SPRAY FIREPROOFED U.O.N. SEE ARCH. DRAWINGS FOR APPROPRIATE RATING AND REFER TO SPECIFICATION 07811.
- THE CONTRACTOR SHALL VERIFY ALL CONDITIONS AND DIMENSIONS AND BE RESPONSIBLE FOR ADEQUATE COORDINATION. DISCREPANCIES SHOULD BE REPORTED TO THE ARCHITECT OR ENGINEER BEFORE PROCEEDING.
- THE CONTRACTOR MUST SUBMIT SHOP DRAWINGS TO THE STRUCTURAL ENGINEER FOR REVIEW. NO CONSTRUCTION IS TO BE STARTED UNTIL SHOP DRAWINGS ARE REVIEWED BY THE ENGINEER.
- PRIOR TO INSTALLATION OF ANCHOR BOLTS OR ANY DRILLING OF EXISTING SLAB, BEAM, WALL OR COLUMN, LOCATION OF EXISTING REINFORCING SHALL BE IDENTIFIED. NO EXISTING REINFORCING IS ALLOWED TO BE CUT OR DAMAGED DURING THE COURSE OF NEW CONSTRUCTION. CONNECTIONS SHALL HAVE HORIZ. SLOTTED HOLES FOR ADJUSTMENT.
- ALL PIPING AND DUCT WORK TO BE HUNG FROM BEAMS U.O.N.

**STEEL DECK NOTES:**

- STEEL DECK SHALL CONFORM TO THE CURRENT SPECIFICATIONS FOR THE DESIGN OF LIGHT GAUGE COLD FORMED STEEL STRUCTURAL MEMBERS AS PER THE AISC LATEST EDITION AND STEEL DECK INSTITUTE SPECIFICATIONS AND STANDARDS.
- DECK SHALL BE ANCHORED BY WELDING THROUGH THE BOTTOM OF THE RIB TO STRUCTURAL STEEL WITH 3/8" ARC WELD AT MAXIMUM SPACING OF 12" WITH MINIMUM BEARING ON END LAP OF 2". UOON ON SPLANS, SECTIONS, DETAILS.
- VOIDS LAP OF COMPOSITE DECK WHERE POSSIBLE.
- OPENING IN DECK SHALL BE TREATED AS FOLLOWS:
  - FOR HOLES 6" OR LESS PERPENDICULAR TO SPAN, NO REINFORCING REQUIRED.
  - FOR HOLES OVER 6", BUT NOT MORE THAN 10", SEE DWG. S-612.
  - FOR REINFORCING OF 1-0" (MAX.) x 2'-0" (MAX.) OPENINGS SEE DWG. S-612.
  - ALL OTHER OPENINGS TO BE FRAMED AS SHOWN ON PLAN.
- ALL STEEL DECK TO BE SPRAY FIREPROOFED U.O.N.

**SUPERSTRUCTURE CONCRETE NOTES:**

- ALL CONCRETE OVER METAL DECK SHALL BE NORMAL WEIGHT STRUCTURAL CONCRETE WITH A MINIMUM COMPRESSIVE STRENGTH OF 3,500 PSI AT 28 DAYS U.O.N.
- ALL CONCRETE IS TO COMPLY WITH ALL REQUIREMENTS OF CURRENT ACI BLDG. CODE AND ALL OTHER RELEVANT SECTIONS OF THE NEW YORK CITY BUILDING CODE.

PROJECT:  
**138 EAST 50TH ST.  
NEW YORK, NY**

OWNER/DEVELOPER:  
**CERUZZI PROPERTIES, LLC**  
400 PARK AVENUE, 5th FLOOR  
NEW YORK, NY 10022  
TEL: (212) 900-7700

ARCHITECT OF RECORD:  
**SLCEArchitects, LLP**  
1359 BROADWAY, 14th FLOOR  
NEW YORK, NY 10018  
TEL: (212) 979-9400  
FAX: (212) 979-9387

DESIGN ARCHITECT:  
**Pelli Clarke Pelli Architects**

322 60TH AVENUE  
NEW YORK, NY 10001  
TEL: (212) 417-9494  
FAX: (212) 417-9497

STRUCTURAL ENGINEER:  
**WSP**  
228 East 45th St.  
New York, NY 10017  
(212) 687-9888  
www.wspgroup.com/us

M.E.P. ENGINEER:  
**MGE**  
115 West 20th Street, 12th Floor, New York, NY 10011  
P: (212) 681-0505 F: (212) 681-0500 www.mge.net

CIVIL ENGINEER:  
**Phil Habib & Associates**  
102 MADISON AVENUE, 11th FLOOR  
NEW YORK, NY 10017  
TEL: (212) 929-5656  
FAX: (212) 929-5655

DOB EXPEDITOR:  
**JAM Consultants, Inc.**  
104 WEST 29th STREET, 9th FLOOR  
NEW YORK, NY 10001  
TEL: (212) 244-4497  
FAX: (212) 244-4497

VERTICAL TRANSPORTATION CONSULTANT:  
**Jenkins & Huntington, Inc.**  
1251 AVENUE OF THE AMERICAS  
NEW YORK, NY 10020  
TEL: (212) 496-1818  
FAX: (212) 496-4528

ZONING CONSULTANT:  
**Development Consulting Services**  
330 WEST 42ND STREET  
NEW YORK, NY 10018  
TEL: (212) 714-0282  
FAX: (212) 714-0283

EXTERIOR WALL CONSULTANT:  
**Vidaris, Incorporated**  
340 PARK AVENUE SOUTH, 15th FL.  
NEW YORK, NY 10010  
TEL: (212) 687-5389

**Marguerite Baril, R.A.**  
APPROVED  
Under Directive 2 of 1976  
EXERCISE OF PROFESSIONAL RIGHTS  
Date: 08/26/2016  
NYC Development Hub

REVISIONS

NO.	DATE	REVISION
1	02-25-16	ISSUE TO DOB
2	02-25-16	REVISED 10H STEEL FRAMING

D.O.B. NUMBER: \_\_\_\_\_

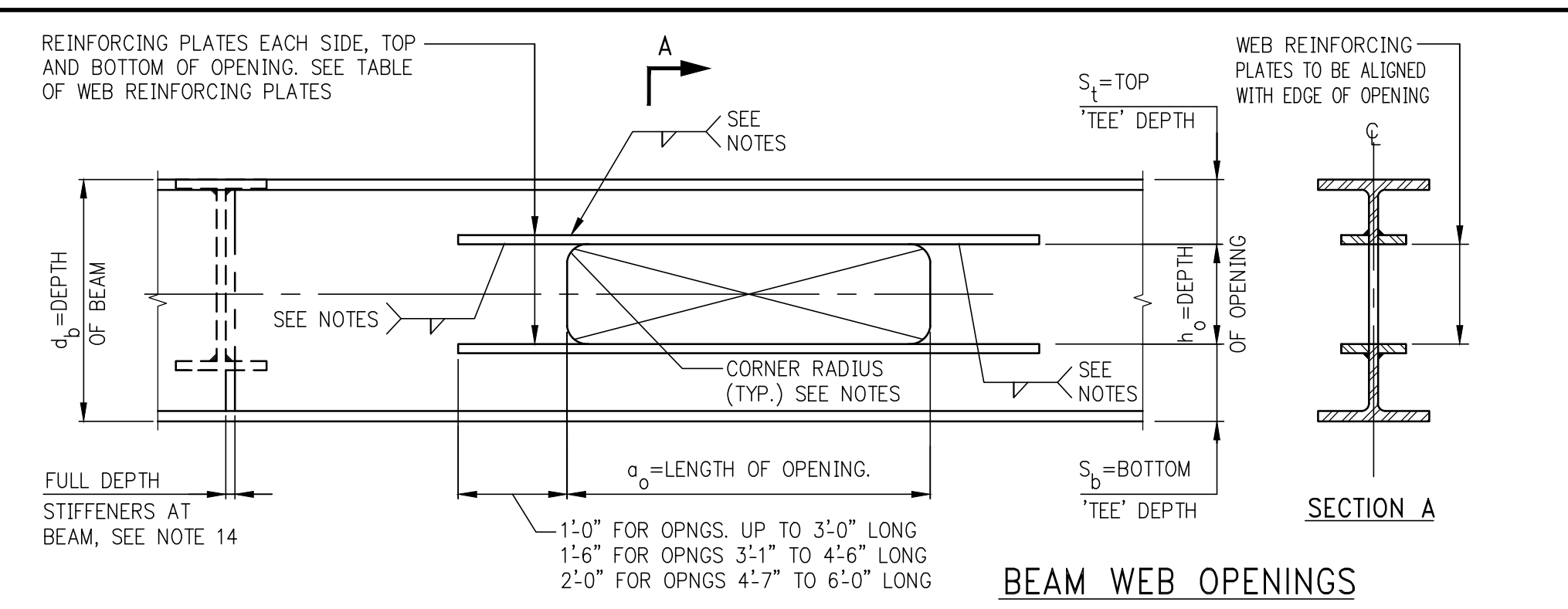
**NB#** \_\_\_\_\_

SCALE: 1/4" = 1'-0"

KEY PLAN:  
EAST 50TH STREET  
EAST 49TH STREET  
138 EAST 50TH STREET  
NEW YORK, N.Y.

DRAWING TITLE:  
**TYPICAL STEEL DETAIL I**

DATE: 05/14/2015  
PROJECT No.: 1590031  
DRAWN BY: CASO  
CHECKED BY: CS  
DWG. No.: **S-966.00**  
SHEET No.: \_\_\_\_\_ OF 0

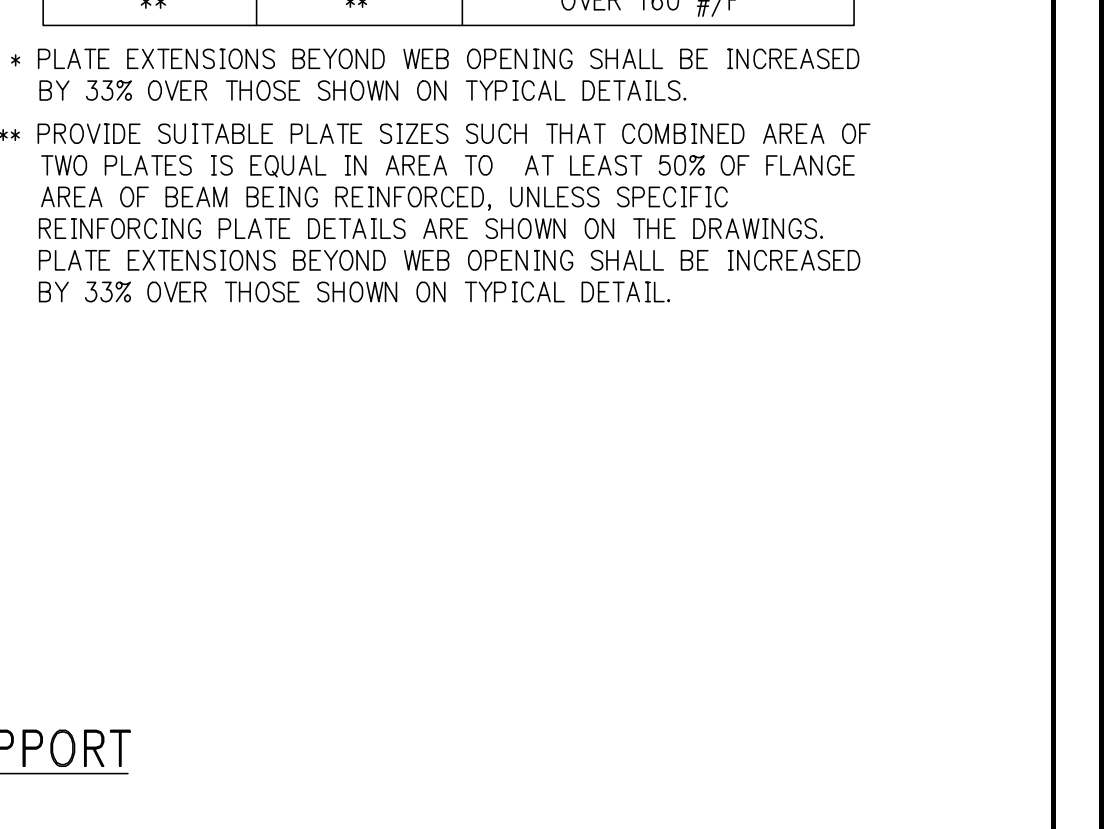
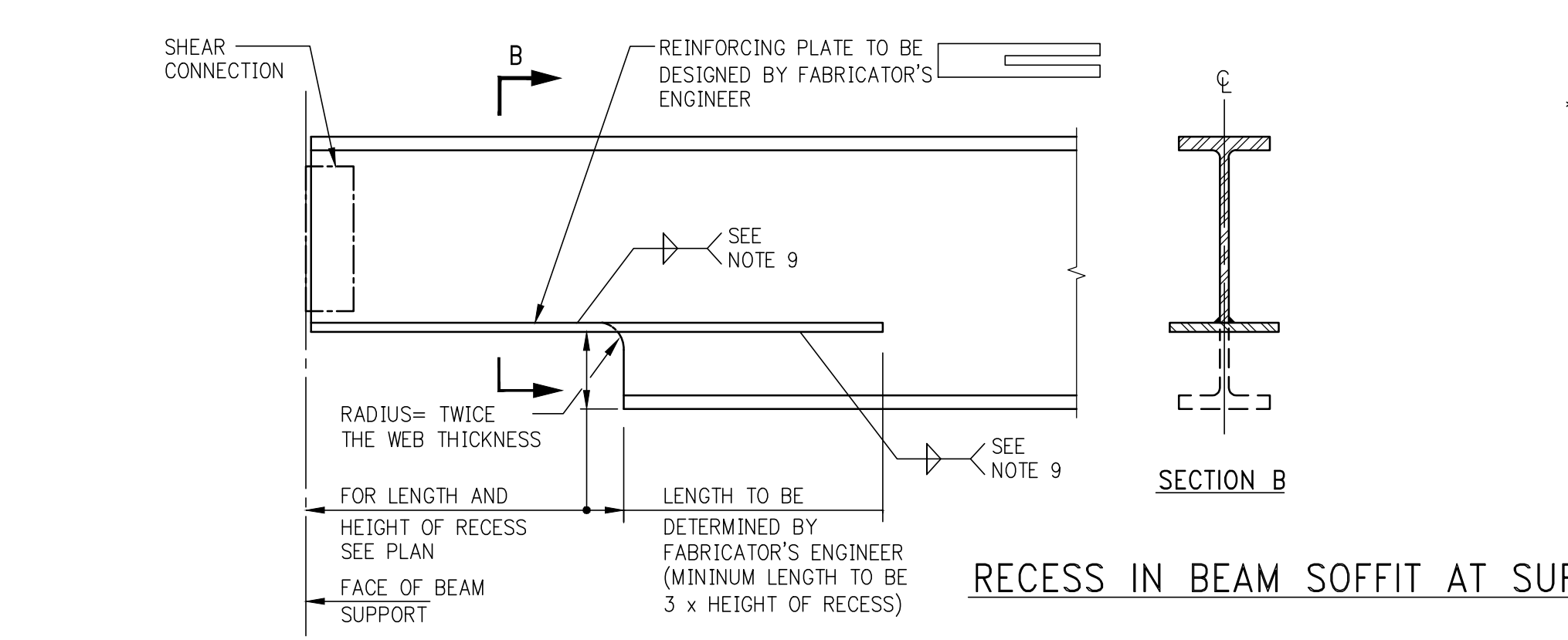


**TABLE OF MINIMUM WEB REINFORCING PLATES**

PLATE SIZE - EACH SIDE OF WEB (in x in)	Ar PROVIDED (2 x 1/2)	RANGE OF BEAM WEIGHTS FOR USE OF P'S
1/2 x 1 1/2	1.13	UP TO 22 #/F
3/8 x 2	1.50	23 THRU 30 #/F
1/2 x 2	2.00	31 THRU 40 #/F
3/8 x 2 1/2	2.50	41 THRU 50 #/F
1/2 x 3	3.00	51 THRU 60 #/F
3/8 x 3	3.75	61 THRU 70 #/F
1/2 x 3 1/2	4.50	76 THRU 90 #/F
3/8 x 3	5.25	91 THRU 100 #/F
1 x 3	6.00	106 THRU 120 #/F
1 x 3 1/2	7.00	121 THRU 140 #/F
1 x 4	8.00	141 THRU 160 #/F
**	**	OVER 160 #/F

PLATE EXTENSIONS BEYOND WEB OPENING SHALL BE INCREASED BY 33% OVER THOSE SHOWN ON TYPICAL DETAILS.

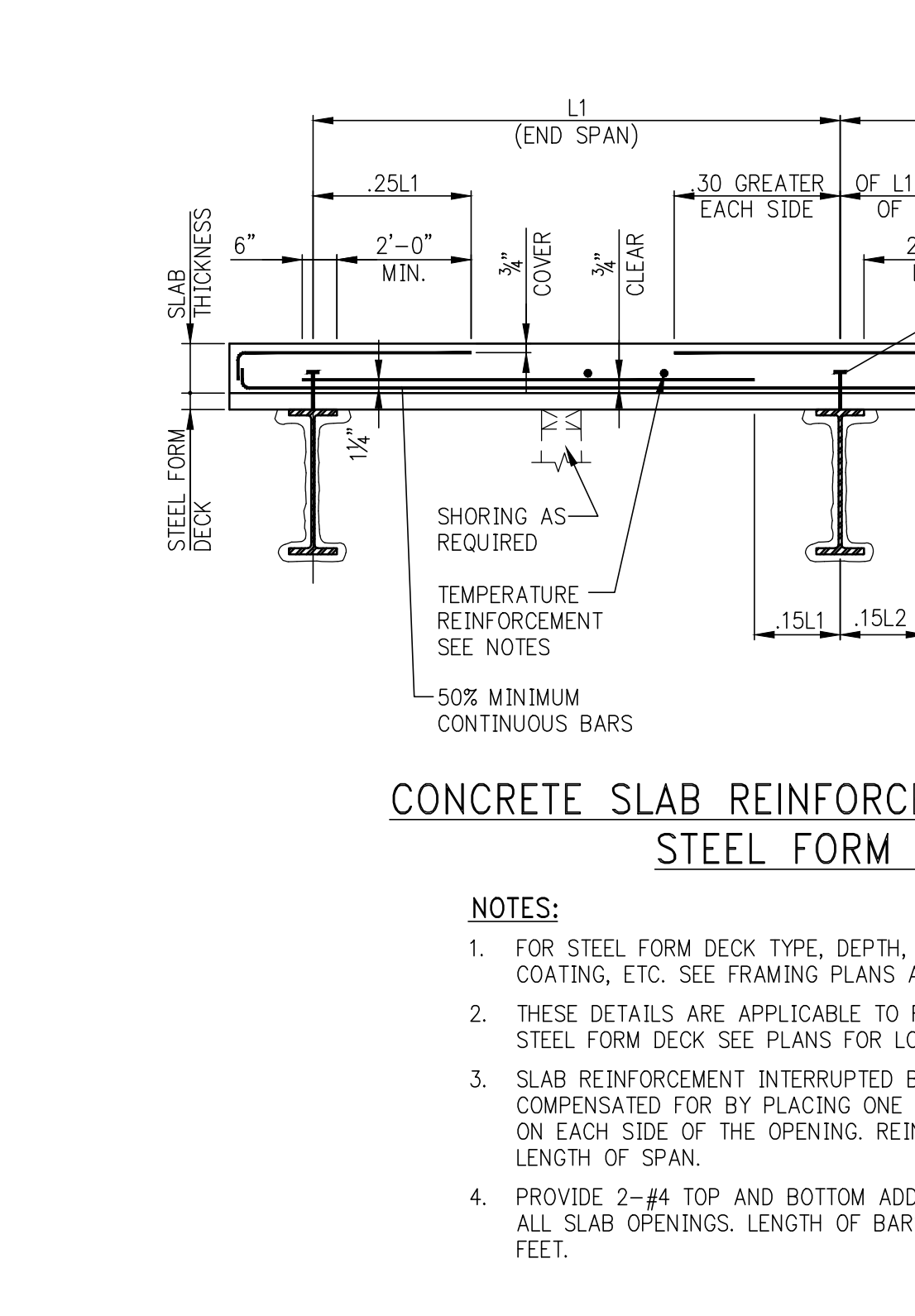
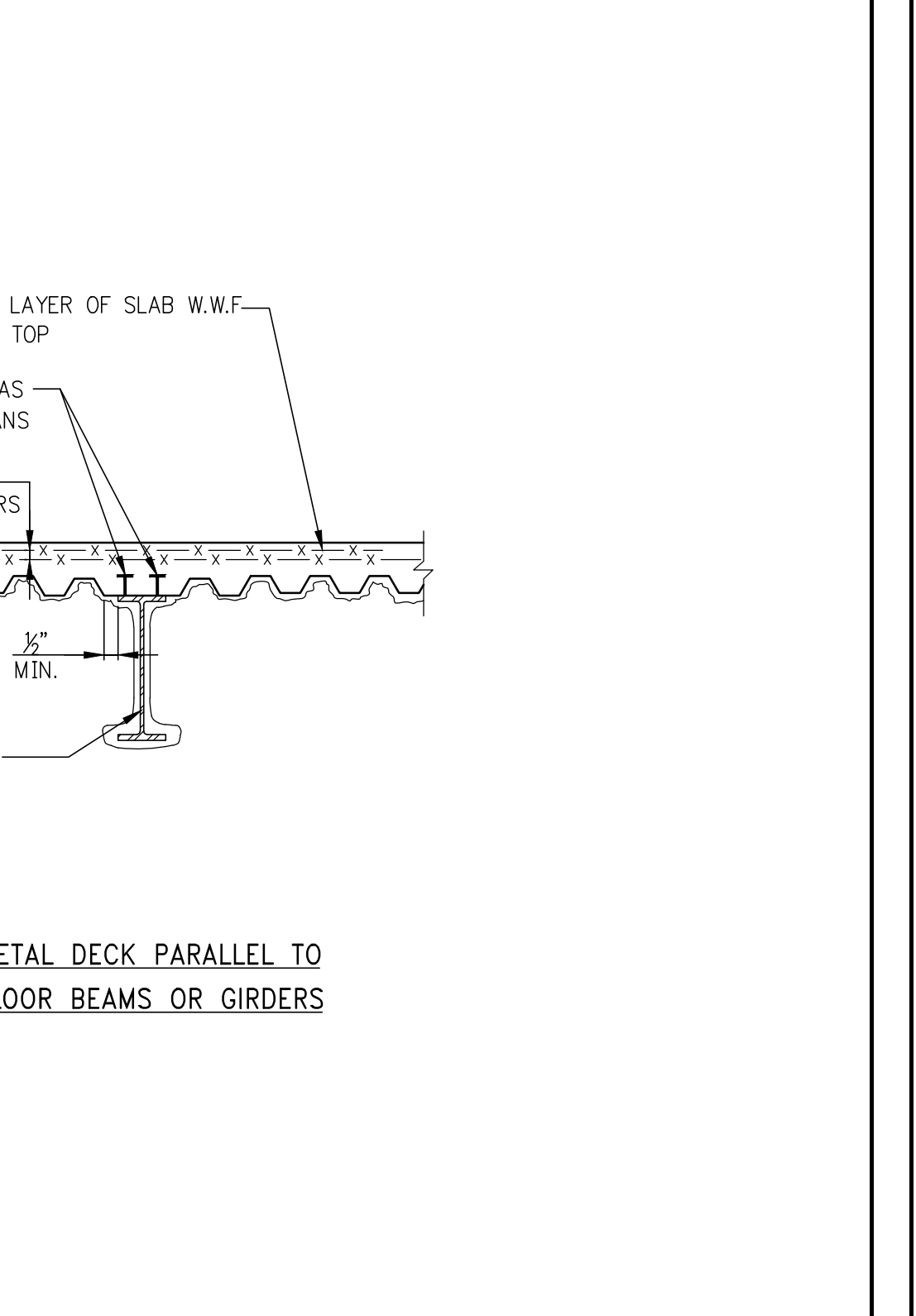
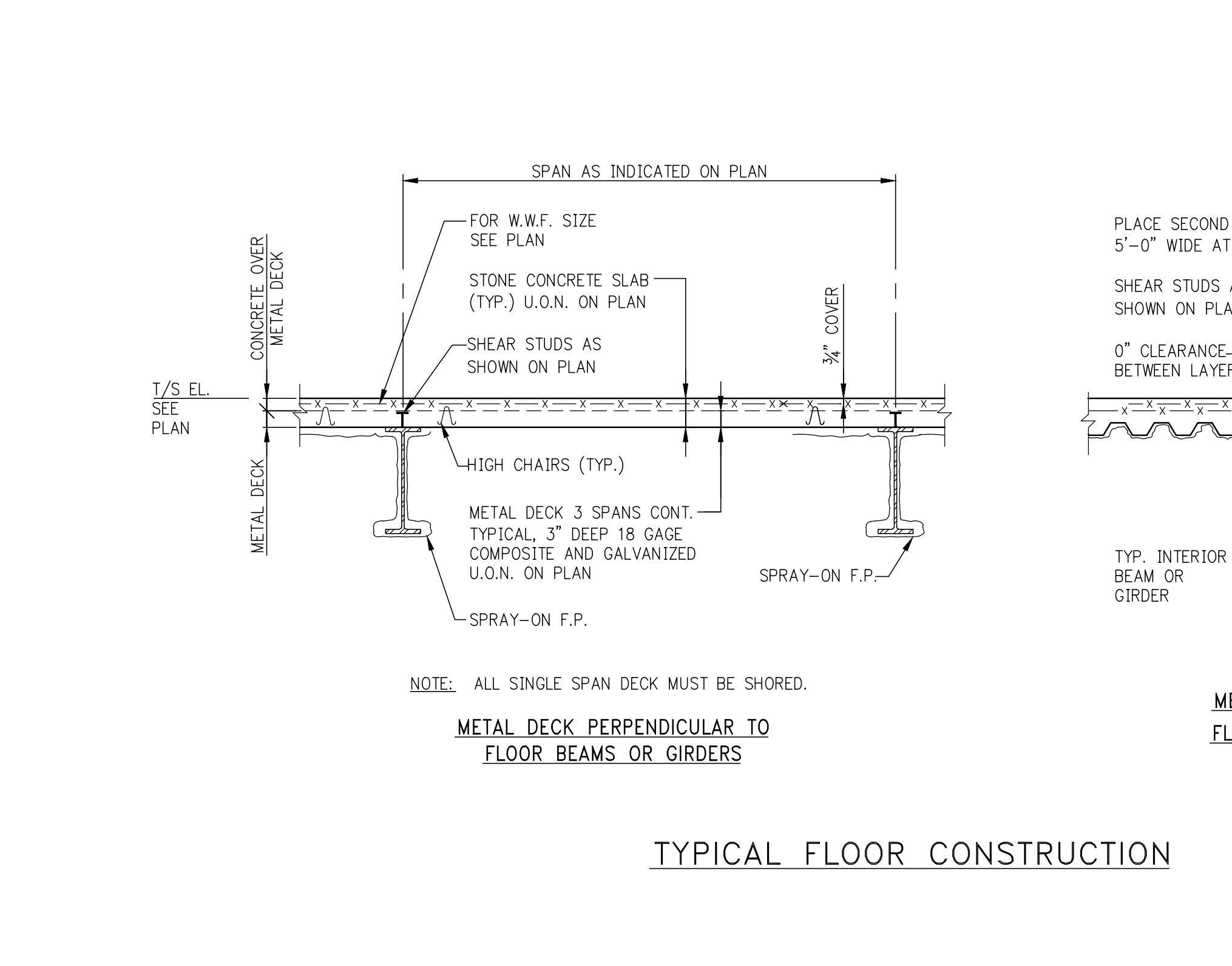
PROVIDE SUITABLE PLATE SIZES SUCH THAT COMBINED AREA OF TWO PLATES IS EQUAL IN AREA TO AT LEAST 50% OF FLANGE AREA OF BEAM BEING REINFORCED. (UNLESS SPECIFIC REINFORCING PLATE DETAILS ARE SHOWN ON THE DRAWINGS. PLATE EXTENSIONS BEYOND WEB OPENING SHALL BE INCREASED BY 33% OVER THOSE SHOWN ON TYPICAL DETAIL.)



**CIRCULAR OPENINGS- MAXIMUM DIAMETERS OF UNREINFORCED AND REINFORCED OPENINGS**

BEAM SIZE	MAX. HOLE DIA. UNREINFORCED	MAX. HOLE DIA. WEB DOUBLER	MAX. HOLE DIA. HORIZ. WEB PLATES
W12 (40 #/F & UP)	3.0"	4.25"	6.0"
(35 #/F & LESS)	3.0"	4.75"	6.0"
W14 (43 #/F & UP)	3.5"	5.0"	7.0"
(38 #/F & LESS)	3.5"	5.5"	7.0"
W16	4.0"	6.25"	9.0"
W18	4.5"	7.25"	11.0"
W21	5.0"	8.5"	12.5"
W24	6.0"	10.0"	14.5"
W27	6.5"	11.0"	16.0"
W30	7.5"	13.0"	18.0"
W33	8.0"	14.5"	20.0"
W36	9.0"	15.5"	21.5"
W40	10.0"	16.5"	24.0"
W44	11.0"	18.5"	26.0"

- TYPICAL BEAM WEB OPENING NOTES:**
1. THE GRADE OF STEEL (F<sub>y</sub>) OF ALL REINFORCING PLATES AND WEB DOUBLERS SHALL BE EQUAL TO THE GRADE OF STEEL (F<sub>y</sub>) OF THE BEAM BEING REINFORCED.
  2. USE THESE DETAILS TO REINFORCE ALL WEB OPENINGS UNLESS OTHER SPECIFIC REINFORCING DETAILS ARE CALLED FOR ON THE DRAWINGS.
  3. SOME SMALL WEB PENETRATIONS MAY NOT REQUIRE WEB REINFORCING. REINFORCING MAY BE OMITTED ONLY WHEN SPECIFIC DIRECTION IS GIVEN ON THE FRAMING PLAN THAT WEB REINFORCING IS NOT REQUIRED.
  4. MAXIMUM h<sub>o</sub> = 0.60 d<sub>w</sub> FOR WEB AND DEEPER = 0.55 d<sub>w</sub> FOR W12 & W14 = 0.50 d<sub>w</sub> FOR W18 & W24 (THIS DETAIL DOES NOT APPLY TO BEAMS SHALLOWER THAN 12")
  5. MINIMUM S<sub>OR</sub> S<sub>o</sub> = 0.20 d<sub>w</sub> FOR WEB AND DEEPER = 3.5" FOR W12 & W14 = 0.25 d<sub>w</sub> FOR W18 & W24
  6. THE MAXIMUM AND MINIMUM SHOWN IN NOTES 4 AND 5 DO NOT HAVE TO OCCUR SIMULTANEOUSLY - A SHALLOWER DEPTH OPENING MAY BE SHIFTED UP OR DOWN FROM MID-DEPTH, RESULTING IN A MINIMUM S<sub>OR</sub> OR S<sub>o</sub>.
  7. MAXIMUM LENGTH OF OPENING (L<sub>o</sub>) IS DEPENDENT UPON S<sub>OR</sub> OR S<sub>o</sub> < d<sub>w</sub>, 4 d<sub>w</sub>, OR 8 d<sub>w</sub>, WHICHEVER IS SMALLER. MAXIMUM LENGTH OF OPENING SHALL NOT EXCEED 6'-0" REGARDLESS OF BEAM SIZE AND/OR OPENING DEPTH.
  8. THE WEBS IN EACH EXTENSION OF THE WEB REINFORCING PLATE BEYOND THE ENDS OF THE OPENING SHALL DEVELOP THE YIELD STRENGTH (σ<sub>y</sub>) OF THE WEB REINFORCING PLATE, UNLESS OTHERWISE NOTED.
  9. THE WEBS IN EACH EXTENSION OF THE WEB REINFORCING PLATE BEYOND THE ENDS OF THE OPENING SHALL DEVELOP THE YIELD STRENGTH OF THE WEB REINFORCING PLATE. MINIMUM WELD SIZE PER TABLE 12.4, ALSO SPECIFICATIONS.
  10. CORNER RADIUS SHALL NOT BE LESS THAN TWICE THE THICKNESS.
  11. THE NEAREST EDGE OF ANY WEB OPENING SHALL BE AT LEAST A DISTANCE d<sub>w</sub> FROM A BEAM SUPPORT.
  12. TWO ADJACENT WEB OPENINGS SHALL BE SEPARATED BY A MINIMUM DISTANCE BETWEEN EDGES OF OPENINGS EQUAL TO THE LARGER OF THE TWO WEB OPENING LENGTHS.
  13. NO CONCENTRATED LOAD SHALL BE LOCATED WITHIN THE LENGTH OF THE WEB OPENING.
  14. NO BEAM SHALL BE FRAMED INTO THE BEAM CONTAINING THE WEB OPENING WITHIN A DISTANCE OF d<sub>w</sub>/2 FROM THE EDGE OF THE OPENING. ANY BEAM LOCATED BETWEEN A DISTANCE OF d<sub>w</sub>/2 AND d<sub>w</sub> FROM THE EDGE OF AN OPENING SHALL BE FRAMED TO FULL DEPTH STIFFENERS ON EACH SIDE OF THE WEB.
  15. NO BEAM PENETRATIONS WILL BE ALLOWED UNLESS SIZE AND LOCATION ARE SHOWN ON PLAN.

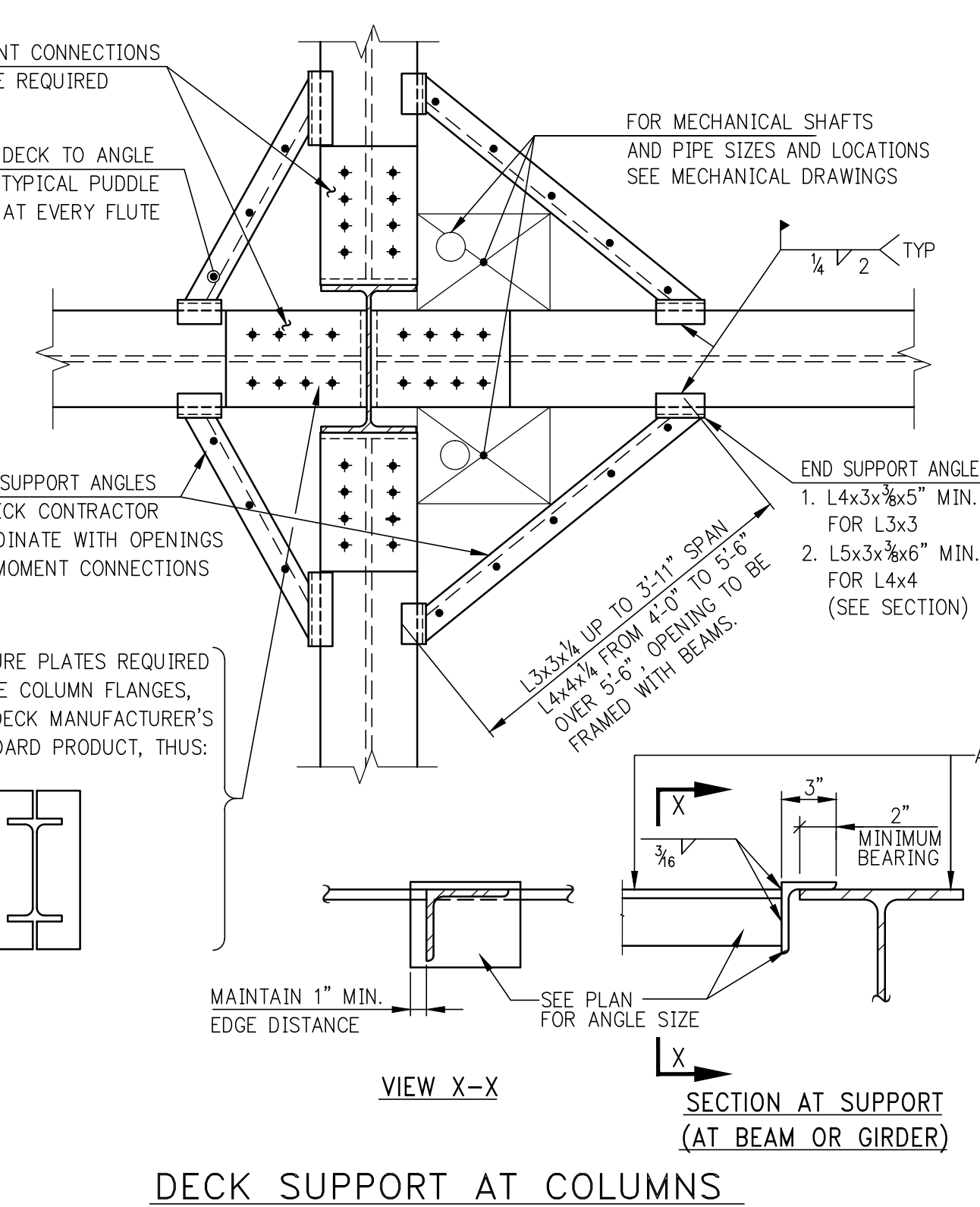
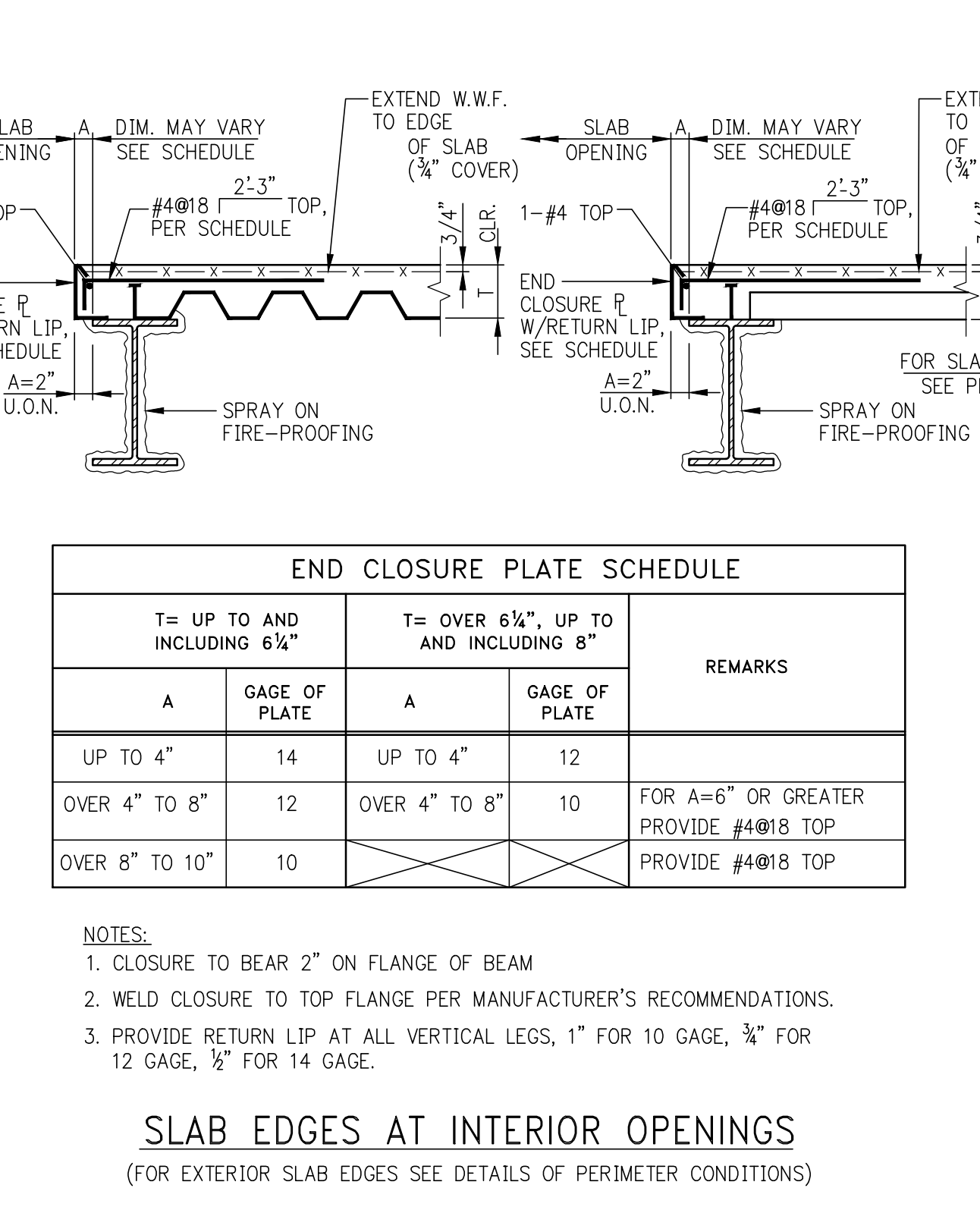
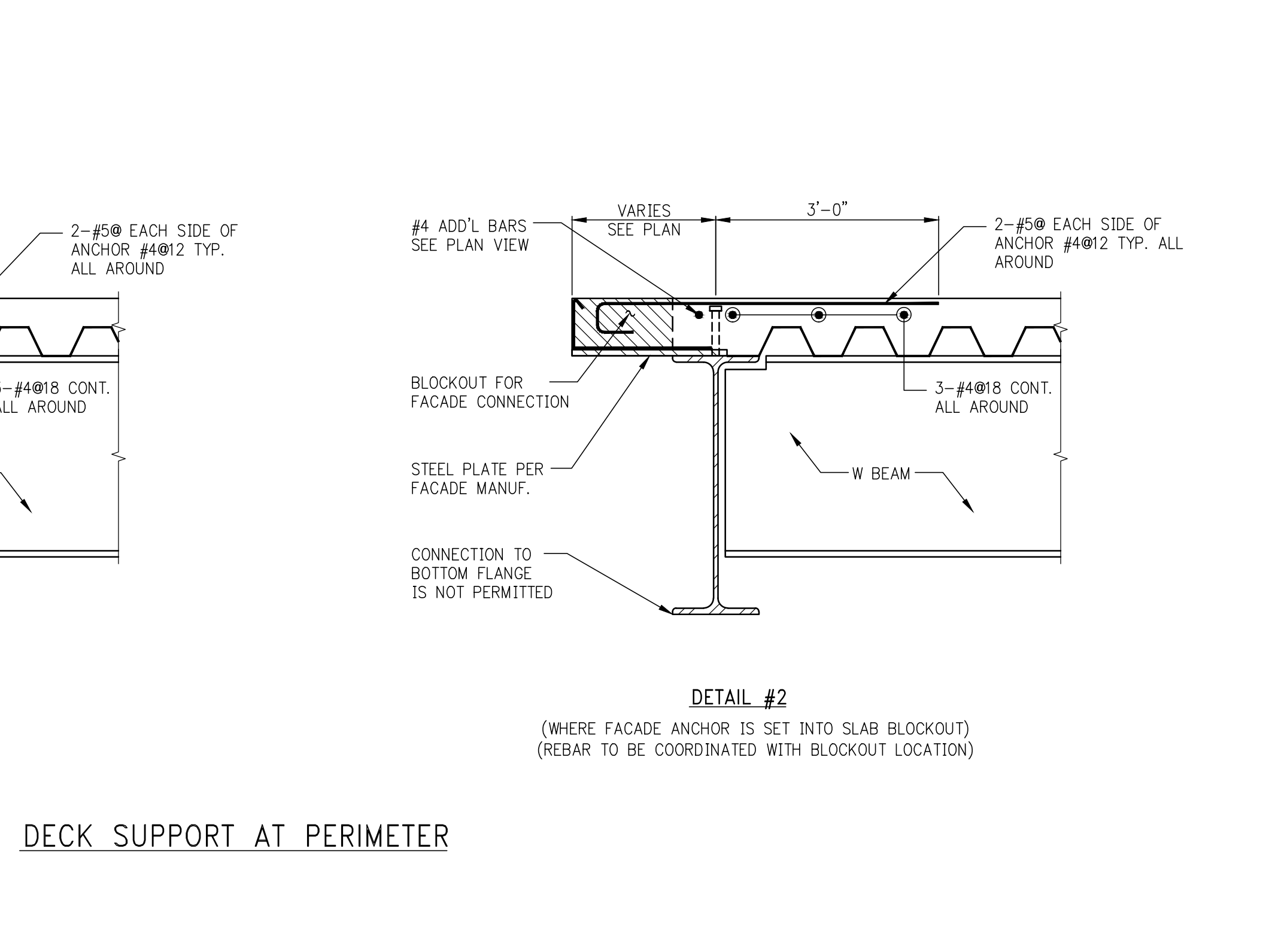
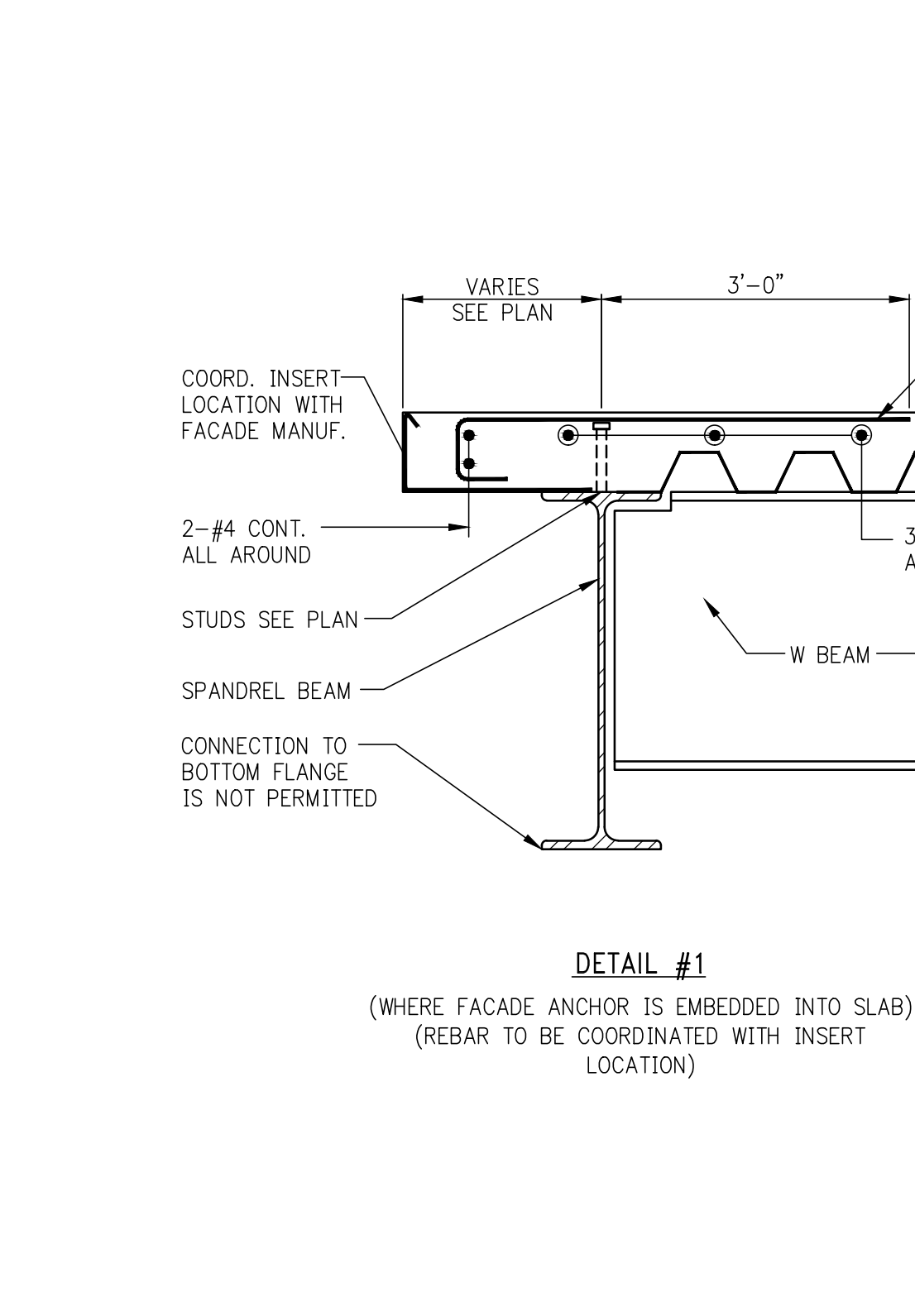
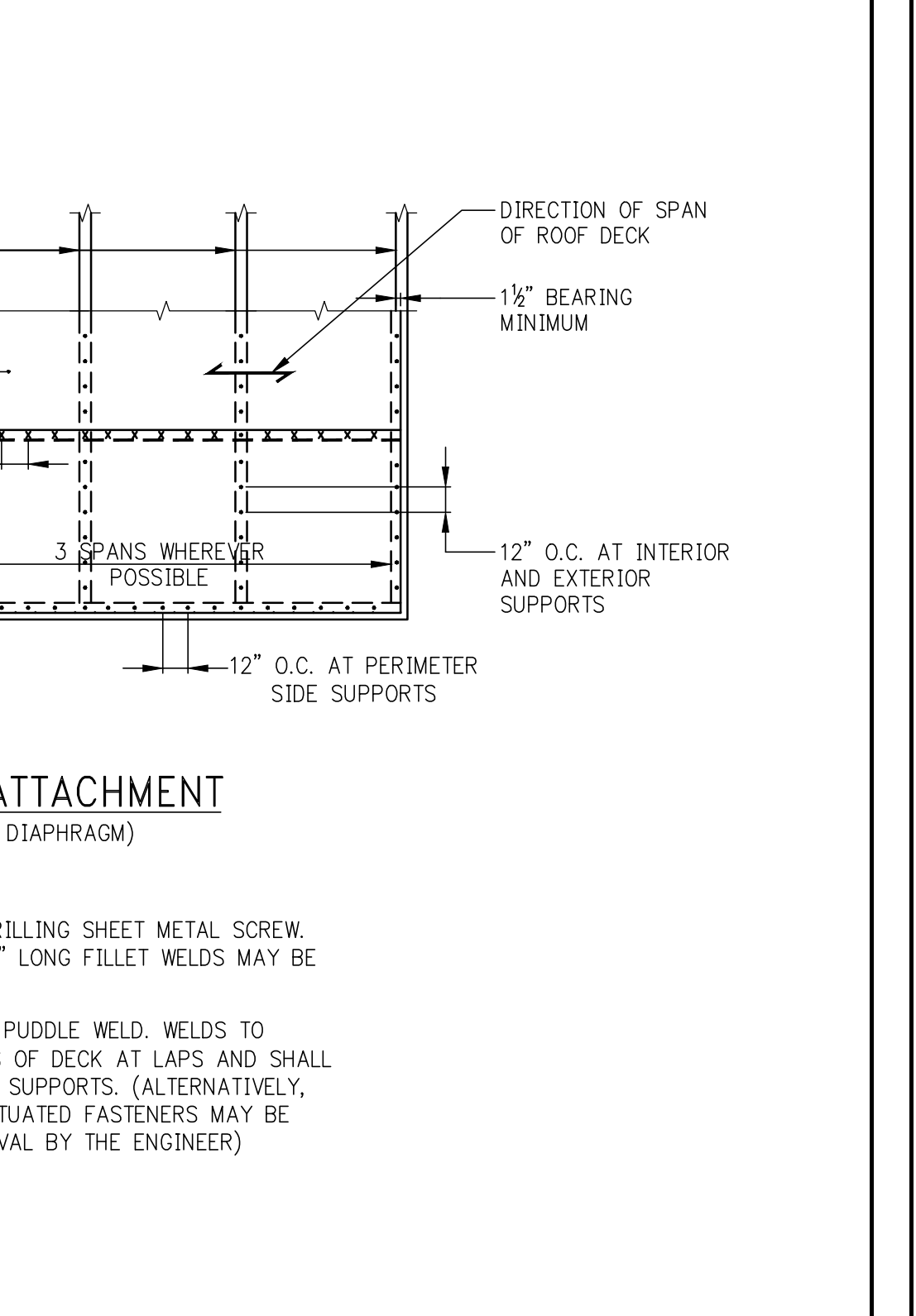
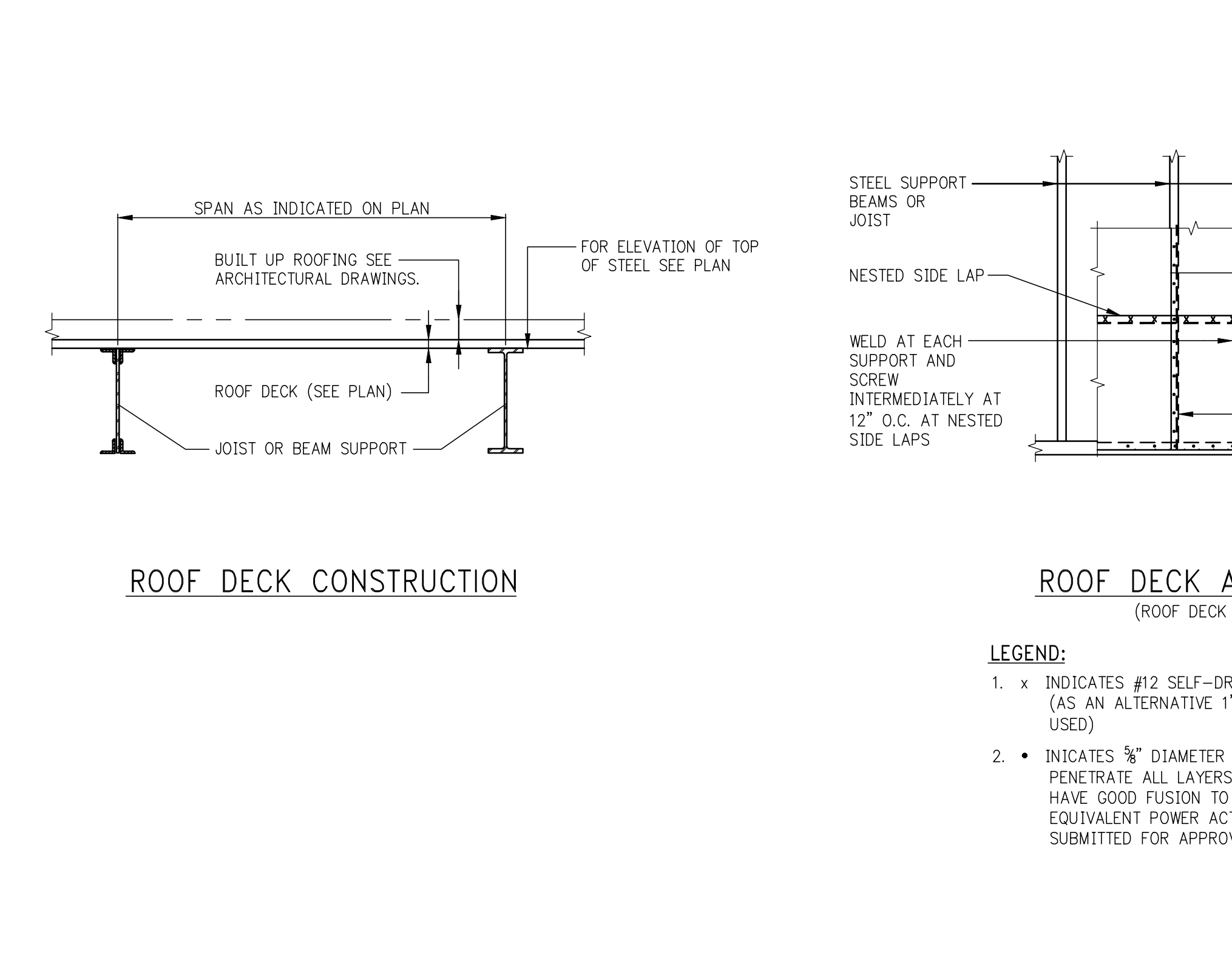
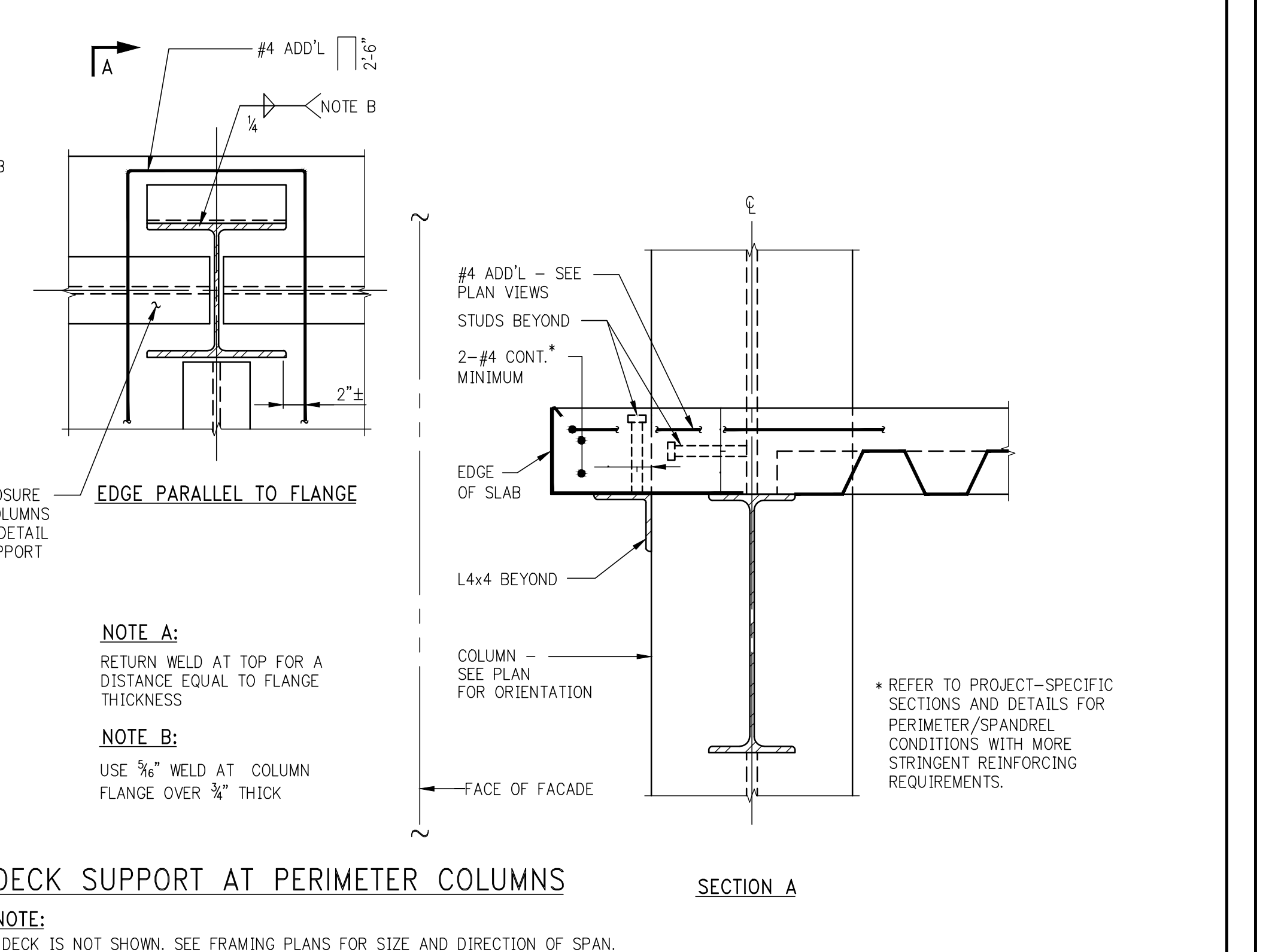
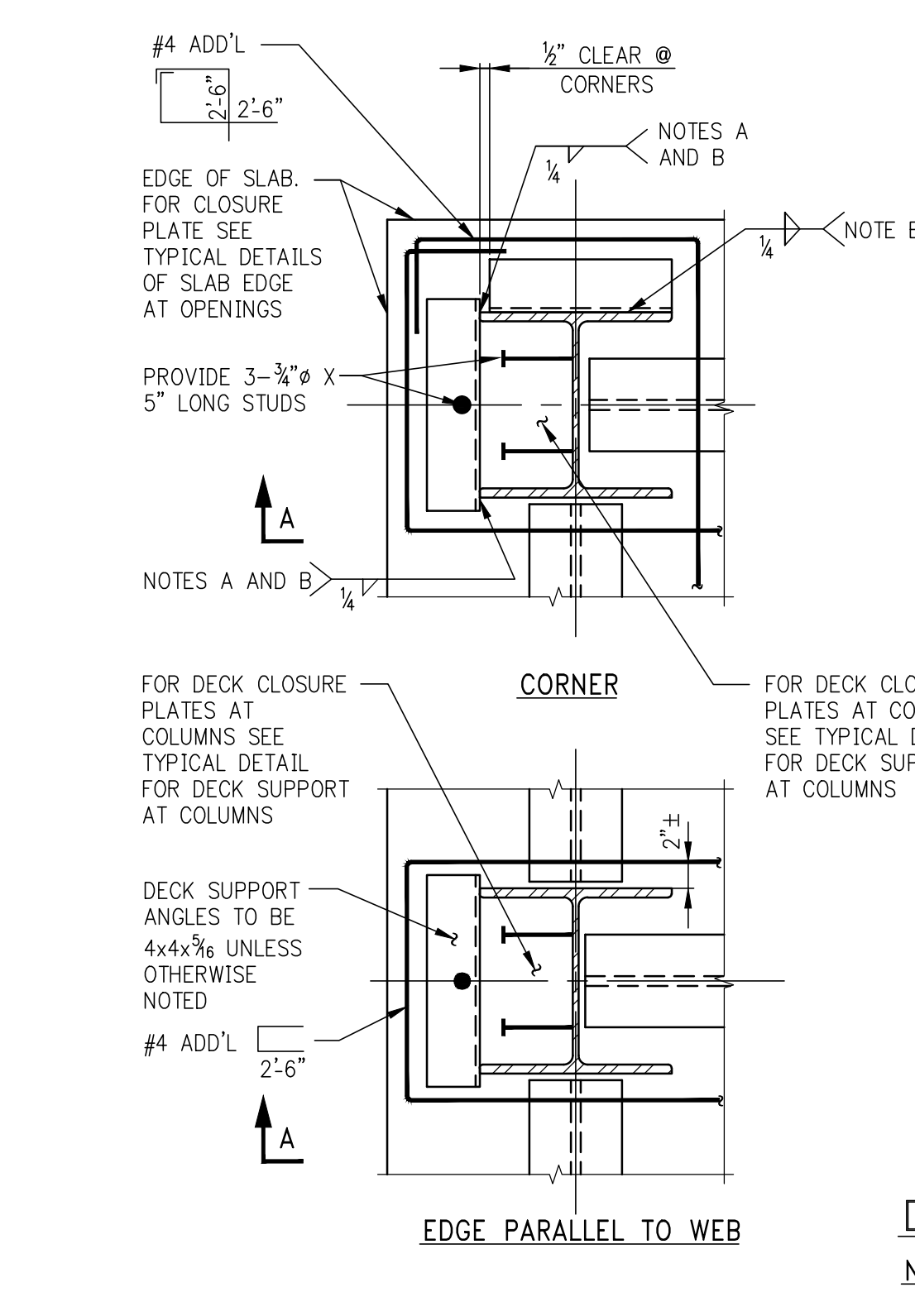
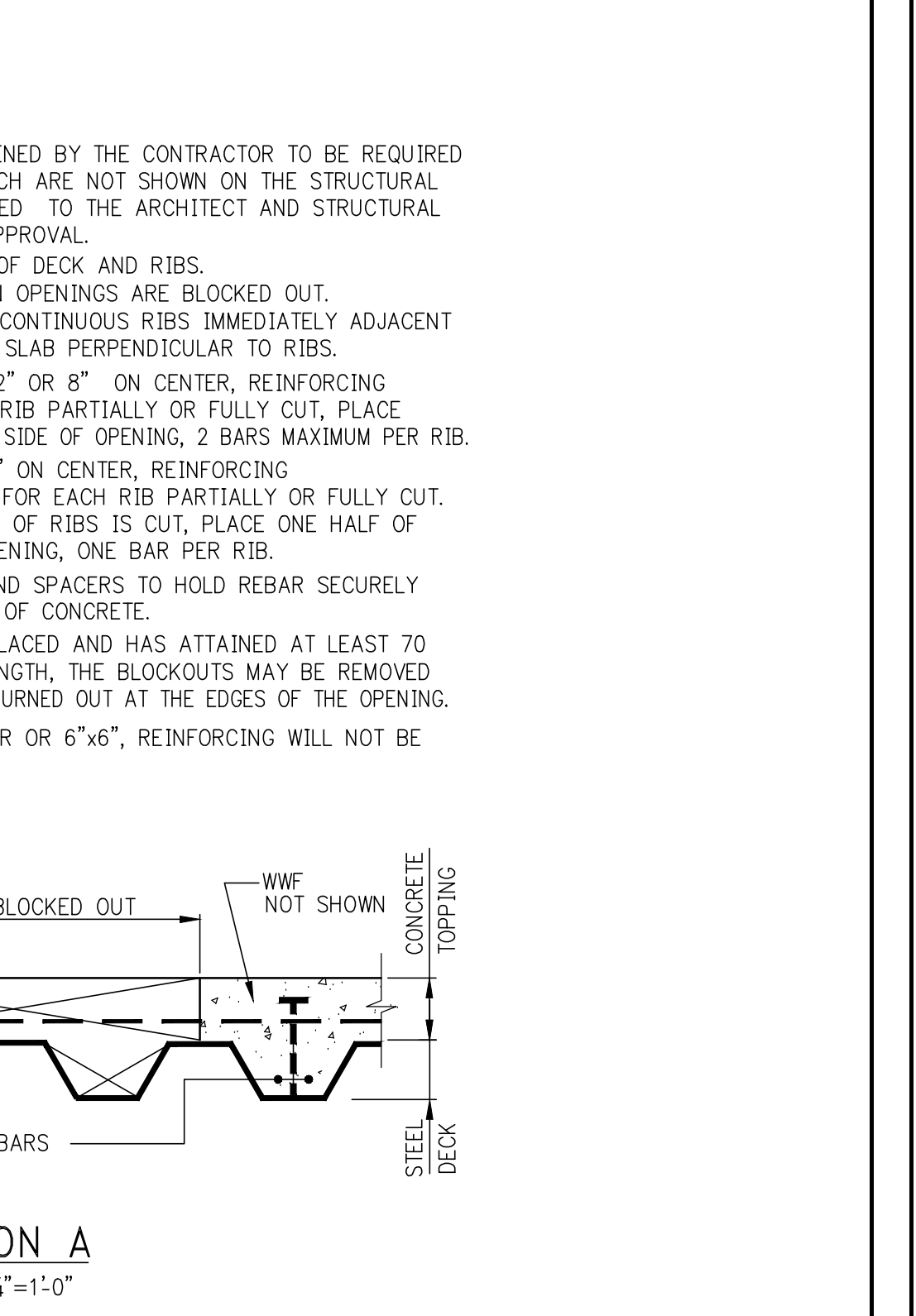
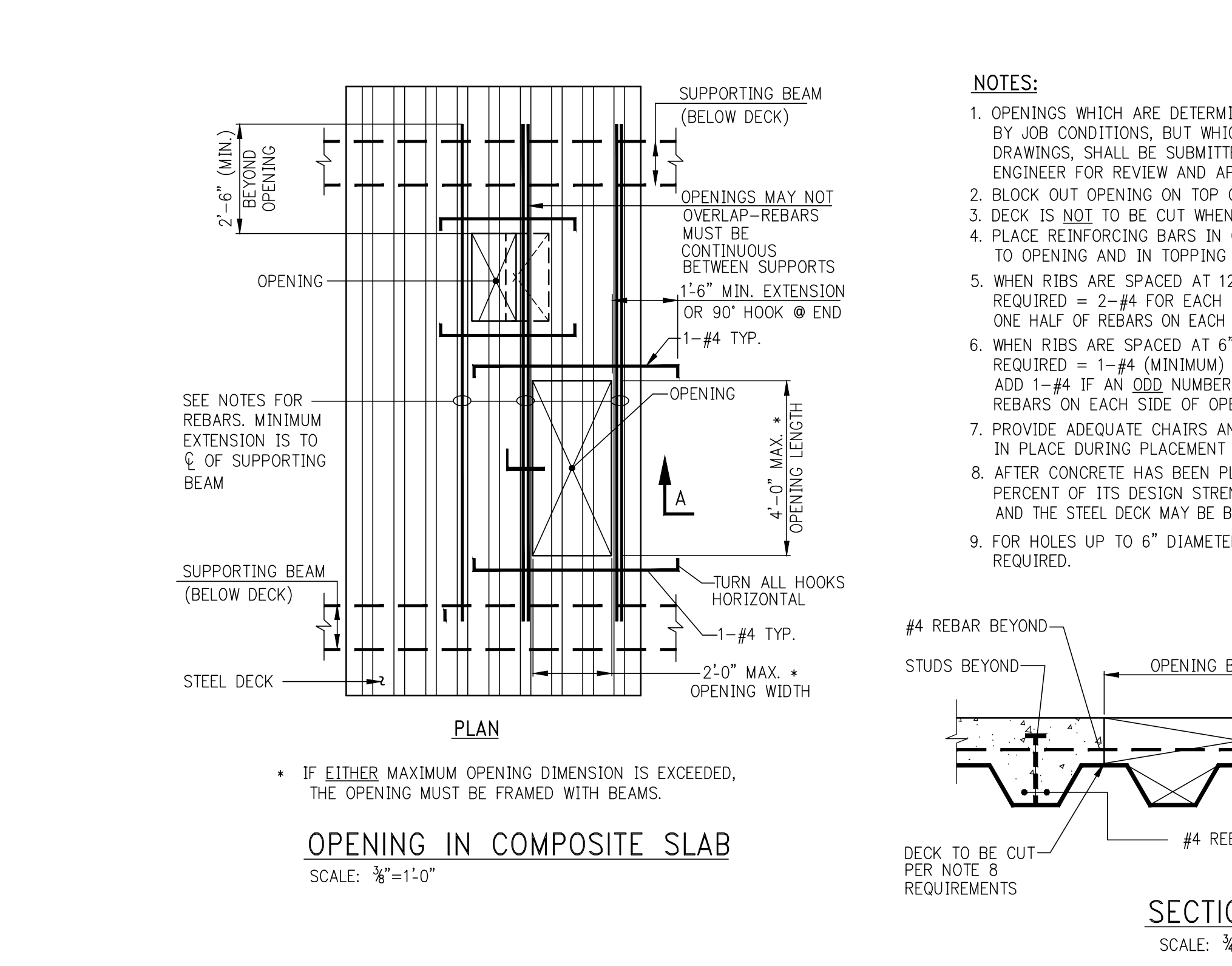


**END CLOSURE PLATE SCHEDULE**

TO UP TO AND INCLUDING	GAGE OF PLATE	TO OVER 4" UP TO AND INCLUDING 6"	GAGE OF PLATE	REMARKS
UP TO 4"	14	UP TO 4"	12	
OVER 4" TO 6"	12	OVER 4" TO 6"	10	FOR 6" OR GREATER PROVIDE #4@8 TOP
OVER 6" TO 10"	10			PROVIDE #4@8 TOP

**NOTES:**

1. FOR STEEL FORM DECK TYPE, DEPTH, GAGE, YIELD STRESS, PROTECTIVE COATING, ETC. SEE FRAMING PLANS AND NOTES.
2. THESE DETAILS ARE APPLICABLE TO REINFORCED CONCRETE SLAB PLACED ON STEEL FORM DECK. SEE PLANS FOR LOCATIONS.
3. SLAB REINFORCEMENT INTERRUPTED BY AN OPENING IN THE SLAB SHALL BE COMPENSATED FOR BY PLACING ONE HALF OF THE REINFORCEMENT TERMINATED ON EACH SIDE OF THE OPENING. REINFORCEMENT SHALL EXTEND FOR FULL LENGTH OF SPAN.
4. PROVIDE 2-#4 TOP AND BOTTOM ADDITIONAL BARS AT ALL FOUR SIDES OF ALL SLAB OPENINGS. LENGTH OF BARS TO BE EQUAL TO OPENING PLUS FIVE FEET.
5. PROVIDE #4@12 TOP REINFORCEMENT OVER ALL STEEL FRAMING MEMBERS (GIRDERS) WHICH ARE PARALLEL TO THE SPAN DIRECTION OF THE SLAB BARS TO EXTEND 2'-0" FROM EDGE OF GIRDER FLANGE ON EACH SIDE OF GIRDER.
6. HOOK ALL TOP BARS AT DISCONTINUOUS ENDS, I.E. FACE OF CANTILEVERS.
7. SLAB TEMPERATURE REINFORCEMENT SHALL BE #4@18 FOR SLAB THICKNESS UP TO 6", #4@12 FOR SLAB THICKNESS BETWEEN 6" AND 9", #4@9 BETWEEN 9" AND 12".



PROJECT:  
138 EAST 50TH ST.  
NEW YORK, NY

ARCHITECT OF RECORD:  
SLICE Architects, LLP  
1359 BROADWAY, 14th FLOOR  
NEW YORK, NY 10018  
TEL: (212) 979-8400  
FAX: (212) 979-8387

DESIGN ARCHITECT:  
Pelli Clarke Pelli Architects  
322 EIGHTH AVENUE  
NEW YORK, NY 10001  
TEL: (212) 417-9494  
FAX: (212) 417-9497

STRUCTURAL ENGINEER:  
WSP  
228 East 45th St.  
New York, NY 10017  
(212) 687-0888  
www.wspgroup.com

M.E.P. ENGINEER:  
MGE  
118 West 20th Street, 12th Floor, New York, NY, NY 10011  
P.O. BOX 18055 • F212480550 • www.mgeinc.net

CIVIL ENGINEER:  
Philip Habib & Associates  
102 MADISON AVENUE, 11TH FLOOR  
NEW YORK, NY 10016  
TEL: (212) 929-5656  
FAX: (212) 929-5655

DOB EXPEDITOR:  
JAM Consultants, Inc.  
104 WEST 29TH STREET, 9th FLOOR  
NEW YORK, NY 10001  
TEL: (212) 244-4427  
FAX: (212) 244-4497

VERTICAL TRANSPORTATION CONSULTANT:  
Jenkins & Huntington, Inc.  
1251 AVENUE OF THE AMERICAS  
NEW YORK, NY 10020  
TEL: (212) 496-1818  
FAX: (212) 696-4528

ZONING CONSULTANT:  
Development Consulting Services  
330 WEST 42ND STREET  
NEW YORK, NY 10018  
TEL: (212) 714-0285  
FAX: (212) 714-0283

EXTERIOR WALL CONSULTANT:  
Vidar, Incorporated  
340 PARK AVENUE SOUTH, 15TH FL.  
NEW YORK, NY 10010  
TEL: (212) 687-3899

Marguerite Baril, RA  
APPROVED Under Directive 2 of 1976  
EXERCISES AUTHORITY  
Date: 08/26/2016  
NYC Development Hub

138 EAST 50TH STREET  
NEW YORK, N.Y.

DRAWING TITLE:  
TYPICAL STEEL DETAIL II

DATE: 05/14/2015  
PROJECT No.: 1599031  
DRAWN BY: CASO  
CHECKED BY: CS  
DWG. NO.: S-967.00  
SHEET No.: 1 of 9

PROJECT:  
138 EAST 50TH ST.  
NEW YORK, NY

OWNER/DEVELOPER:  
CERUZZI PROPERTIES, LLC  
400 PARK AVENUE, 5th FLOOR  
NEW YORK, NY 10022  
TEL: (212) 300-1700

ARCHITECT OF RECORD:  
SLCEArchitects, LLP  
1359 BROADWAY, 14th FLOOR  
NEW YORK, NY 10018  
TEL: (212) 979-8400  
FAX: (212) 979-8387

DESIGN ARCHITECT:  
Pelli Clarke Pelli Architects  
322 EIGHTH AVENUE  
NEW YORK, NY 10001  
TEL: (212) 417-9474  
FAX: (212) 417-9477

STRUCTURAL ENGINEER:  
WSP  
228 East 45th St.  
New York, NY 10017  
(212) 687-0888  
www.wspgroup.com/usa

M.E.P. ENGINEER:  
MGE  
MGE Engineering D.P.C. is an engineer success  
115 West 120th Street, 12th Floor, New York, NY 10011  
P: (212) 851-0055 F: (212) 643-0050 www.mgepc.net

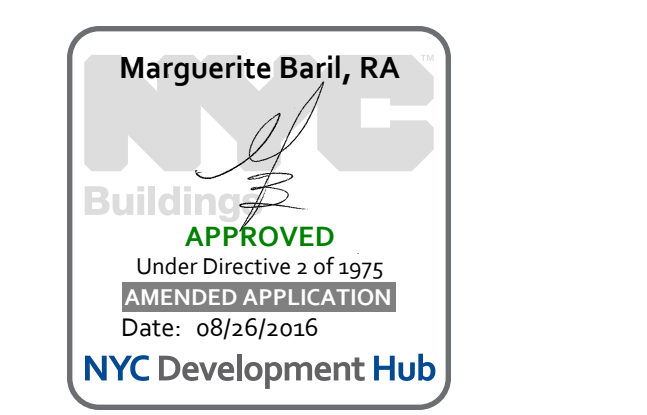
CIVIL ENGINEER:  
Philip Habib & Associates  
102 MADISON AVENUE, 11th FLOOR  
NEW YORK, NEW YORK 10016  
TEL: (212) 929-5656  
FAX: (212) 929-5655

DOB EXPEDITOR:  
JAM Consultants, Inc.  
104 WEST 29th STREET, 9th FLOOR  
NEW YORK, NEW YORK 10001  
TEL: (212) 244-4427  
FAX: (212) 244-4497

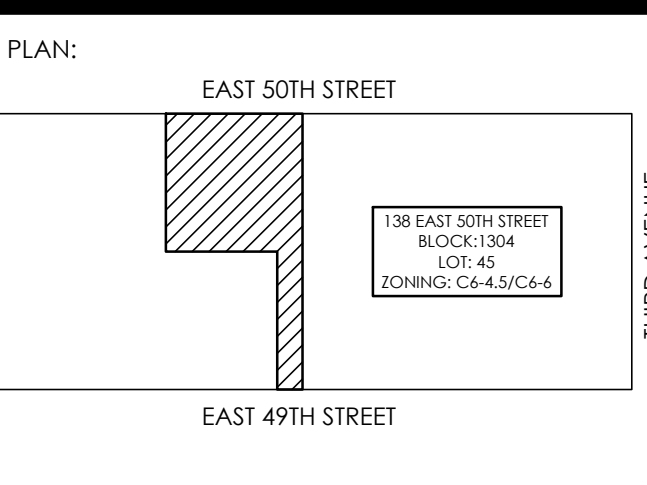
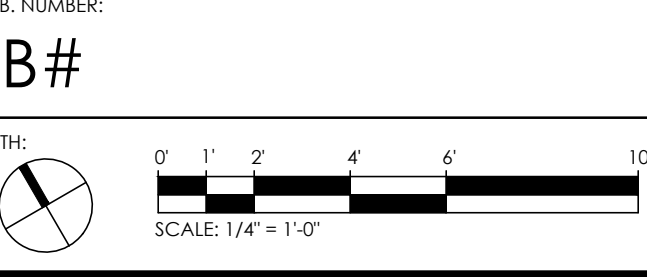
VERTICAL TRANSPORTATION CONSULTANT:  
Jenkins & Huntington, Inc.  
1251 AVENUE OF THE AMERICAS  
NEW YORK, NEW YORK 10020  
TEL: (212) 696-1818  
FAX: (212) 696-4526

ZONING CONSULTANT:  
Development Consulting Services  
330 WEST 42ND STREET  
NEW YORK, NEW YORK 10036  
TEL: (212) 714-0282  
FAX: (212) 714-0283

EXTERIOR WALL CONSULTANT:  
Vidaris, Incorporated  
340 PARK AVENUE SOUTH, 15th FL.  
NEW YORK, NEW YORK 10010  
TEL: (212) 689-3389



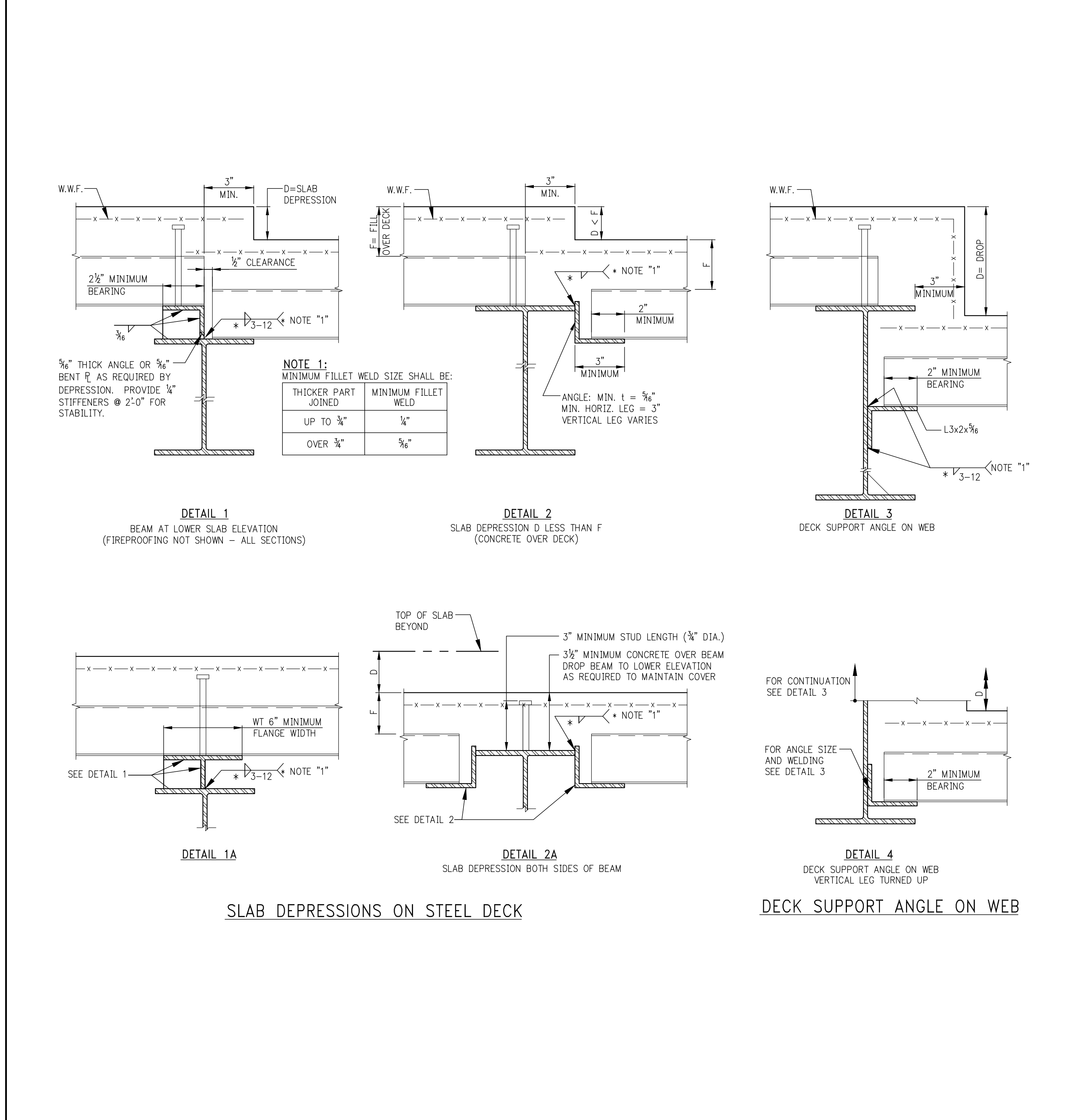
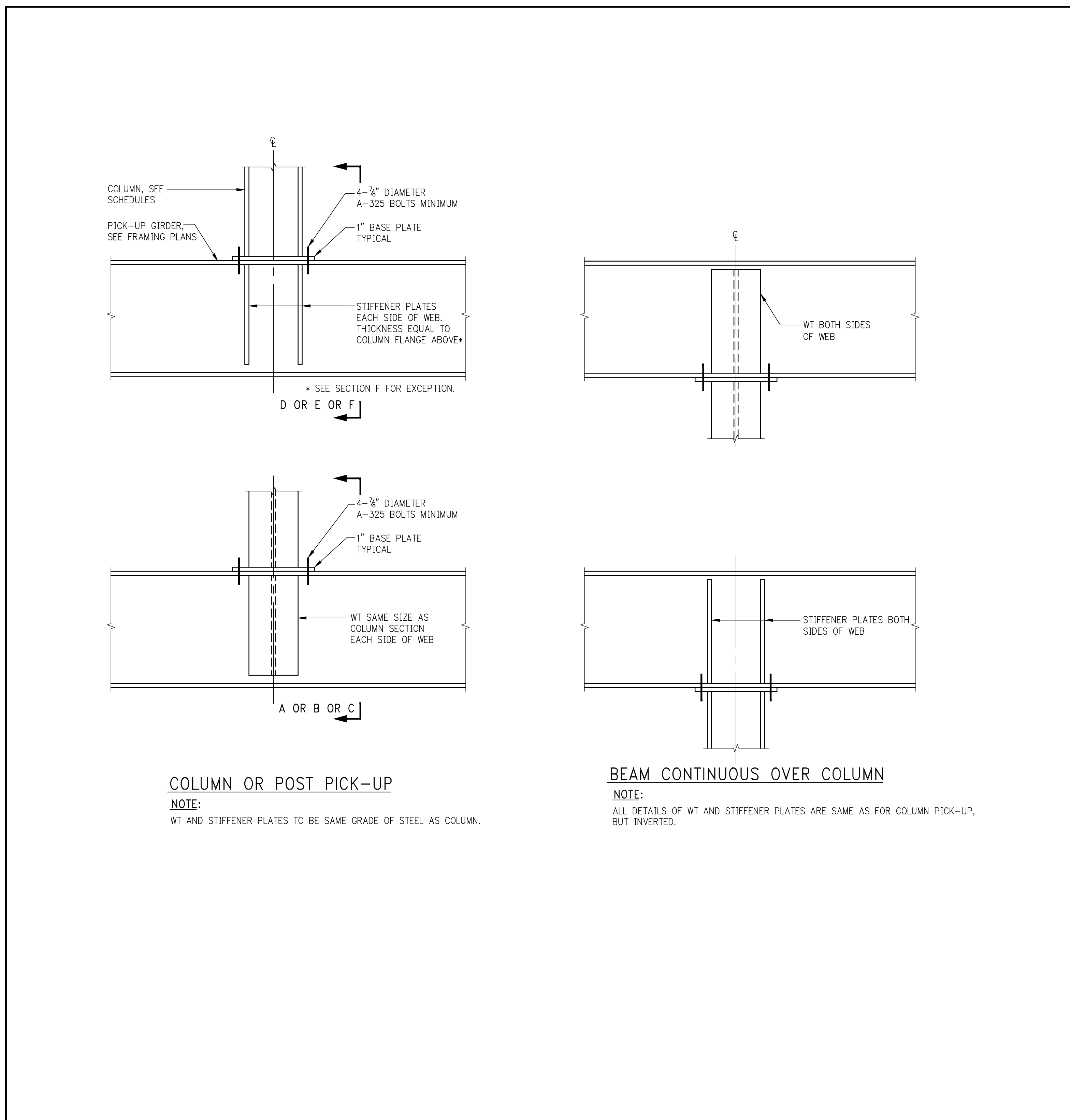
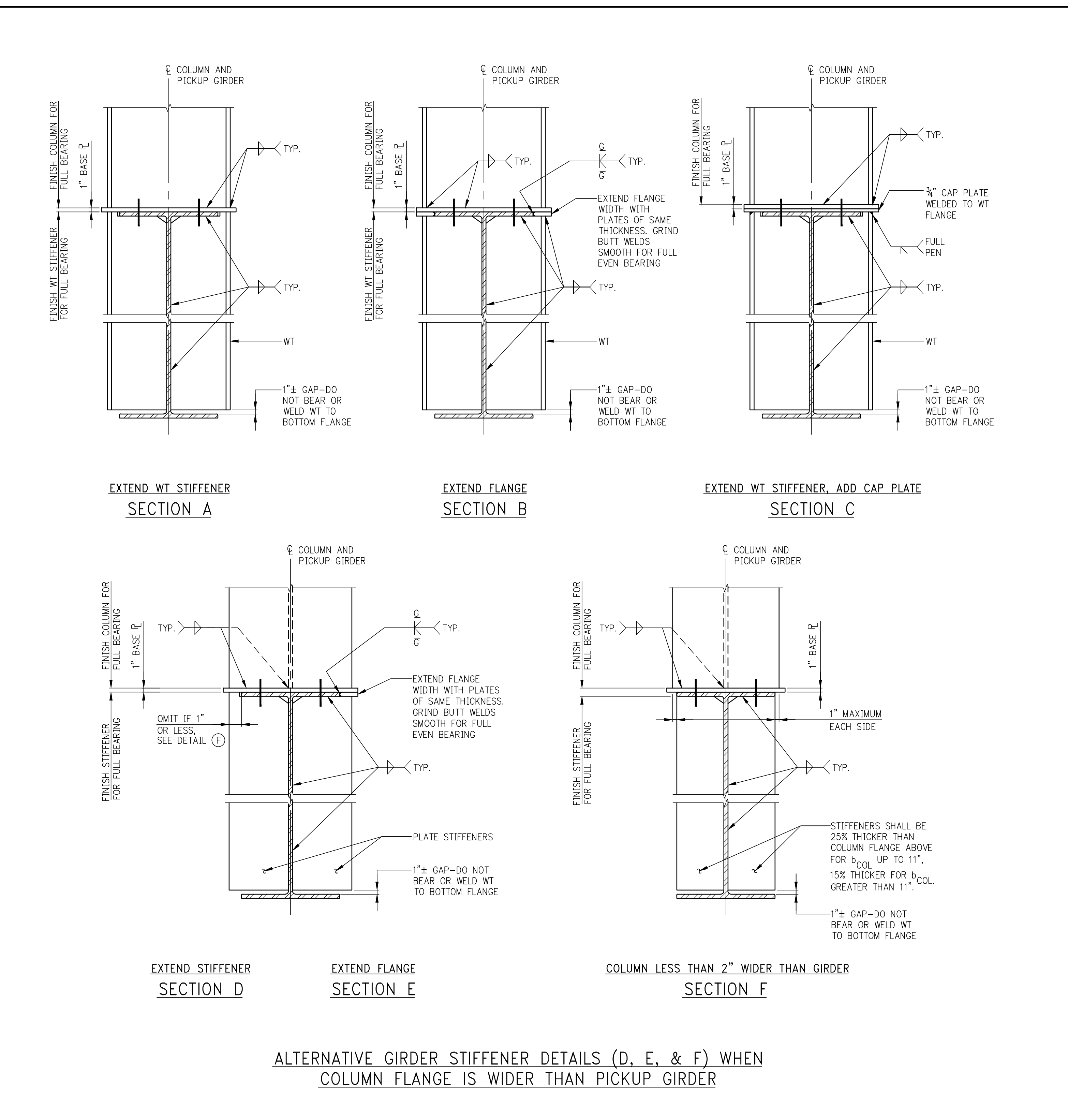
NO.	DATE	REVISION
1	02-25-16	REVISED TOH STEEL FRAMING
2	05-18-16	ISSUE TO DOB

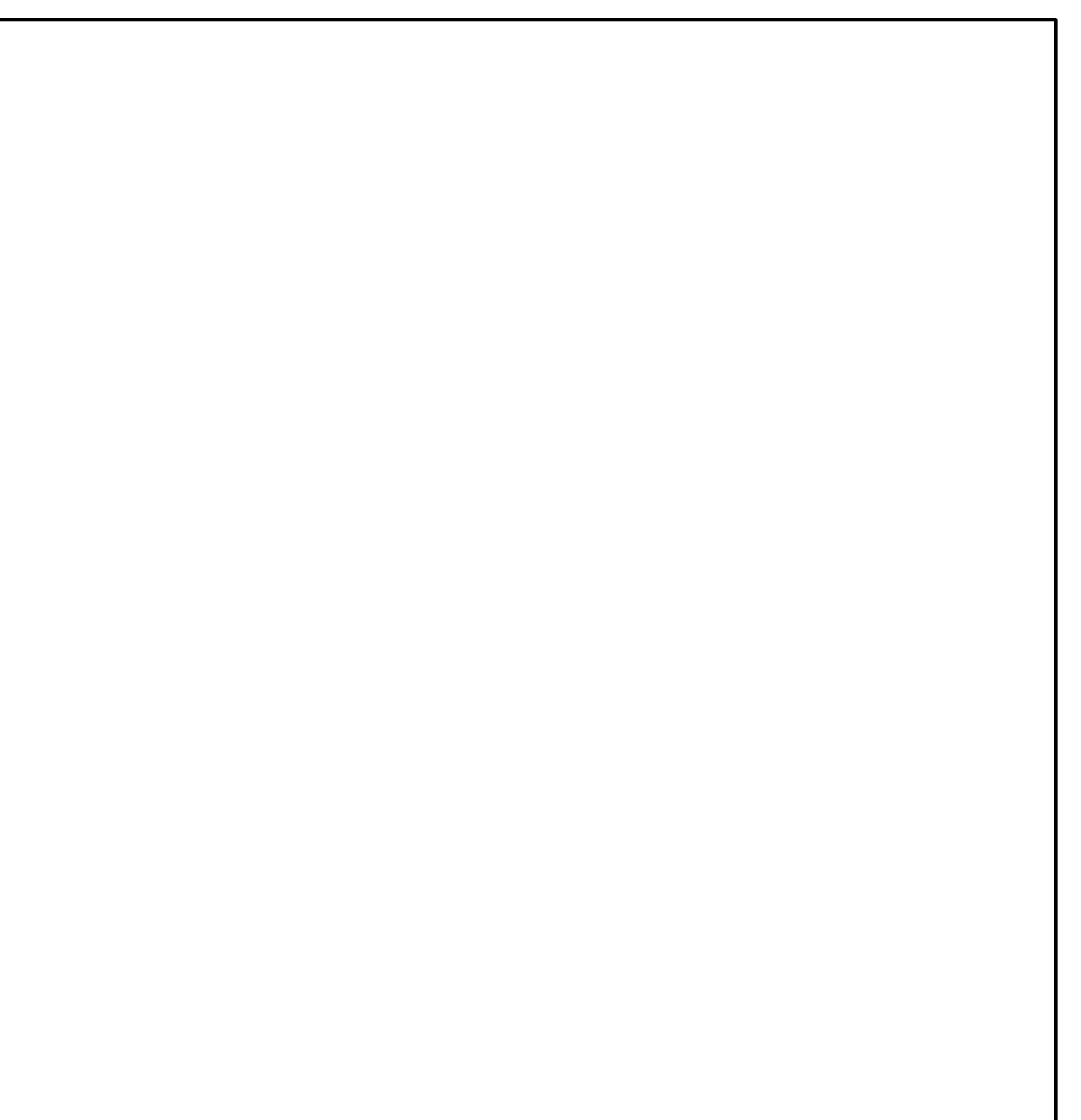
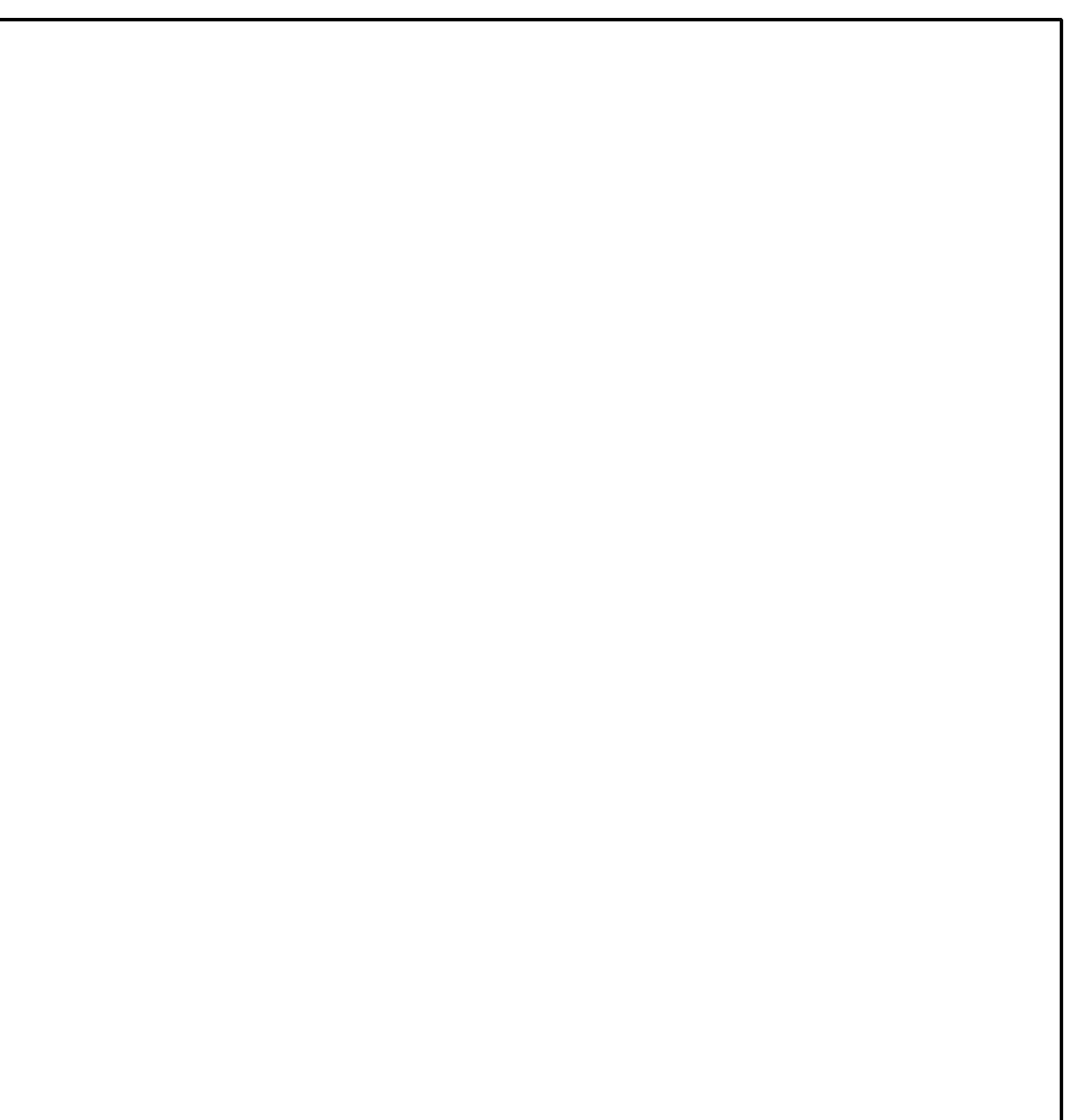
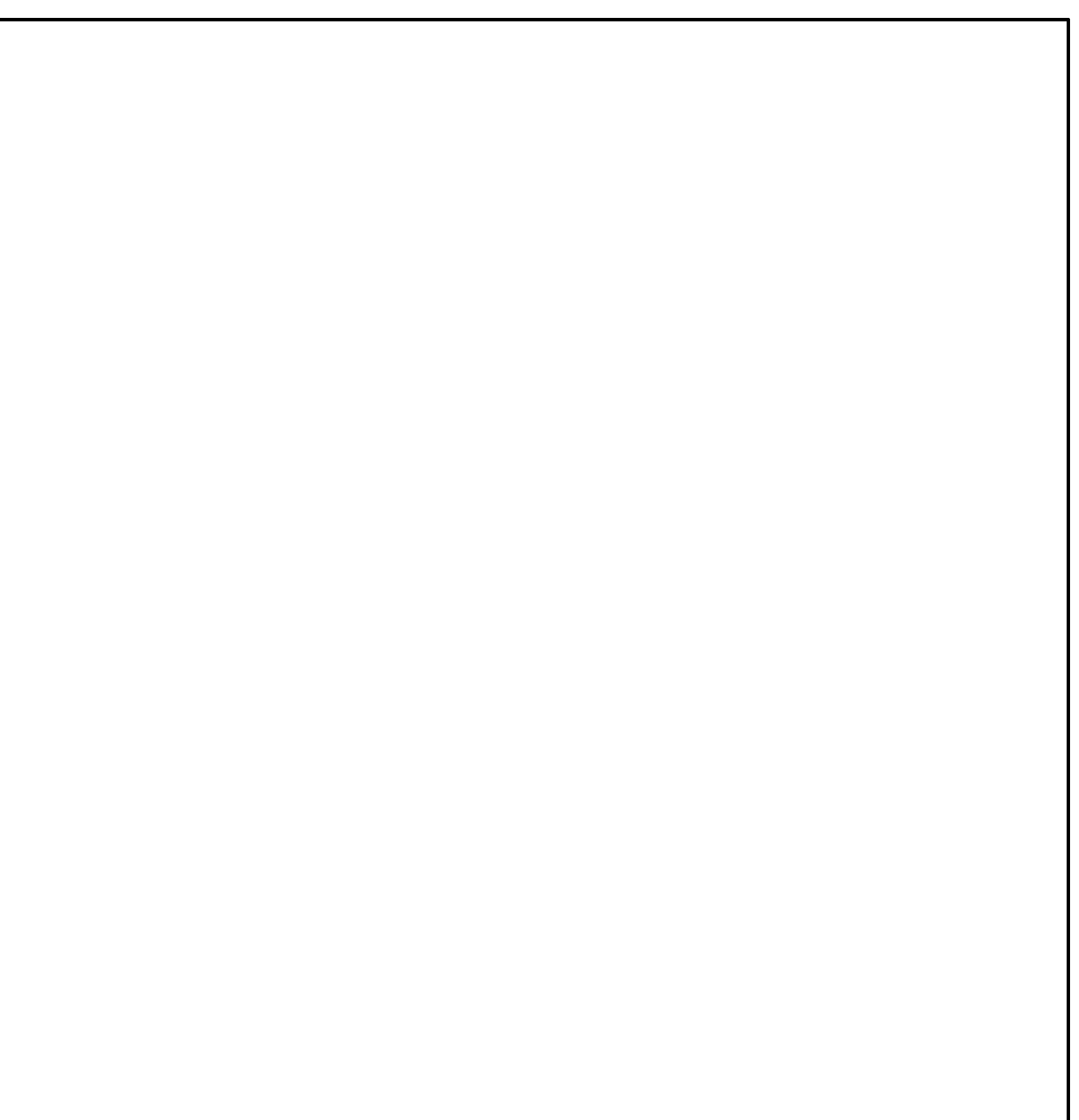
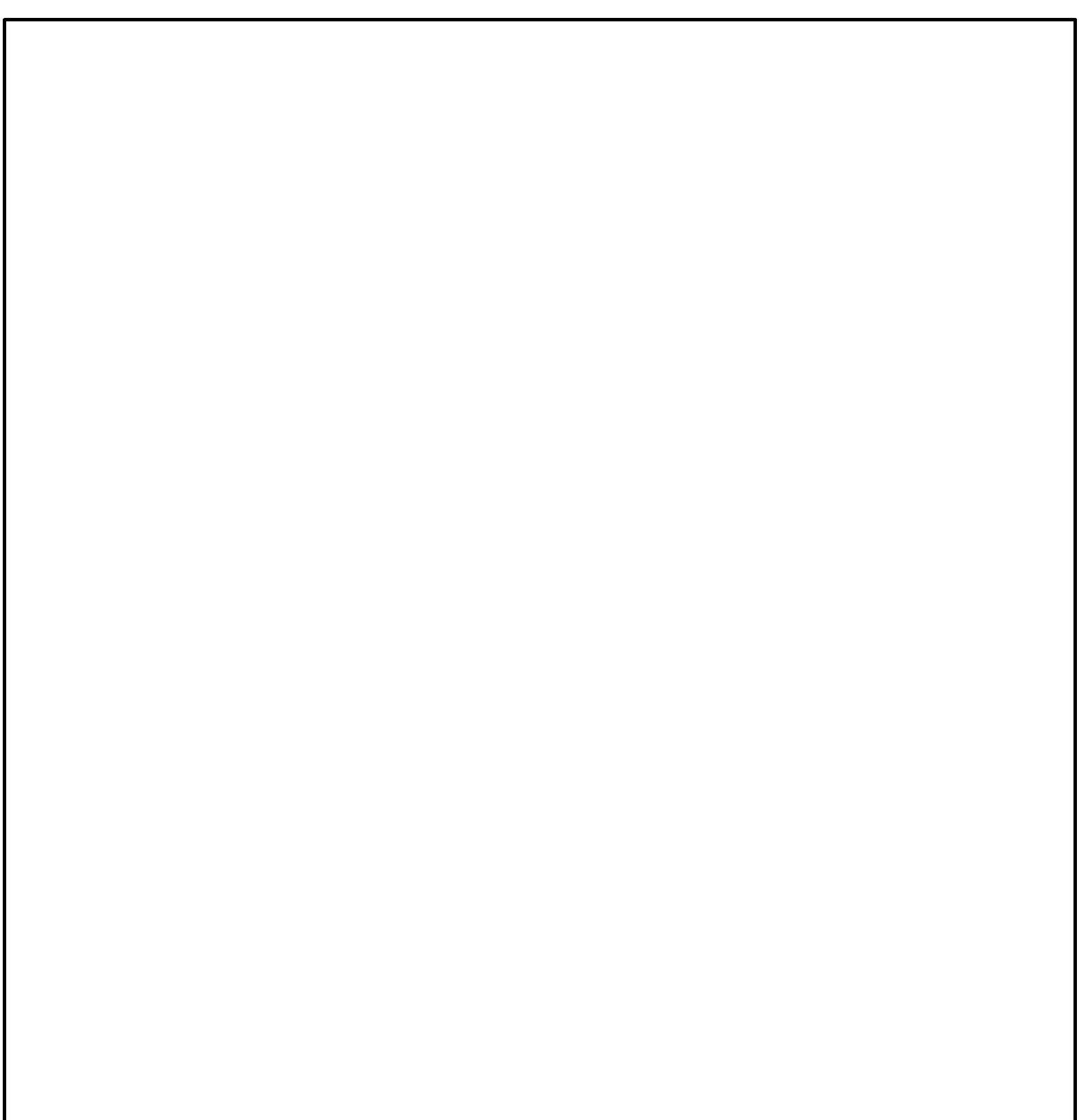
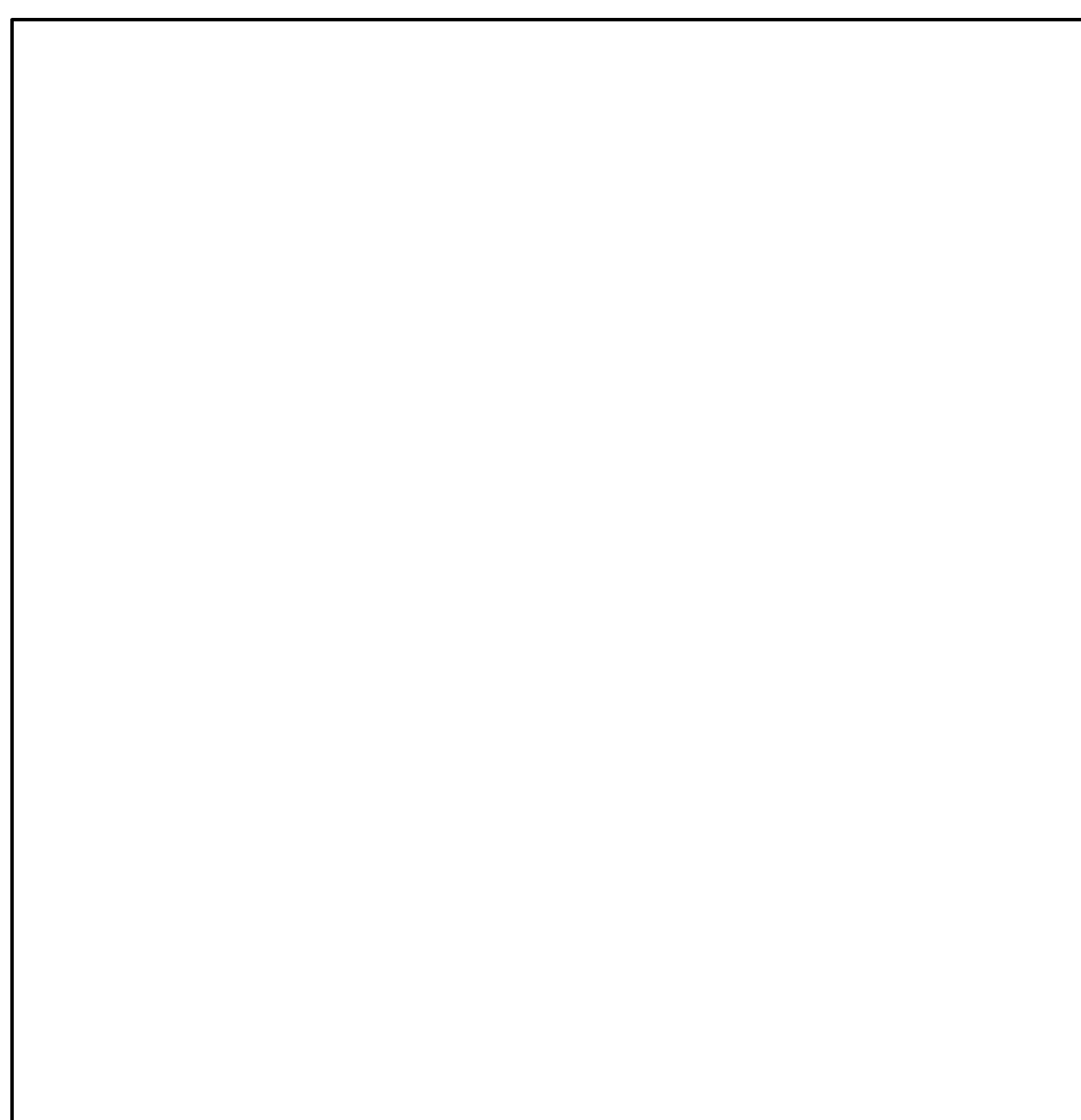
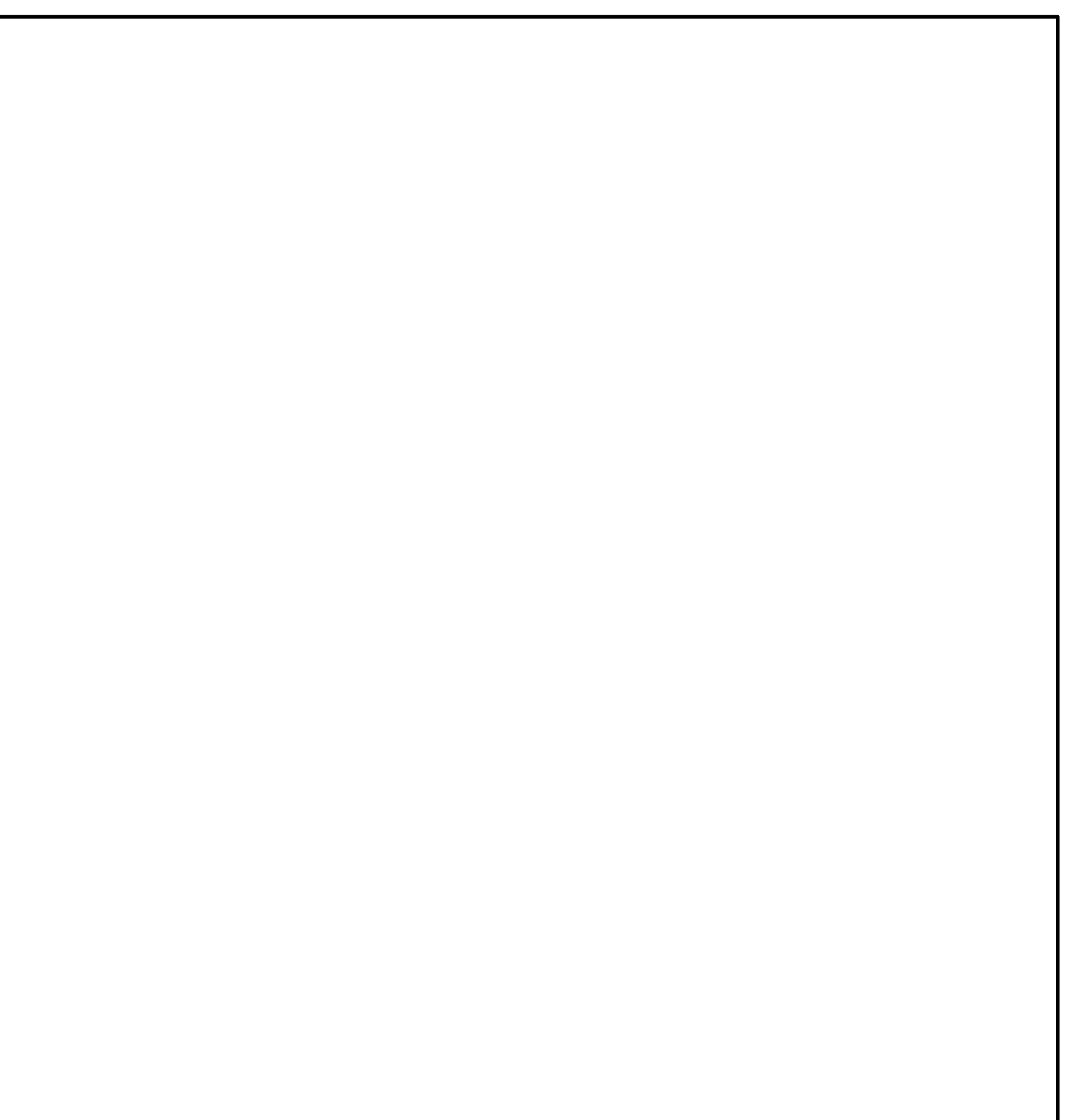
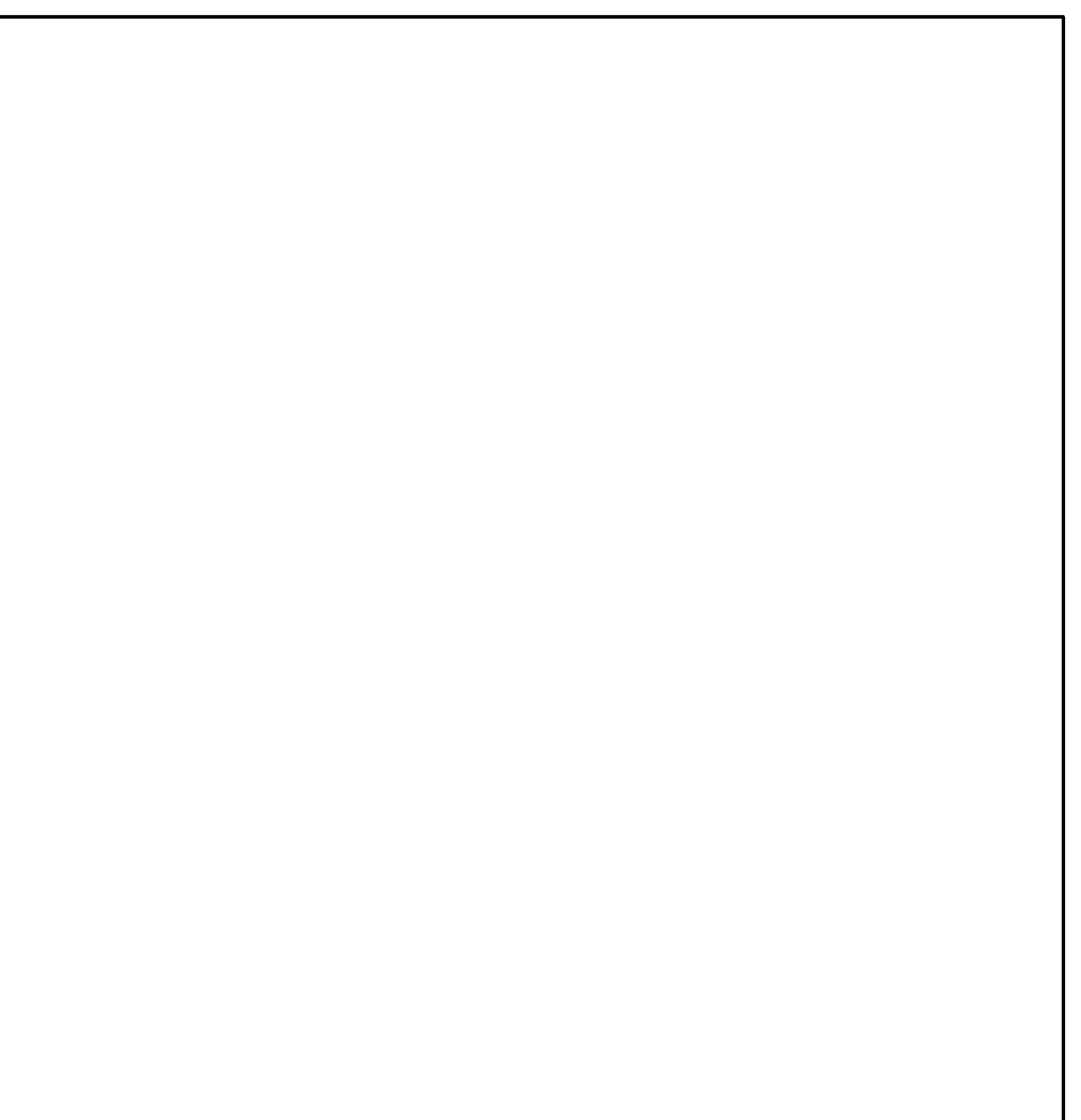
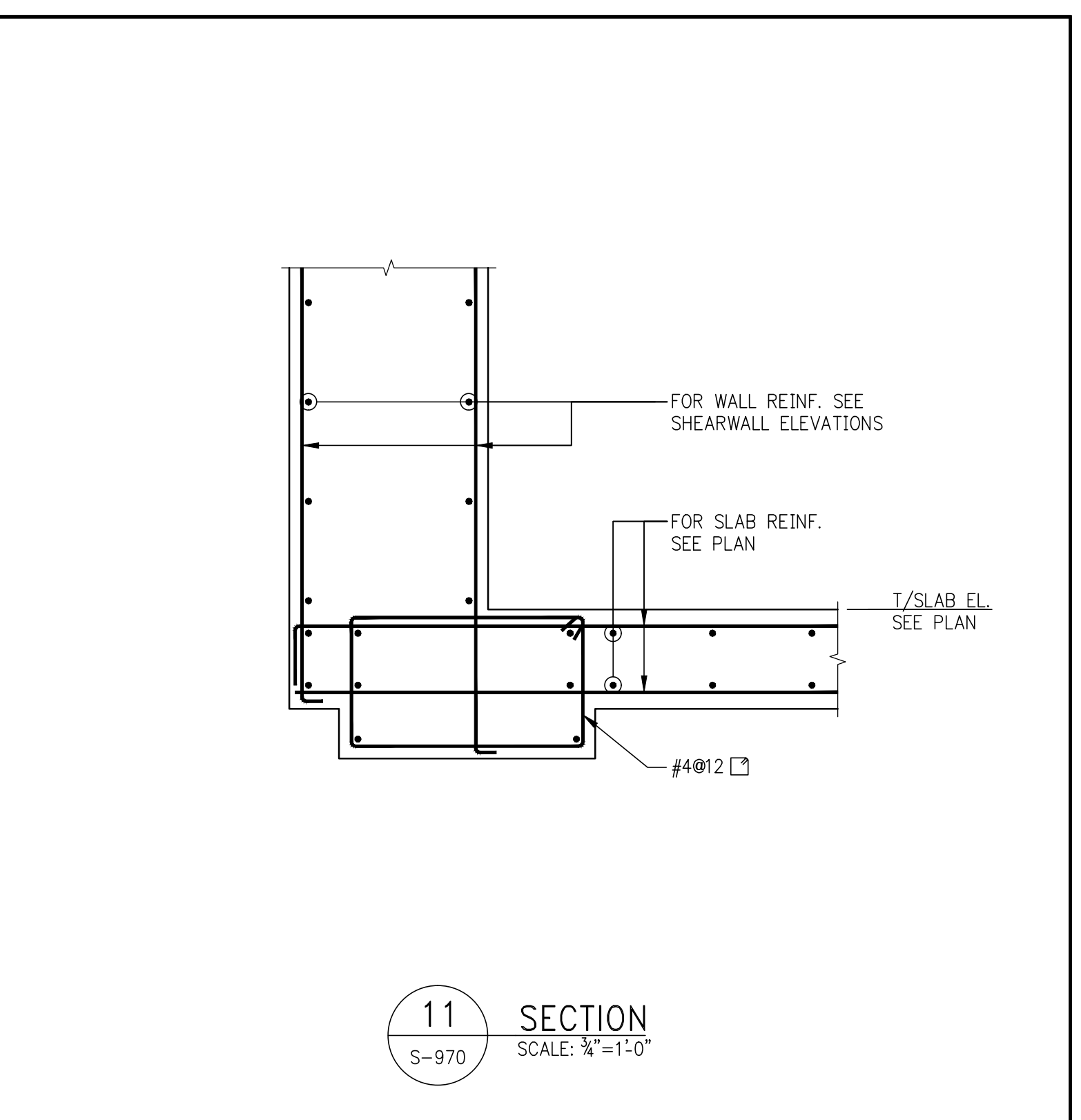
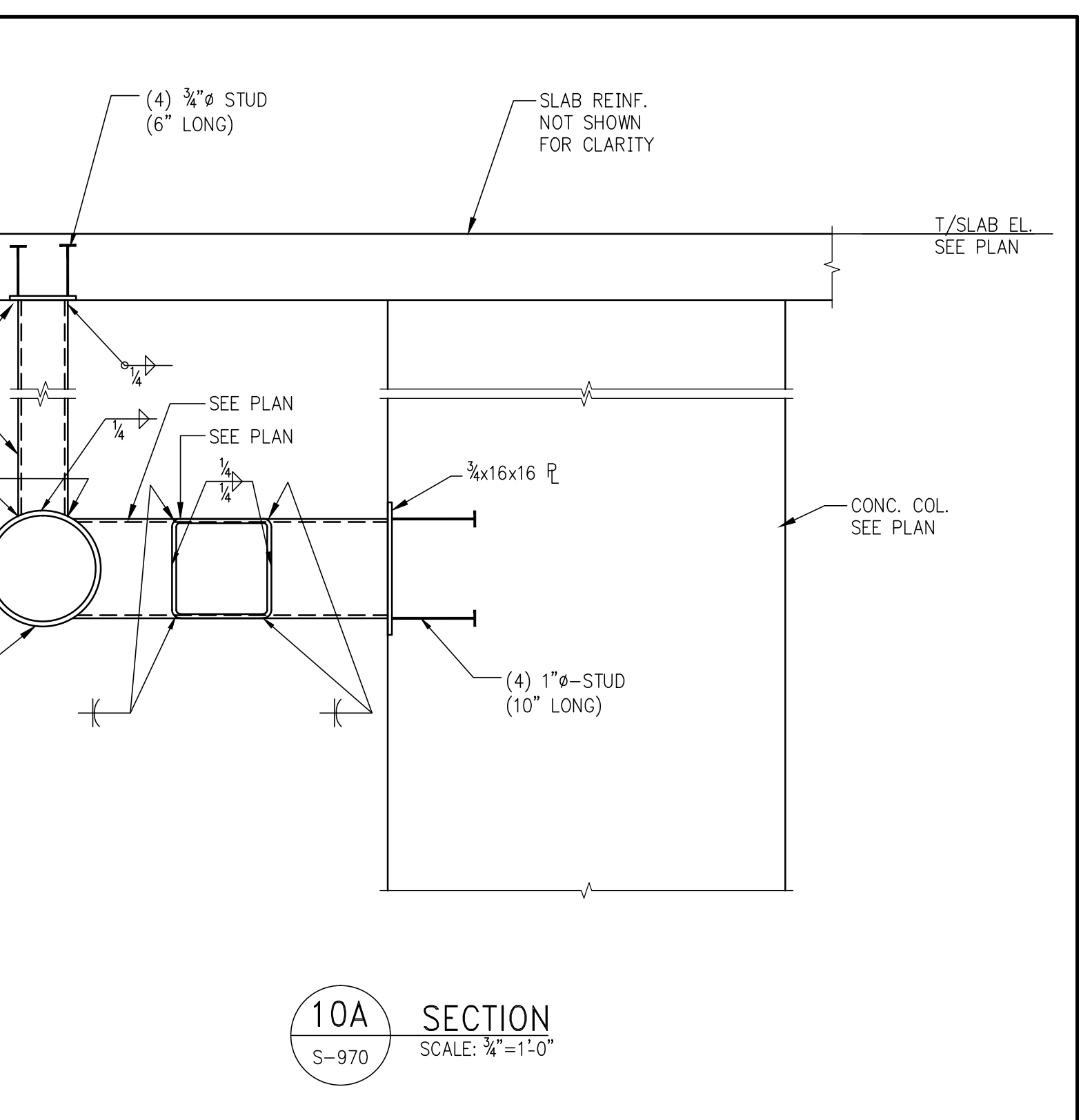
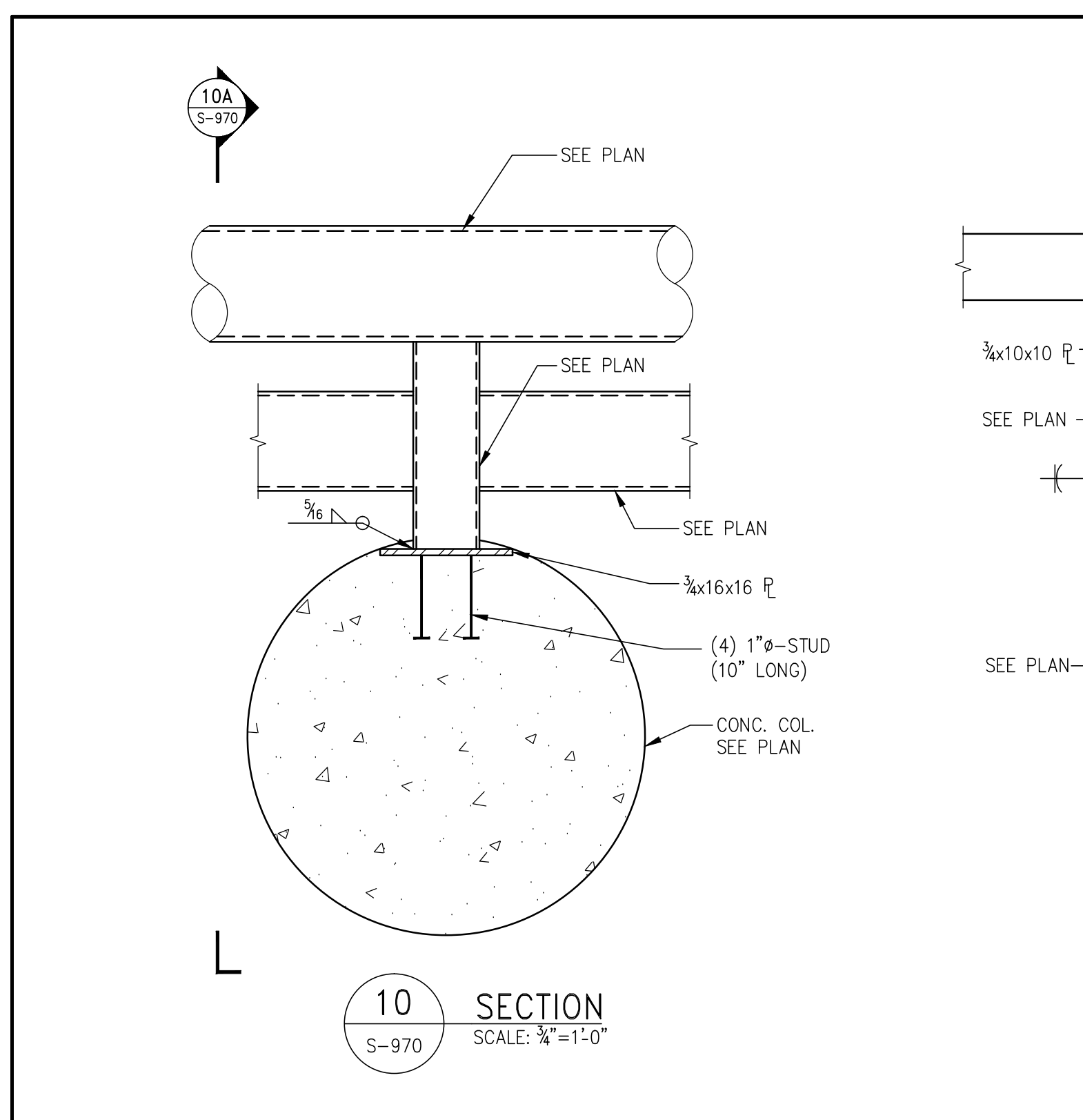
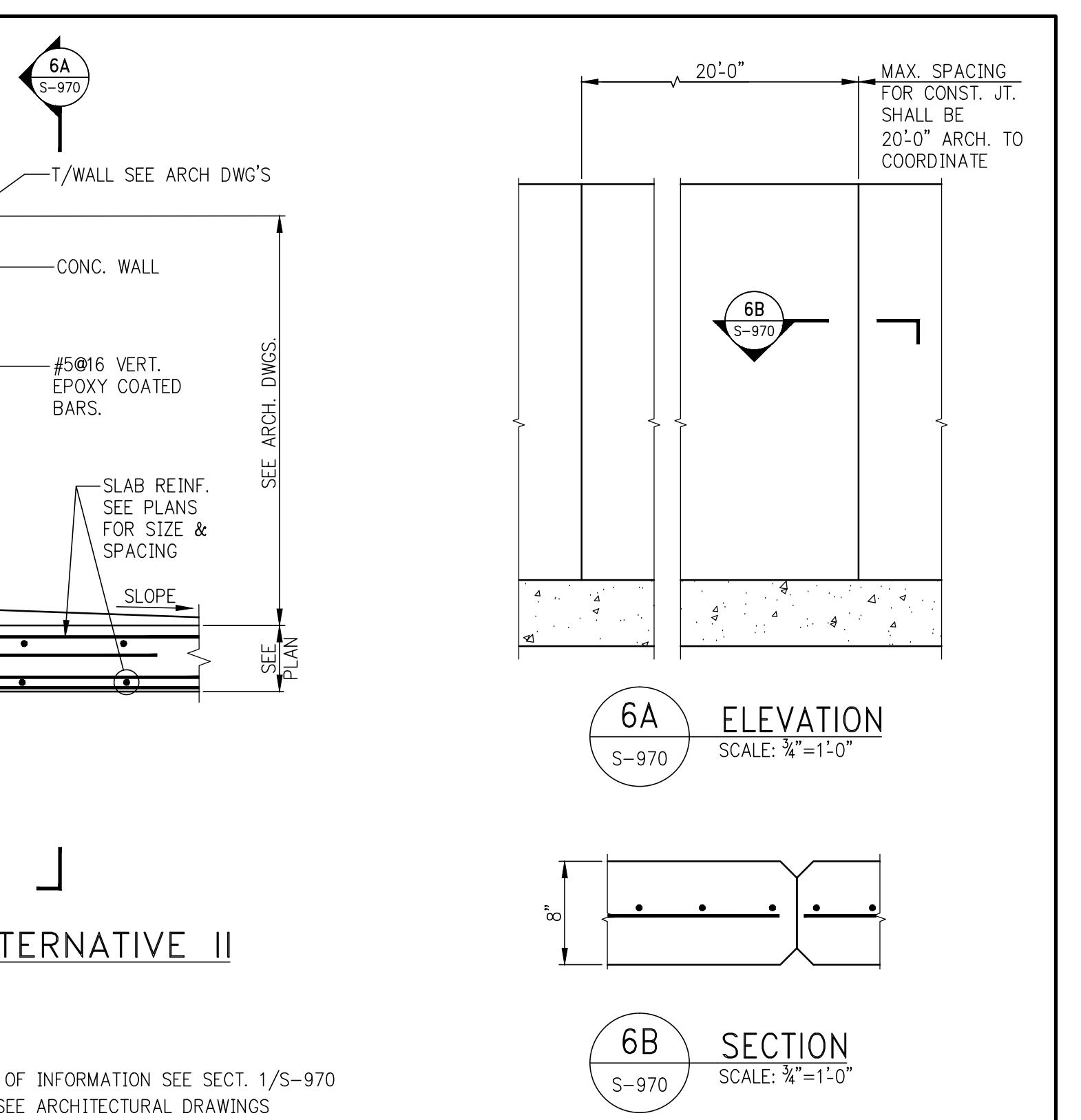
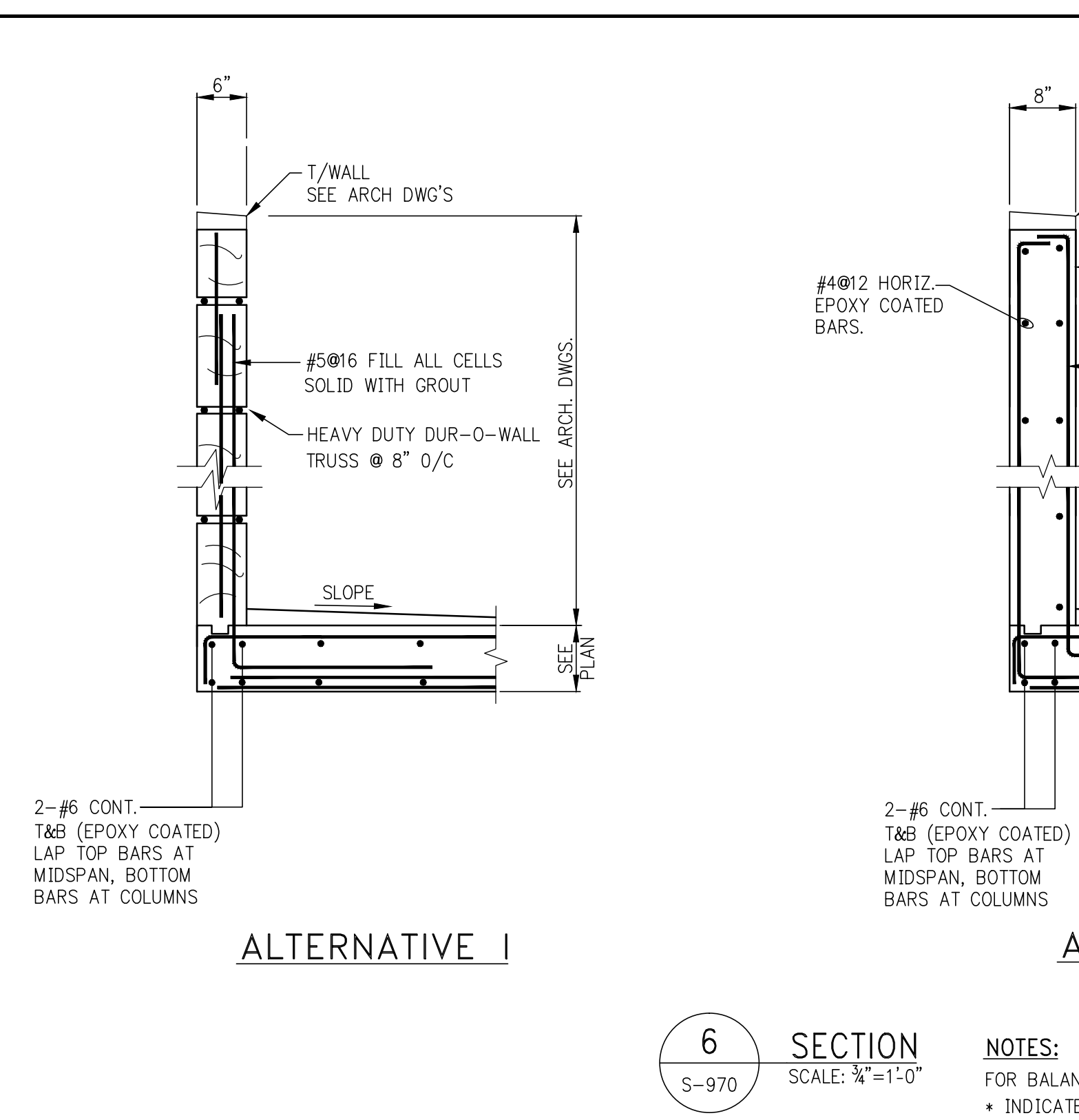
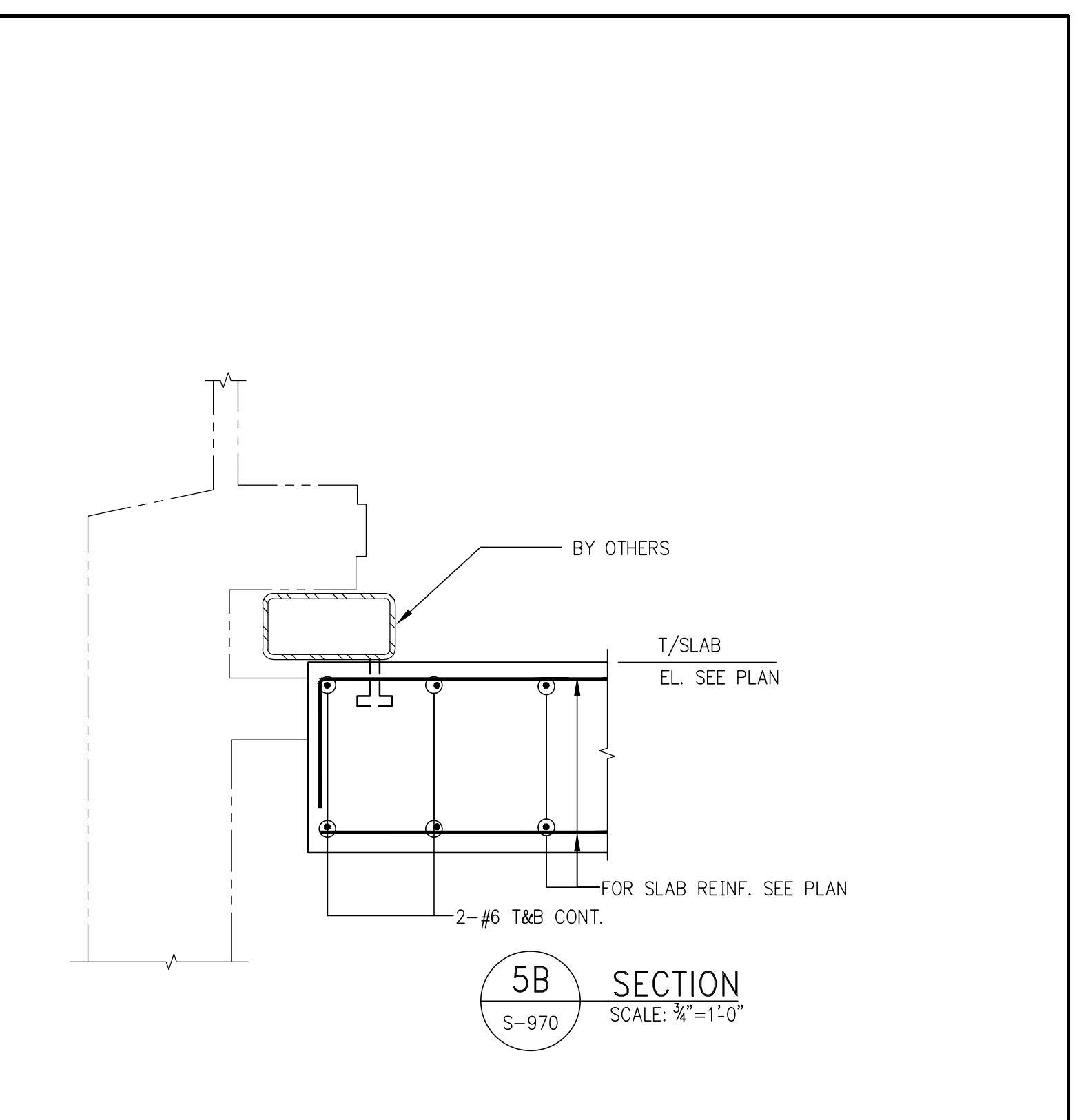
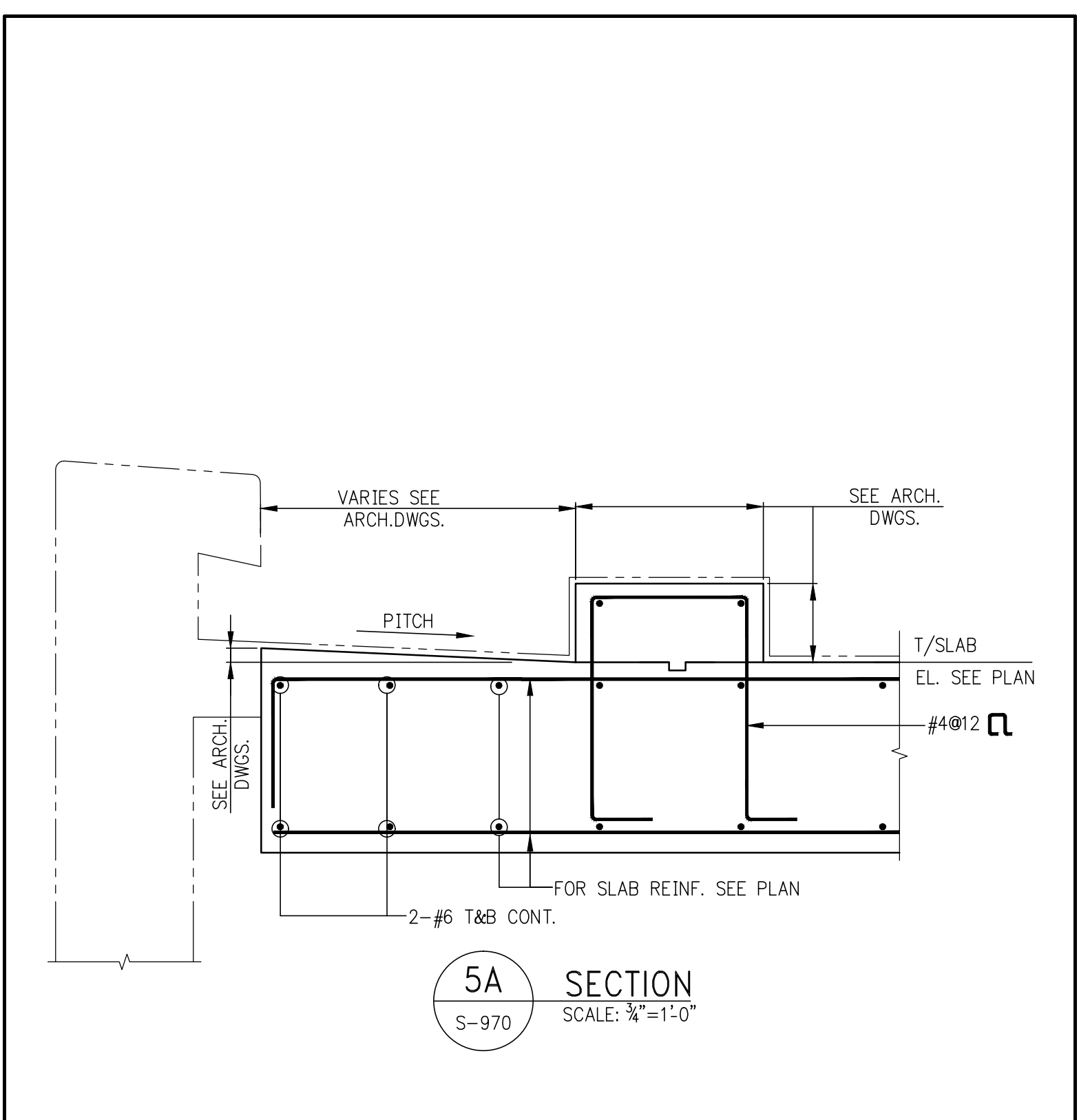
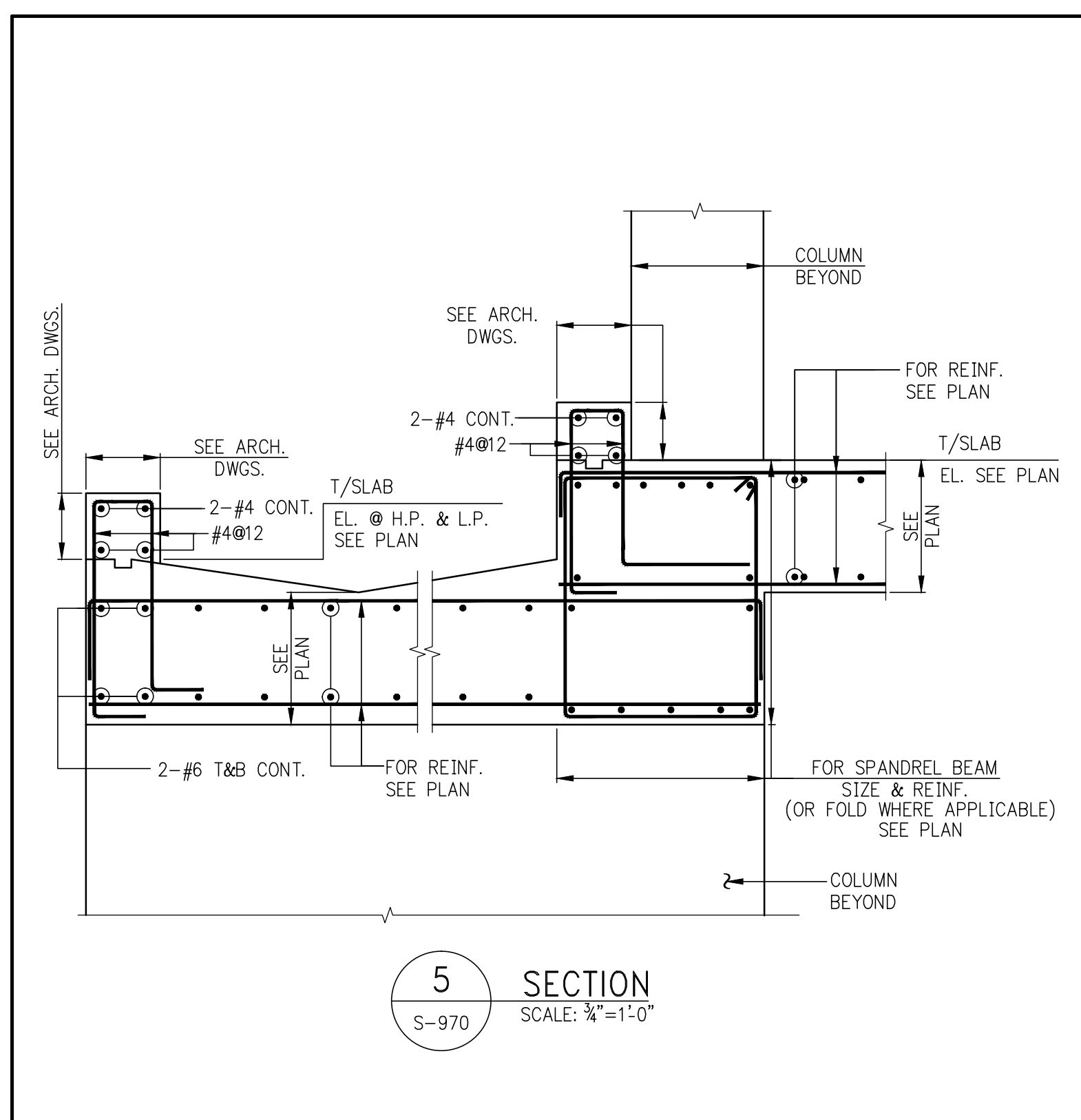
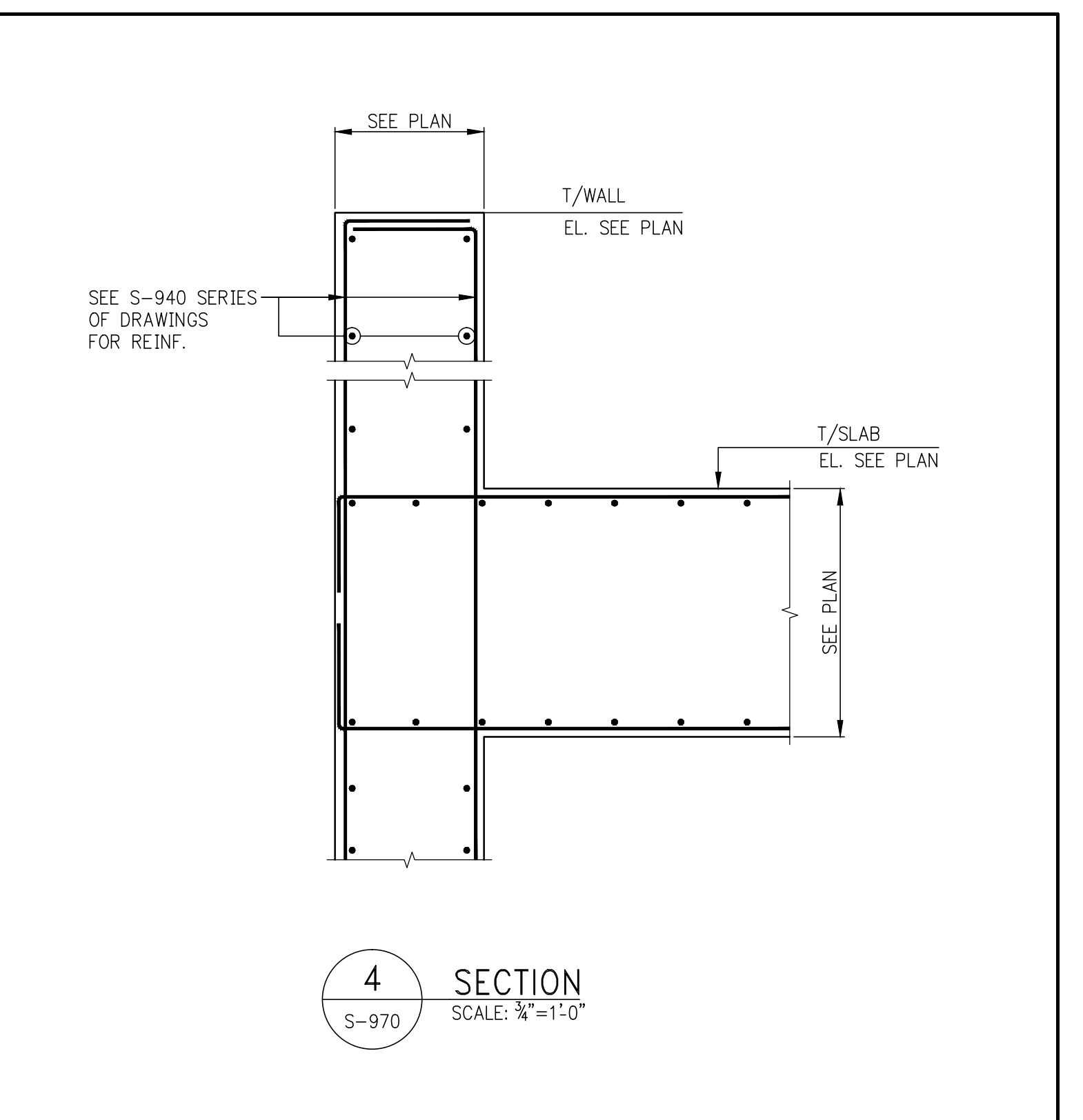
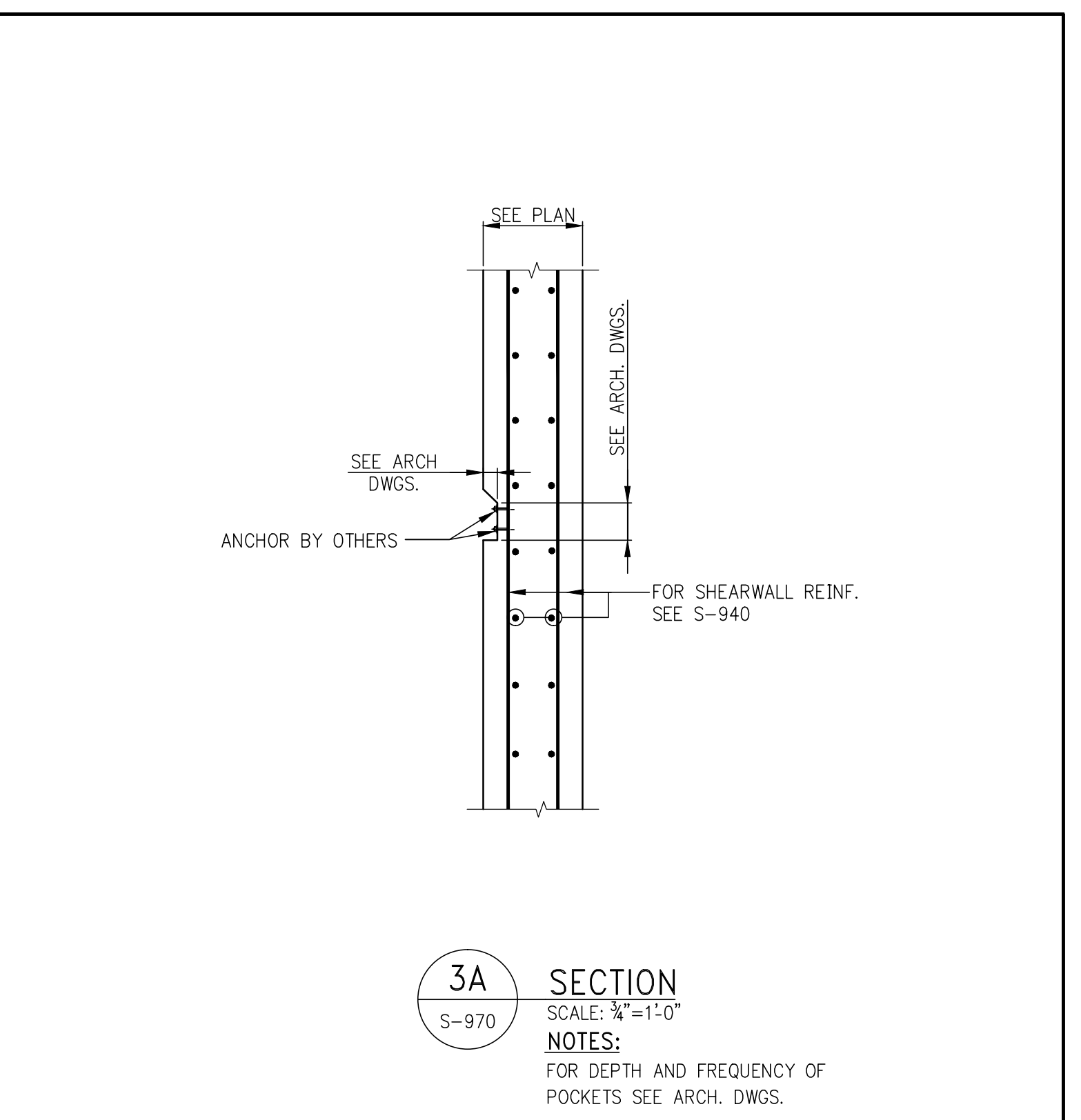
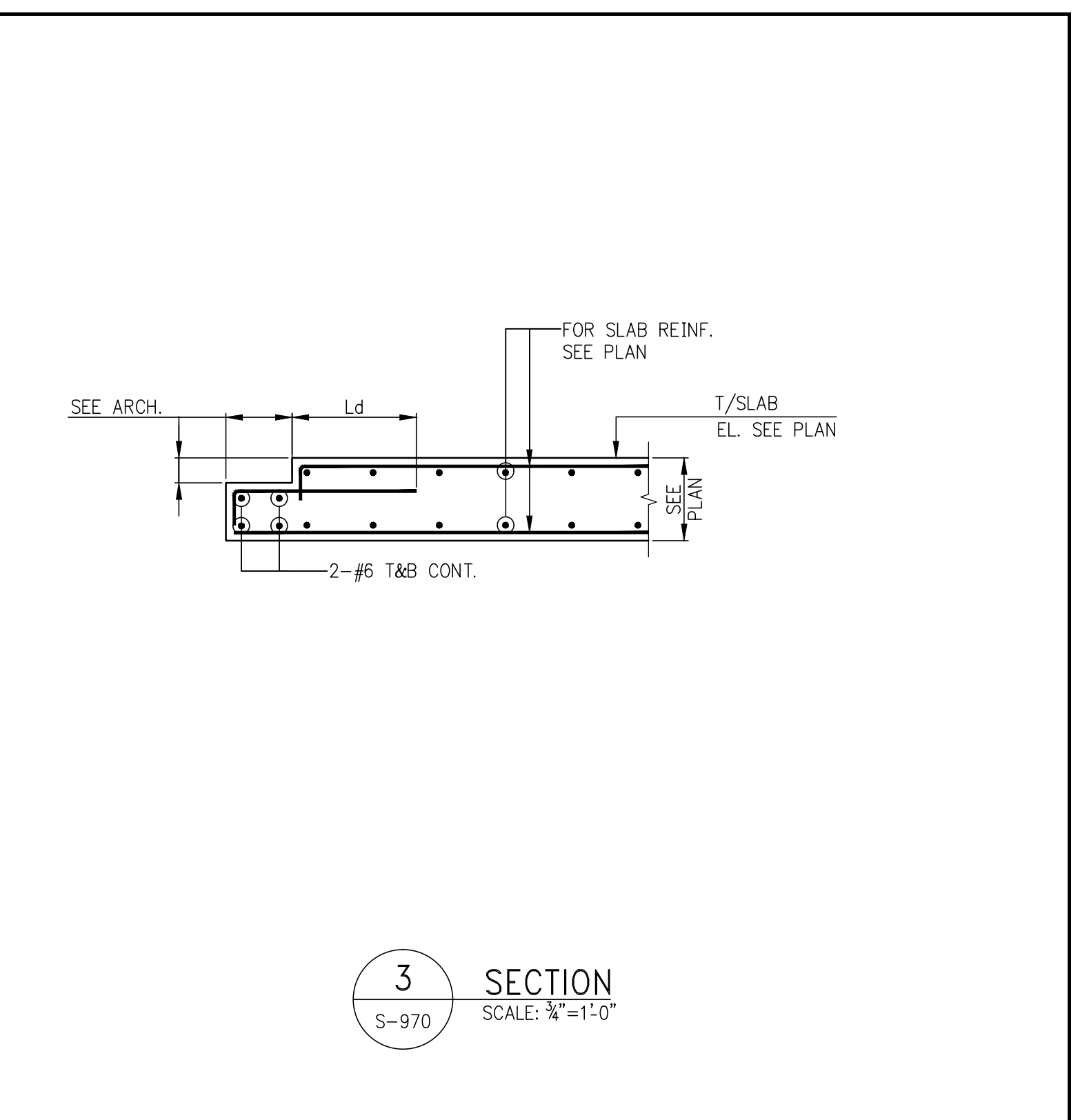
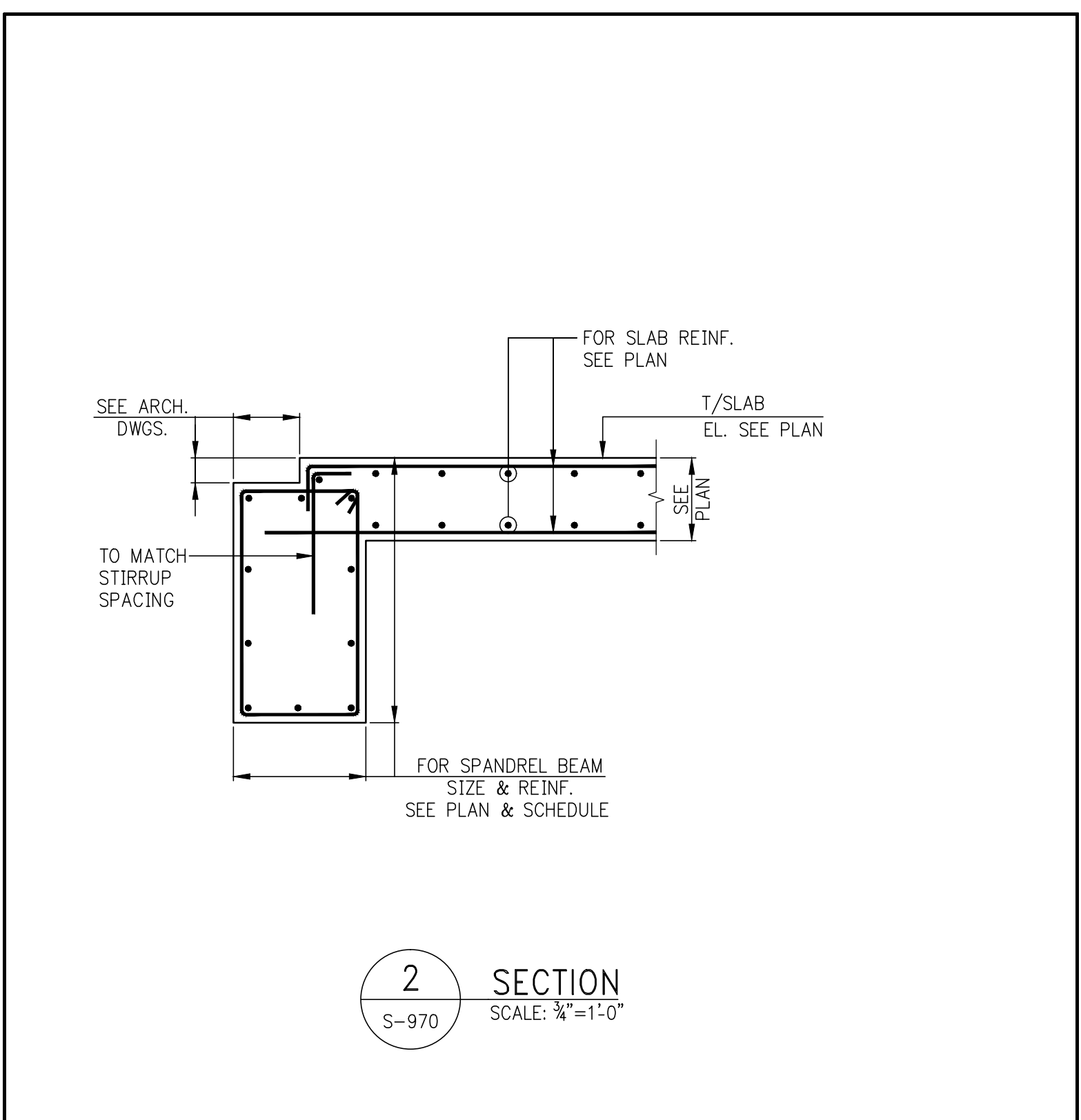
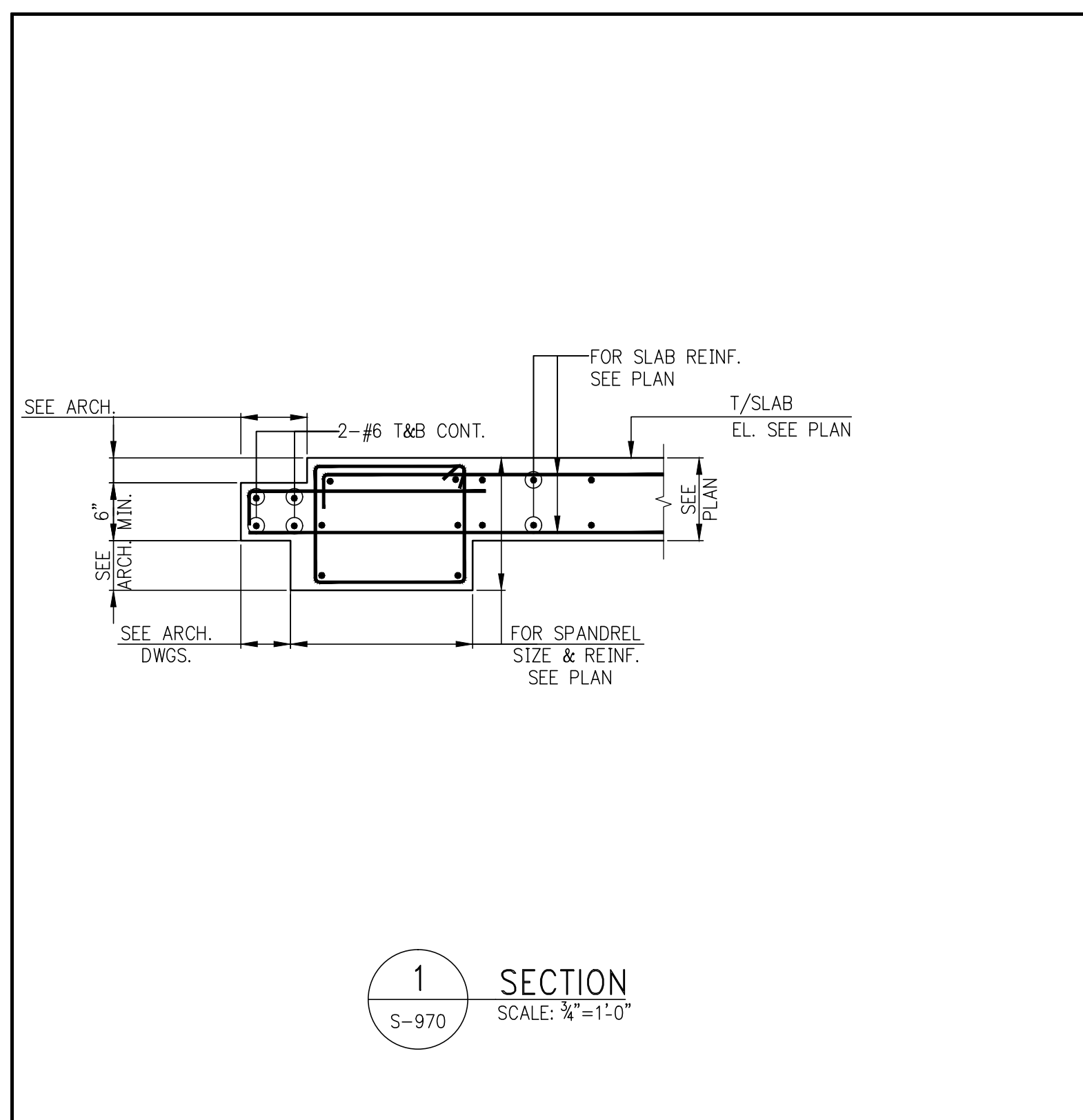


PROJECT:  
138 EAST 50TH STREET  
NEW YORK, N.Y.

DRAWING TITLE:  
TYPICAL STEEL DETAIL III

SEAL & SIGNATURE:  
DATE: 05/14/2015  
PROJECT No.: 1590031  
DRAWN BY: CASO  
CHECKED BY: CS  
DWG. No.: S-968.00  
SHEET No.: of 0





PROJECT:  
138 EAST 50TH ST.  
NEW YORK, NY

OWNER/DEVELOPER:  
CERUZZI PROPERTIES, LLC  
400 PARK AVENUE, 5th FLOOR  
NEW YORK, NY 10022  
TEL: (212) 300-1700

ARCHITECT OF RECORD:  
SLCEArchitects, LLP  
1359 BROADWAY, 14th FLOOR  
NEW YORK, NY 10018  
TEL: (212) 979-8400  
FAX: (212) 979-8387

DESIGN ARCHITECT:  
Pelli Clarke Pelli Architects  
322 EIGHTH AVENUE  
NEW YORK, NY 10001  
TEL: (212) 417-9494  
FAX: (212) 417-9497

STRUCTURAL ENGINEER:  
WSP  
228 East 45th St.  
New York, NY 10017  
(212) 687-0888  
www.wspgroup.com/usa

M.E.P. ENGINEER:  
MGE  
118 West 120th Street, 12th Floor, New York, NY 10011  
TEL: (212) 929-5656  
FAX: (212) 929-5655  
www.mgepc.net

CIVIL ENGINEER:  
Philip Habis & Associates  
102 MADISON AVENUE, 11TH FLOOR  
NEW YORK, NEW YORK 10016  
TEL: (212) 929-5656  
FAX: (212) 244-4497

DOB EXPEDITOR:  
JAM Consultants, Inc.  
104 WEST 29th STREET, 9th FLOOR  
NEW YORK, NEW YORK 10001  
TEL: (212) 244-4497  
FAX: (212) 244-4497

VERTICAL TRANSPORTATION CONSULTANT:  
Jenkins & Huntington, Inc.  
1251 AVENUE OF THE AMERICAS  
NEW YORK, NEW YORK 10020  
TEL: (212) 696-1818  
FAX: (212) 696-4528

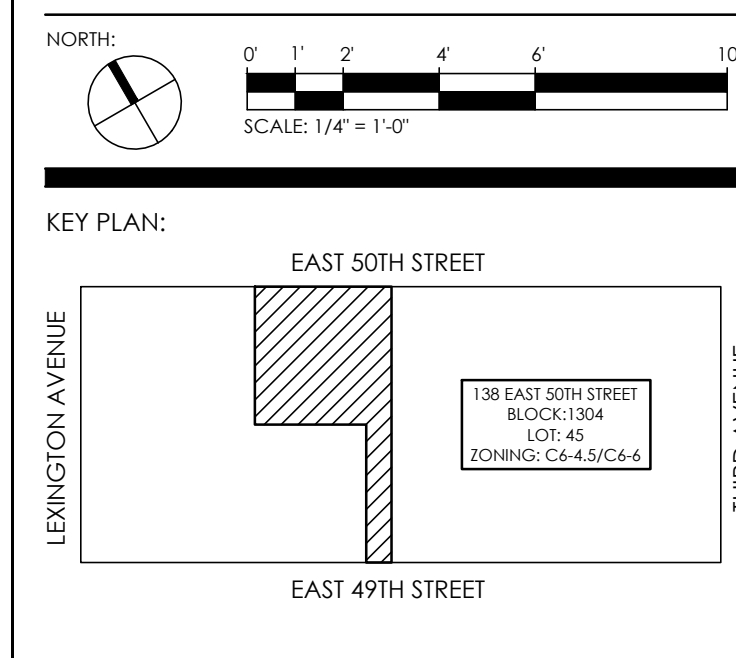
ZONING CONSULTANT:  
Development Consulting Services  
330 WEST 42ND STREET  
NEW YORK, NEW YORK 10036  
TEL: (212) 714-0285  
FAX: (212) 714-0283

EXTERIOR WALL CONSULTANT:  
Vidaris, Incorporated  
340 PARK AVENUE SOUTH, 15TH FL.  
NEW YORK, NEW YORK 10010  
TEL: (212) 689-3389

Marguerite Baril, R.A.  
APPROVED  
Under Directive 2 of 1975  
REVISED/RENEWED/RETRACTED  
Date: 08/26/2016  
NYC Development Hub

DATE	REVISION
03-18-16	ISSUE TO DOB
02-10-16	REVISED SUPERSTRUCTURE
02-04-16	REVISED SUPERSTRUCTURE
11-17-15	REVISED SUPERSTRUCTURE FOR BID
10-23-15	REVISED FORM LEVELS
08-21-15	ADDITIONAL FLOORING SET
08-21-15	ISSUE FOR SUPERSTRUCTURE BID

DOB NUMBER:  
NB#



PROJECT:  
138 EAST 50TH STREET  
NEW YORK, N.Y.

DRAWING TITLE:  
SUPERSTRUCTURE SECTIONS

SEAL & SIGNATURE:  
DATE: 05/14/2015  
PROJECT No.: 199031  
DRAWN BY: CASD  
CHECKED BY: CS  
DWG. No.: S-970.00  
SHEET No.: 0 of 0

PROJECT:  
138 EAST 50TH ST.  
NEW YORK, NY

OWNER/DEVELOPER:  
CERUZZI PROPERTIES, LLC  
400 PARK AVENUE, 5th FLOOR  
NEW YORK, NY 10022  
TEL: (212) 900-1700

ARCHITECT OF RECORD:  
SLCEArchitects, LLP  
1359 BROADWAY, 14th FLOOR  
NEW YORK, NY 10018  
TEL: (212) 979-8400  
FAX: (212) 979-8387

DESIGN ARCHITECT:  
Pelli Clarke Pelli Architects

STRUCTURAL ENGINEER:  
WSP  
228 East 45th St.  
New York, NY 10017  
(212) 687-9888  
www.wspgroup.com/usa

M.E.P. ENGINEER:  
MGE  
115 West 32nd Street, 12th Floor, New York, NY 10001  
TEL: (212) 929-5656  
FAX: (212) 417-9497

CIVIL ENGINEER:  
Philip Habib & Associates  
102 MADISON AVENUE, 11th FLOOR  
NEW YORK, NEW YORK 10016  
TEL: (212) 929-5656  
FAX: (212) 929-5655

DOB EXPEDITOR:  
JAM Consultants, Inc.  
104 WEST 29th STREET, 9th FLOOR  
NEW YORK, NEW YORK 10001  
TEL: (212) 244-4427  
FAX: (212) 244-4497

VERTICAL TRANSPORTATION CONSULTANT:  
Jenkins & Huntington, Inc.  
1251 AVENUE OF THE AMERICAS  
NEW YORK, NEW YORK 10020  
TEL: (212) 496-1818  
FAX: (212) 696-4528

ZONING CONSULTANT:  
Development Consulting Services  
330 WEST 42ND STREET  
NEW YORK, NEW YORK 10036  
TEL: (212) 714-0282  
FAX: (212) 714-0283

EXTERIOR WALL CONSULTANT:  
Vidaris, Incorporated  
340 PARK AVENUE SOUTH, 15th FL.  
NEW YORK, NEW YORK 10010  
TEL: (212) 689-3389

REVISIONS:

05-18-18	ISSUE TO DOB
02-18-18	REVISED SUPERSTRUCTURE
02-03-18	REVISED SUPERSTRUCTURE
11-17-15	REVISED SUPERSTRUCTURE FOR BID
09-15-15	ADDITIONAL 1 FLOOR SET
08-03-15	ISSUE FOR SUPERSTRUCTURE BID

DATE: REVISION:

DOB NUMBER:

SCALE: 1/4" = 1'-0"

KEY PLAN:

PROJECT:

DRAWING TITLE:

138 EAST 50TH STREET  
NEW YORK, N.Y.

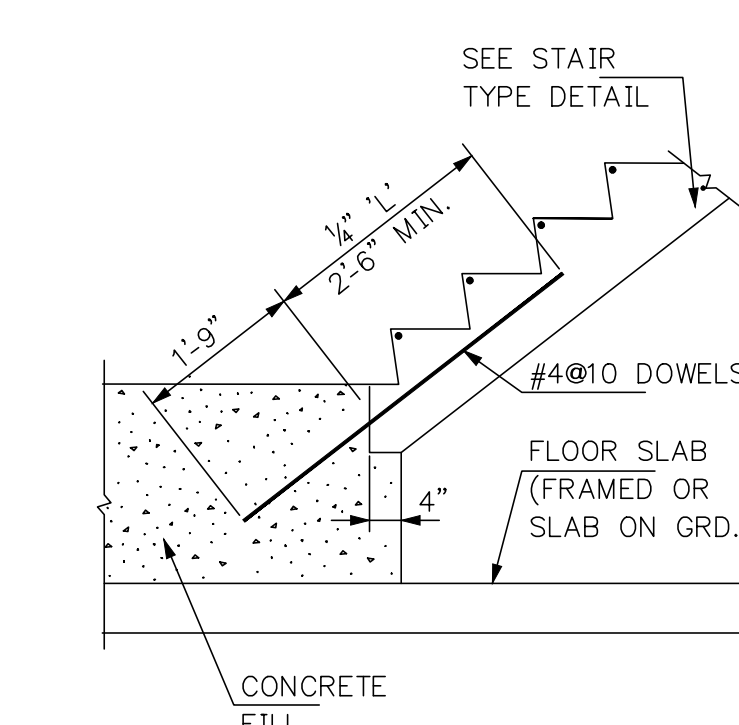
S-980.00

DATE: 05/14/2015  
PROJECT No.: 1590031  
DRAWN BY: CASO  
CHECKED BY: CS

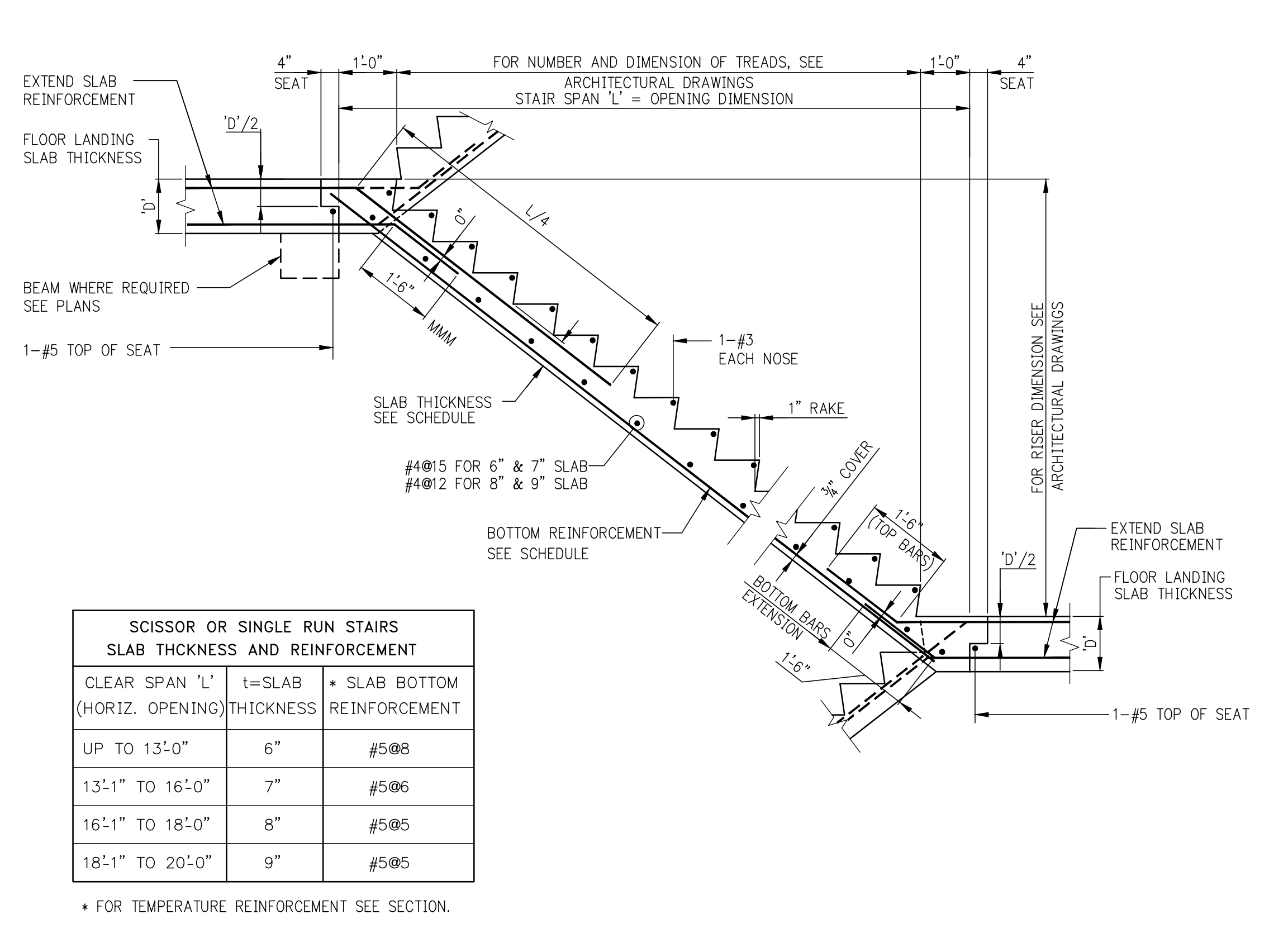
SEAL & SIGNATURE:

FILE No.: 150498231.000.0101 (04/20/15) (04/20/15) (04/20/15)

SHEET No.: of 0



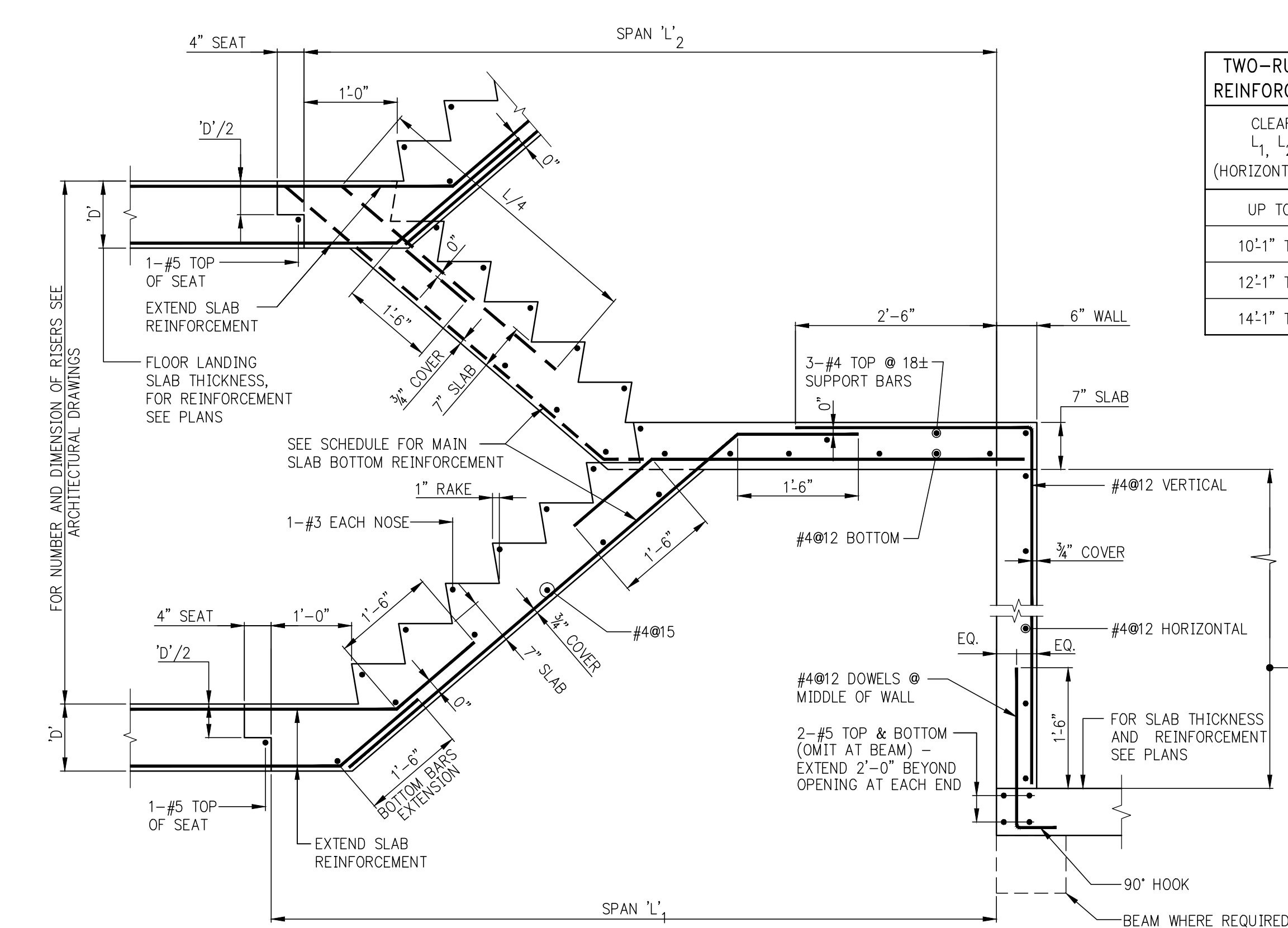
DETAIL AT START OF STAIR ON FILL



SCISSOR OR SINGLE RUN STAIRS SLAB THICKNESS AND REINFORCEMENT			
CLEAR SPAN L <sub>1</sub> (HORIZ. OPENING)	1-SLAB THICKNESS	SLAB BOTTOM REINFORCEMENT	
UP TO 13'-0"	6"	#5@8	
13'-1" TO 16'-0"	7"	#5@6	
16'-1" TO 18'-0"	8"	#5@5	
18'-1" TO 20'-0"	9"	#5@5	

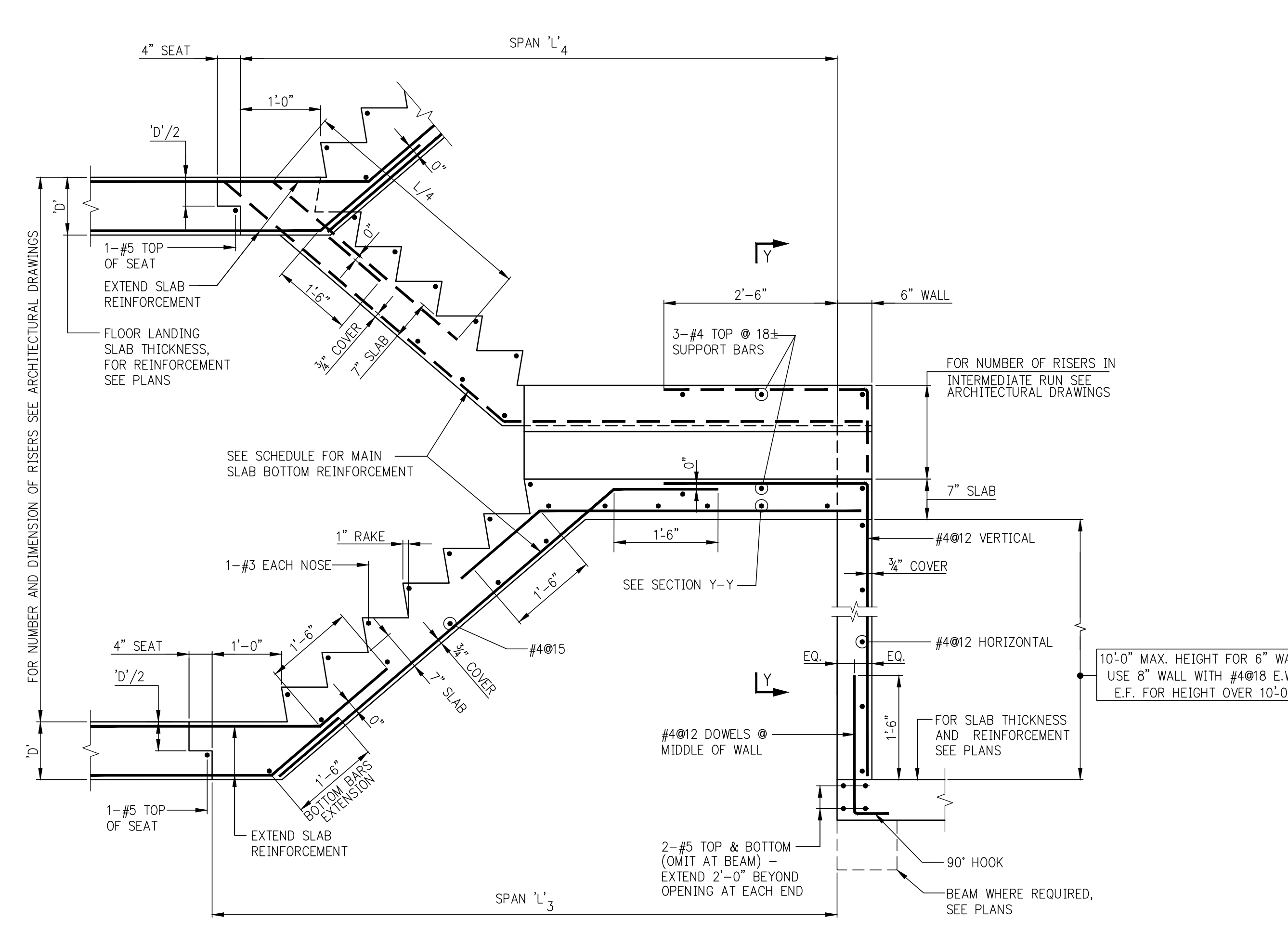
\* FOR TEMPERATURE REINFORCEMENT SEE SECTION.

SCISSOR OR SINGLE RUN STAIR  
FOR FLOOR REINFORCEMENT EXTENDED INTO STAIR  
SLAB, SEE FRAMING PLANS.

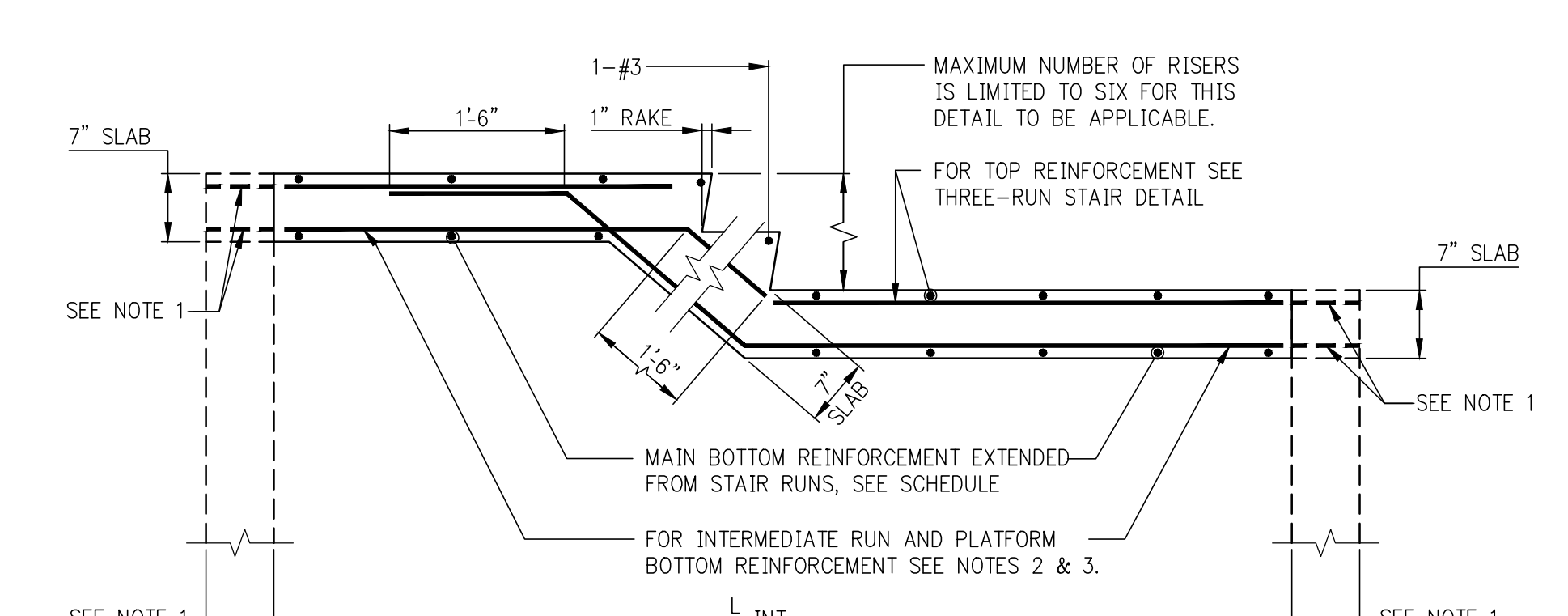


TWO-RUN OR THREE-RUN STAIRS REINFORCEMENT FOR SLAB "T" = 7"	
CLEAR SPAN L <sub>1</sub> , L <sub>2</sub> , L <sub>3</sub> , L <sub>4</sub> (HORIZONTAL OPENING)	SLAB MAIN BOTTOM REINFORCEMENT
UP TO 10'-0"	#4@8
10'-1" TO 12'-0"	#4@6
12'-1" TO 14'-0"	#5@8
14'-1" TO 16'-0"	#5@6

TWO-RUN STAIR

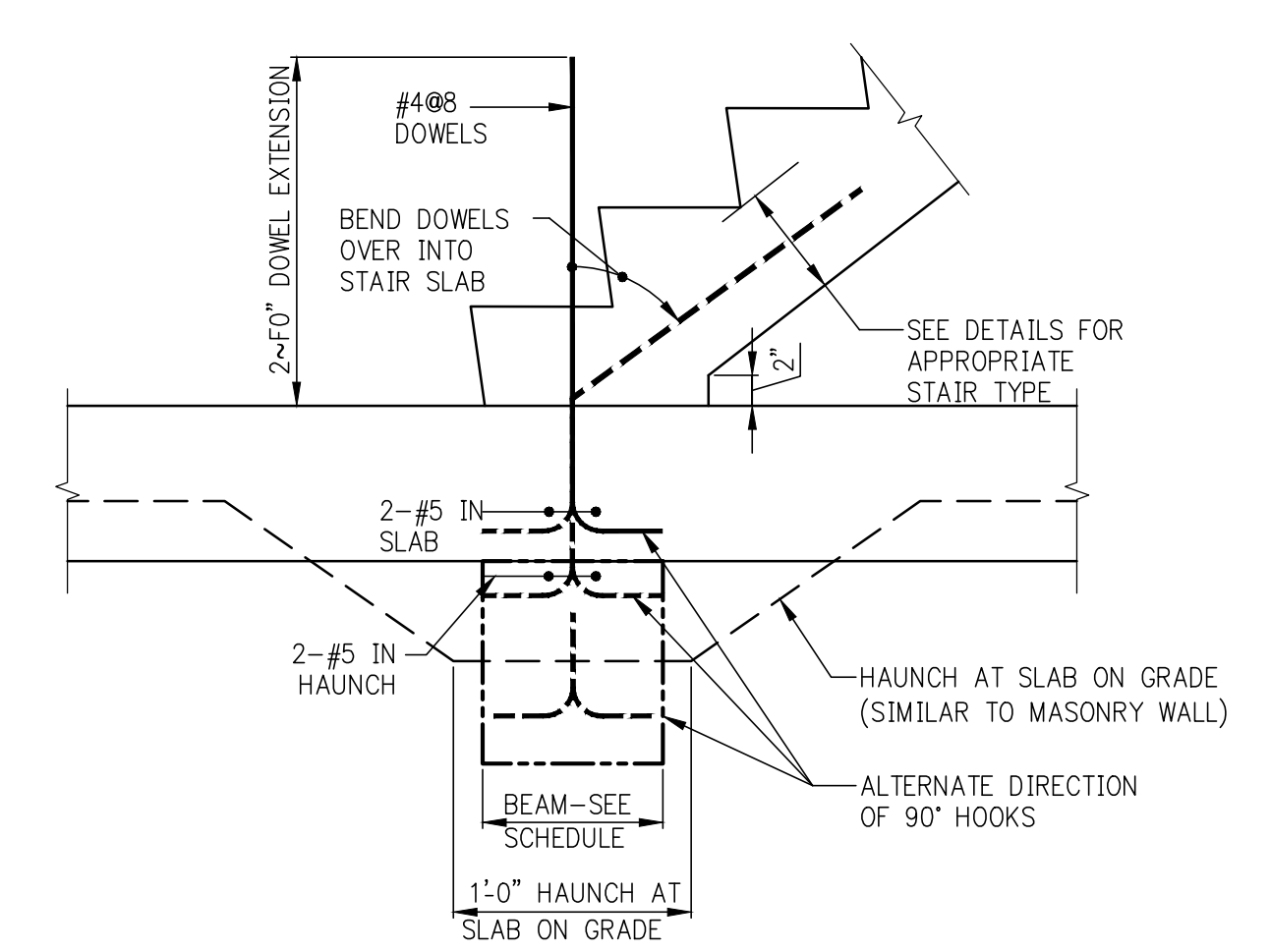


THREE-RUN STAIR

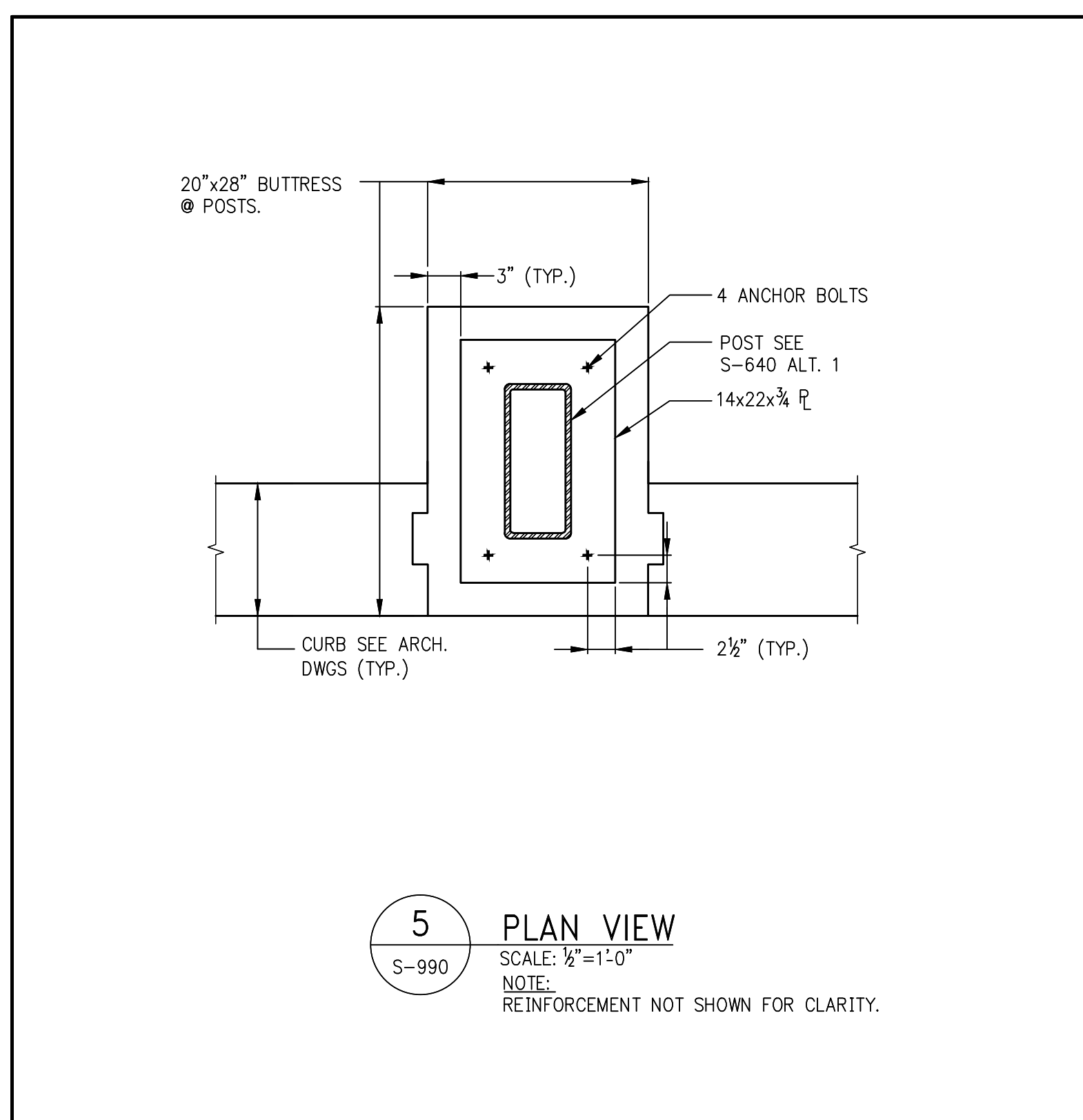
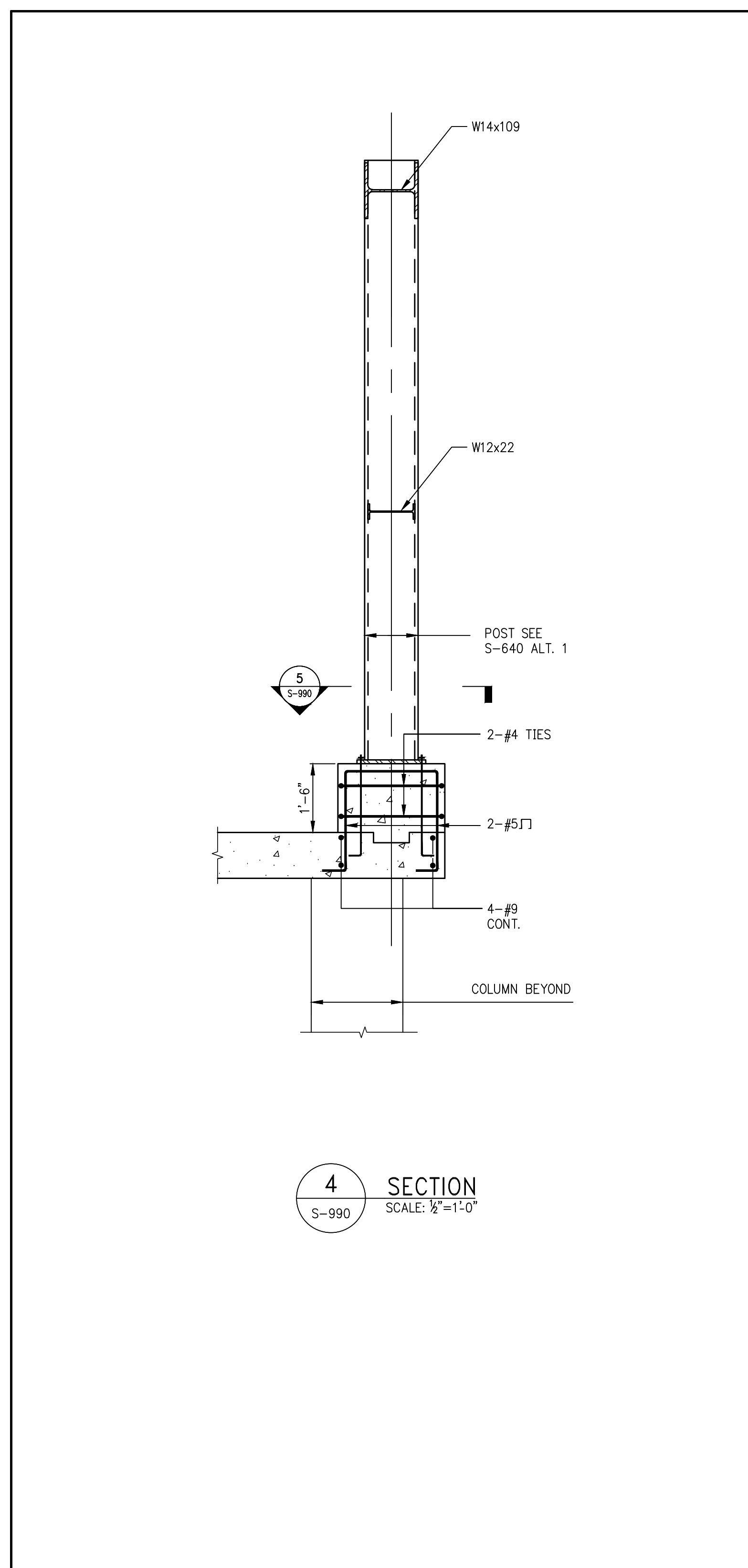
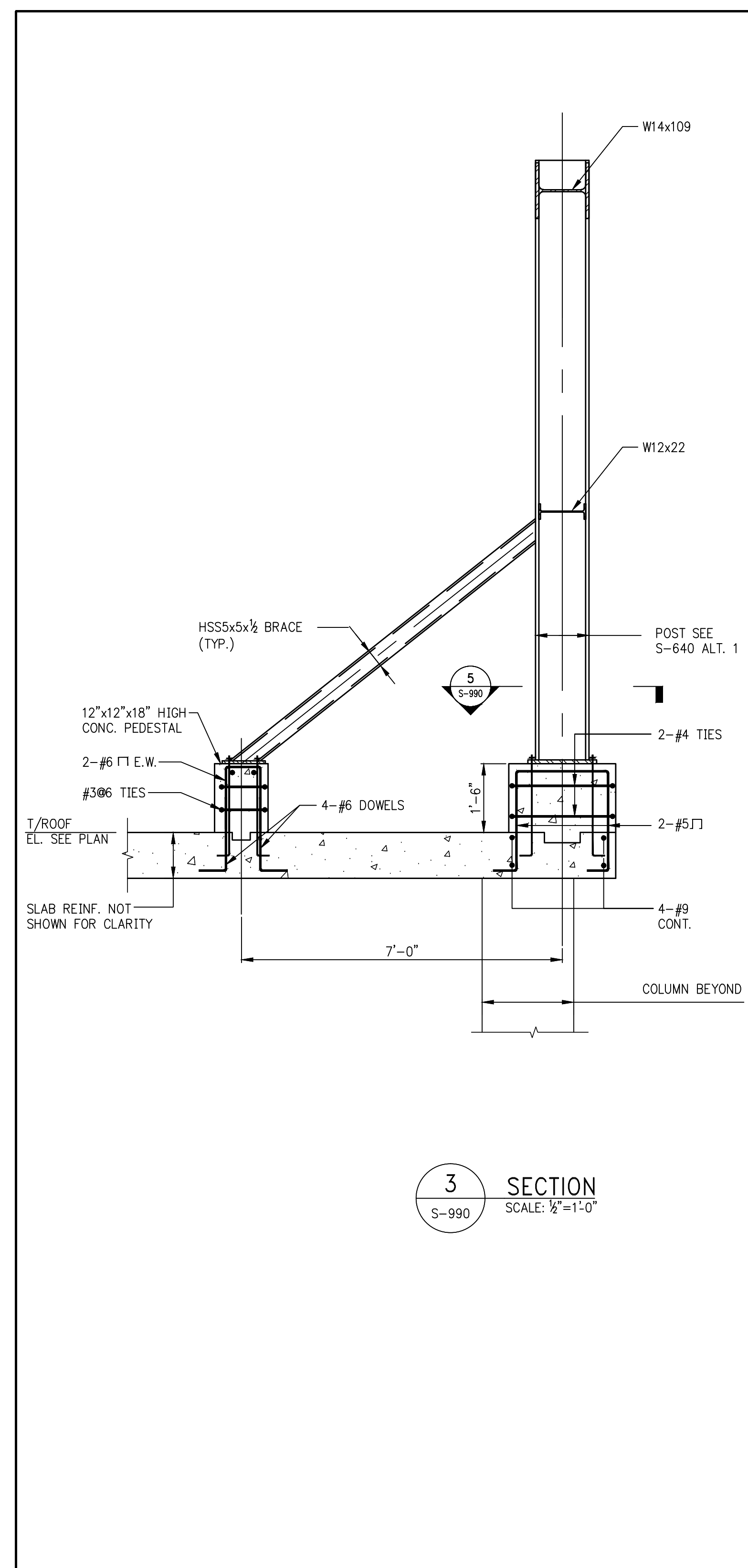
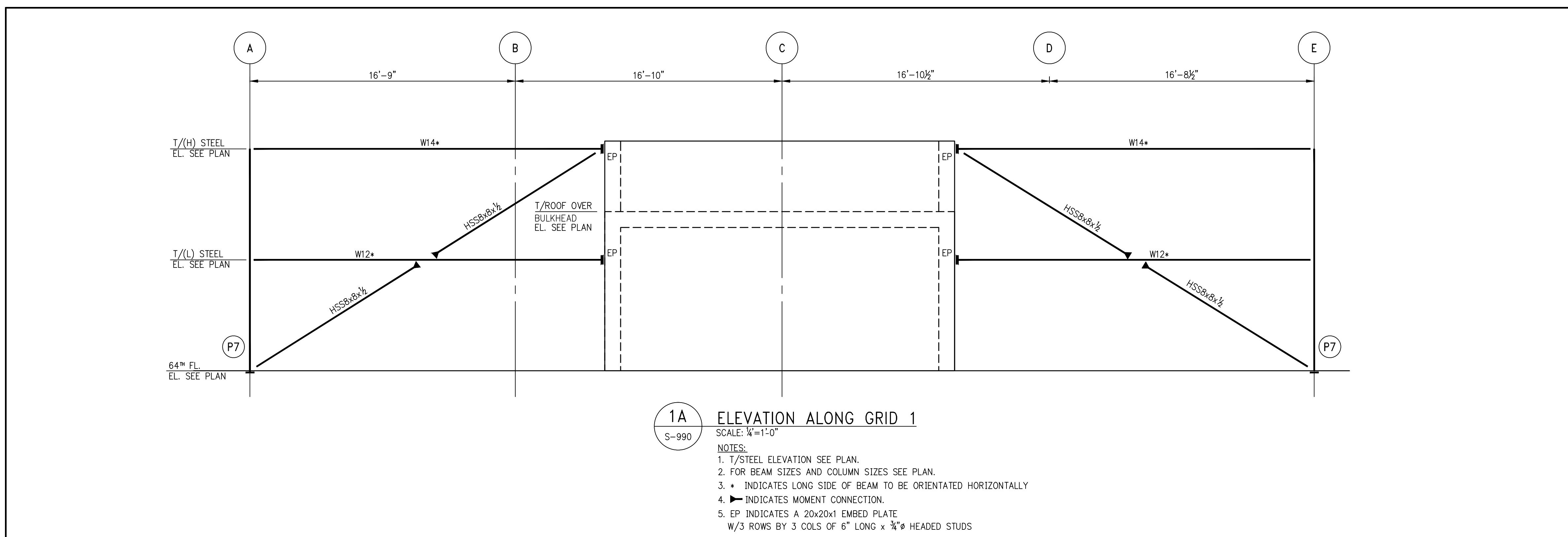
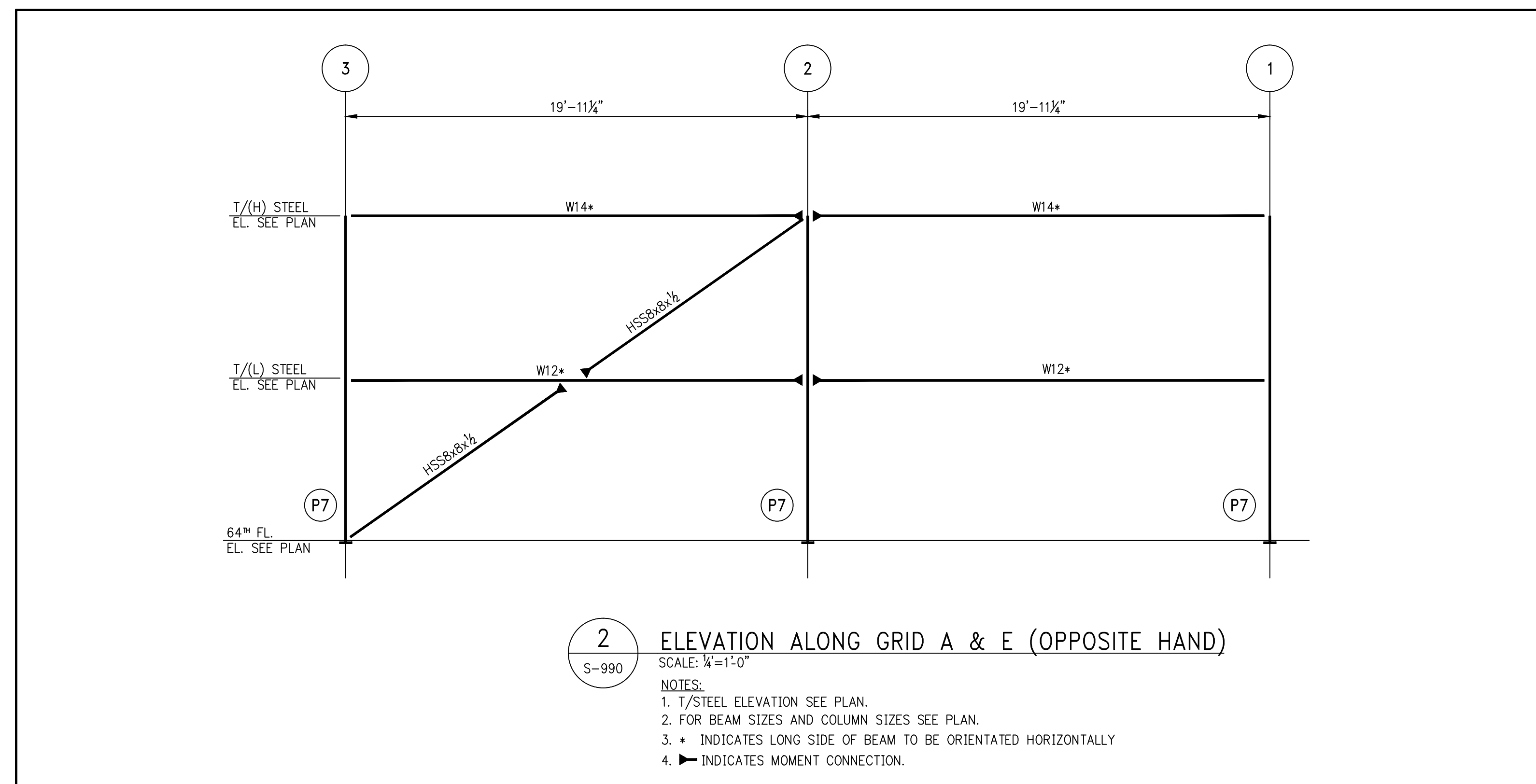
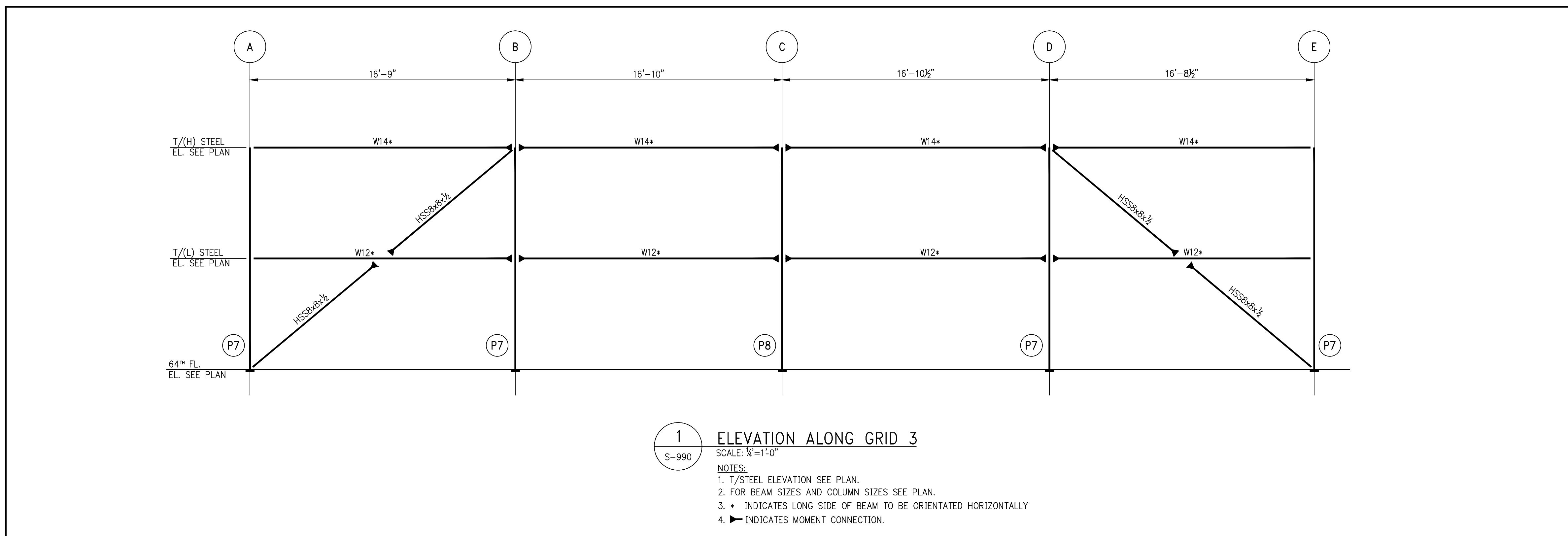


SECTION Y-Y  
(AT THREE-RUN STAIR)

- NOTES:
- EXTEND SLAB AND REINFORCEMENT OVER SUPPORT WALLS WHERE WALLS ARE SHOWN ON PLANS.
  - WHERE L<sub>INT</sub> IS NOT SUPPORTED AT ENDS, PROVIDE:  
#4@12 BOTTOM
  - WHERE L<sub>INT</sub> IS SUPPORTED, PROVIDE:  
#4@8 FOR L<sub>INT</sub> UP TO 10'-0"  
#4@6 FOR L<sub>INT</sub> BETWEEN 10'-1" AND 12'-0".  
FOR L<sub>INT</sub> SPANNING MORE THAN 12'-0",  
DESIGNER TO PROVIDE DETAILS.



BOTTOM OF STAIR-NO SLAB OPENING



PROJECT:  
**138 EAST 50TH ST.  
NEW YORK, NY**

OWNER/DEVELOPER:  
**CERUZZI PROPERTIES, LLC**  
400 PARK AVENUE, 5TH FLOOR  
NEW YORK, NY 10022  
TEL: (212) 300-1700

ARCHITECT OF RECORD:  
**SLCEArchitects, LLP**  
1359 BROADWAY, 14TH FLOOR  
NEW YORK, NY 10018  
TEL: (212) 979-8400  
FAX: (212) 979-8387

DESIGN ARCHITECT:  
**Pelli Clarke Pelli Architects**  
322 EIGHTH AVENUE  
NEW YORK, NY 10001  
TEL: (212) 417-9494  
FAX: (212) 417-9497

STRUCTURAL ENGINEER:  
**WSP**  
228 East 45th St.  
New York, NY 10017  
(212) 687-9888  
www.wspgroup.com/usa

M.E.P. ENGINEER:  
**MGE**  
MGE Engineering D.P.C., Inc. an engineer success  
118 West 32nd Street, 12th Floor, New York, NY 10001  
P.O. BOX 10555 F 212 643 0550 www.mgepc.net

CIVIL ENGINEER:  
**Philip Habis & Associates**  
102 MADISON AVENUE, 11TH FLOOR  
NEW YORK, NEW YORK 10016  
TEL: (212) 929-5656  
FAX: (212) 929-5655

DOB EXPEDITOR:  
**JAM Consultants, Inc.**  
104 WEST 29TH STREET, 9TH FLOOR  
NEW YORK, NEW YORK 10001  
TEL: (212) 244-4427  
FAX: (212) 244-4497

VERTICAL TRANSPORTATION CONSULTANT:  
**Jenkins & Huntington, Inc.**  
1251 AVENUE OF THE AMERICAS  
NEW YORK, NEW YORK 10020  
TEL: (212) 696-1818  
FAX: (212) 696-4528

ZONING CONSULTANT:  
**Development Consulting Services**  
330 WEST 42ND STREET  
NEW YORK, NEW YORK 10036  
TEL: (212) 714-0285  
FAX: (212) 714-0283

EXTERIOR WALL CONSULTANT:  
**Vidaris, Incorporated**  
340 PARK AVENUE SOUTH, 15TH FL.  
NEW YORK, NEW YORK 10010  
TEL: (212) 689-3389

**Marguerite Baril, RA**  
APPROVED  
Under Directive 2 of 1975  
REVISED SUPERSTRUCTURE  
Date: 08/15/2015  
NYC Development Hub

03-18-16	ISSUE TO DOB
02-25-16	REVISED 10% STEEL FRAMING
02-25-16	10% STEEL ALTERNATE
02-10-16	REVISED SUPERSTRUCTURE
	DATE: REVISION:

DOB NUMBER:  
**NB#**

NOTES:  
SCALE: 1/4"=1'-0"

KEY PLAN:  
EAST 50TH STREET  
EAST 49TH STREET  
LENGUENCON AVENUE  
THIRD AVENUE

PROJECT:  
**138 EAST 50TH STREET  
NEW YORK, N.Y.**

DRAWING TITLE:  
**STEEL RING BEAM  
ELEVATION AND DETAILS**

SEAL & SIGNATURE:  
**WALTER L. BARIL**  
DATE: 05/14/2015  
PROJECT No.: 1990031  
DRAWN BY: CASO  
CHECKED BY: CS  
DWG. No.:  
**S-990.00**  
SHEET No.: of 0

FILE No.: 138East50thStreetSteelRingBeamElevation.dwg